



US00D630220S

(12) **United States Design Patent**  
**Zenri et al.**

(10) **Patent No.:** **US D630,220 S**  
(45) **Date of Patent:** **\*\* Jan. 4, 2011**

(54) **STYLUS PEN**

(75) Inventors: **Yuko Zenri**, Kyoto (JP); **Kochi Kawai**, Kyoto (JP)

(73) Assignee: **Nintendo Co., Ltd.**, Kyoto (JP)

(\*\*) Term: **14 Years**

(21) Appl. No.: **29/360,424**

(22) Filed: **Apr. 26, 2010**

(51) **LOC (9) Cl.** ..... **14-02**

(52) **U.S. Cl.** ..... **D14/411**

(58) **Field of Classification Search** ..... D8/61;  
D14/411, 431, 404, 390; D19/35, 36, 41-51,  
D19/54-58; D21/330; 345/179, 173, 156;  
178/19.01, 19.03; 700/94; 401/258, 52  
See application file for complete search history.

(56) **References Cited**

**U.S. PATENT DOCUMENTS**

D389,131 S *	1/1998	Nagaoka	.....	D14/431
D395,672 S *	6/1998	Navarro	.....	D19/48
D443,300 S *	6/2001	Kim et al.	.....	D19/36
D452,707 S *	1/2002	Kazaoka	.....	D19/36
D458,635 S *	6/2002	Boyle et al.	.....	D19/36
D461,499 S *	8/2002	Boyle et al.	.....	D19/36
D462,356 S *	9/2002	Ono et al.	.....	D14/411
6,450,721 B1 *	9/2002	D'Amico et al.	.....	401/258
6,575,596 B2 *	6/2003	Butt	.....	362/259
6,599,045 B1 *	7/2003	Kolb	.....	401/52
D501,505 S *	2/2005	Chien	.....	D19/36

D530,372 S	10/2006	Sugino et al.	
D568,394 S	5/2008	Maruyama	
D588,638 S *	3/2009	Busri	..... D19/36
D590,882 S *	4/2009	Katami	..... D19/53
D596,230 S *	7/2009	Tan	..... D19/43
D596,668 S	7/2009	Ehara et al.	
D611,476 S *	3/2010	Busri	..... D14/411

**OTHER PUBLICATIONS**

U.S. Appl. No. 29/334,356.  
U.S. Appl. No. 29/360,413.

\* cited by examiner

*Primary Examiner*—Austin Murphy

(74) *Attorney, Agent, or Firm*—Nixon & Vanderhye, P.C.

(57) **CLAIM**

The ornamental design for a stylus pen, as shown and described.

**DESCRIPTION**

FIG. 1 is a front, right and bottom perspective view of a stylus pen showing our new design;

FIG. 2 is a rear, left and top perspective view thereof;

FIG. 3 is a front view thereof, a rear view thereof being a mirror image;

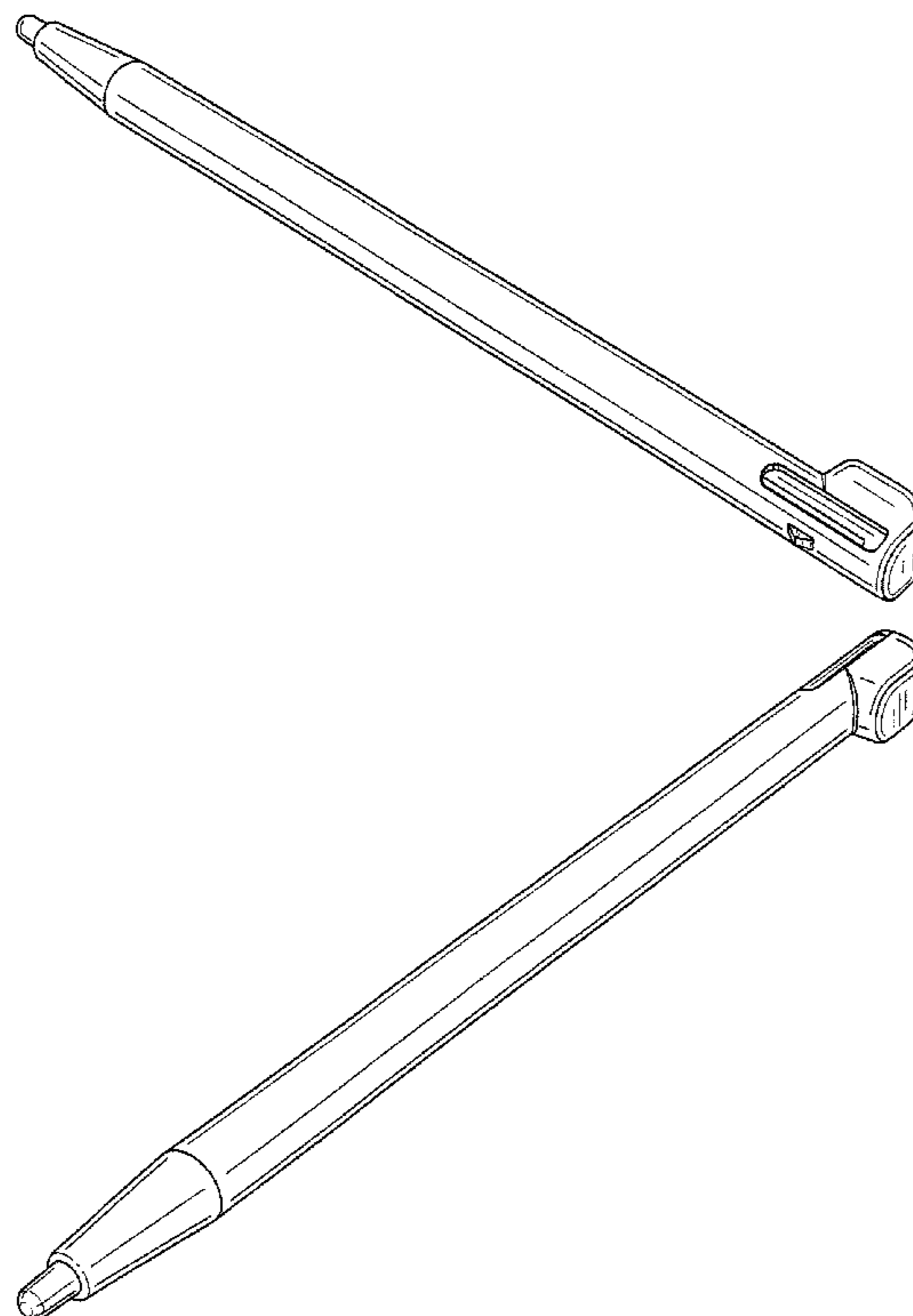
FIG. 4 is a left side view thereof;

FIG. 5 is a right side view thereof.

FIG. 6 is a top plan view thereof; and,

FIG. 7 is a bottom plan view thereof.

**1 Claim, 2 Drawing Sheets**



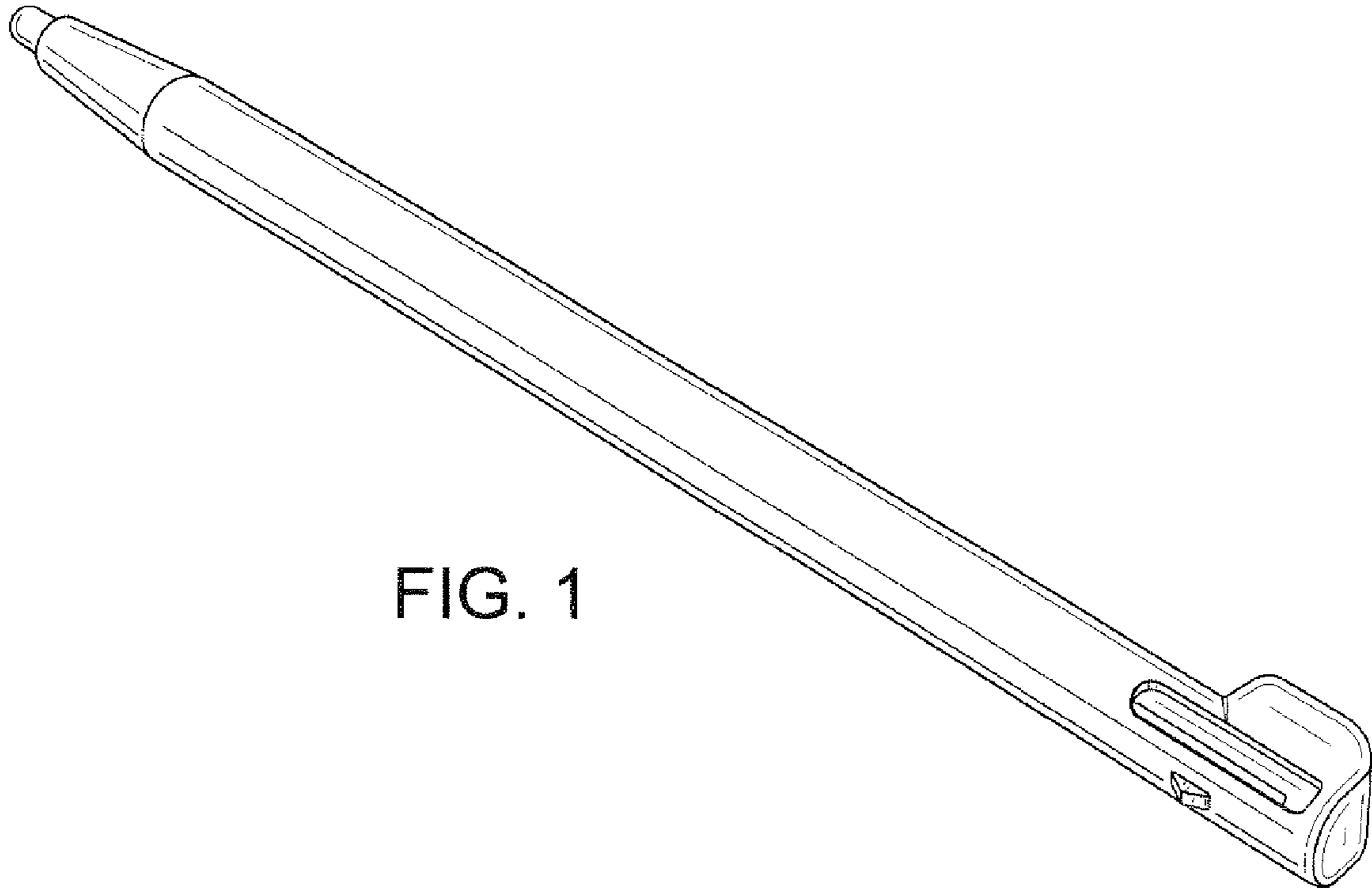


FIG. 1

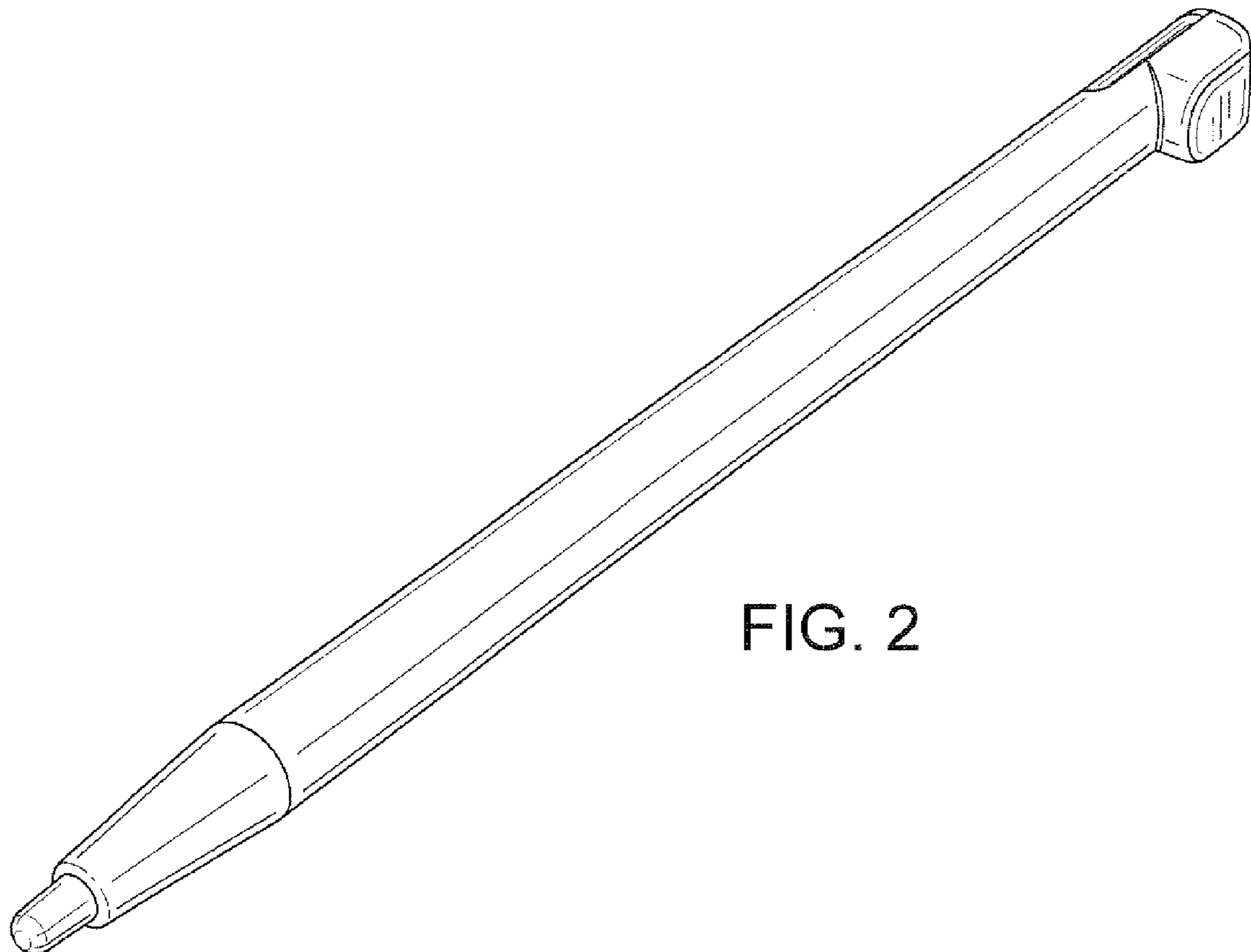


FIG. 2

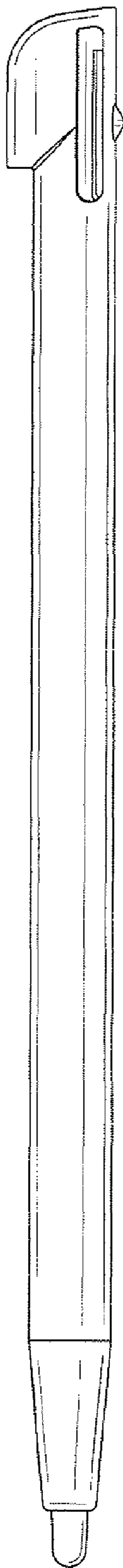


FIG. 3



FIG. 4

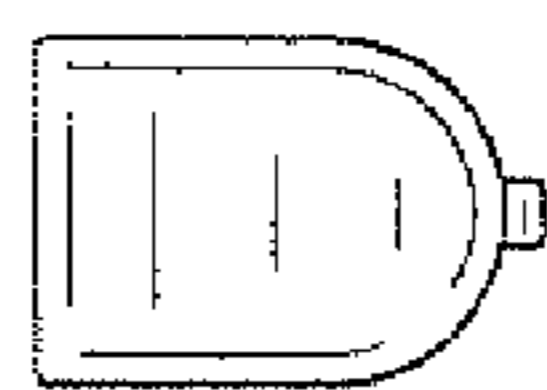


FIG. 5

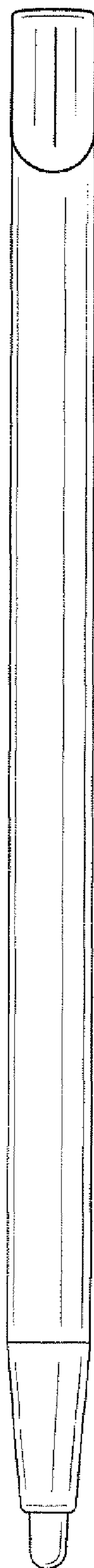


FIG. 6

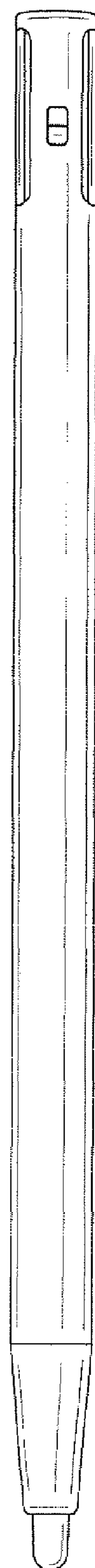


FIG. 7