



US00D630219S

(12) **United States Design Patent**  
**Fujino et al.**

(10) **Patent No.:** **US D630,219 S**  
(45) **Date of Patent:** **\*\* Jan. 4, 2011**

- (54) **STYLUS PEN**
- (75) Inventors: **Takaki Fujino**, Kyoto (JP); **Kochi Kawai**, Kyoto (JP); **Yuko Zenri**, Kyoto (JP)
- (73) Assignee: **Nintendo Co., Ltd.**, Kyoto (JP)
- (\*\*) Term: **14 Years**
- (21) Appl. No.: **29/360,413**
- (22) Filed: **Apr. 26, 2010**
- (51) **LOC (9) Cl.** ..... **14-02**
- (52) **U.S. Cl.** ..... **D14/411; D19/51**
- (58) **Field of Classification Search** ..... D8/61; D14/411, 431, 404, 390; D19/35, 36, 41-51, D19/54-58; D21/330; 345/179, 173, 156; 178/19.01, 19.03; 700/94; 401/258, 52  
See application file for complete search history.

(56) **References Cited**

**U.S. PATENT DOCUMENTS**

- D96,022 S \* 6/1935 Cuthbert ..... D19/51
- D215,042 S \* 8/1969 Spirito ..... D19/51
- D417,206 S \* 11/1999 Hirota ..... D14/411
- D440,603 S \* 4/2001 Restrepo ..... D19/51
- D456,411 S \* 4/2002 Kourushi ..... D14/411
- D480,421 S \* 10/2003 Hui ..... D19/43
- D497,179 S \* 10/2004 Chen ..... D19/36
- D497,387 S \* 10/2004 Cetera ..... D19/36
- D502,216 S \* 2/2005 Chen ..... D19/36
- D530,372 S 10/2006 Sugino et al.

- D547,799 S \* 7/2007 Granick ..... D19/36
- D564,586 S \* 3/2008 Kwok ..... D19/50
- D568,394 S 5/2008 Maruyama
- D596,668 S 7/2009 Ehara et al.
- D602,527 S \* 10/2009 Heck et al. .... D19/51
- D614,623 S \* 4/2010 Crisp et al. .... D14/411

**OTHER PUBLICATIONS**

- U.S. Appl. No. 29/334,356.
- U.S. Appl. No. 29/360,424.

\* cited by examiner

*Primary Examiner*—Austin Murphy  
(74) *Attorney, Agent, or Firm*—Nixon & Vanderhye, P.C.

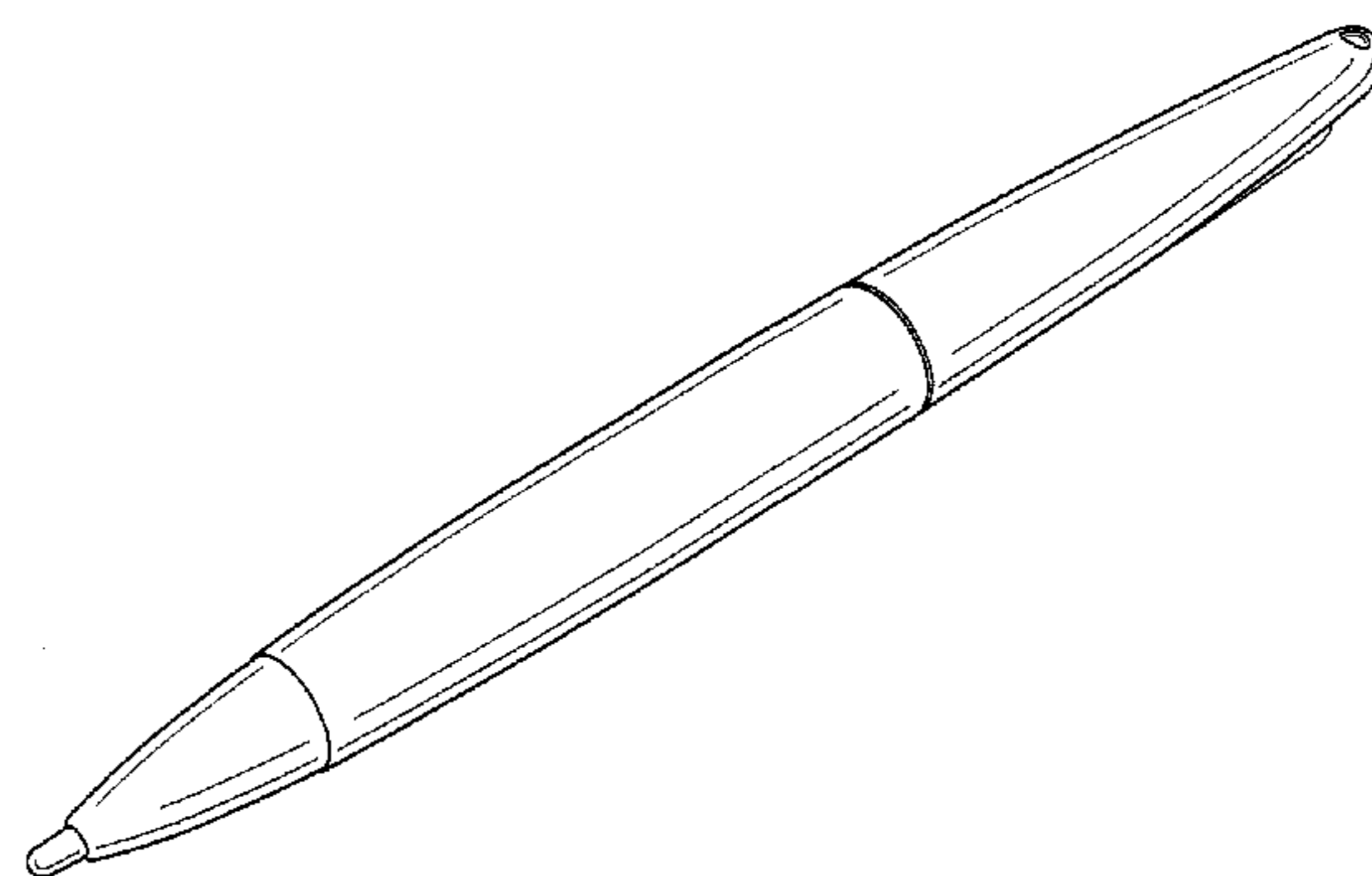
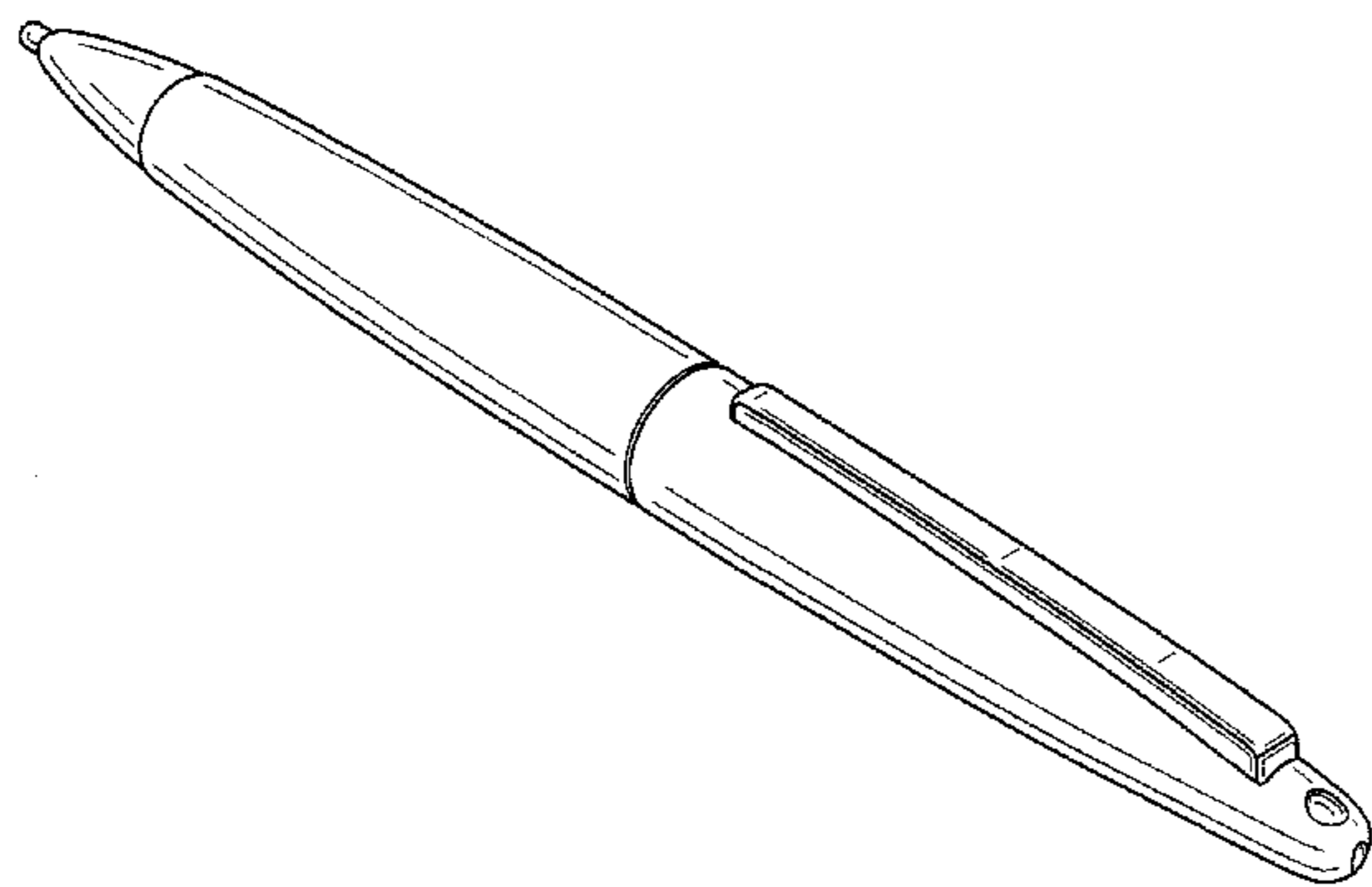
(57) **CLAIM**

The ornamental design for a stylus pen, as shown and described.

**DESCRIPTION**

- FIG. 1 is a front, top and right perspective view of a stylus pen showing our new design;
- FIG. 2 is a rear, bottom and left perspective view thereof;
- FIG. 3 is a front view thereof, a rear view thereof being a mirror image;
- FIG. 4 is a left side view thereof;
- FIG. 5 is a right side view thereof.
- FIG. 6 is a top plan view thereof; and,
- FIG. 7 is a bottom plan view thereof.

**1 Claim, 2 Drawing Sheets**



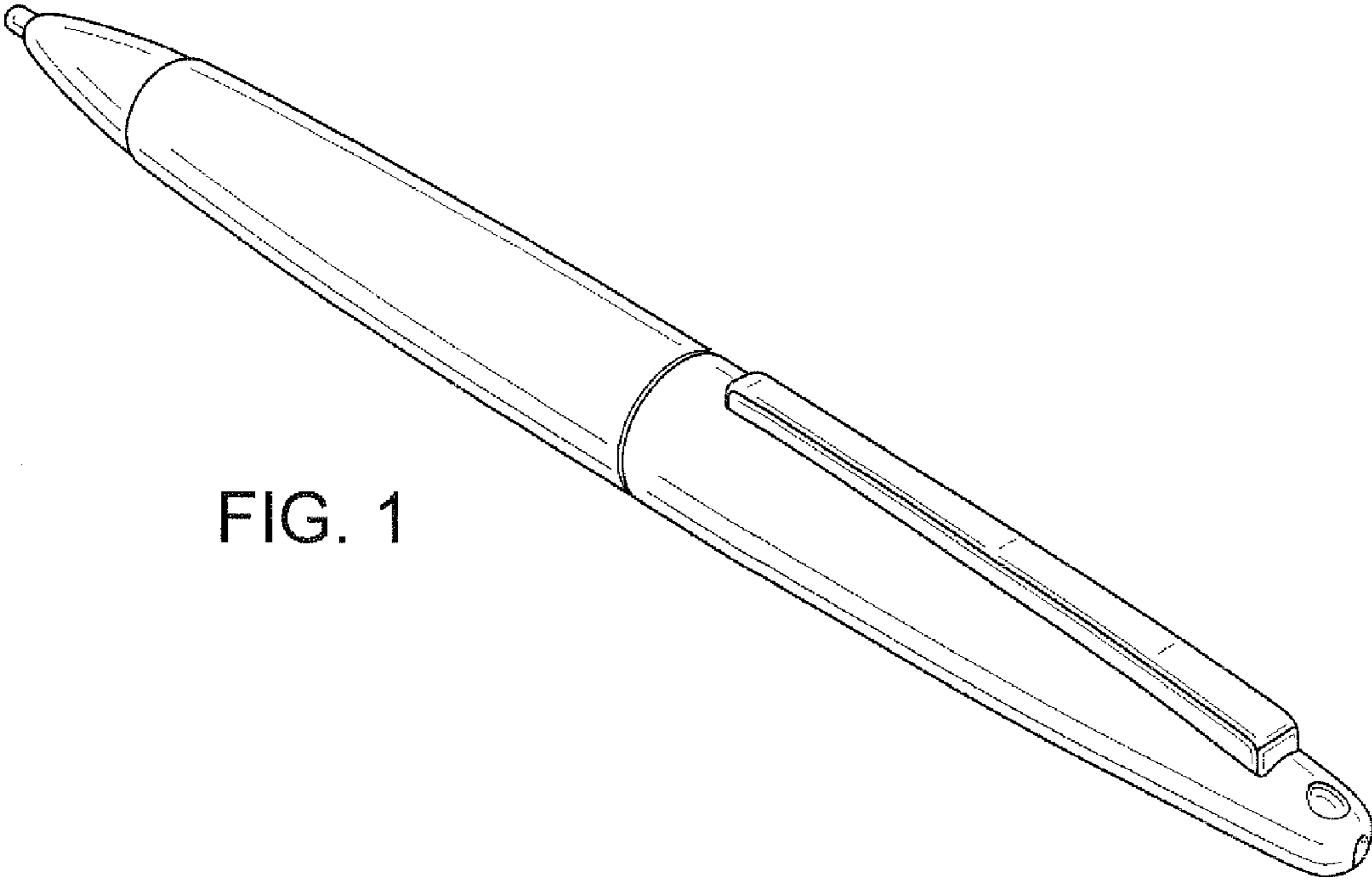


FIG. 1

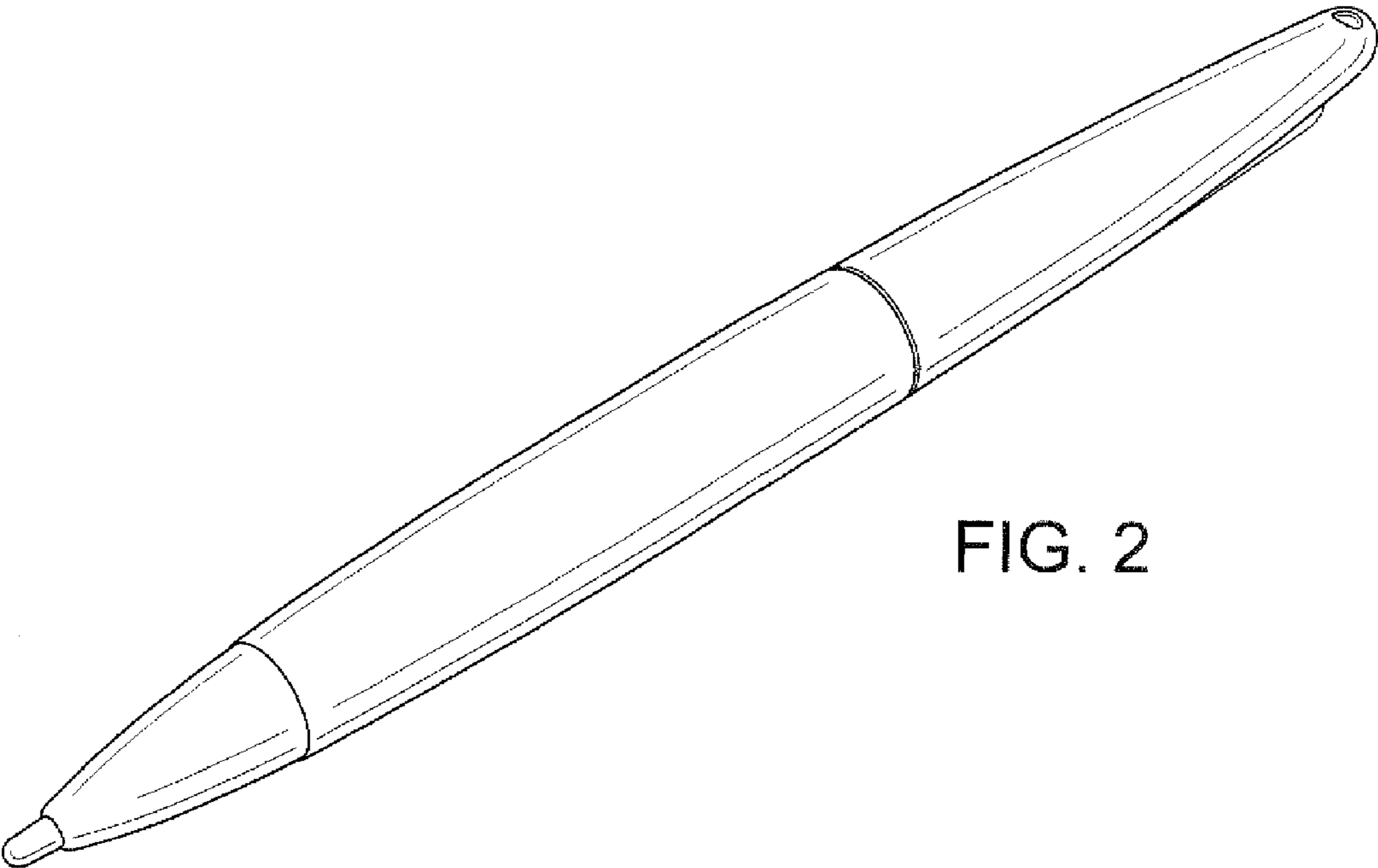


FIG. 2

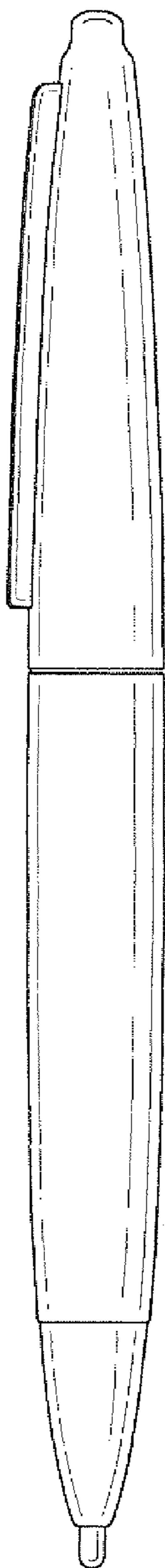


FIG. 3

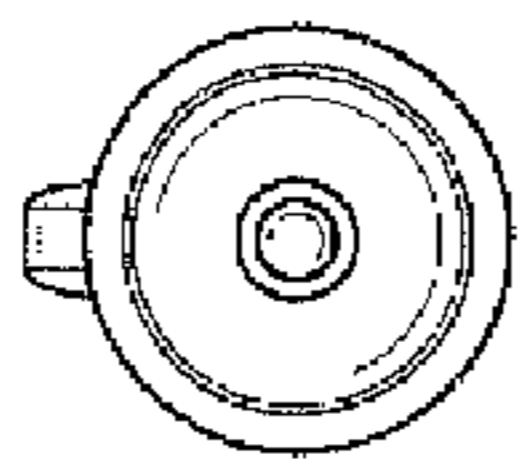


FIG. 4

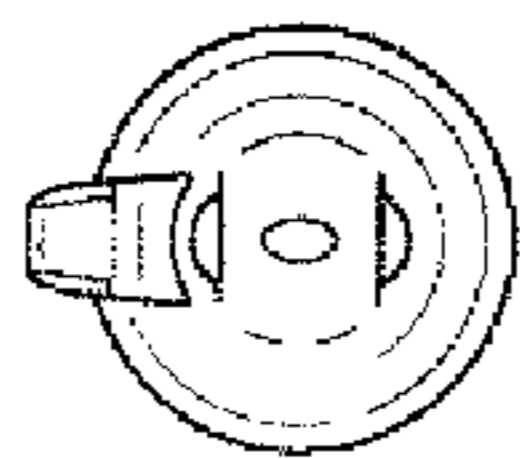


FIG. 5

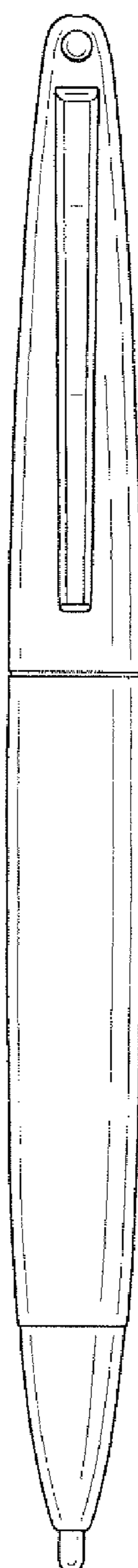


FIG. 6

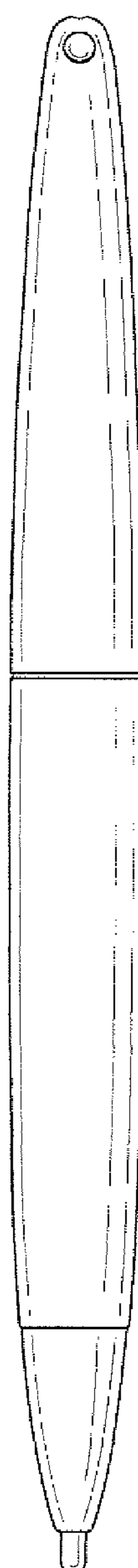


FIG. 7