



US00D630210S

(12) **United States Design Patent**
Andre et al.

(10) **Patent No.:** **US D630,210 S**
(45) **Date of Patent:** **** Jan. 4, 2011**

(54) **MONITOR**

(75) Inventors: **Bartley K. Andre**, Menlo Park, CA (US); **Daniel J. Coster**, San Francisco, CA (US); **Daniele De Iuliis**, San Francisco, CA (US); **Evans Hankey**, San Francisco, CA (US); **Richard P. Howarth**, San Francisco, CA (US); **Jonathan P. Ive**, San Francisco, CA (US); **Duncan Robert Kerr**, San Francisco, CA (US); **Shin Nishibori**, Portola Valley, CA (US); **Matthew Dean Rohrbach**, San Francisco, CA (US); **Peter Russell-Clarke**, San Francisco, CA (US); **Douglas B. Satzger**, Menlo Park, CA (US); **Christopher J. Stringer**, Woodside, CA (US); **Eugene Antony Whang**, San Francisco, CA (US); **Rico Zorkendorfer**, San Francisco, CA (US)

(73) Assignee: **Apple Inc.**, Cupertino, CA (US)

(**) Term: **14 Years**

(21) Appl. No.: **29/355,762**

(22) Filed: **Feb. 12, 2010**

Related U.S. Application Data

(60) Division of application No. 29/326,226, filed on Oct. 14, 2008, now abandoned, which is a continuation of application No. 29/326,078, filed on Oct. 10, 2008, now Pat. No. Des. 600,696.

(51) **LOC (9) Cl.** **14-02**

(52) **U.S. Cl.** **D14/374**

(58) **Field of Classification Search** D14/371-375, D14/125-129, 356; 248/917-924, 176.1, 248/278.1, 157; 341/12; 345/104, 156, 168, 345/173, 901-905; 348/180, 184, 325, 836; 349/1, 2, 11, 62

See application file for complete search history.

(56) **References Cited**

U.S. PATENT DOCUMENTS

D294,262 S	2/1988	Thies et al.
D428,415 S	7/2000	Shibata
D432,101 S	10/2000	Oba
D434,763 S	12/2000	Jobs et al.
D453,022 S	1/2002	Oba
D456,023 S	4/2002	Andre et al.
D464,049 S	10/2002	Goto
D476,335 S	6/2003	Miao et al.

(Continued)

OTHER PUBLICATIONS

Macworld magazine, Jun. 2007, cover.

(Continued)

Primary Examiner—Freda S Nunn

(74) *Attorney, Agent, or Firm*—Saidman DesignLaw Group

(57) **CLAIM**

The ornamental design for a monitor, as shown and described.

DESCRIPTION

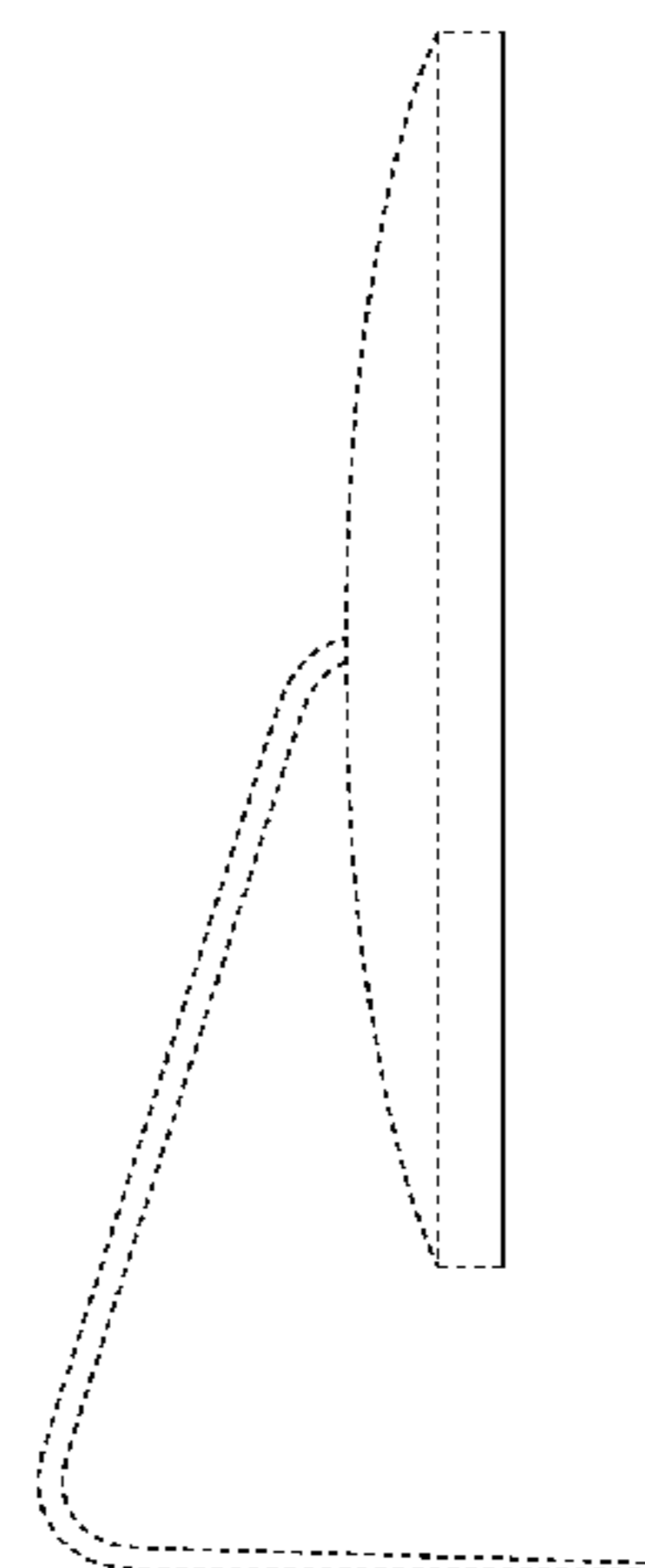
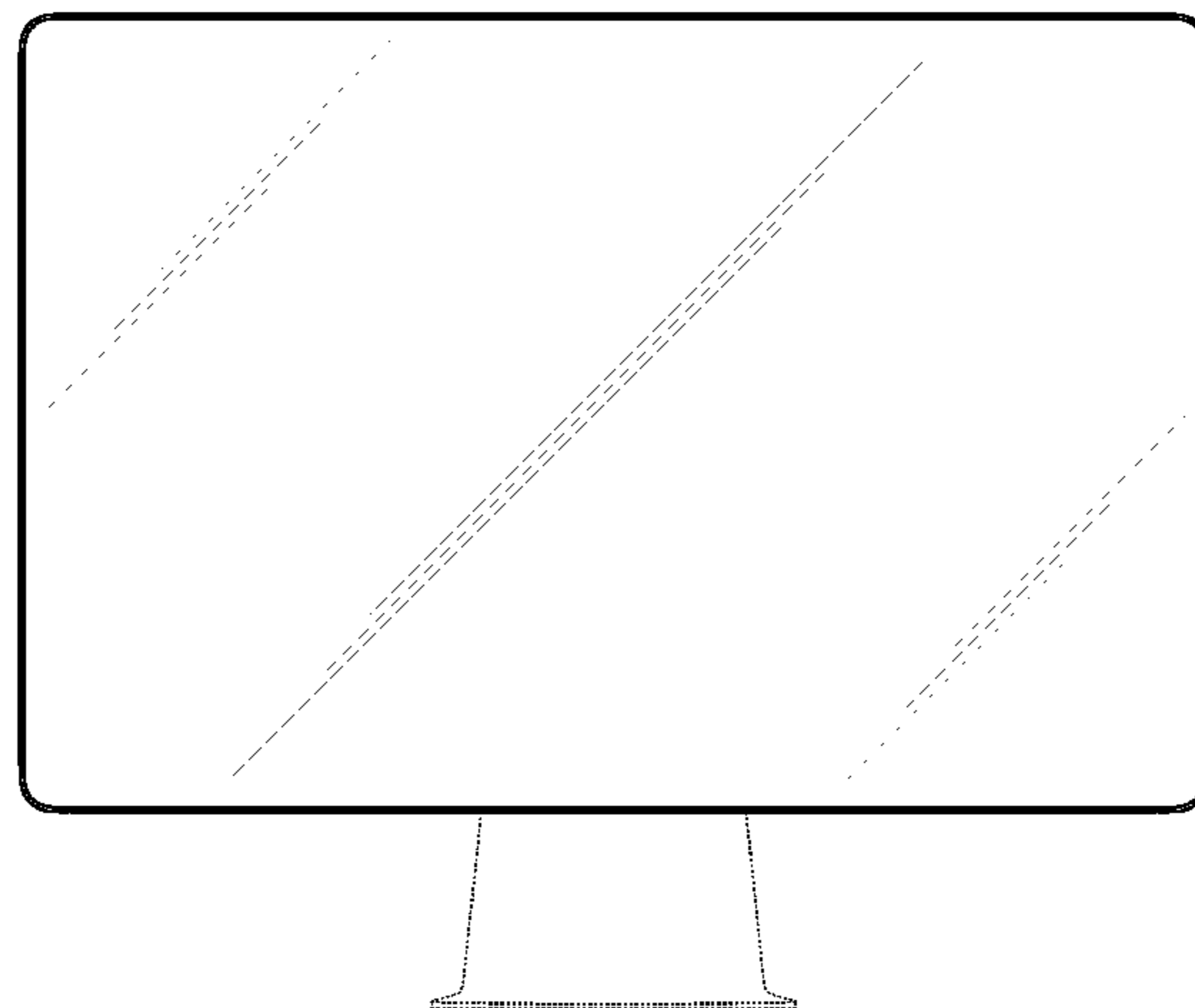
FIG. 1 is a front view of a monitor showing our new design; FIG. 2 is a left-side view thereof, the right-side view being a mirror image thereof;

FIG. 3 is a top view thereof; and,

FIG. 4 is a bottom view thereof.

The closely spaced parallel diagonal shade lines represent a translucent surface. The dashed broken lines are for the purpose of illustrating portions of the monitor and forms no part of the claimed design.

1 Claim, 3 Drawing Sheets



US D630,210 S

Page 2

U.S. PATENT DOCUMENTS

D486,486 S 2/2004 Jobs et al.
D488,139 S 4/2004 Takami et al.
D491,901 S 6/2004 Chin et al.
D492,684 S 7/2004 Ozolins et al.
D494,971 S 8/2004 Jobs et al.
D495,332 S 8/2004 Jobs et al.
D495,706 S 9/2004 Lin et al.
D496,040 S 9/2004 Jobs et al.
D497,364 S 10/2004 Ozolins et al.
D500,037 S 12/2004 Ozolins et al.
6,837,469 B2* 1/2005 Wu et al. 248/278.1
D504,889 S 5/2005 Andre et al.
7,014,154 B2* 3/2006 Jeong et al. 248/157
D520,006 S 5/2006 Chen et al.
D526,999 S 8/2006 Tago
D529,913 S 10/2006 Chen et al.
D530,329 S 10/2006 Chen et al.
D531,631 S 11/2006 Andre et al.
D532,011 S 11/2006 Andre et al.
D533,519 S 12/2006 Ellison
D541,278 S 4/2007 Hsu et al.
D541,799 S 5/2007 Andre et al.
D549,673 S 8/2007 Niitsu
D556,755 S 12/2007 Lee et al.

D558,200 S 12/2007 Tsai
D570,841 S 6/2008 Kim et al.
D600,696 S 9/2009 Andre et al.
D605,193 S 12/2009 Andre et al.
2002/0020792 A1 2/2002 Lee
2003/0058372 A1* 3/2003 Williams et al. 348/836
2006/0237599 A1 10/2006 Ternus et al.

OTHER PUBLICATIONS

Apple iMac, <http://www.apple.com/imac>, available at least as early as Oct. 10, 2008.
U.S. Appl. No. 29/345,722 entitled "Computer" filed Oct. 21, 2009.
U.S. Appl. No. 29/345,580 entitled "Electronic Device" filed Oct. 19, 2009.
U.S. Appl. No. 29/342,525 entitled "Computer" filed Aug. 26, 2009.
U.S. Appl. No. 29/338,530 entitled "Monitor" filed Jun. 12, 2009.
U.S. Appl. No. 29/289,876 entitled "Surface Portion of Computer" as filed Aug. 2, 2007 and as amended Jun. 26, 2009.
U.S. Appl. No. 29/289,807 entitled "Computer" filed Aug. 1, 2007.
U.S. Appl. No. 29/355,527 entitled "Portable Computer" filed Feb. 9, 2010.
U.S. Appl. No. 29/355,527 entitled "Portable Computer" filed Feb. 9, 2010.

* cited by examiner

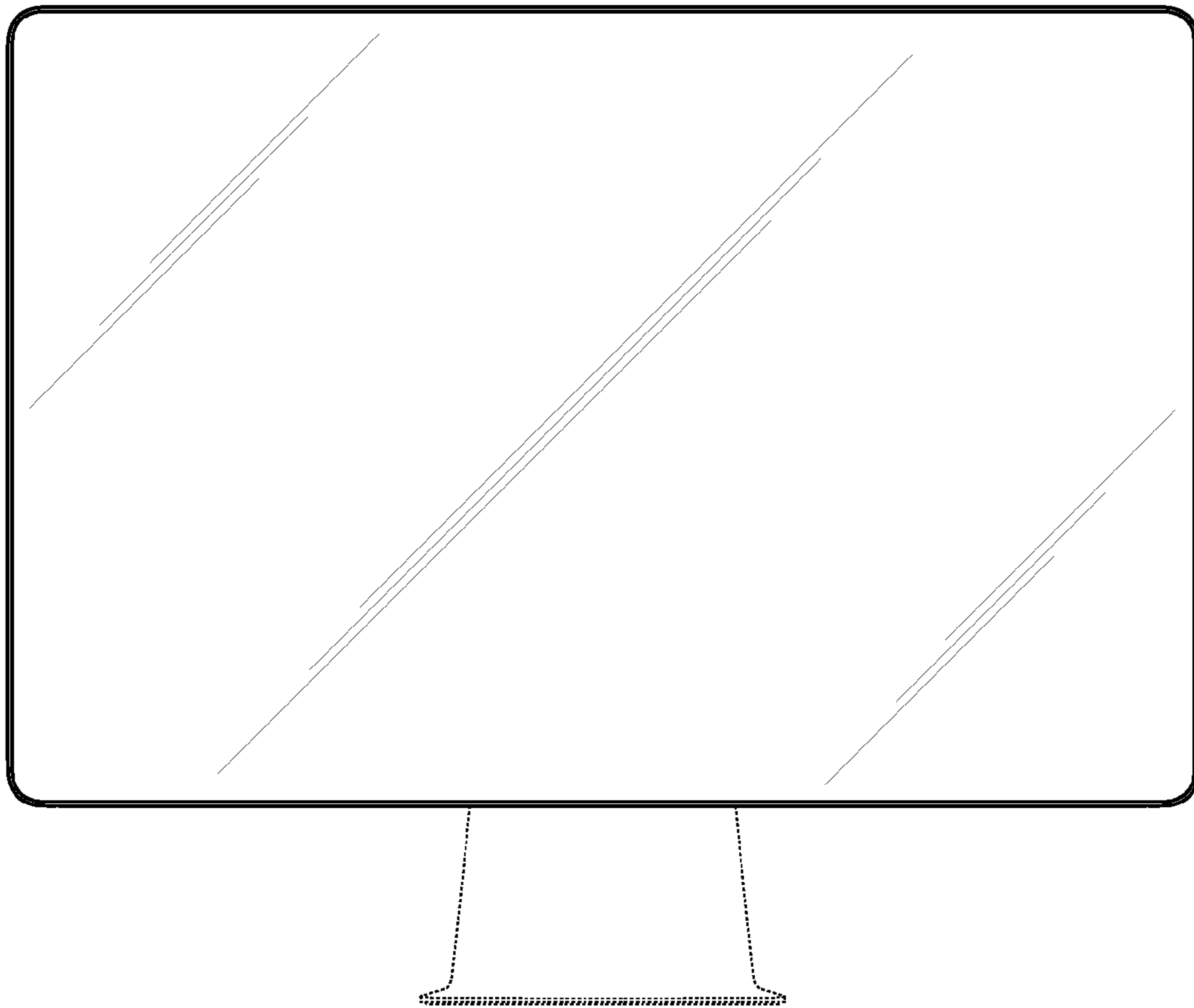


Fig. 1

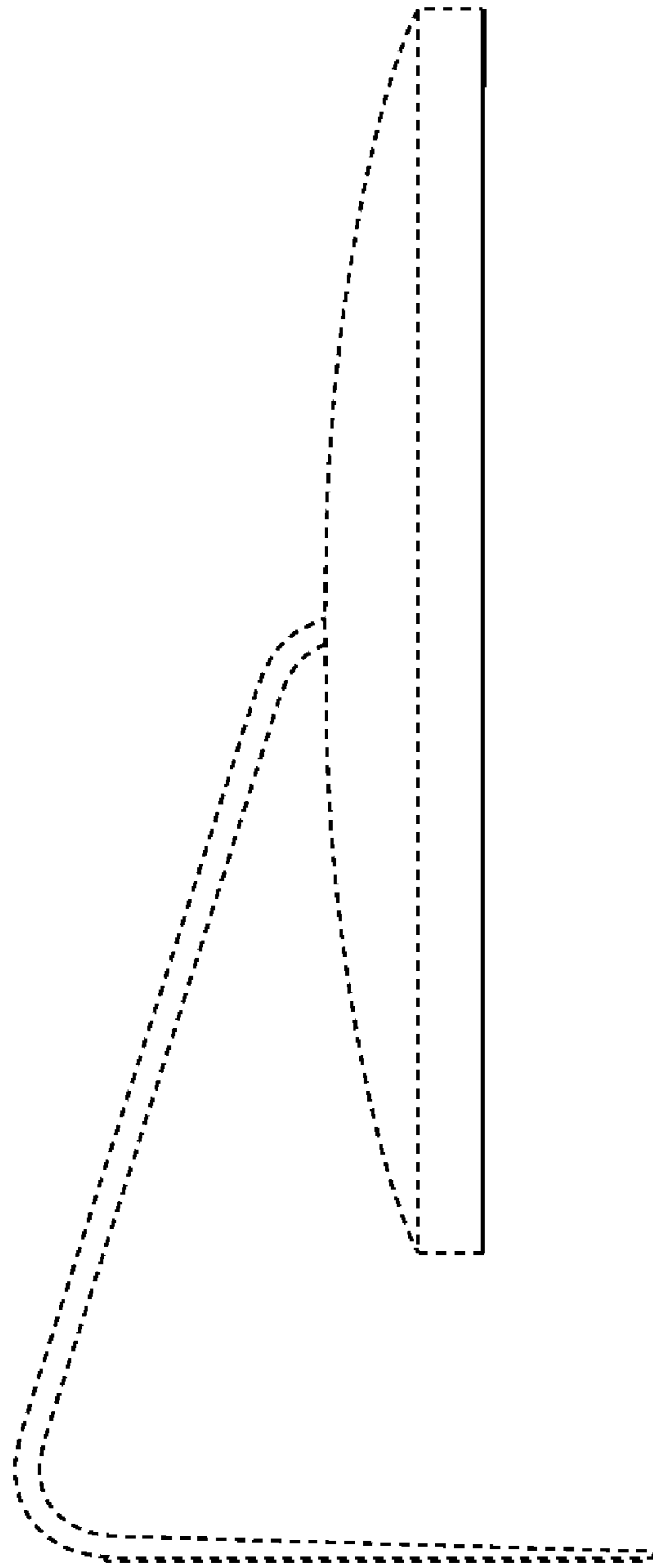


Fig. 2

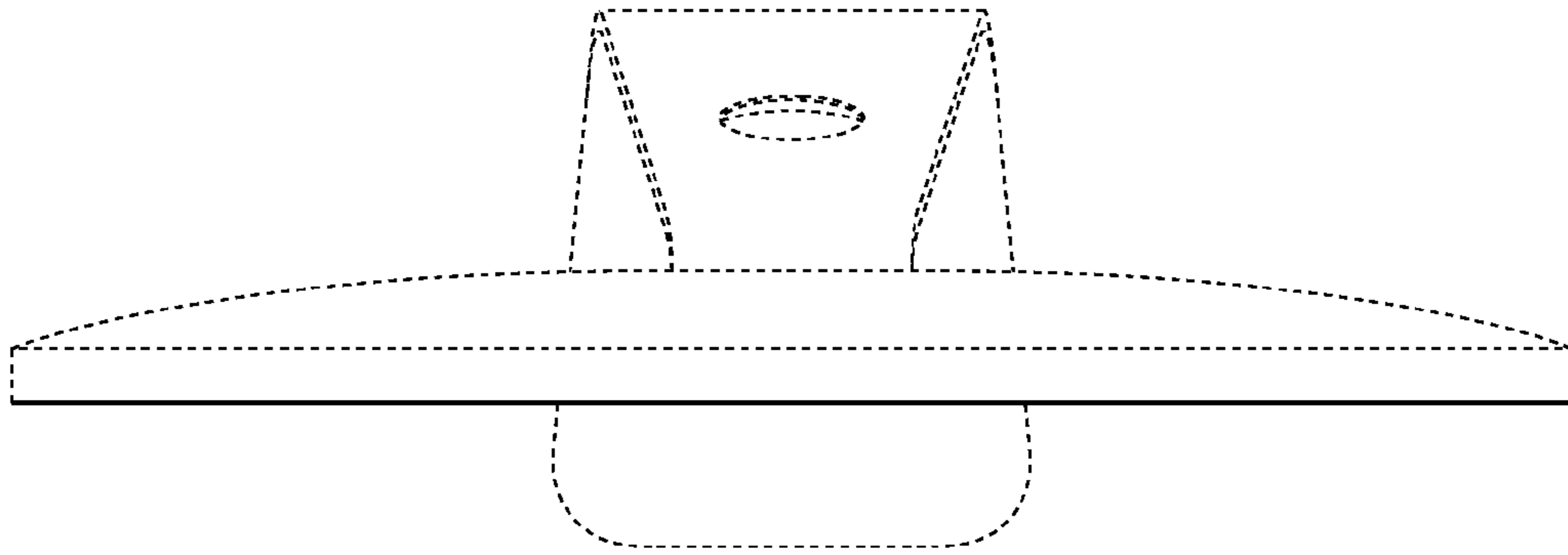


Fig. 3

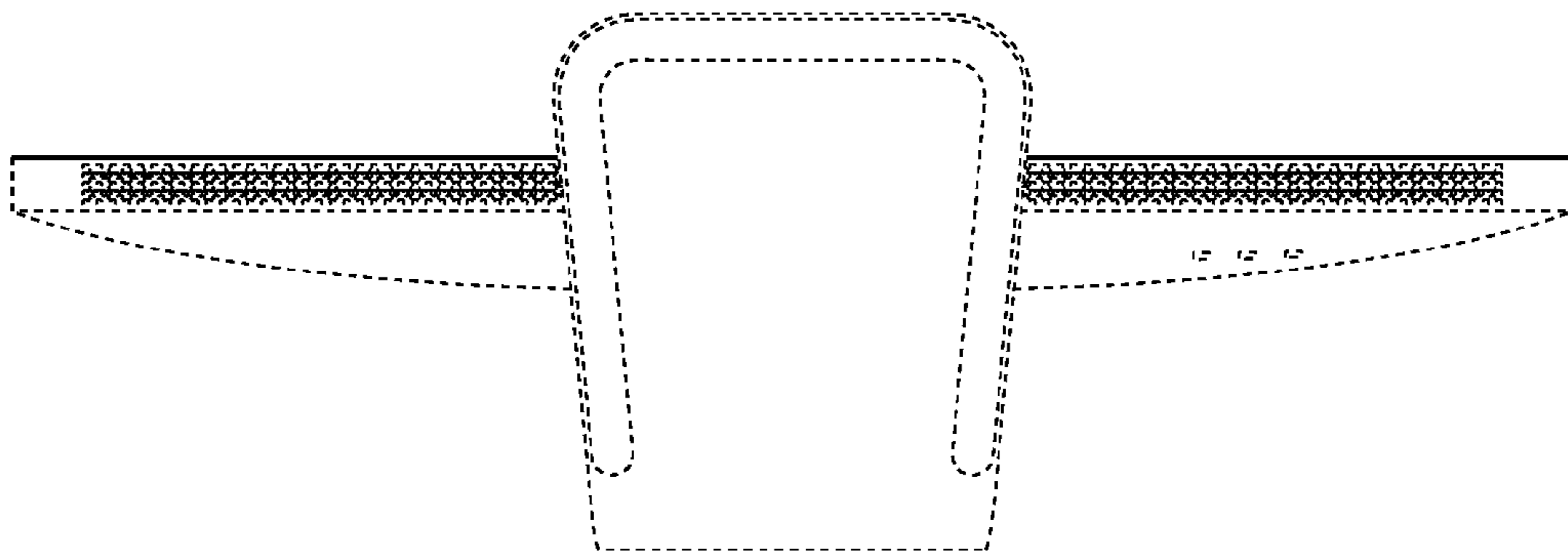


Fig. 4