



US00D630209S

(12) **United States Design Patent**  
**Lee et al.**

(10) **Patent No.:** **US D630,209 S**  
(45) **Date of Patent:** **\*\* Jan. 4, 2011**

(54) **LCD MONITOR**

(75) Inventors: **Yong-Joo Lee**, Seoul (KR);  
**Seung-Cheol Lee**, Jeju-do (KR);  
**Eui-Seok Kim**, Kyunggi-do (KR)

(73) Assignee: **Samsung Electronics Co., Ltd.**,  
Kyunggi-Do (KR)

(\*\*) Term: **14 Years**

(21) Appl. No.: **29/348,517**

(22) Filed: **Jan. 14, 2010**

(51) **LOC (9) Cl.** ..... **14-02**

(52) **U.S. Cl.** ..... **D14/374**

(58) **Field of Classification Search** ..... D14/371-376,  
D14/125-129, 336, 337; 248/917-924;  
341/12; 345/104, 156, 173, 174, 901-905;  
348/180, 184, 325, 739, 837; 361/679.01,  
361/679.02, 679.21-679.25; 349/1, 2, 11,  
349/58

See application file for complete search history.

(56) **References Cited**

**U.S. PATENT DOCUMENTS**

D416,875 S *	11/1999	Chuo et al.	.....	D14/375
6,229,584 B1 *	5/2001	Chuo et al.	.....	349/58
6,381,125 B1 *	4/2002	Mizoguchi et al.	.....	361/682
D494,941 S	8/2004	Kim		
6,807,051 B2 *	10/2004	Takahashi	.....	361/681
D499,386 S	12/2004	Yang		
D512,424 S	12/2005	Kim		
D521,511 S	5/2006	Kim et al.		
D521,996 S	5/2006	Kim et al.		
D521,997 S	5/2006	Park et al.		
D522,509 S	6/2006	Park et al.		
D524,313 S	7/2006	Boo et al.		
D527,003 S	8/2006	Kim et al.		
D528,115 S	9/2006	Yoon		
D528,116 S	9/2006	Won et al.		
D529,910 S	10/2006	Ota		
D532,764 S	11/2006	Kim et al.		
D533,848 S	12/2006	Lee et al.		

D534,510 S	1/2007	Kang et al.
D534,883 S	1/2007	Kang et al.
D535,267 S	1/2007	Kang et al.
D536,677 S	2/2007	Kim et al.
D537,079 S	2/2007	Park
D539,242 S	3/2007	Lee et al.
D539,281 S	3/2007	Kim et al.
D539,767 S	4/2007	Kang et al.
D540,277 S	4/2007	Kim et al.
D541,236 S	4/2007	Kim et al.
D541,763 S	5/2007	Kim
D542,746 S	5/2007	Kim
D542,747 S	5/2007	Kim et al.
D543,163 S	5/2007	Yang et al.

(Continued)

**OTHER PUBLICATIONS**

U.S. Appl. No. 29/314,209, Applicant: Sang-Il Park, et al., filed Mar. 13, 2009 entitled LCD Monitor.

(Continued)

*Primary Examiner*—Freda S Nunn  
(74) *Attorney, Agent, or Firm*—Flynn, Thiel, Boutell & Tanis, P.C.

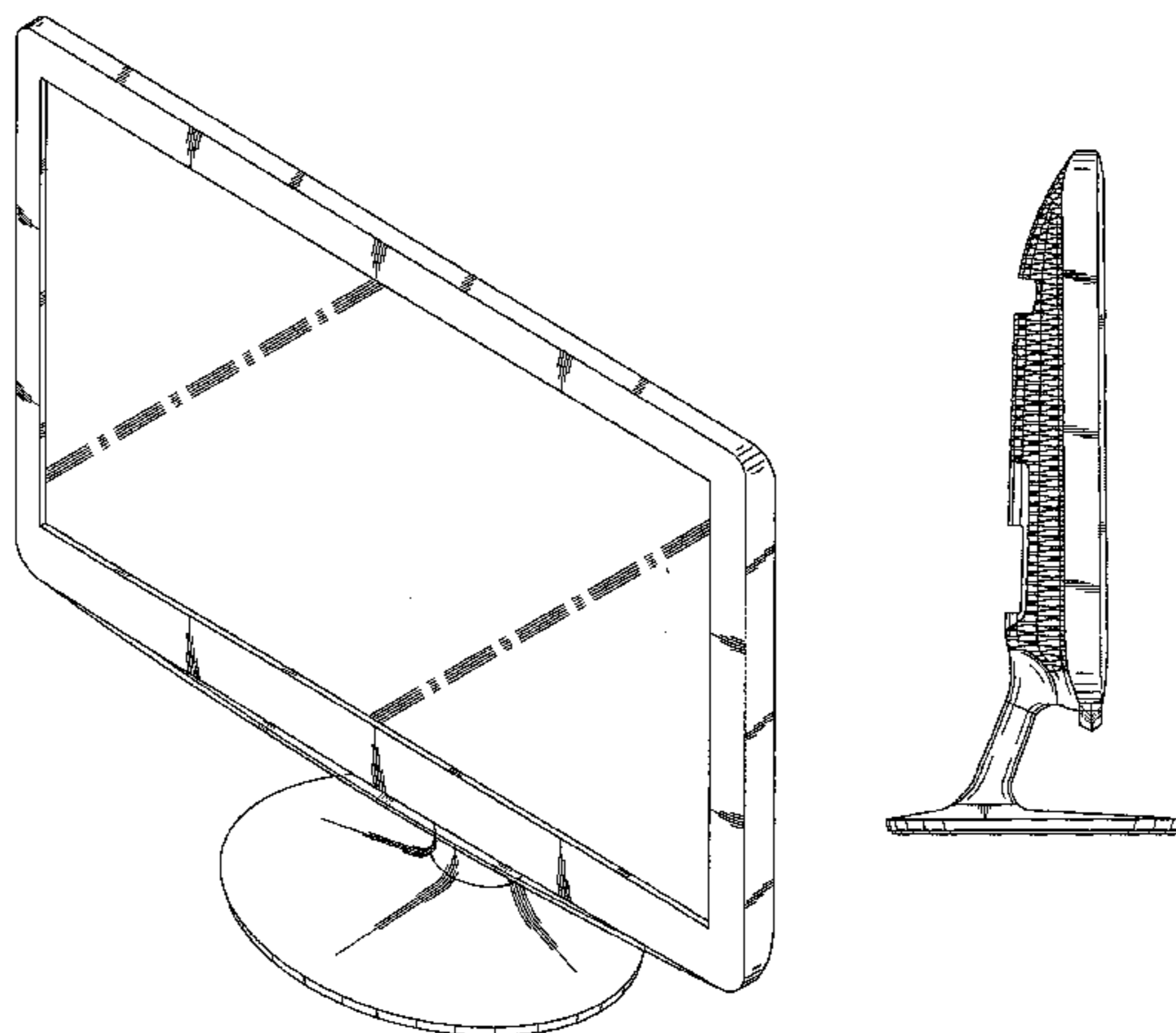
(57) **CLAIM**

The ornamental design for a LCD monitor, as shown and described.

**DESCRIPTION**

FIG. 1 is a top front perspective view of a LCD monitor showing our new design;  
FIG. 2 is a front elevational view thereof;  
FIG. 3 is a rear elevational view thereof;  
FIG. 4 is a left side elevational view thereof;  
FIG. 5 is a right side elevational view thereof;  
FIG. 6 is a top plan view thereof; and,  
FIG. 7 is a bottom plan view thereof.

**1 Claim, 5 Drawing Sheets**



# US D630,209 S

Page 2

## U.S. PATENT DOCUMENTS

D543,164 S	5/2007	Yang et al.	D573,118 S	7/2008	Yang et al.
D544,849 S	6/2007	Yang et al.	D573,559 S	7/2008	Kim et al.
D545,312 S	6/2007	Kim	D576,622 S	9/2008	Park
D545,313 S	6/2007	Kim	D582,365 S	12/2008	Yang et al.
D545,314 S	6/2007	Kim	D582,366 S	12/2008	Yang et al.
D545,315 S	6/2007	Kim	D582,867 S	12/2008	Song et al.
D545,316 S	6/2007	Kim	D584,258 S	1/2009	Yang et al.
D545,776 S	7/2007	Kwon	D584,309 S	1/2009	Kim et al.
D545,820 S	7/2007	Won et al.	D584,310 S	1/2009	Kim et al.
D546,331 S	7/2007	Kim	D584,729 S	1/2009	Kim et al.
D547,276 S	7/2007	Yang et al.	D586,811 S	2/2009	Kim et al.
D547,313 S	7/2007	Kim	D587,712 S	3/2009	Park et al.
D548,205 S	8/2007	Kim et al.	D592,621 S	5/2009	Han et al.
D548,206 S	8/2007	Han	D593,974 S	6/2009	Yang et al.
D548,708 S	8/2007	Park et al.	D597,041 S	7/2009	Cho et al.
D551,186 S	9/2007	Yang et al.	D597,977 S	8/2009	Won et al.
D551,194 S	9/2007	Kim et al.	D597,978 S	8/2009	Won et al.
D551,636 S	9/2007	Kang et al.	D608,311 S	1/2010	Lee et al.
D553,108 S	10/2007	Won et al.	D609,658 S	2/2010	Kim et al.
D554,601 S	11/2007	Won et al.	2002/0020792 A1 *	2/2002	Lee ..... 248/278.1
D556,159 S	11/2007	Park et al.	2005/0041379 A1 *	2/2005	Jang ..... 361/681
D556,160 S	11/2007	Lee et al.	2006/0076463 A1 *	4/2006	Drew ..... 248/121
D556,709 S	12/2007	Kim et al.			
D556,755 S	12/2007	Lee et al.			
D556,756 S	12/2007	Kataoka et al.			
D556,757 S	12/2007	Kim et al.			
D558,201 S	12/2007	Park et al.			
D558,696 S	1/2008	Park et al.			
D561,130 S	2/2008	Won et al.			
D561,134 S	2/2008	Kim et al.			
D561,135 S	2/2008	Won et al.			
D561,136 S	2/2008	Won et al.			
D564,472 S	3/2008	Won et al.			
D565,521 S	4/2008	Yang et al.			
D567,198 S	4/2008	Yang et al.			
D567,199 S	4/2008	Kim et al.			
D569,818 S	5/2008	Kim et al.			
D570,841 S	6/2008	Kim et al.			
D572,680 S	7/2008	Lee et al.			
D572,682 S	7/2008	Won et al.			

## OTHER PUBLICATIONS

U.S. Appl. No. 29/308,634, Applicant: Kyu-Mi Han, et al., filed Jun. 27, 2008 entitled Television Set.

U.S. Appl. No. 29/316,364, Applicant: Jae-Seung Song, et al., filed Sep. 17, 2009 entitled LCD Television Set.

U.S. Appl. No. 29/316,365, Applicant: Jae-Seung Song, et al., filed Sep. 17, 2009 entitled LCD Television Set.

U.S. Appl. No. 29/316,366, Applicant: Dong-Hee Won, et al., filed Sep. 17, 2009 entitled LED Television Set.

U.S. Appl. No. 29/316,368, Applicant: Dong-Hee Won, et al., filed Sep. 17, 2009 entitled LED Television Set.

U.S. Appl. No. 29/316,367, Applicant: Young-Sun Shin, et al., filed Sep. 17, 2009 entitled LCD Television Set.

U.S. Appl. No. 29/308,894, Applicant: Eui-Seok Kim, et al., filed Jul. 14, 2008 entitled LCD Monitor.

U.S. Appl. No. 29/348,342, Applicant: Jung-Hyun Lee, et al., filed Dec. 22, 2009 entitled LED Television Set.

\* cited by examiner

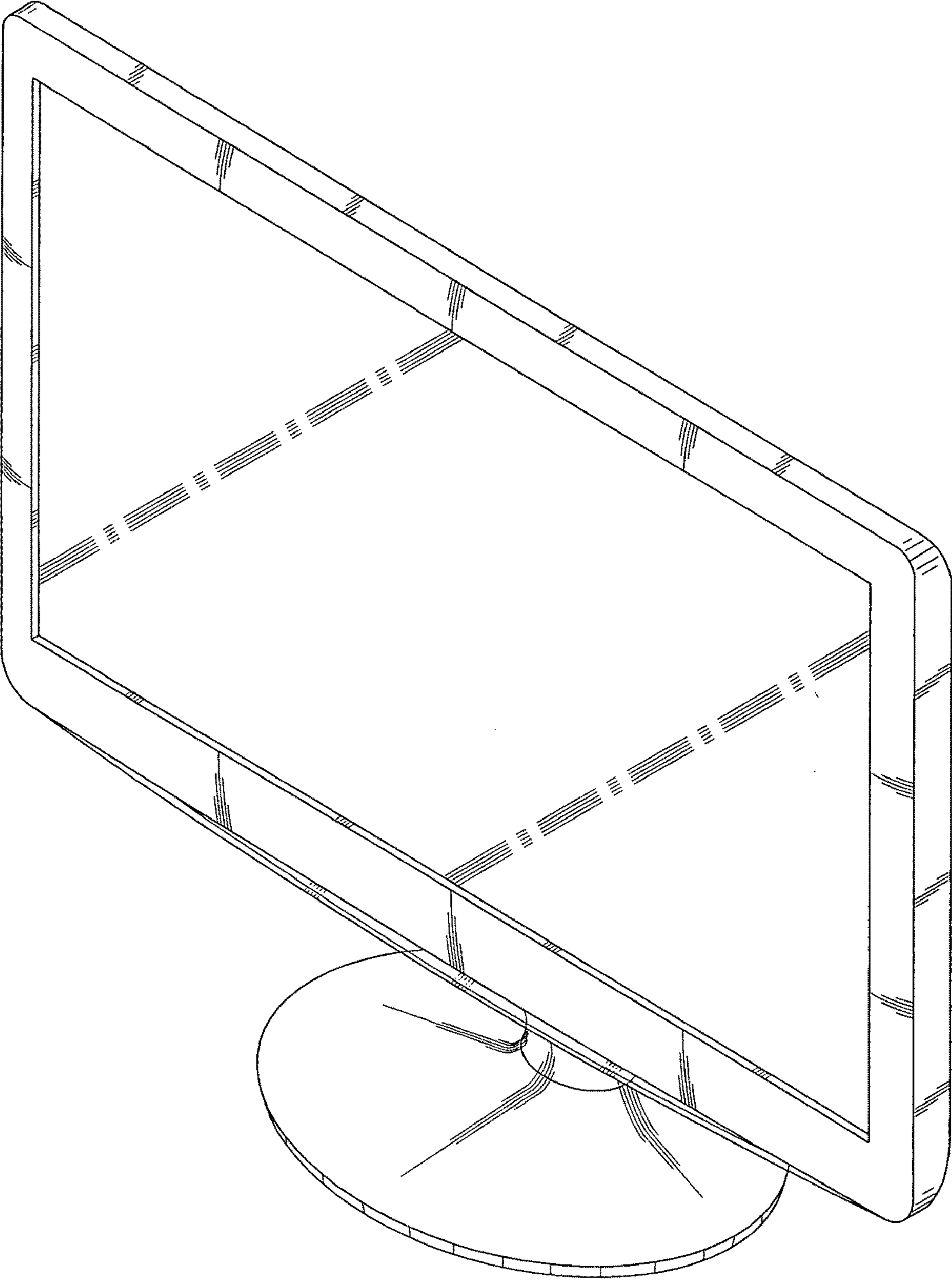


FIG. 1



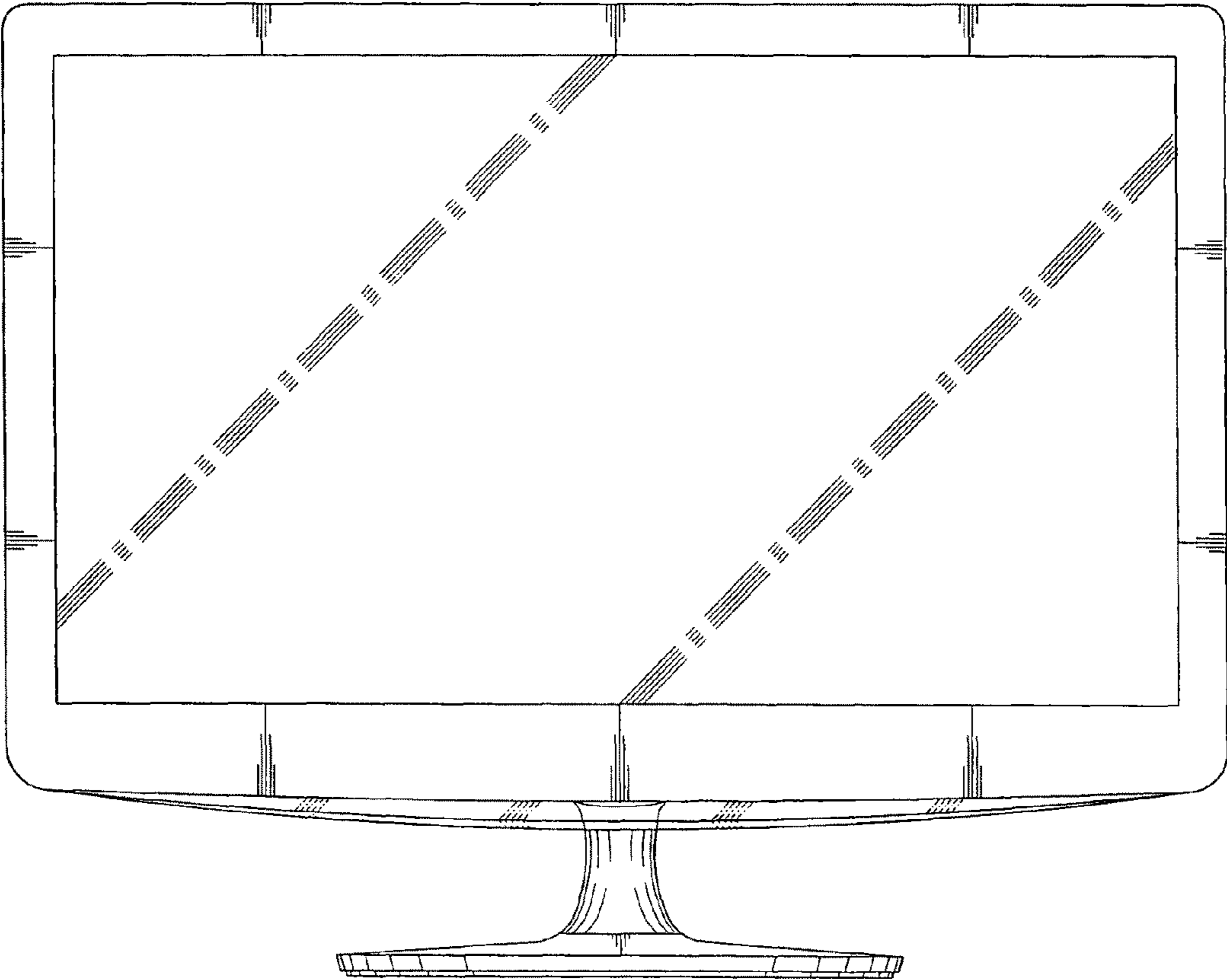


FIG. 2

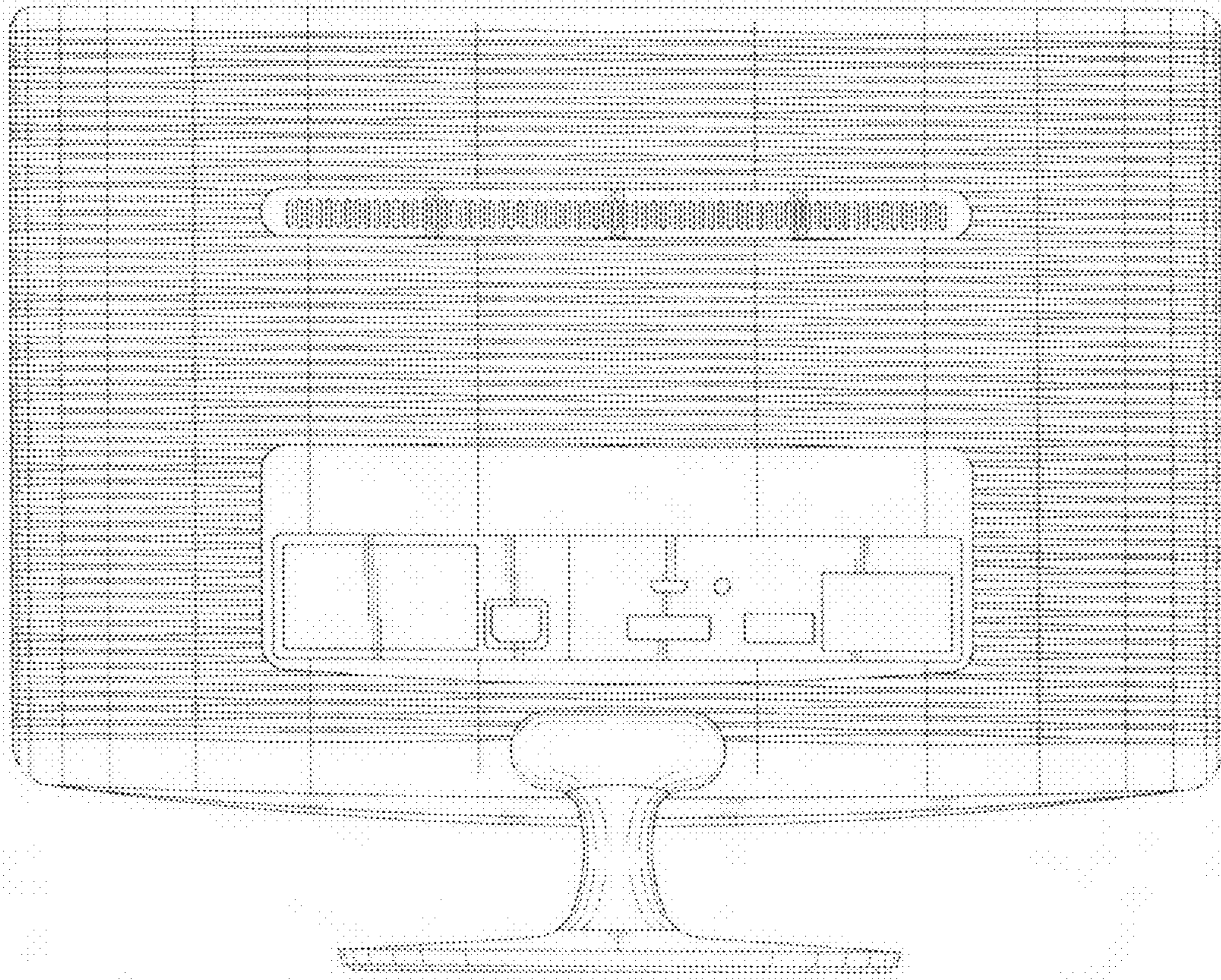


FIG. 3

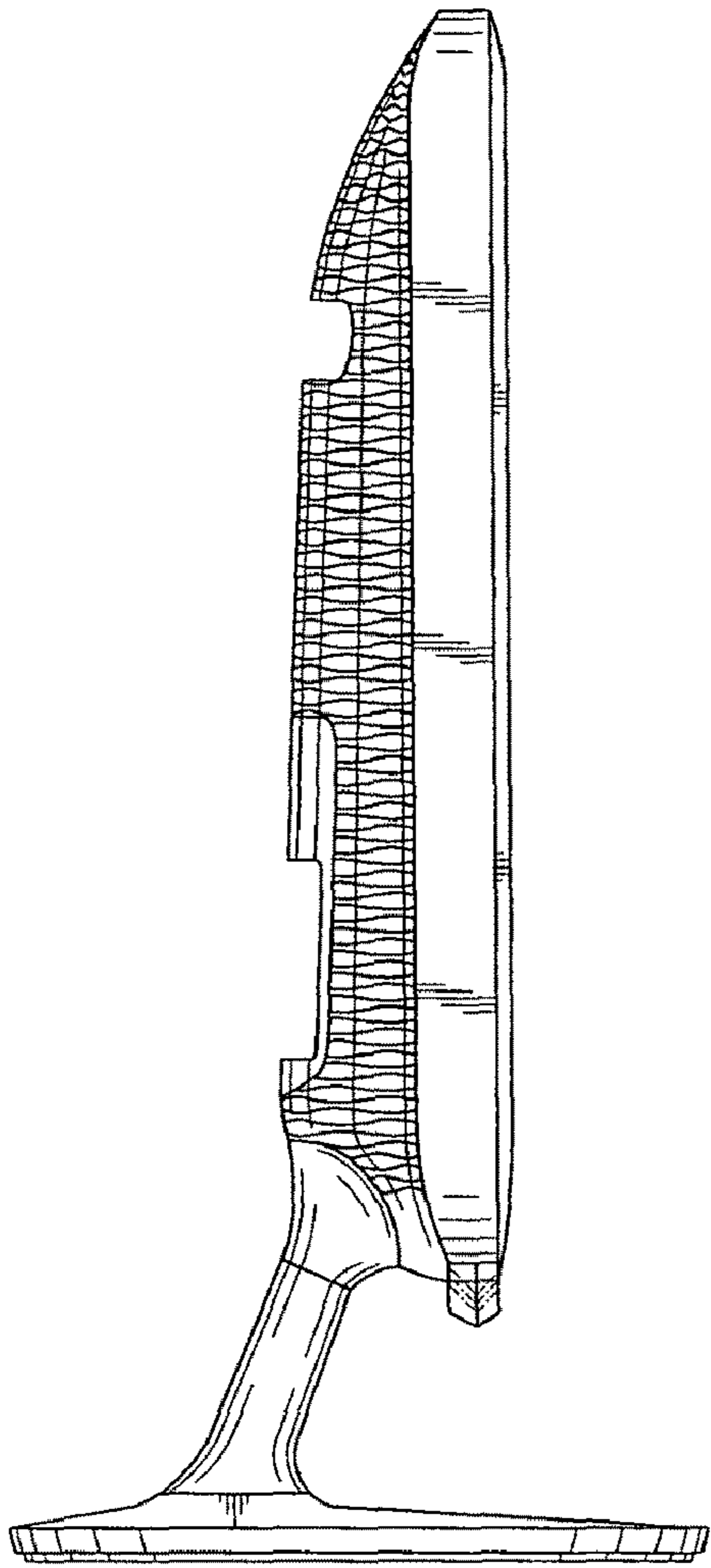


FIG. 4

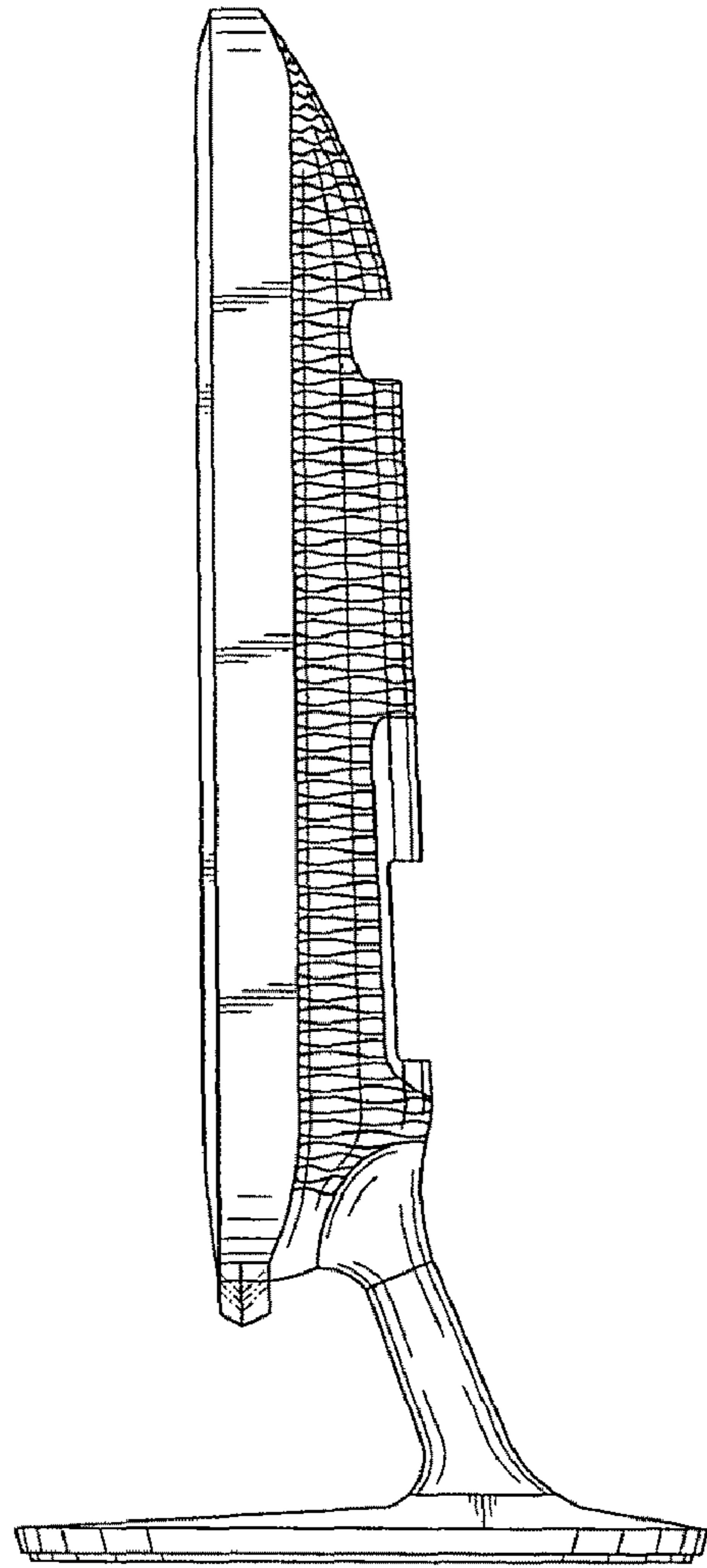


FIG. 5



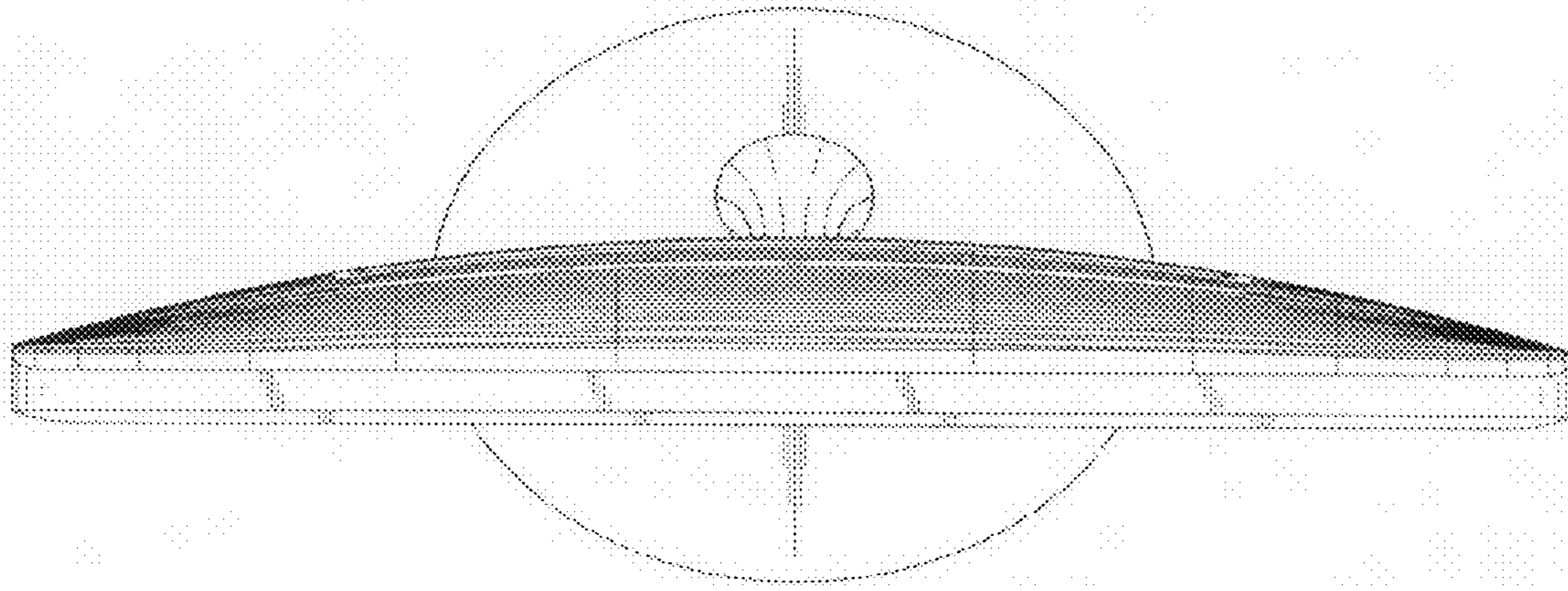


FIG. 6

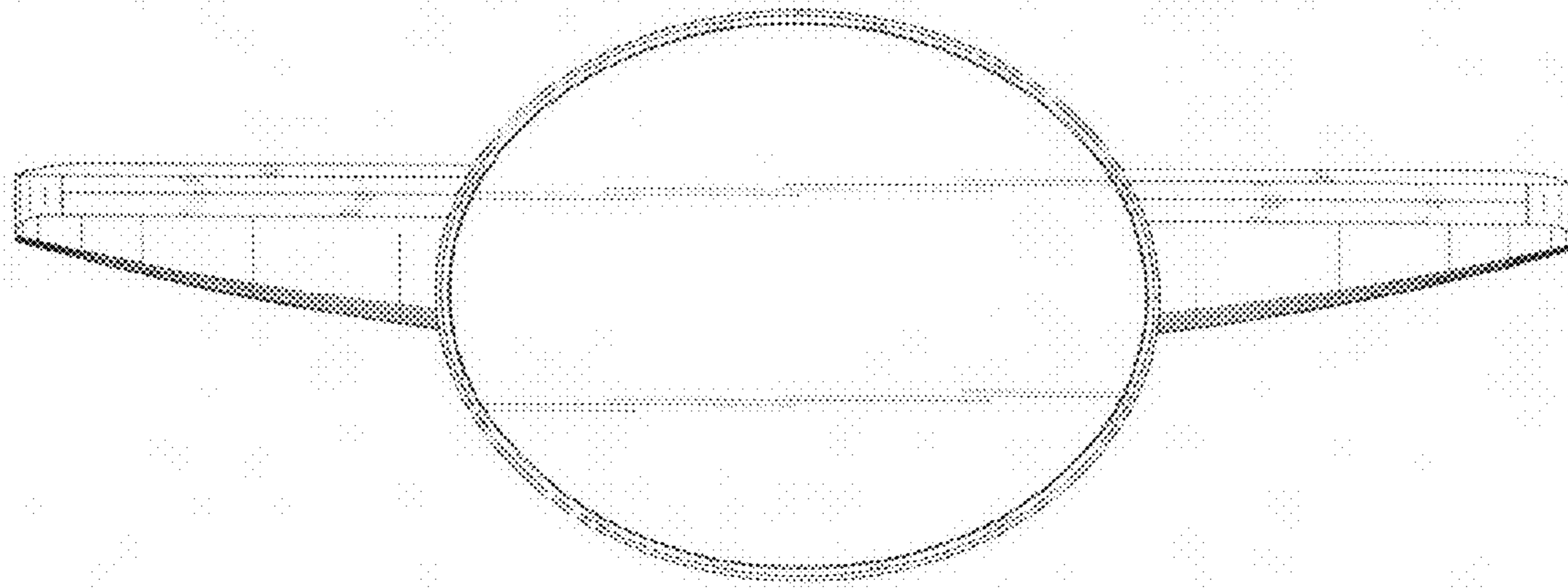


FIG. 7