



US00D630207S

(12) **United States Design Patent**
Seong

(10) **Patent No.:** **US D630,207 S**

(45) **Date of Patent:** **** Jan. 4, 2011**

(54) **ELECTRONIC BOOK**

(75) Inventor: **Bo-Kyung Seong**, Seoul (KR)

(73) Assignee: **Samsung Electronics Co., Ltd.**,
Kyunggi-do (KR)

(**) Term: **14 Years**

(21) Appl. No.: **29/348,534**

(22) Filed: **Jan. 15, 2010**

(51) **LOC (9) Cl.** **14-02**

(52) **U.S. Cl.** **D14/341; D14/346**

(58) **Field of Classification Search** D14/341-347,
D14/137, 138, 138.1, 138 AA, 138 R, 138 AB,
D14/138 G, 138 A, 496, 426, 429, 129, 130,
D14/420, 439-441, 448, 125, 147, 156, 218,
D14/250, 389, 336, 203.1, 203.3, 203.4, 203.7,
D14/315, 388-390; D21/324, 329, 330;
D10/65, 104; D18/6-7; 345/169, 901, 905,
345/156, 157, 168, 173; 361/814, 680, 686,
361/679.27, 679.3; 341/22; 348/168; 379/433.04,
379/433.07, 433.11, 916, 433.01, 433.06
See application file for complete search history.

(56) **References Cited**

U.S. PATENT DOCUMENTS

D321,174 S	*	10/1991	Tsuchiya	D14/368
D337,569 S	*	7/1993	Kando	D14/341
D486,149 S	*	2/2004	Kawami et al.	D14/341
D494,164 S	*	8/2004	Wu et al.	D14/341
D502,944 S	*	3/2005	Kawami et al.	D14/336
D524,308 S	*	7/2006	Lai	D14/346
D572,023 S		7/2008	Park		
D572,025 S		7/2008	Kwon		
D578,526 S		10/2008	Hwangbo		

D580,432 S		11/2008	Yun et al.		
D584,302 S	*	1/2009	Sogabe	D14/341
D598,016 S	*	8/2009	Han et al.	D14/341
D601,559 S	*	10/2009	Green et al.	D14/346
D602,491 S	*	10/2009	Jiang et al.	D14/346
D613,286 S	*	4/2010	Lee et al.	D14/341
2004/0027337	A1*	2/2004	Hunt et al.	345/173
2009/0021478	A1*	1/2009	Lin et al.	345/157

OTHER PUBLICATIONS

U.S. Appl. No. 29/315,361, Applicant: Yong-Joo Lee et al., filed Jun. 18, 2009 entitled Electronic Frame.

U.S. Appl. No. 29/316,951, Applicant: Bo-Kyung Seong filed Nov. 12, 2009 entitled Electronic Book.

* cited by examiner

Primary Examiner—Cathron C Brooks

Assistant Examiner—Barbara Fox

(74) *Attorney, Agent, or Firm*—Flynn, Thiel, Boutell & Tanis, P.C.

(57) **CLAIM**

The ornamental design for an electronic book, as shown and described.

DESCRIPTION

FIG. 1 is a top front perspective view of an electronic book showing my new design;

FIG. 2 is a front elevational view thereof;

FIG. 3 is a rear elevational view thereof;

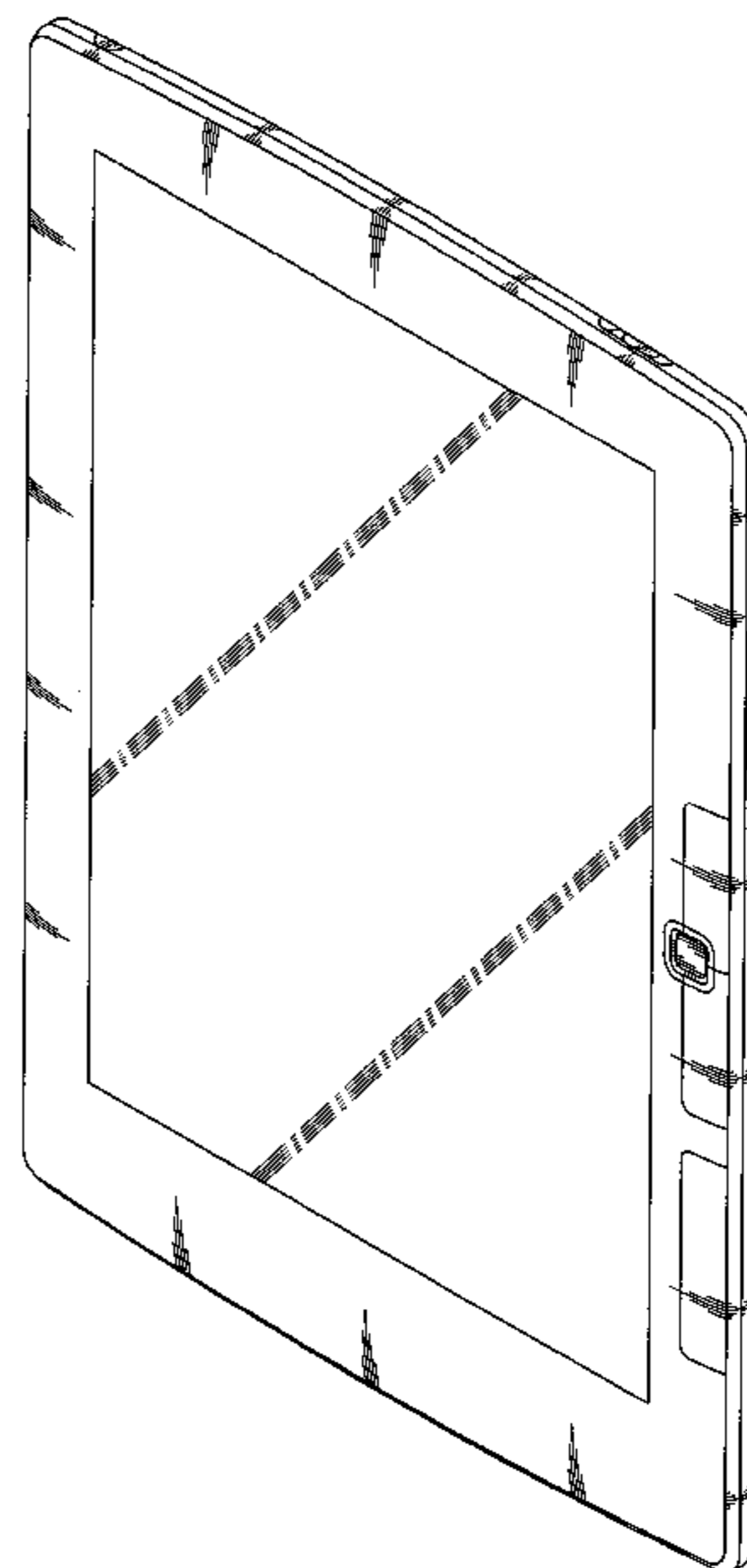
FIG. 4 is a left side elevational view thereof;

FIG. 5 is a right side elevational view thereof;

FIG. 6 is a top plan view thereof; and,

FIG. 7 is a bottom plan view thereof.

1 Claim, 5 Drawing Sheets



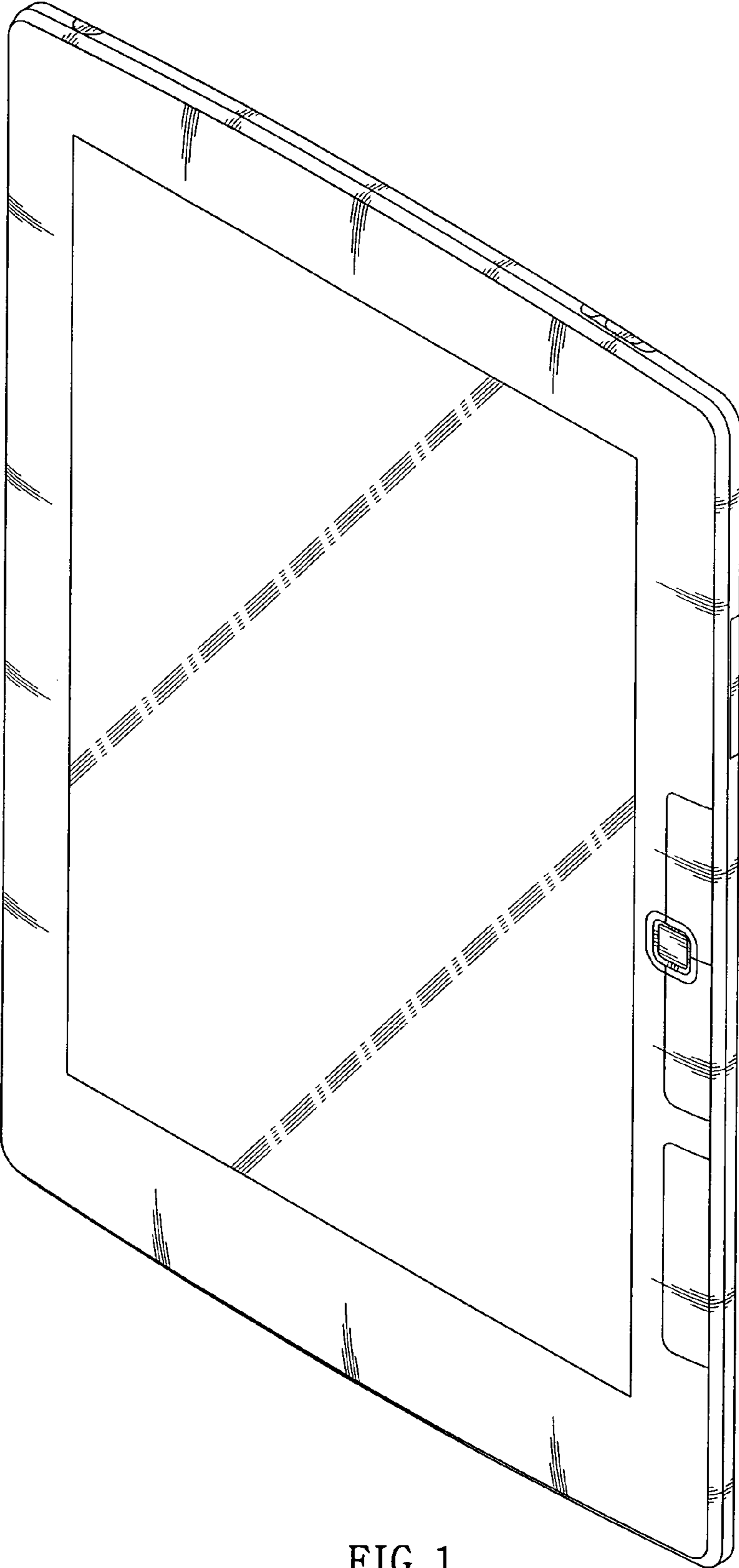


FIG. 1

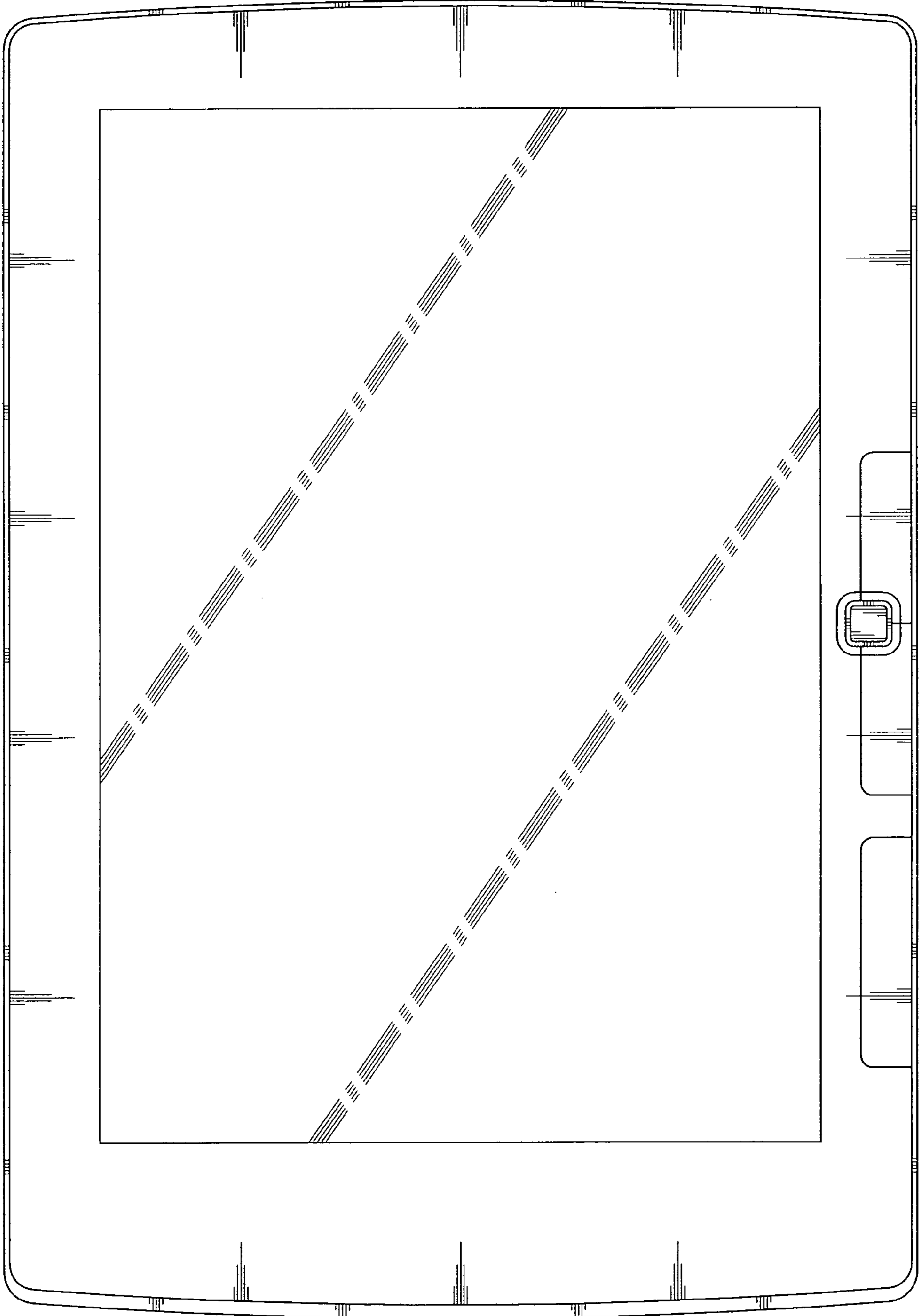


FIG.2

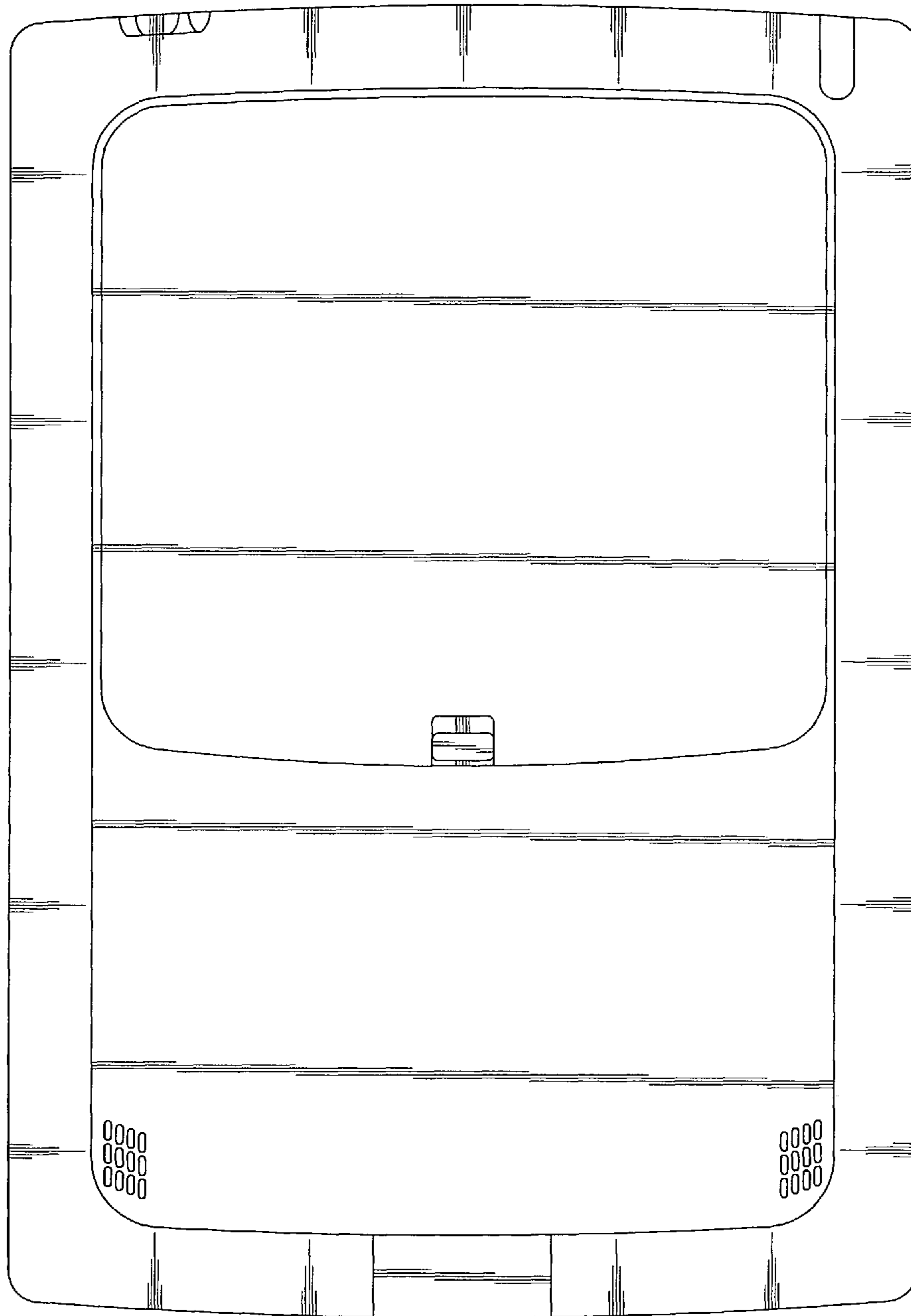


FIG. 3

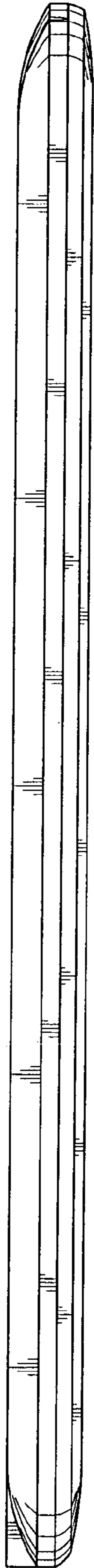


FIG. 4



FIG. 5

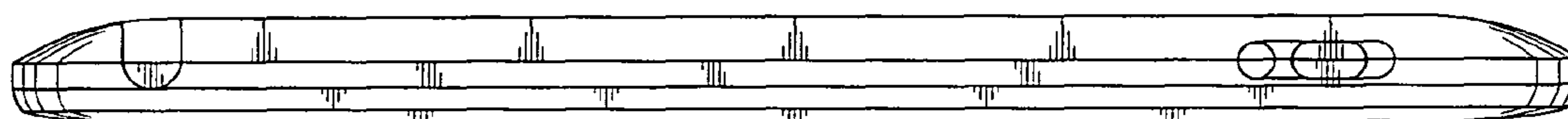


FIG. 6



FIG. 7