

US00D630202S

(12) **United States Design Patent**  
**Boudreau et al.**

(10) **Patent No.:** **US D630,202 S**  
(45) **Date of Patent:** **\*\* Jan. 4, 2011**

(54) **DISPLAY FOR A RADIO FACEPLATE**  
(75) Inventors: **Wilfred Charles Boudreau**, Mundelein, IL (US); **Ramon Sandoval**, Chicago, IL (US); **Jeffrey Patrick Heuel**, Elmhurst, IL (US)  
(73) Assignee: **Cobra Electronics Corporation**, Chicago, IL (US)

D538,255 S 3/2007 Matsuoka  
D550,199 S \* 9/2007 Sato et al. .... D14/168  
D553,643 S 10/2007 Nemoto  
D557,694 S 12/2007 Bey et al.  
D561,754 S 2/2008 Riede  
D571,350 S 6/2008 Iwamoto et al.  
D581,919 S 12/2008 Kim  
7,668,576 B2 2/2010 Ellenbogen et al.  
D625,279 S 10/2010 Boudreau et al.

(\*\*) Term: **14 Years**  
(21) Appl. No.: **29/356,148**  
(22) Filed: **Feb. 19, 2010**

(51) **LOC (9) Cl.** ..... **14-01**  
(52) **U.S. Cl.** ..... **D14/257**  
(58) **Field of Classification Search** ..... D14/496,  
D14/498-511, 135, 137, 157, 167-168, 188,  
D14/197-198, 257-258; 360/99.02, 99.07;  
369/75.11, 75.21, 77.11, 77.21; 720/601,  
720/612, 619, 649, 655; 455/344, 347-351  
See application file for complete search history.

(56) **References Cited**

**U.S. PATENT DOCUMENTS**

D288,806 S 3/1987 Stoddard et al.  
5,477,432 A \* 12/1995 Magic et al. .... D14/258  
5,862,468 A 1/1999 Kim  
D405,094 S \* 2/1999 Buckingham et al. .... D14/258  
D438,520 S 3/2001 Nose et al.  
D443,609 S \* 6/2001 Buckingham et al. .... D14/258  
D454,552 S \* 3/2002 Nakane ..... D14/168  
D454,855 S \* 3/2002 Nakane ..... D14/168  
D462,951 S 9/2002 Storti et al.  
D476,651 S 7/2003 Clark et al.  
D479,524 S \* 9/2003 Nara ..... D14/258  
D479,525 S \* 9/2003 Nara ..... D14/258  
D517,022 S \* 3/2006 Pollard ..... D13/167

**OTHER PUBLICATIONS**

Motorola GM338 Mobile Radio, [online], [retrieved on Mar. 2005]. Retrieved from Internet, <URL: <http://www.telesources.com>>.  
ICOM IC-M504 VHF Marine Mobile Transceiver, [online], [retrieved on Jan. 6, 2010]. Retrieved from Internet, <URL: <http://www.twowayradioonline.com>>.

\* cited by examiner

*Primary Examiner*—Nanda Bondade  
(74) *Attorney, Agent, or Firm*—Hitchcock Evert LLP

(57) **CLAIM**

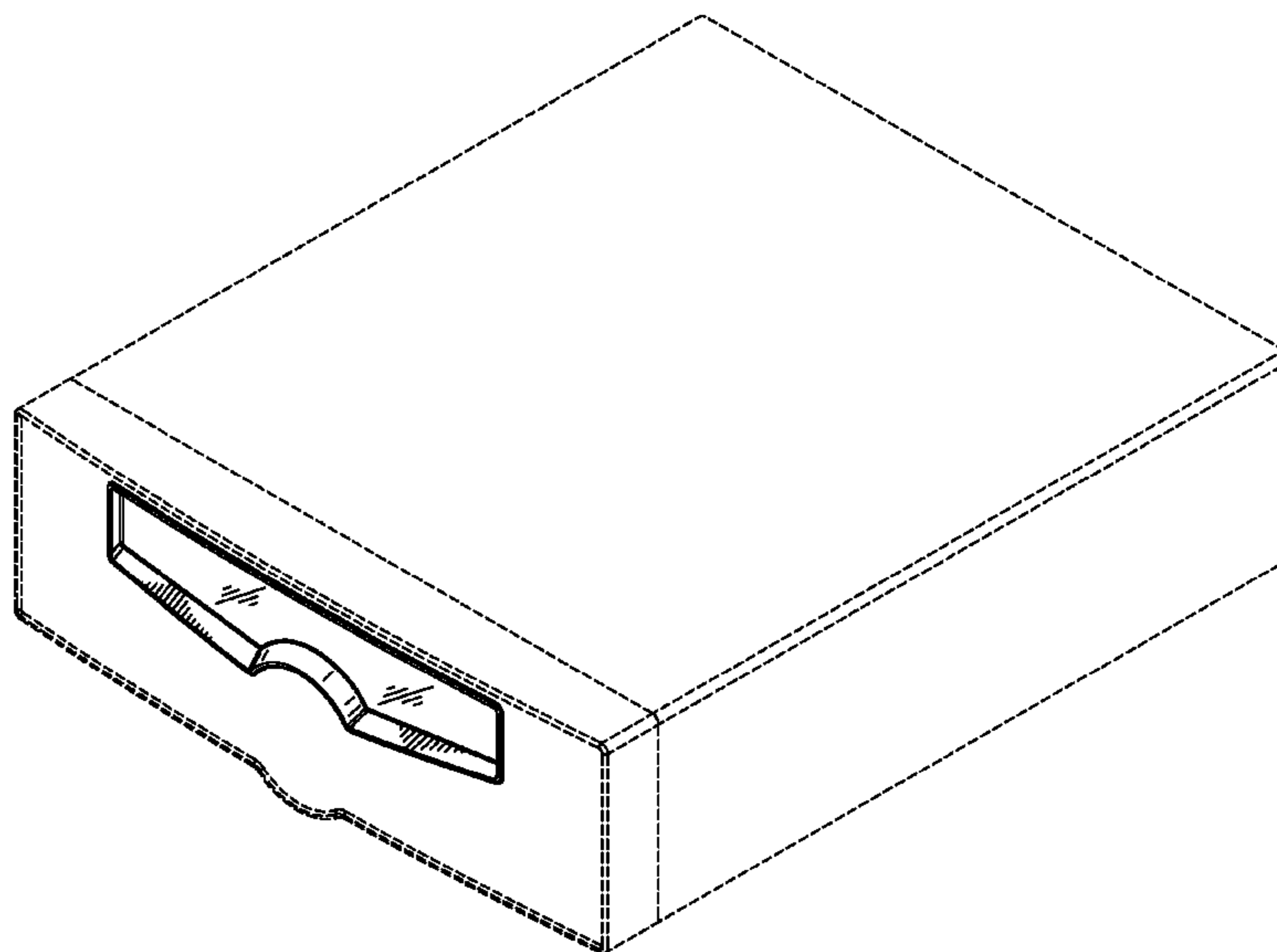
The ornamental design for a display for a radio faceplate, as shown and described.

**DESCRIPTION**

FIG. 1 is a perspective view of a display for a radio faceplate; FIG. 2 is a front view thereof; FIG. 3 is a back view thereof; FIG. 4 is a right side view thereof; FIG. 5 is a left side view thereof; FIG. 6 is a top view thereof; and, FIG. 7 is a bottom view thereof.

The broken lines of a radio body and faceplate are for illustrative purposes only and form no part of the claimed design.

**1 Claim, 5 Drawing Sheets**



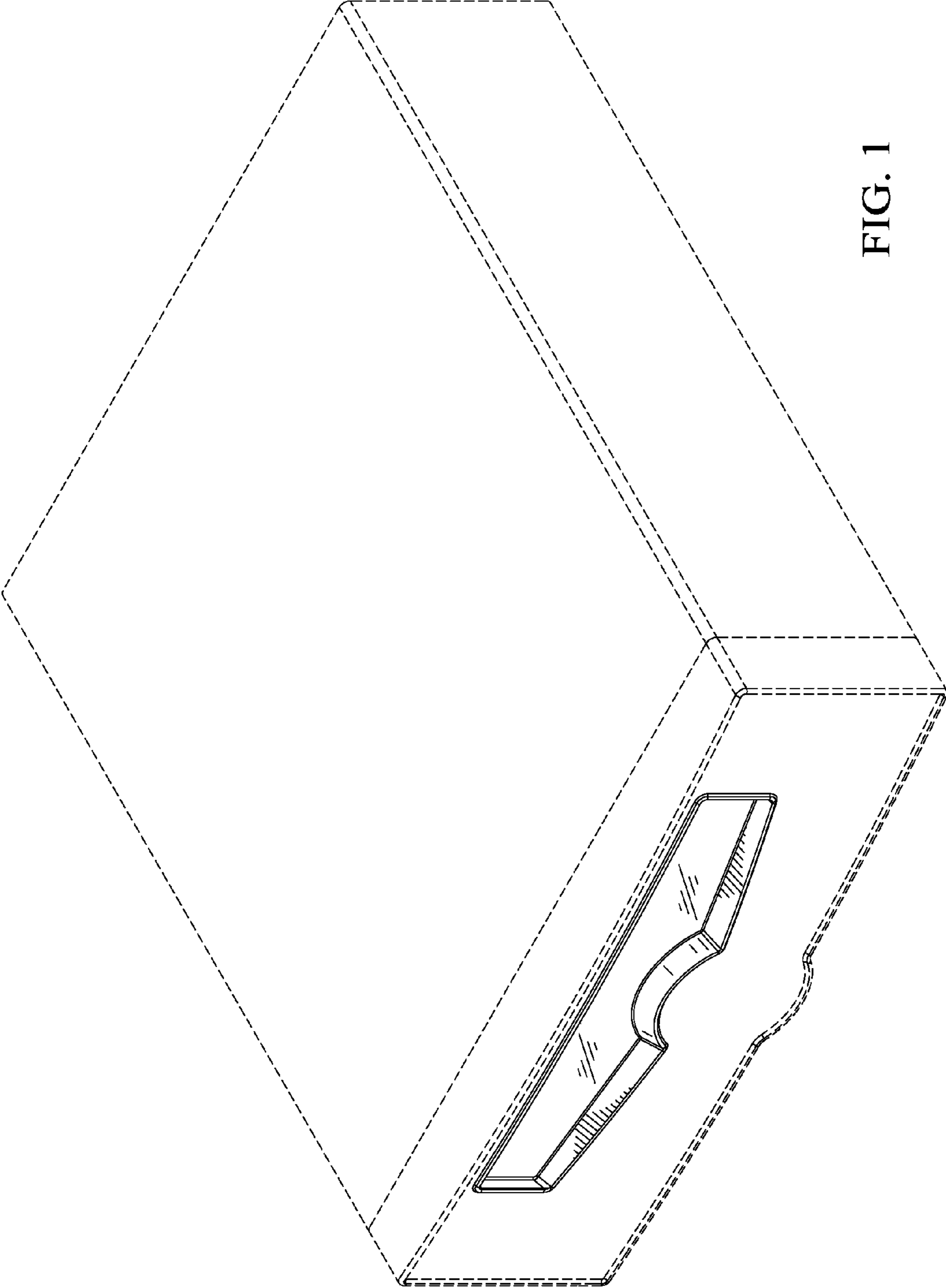


FIG. 1

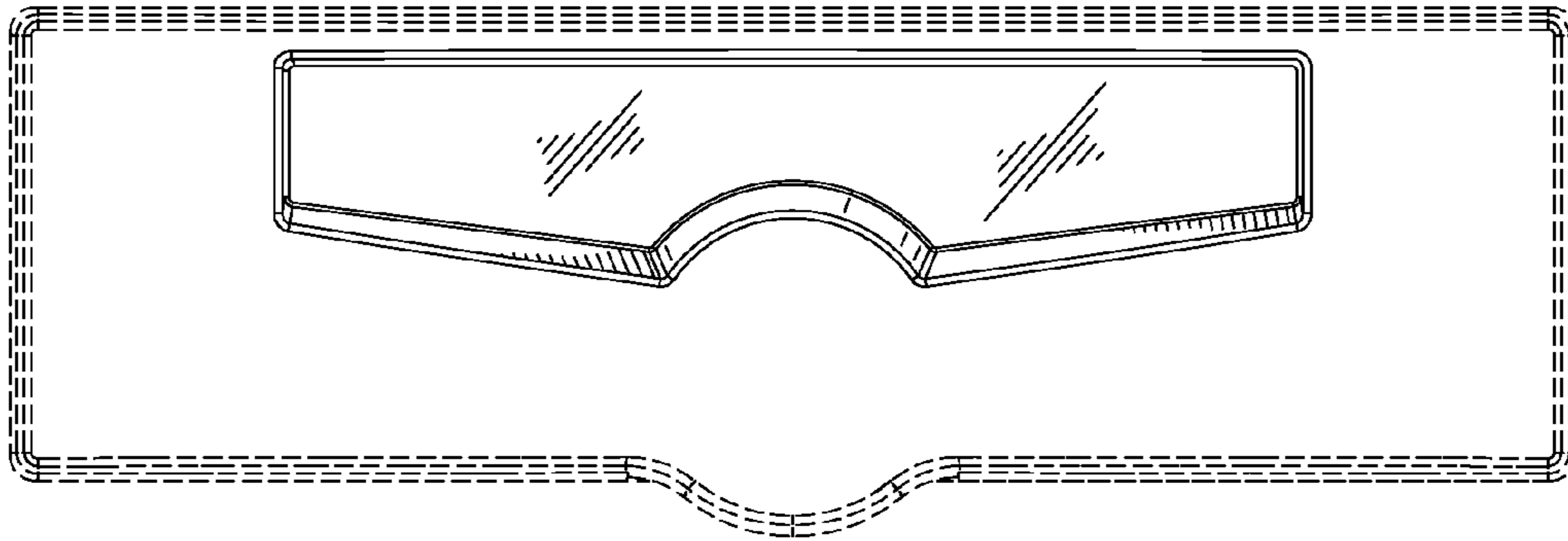


FIG. 2



FIG. 3

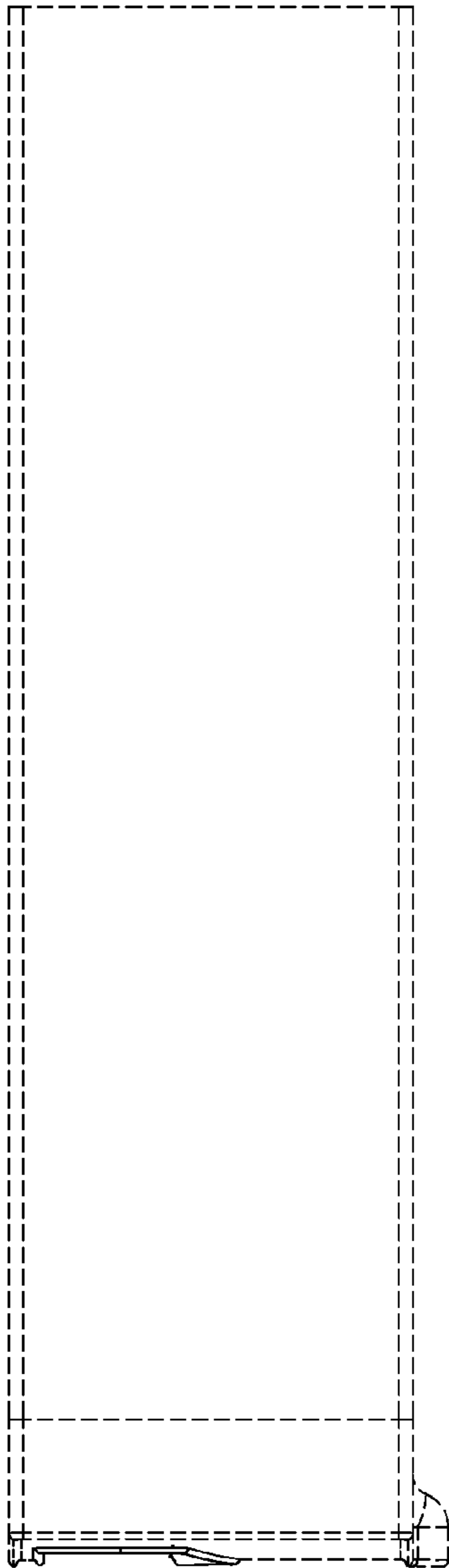


FIG. 4

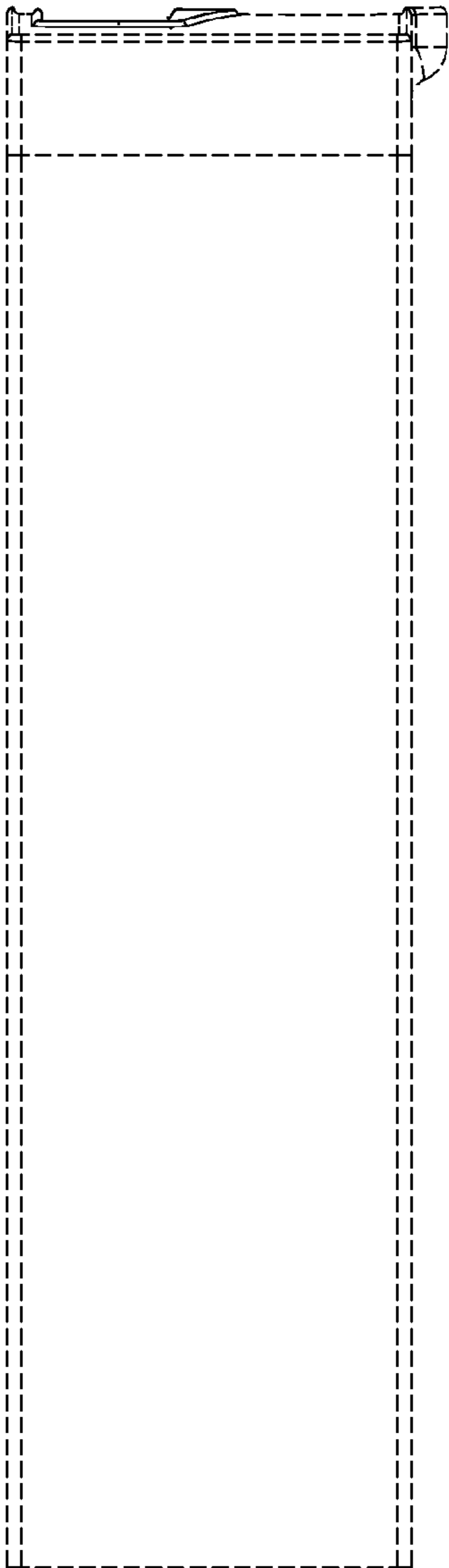


FIG. 5

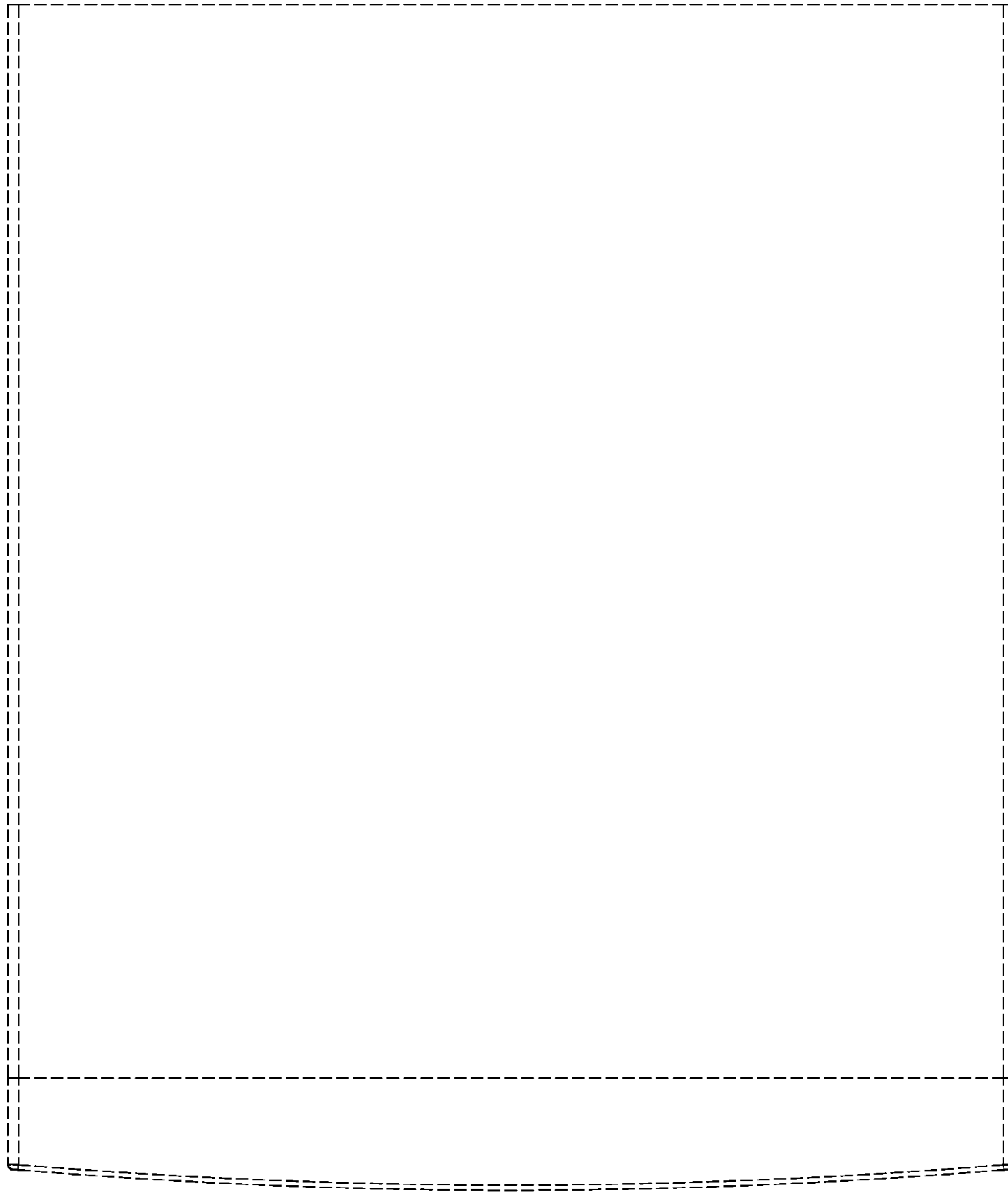


FIG. 6

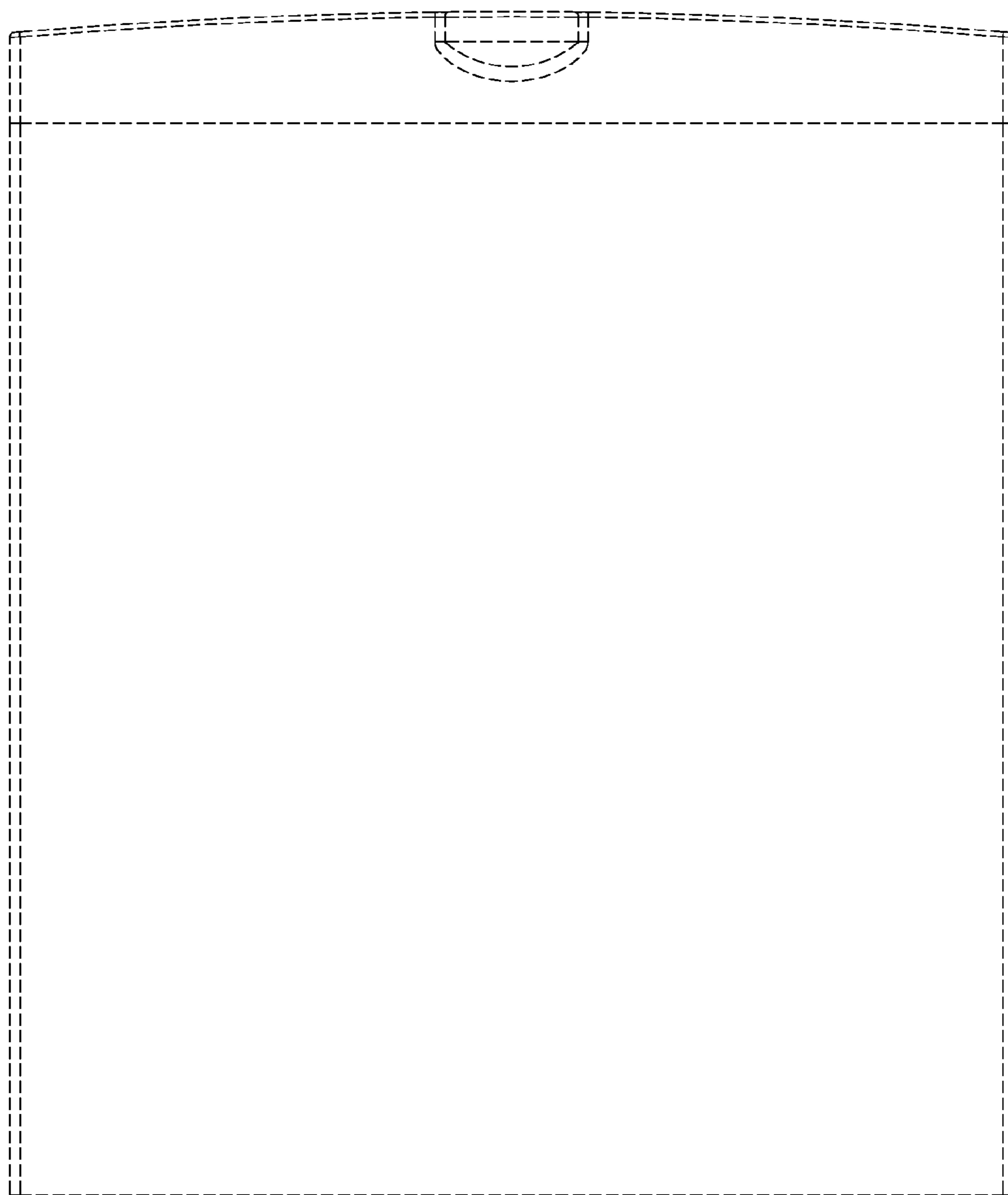


FIG. 7