



US00D630198S

(12) **United States Design Patent**
Wilkens et al.

(10) **Patent No.:** **US D630,198 S**

(45) **Date of Patent:** **** *Jan. 4, 2011**

(54) **TELEVISION RECEIVER FOR MOBILE TELEPHONE**

(75) Inventors: **Dann Wilkens**, Cardiff, CA (US); **Leon Chicheportiche**, Nice (FR); **Steve Rossi**, Orange, CA (US); **Chris Johnson**, Chicago, IL (US); **Nasahn Sheppard**, Mill Valley, CA (US); **Heinz-Dominik Langhammer**, San Francisco, CA (US); **Deena Allison Rosen**, Washington, DC (US)

(73) Assignee: **Packet Video Corporation**, San Diego, CA (US)

(*) Notice: This patent is subject to a terminal disclaimer.

(**) Term: **14 Years**

(21) Appl. No.: **29/307,342**

(22) Filed: **Apr. 15, 2008**

(51) **LOC (9) Cl.** **14-01**

(52) **U.S. Cl.** **D14/240**

(58) **Field of Classification Search** D14/137, D14/140-140.9, 155, 167, 188, 204, 205, D14/207, 210, 215, 218, 230-237, 240, 242, D14/302, 314, 132-134, 348-358, 363, 383, D14/433, 435.1, 496; D13/149, 184, 137.1-139.8, D13/110, 144; 711/100, 115; 361/685, 725, 361/752; 369/272.1, 273, 75.11; 360/133, 360/79.01, 97.03; 379/220.01, 221.09, 220.14, 379/25, 93.09, 93.19, 156, 900, 338-339, 379/441

See application file for complete search history.

(56) **References Cited**

U.S. PATENT DOCUMENTS

D350,134 S * 8/1994 Kanno D14/198

D352,714 S * 11/1994 Ichikawa et al. D14/188
D383,115 S * 9/1997 Nagele et al. D13/110
D454,568 S 3/2002 Andre et al.
D479,823 S * 9/2003 Andre et al. D13/110
D490,080 S * 5/2004 Alviar et al. D14/433
D503,679 S * 4/2005 Andre et al. D13/110
D504,421 S * 4/2005 Nilsen et al. D14/240
D519,922 S * 5/2006 Andre et al. D13/110
D572,250 S * 7/2008 Yang D14/358
D592,665 S 5/2009 Andre et al.
D599,738 S * 9/2009 Amidei et al. D13/110

* cited by examiner

Primary Examiner—Ian Simmons

Assistant Examiner—Charles D Hanson

(74) *Attorney, Agent, or Firm*—Patents + TMS, P.C.

(57) **CLAIM**

The ornamental design for the television receiver for a mobile telephone, as shown.

DESCRIPTION

FIG. 1 is a perspective view of a television receiver for a mobile telephone;

FIG. 2 is a side view thereof;

FIG. 3 is a front view thereof;

FIG. 4 is a rear view thereof;

FIG. 5 is a top view thereof; and,

FIG. 6 is a bottom view thereof.

The broken line showing is included for the purpose of illustrating environment and forms no part of the claimed design.

1 Claim, 2 Drawing Sheets

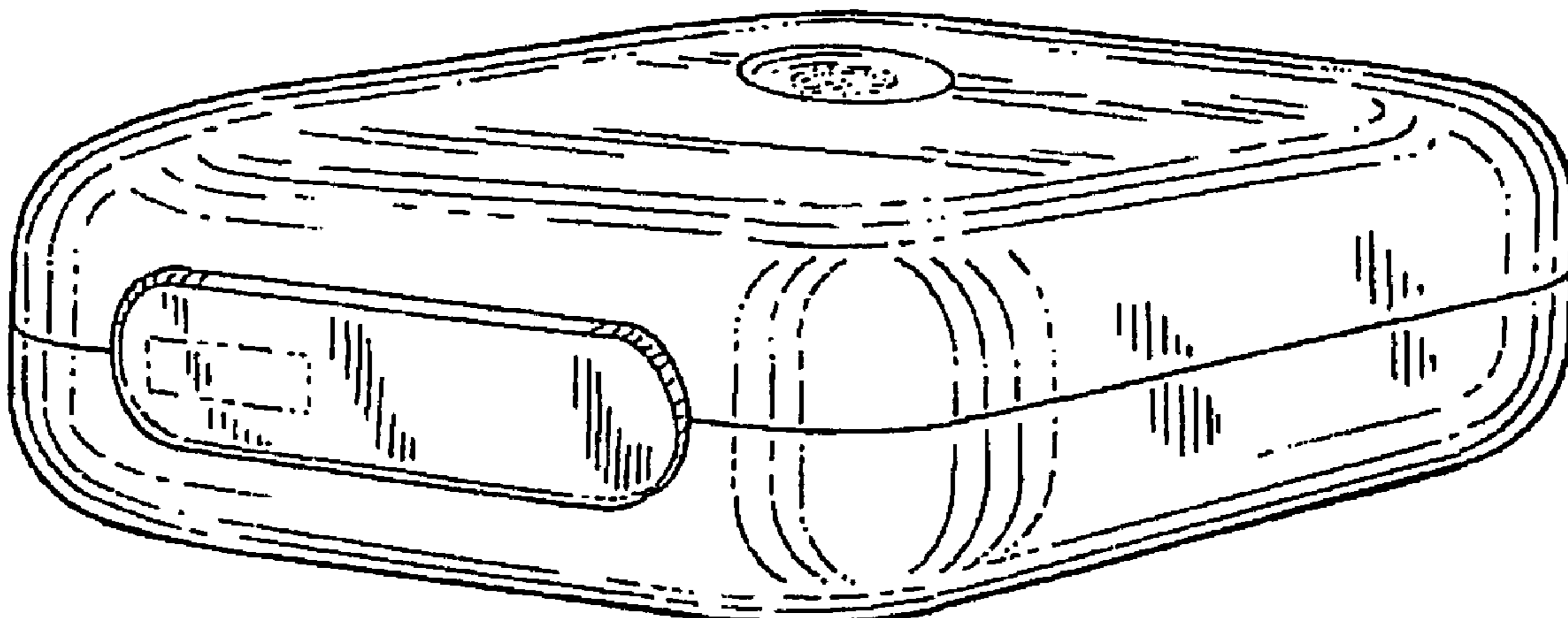


FIG. 1

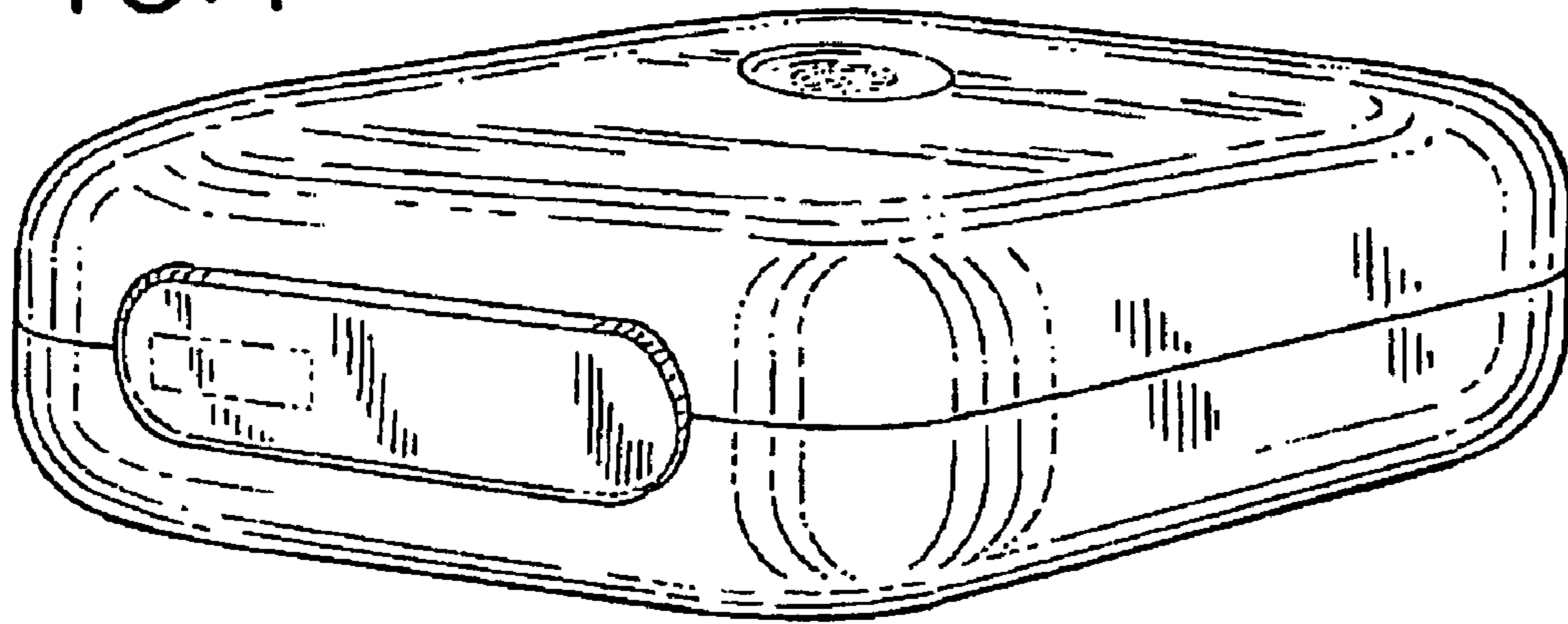


FIG. 2

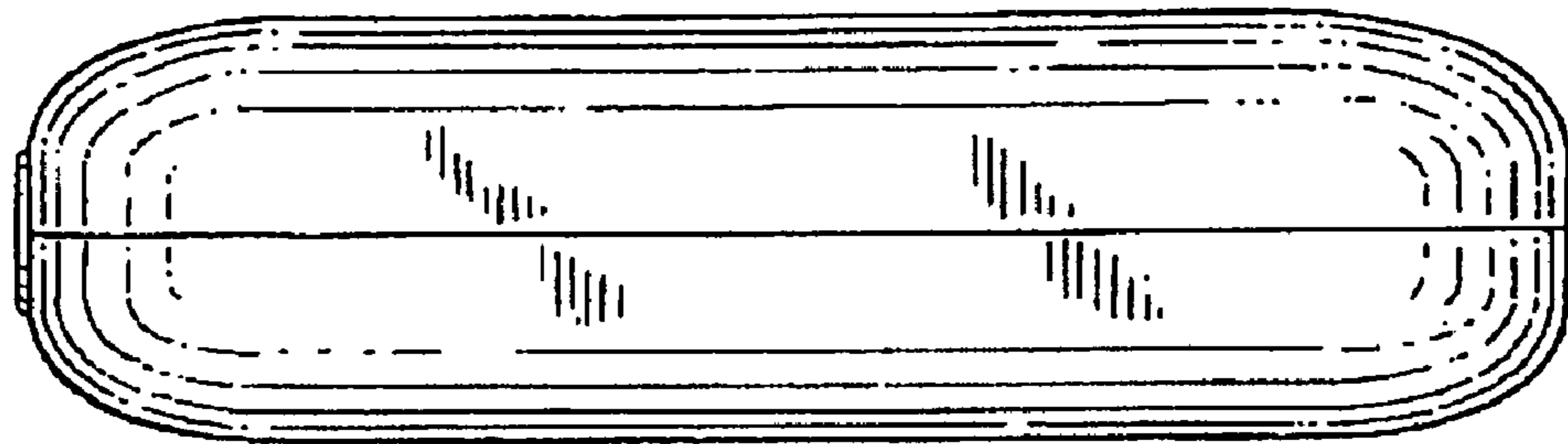


FIG. 3

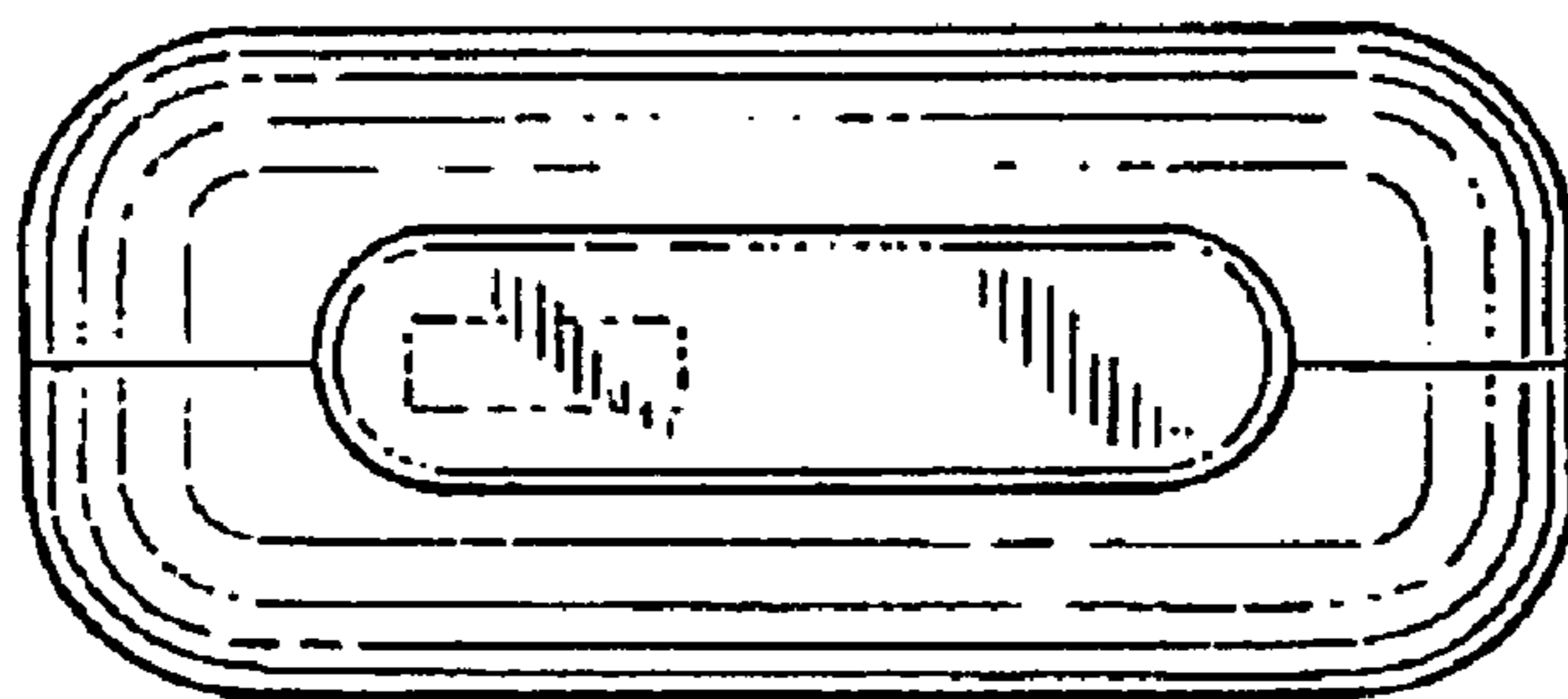


FIG. 4

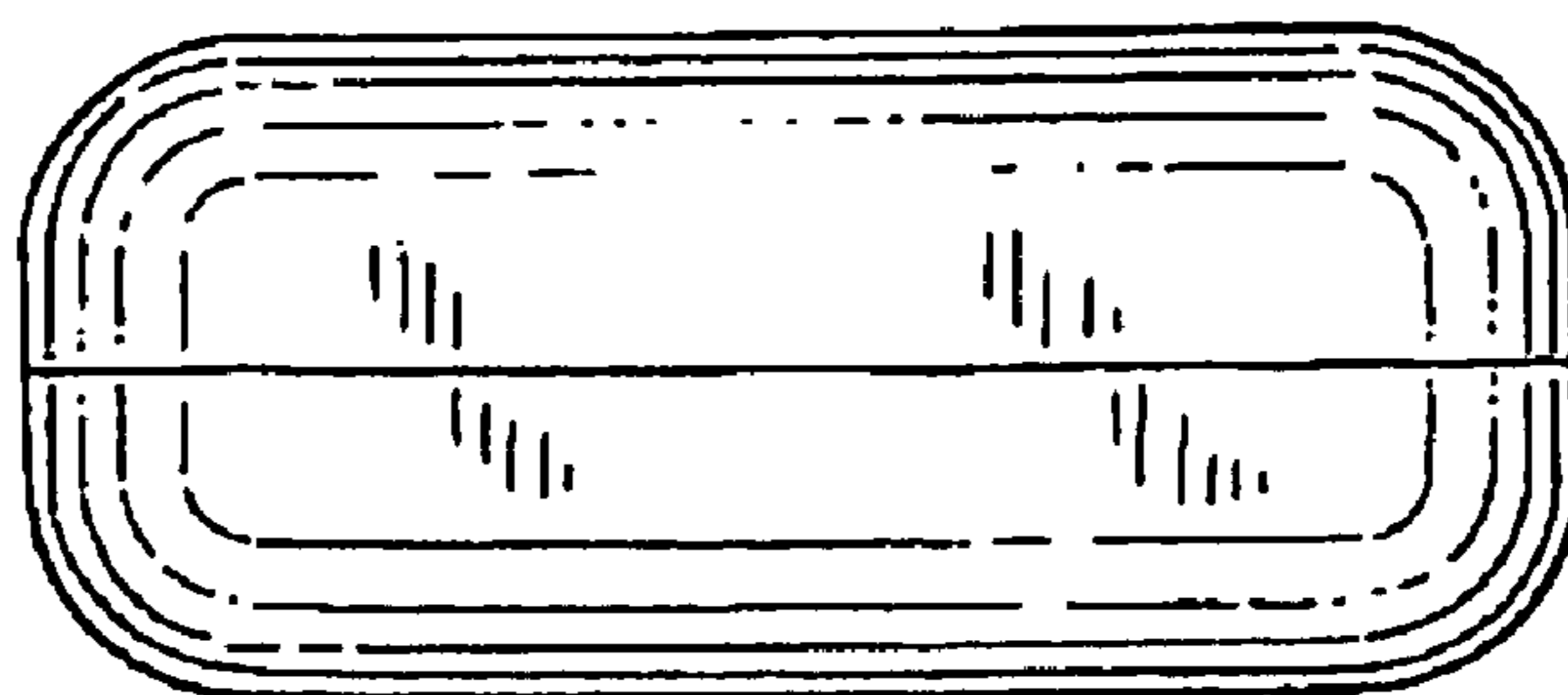


FIG. 5

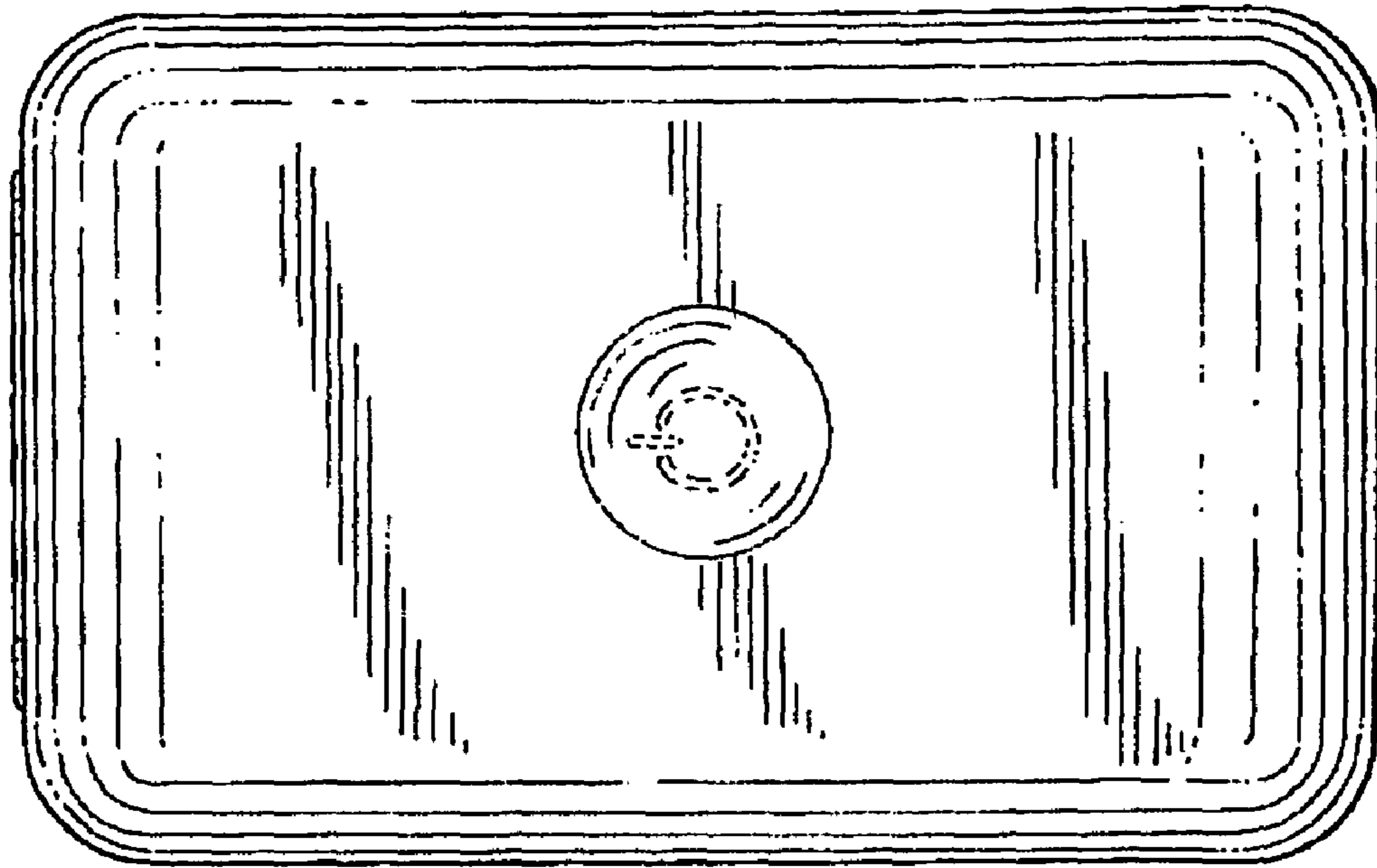


FIG. 6

