



US00D630195S

(12) **United States Design Patent**  
**Su et al.**

(10) **Patent No.:** **US D630,195 S**  
(45) **Date of Patent:** **\*\* Jan. 4, 2011**

- (54) **DOUBLE-BAND ANTENNA**
- (75) Inventors: **Jia-Hung Su**, Tu-Cheng (TW); **Kai Shih**, Tu-Cheng (TW)
- (73) Assignee: **Cheng Uei Precision Industry Co., Ltd.**, Tu-Cheng, Taipei Hsien (TW)
- (\*\*) Term: **14 Years**
- (21) Appl. No.: **29/365,829**
- (22) Filed: **Jul. 15, 2010**
- (51) **LOC (9) Cl.** ..... **14-03**
- (52) **U.S. Cl.** ..... **D14/230**
- (58) **Field of Classification Search** ..... D14/138, D14/230-238, 299, 358; D12/42, 43; 343/700 MS, 343/700 R-705, 711-713, 741, 748, 767, 343/795, 819, 840, 846, 866, 871-908; 455/90.2, 455/90.3, 91, 128, 269, 344, 347, 562.1; 333/193, 195  
See application file for complete search history.

7,642,966	B2 *	1/2010	Vance	.....	343/700 MS
7,646,350	B2 *	1/2010	Chuang et al.	.....	343/702
7,667,663	B2 *	2/2010	Hsiao et al.	.....	343/850
7,701,402	B2 *	4/2010	Tsai et al.	.....	343/702
7,705,792	B2 *	4/2010	Qi et al.	.....	343/702
7,728,776	B2 *	6/2010	Lin et al.	.....	343/702
2003/0189522	A1 *	10/2003	Zeilinger	.....	343/702
2008/0030411	A1 *	2/2008	Wen et al.	.....	343/702
2008/0074332	A1 *	3/2008	Arronte et al.	.....	343/702
2008/0291095	A1 *	11/2008	Krishtul	.....	343/702
2009/0146906	A1 *	6/2009	Anguera Pros et al.	.....	343/906

\* cited by examiner

*Primary Examiner*—Celia A Murphy  
*Assistant Examiner*—John Windmuller  
(74) *Attorney, Agent, or Firm*—Cheng-Ju Chiang

(57) **CLAIM**

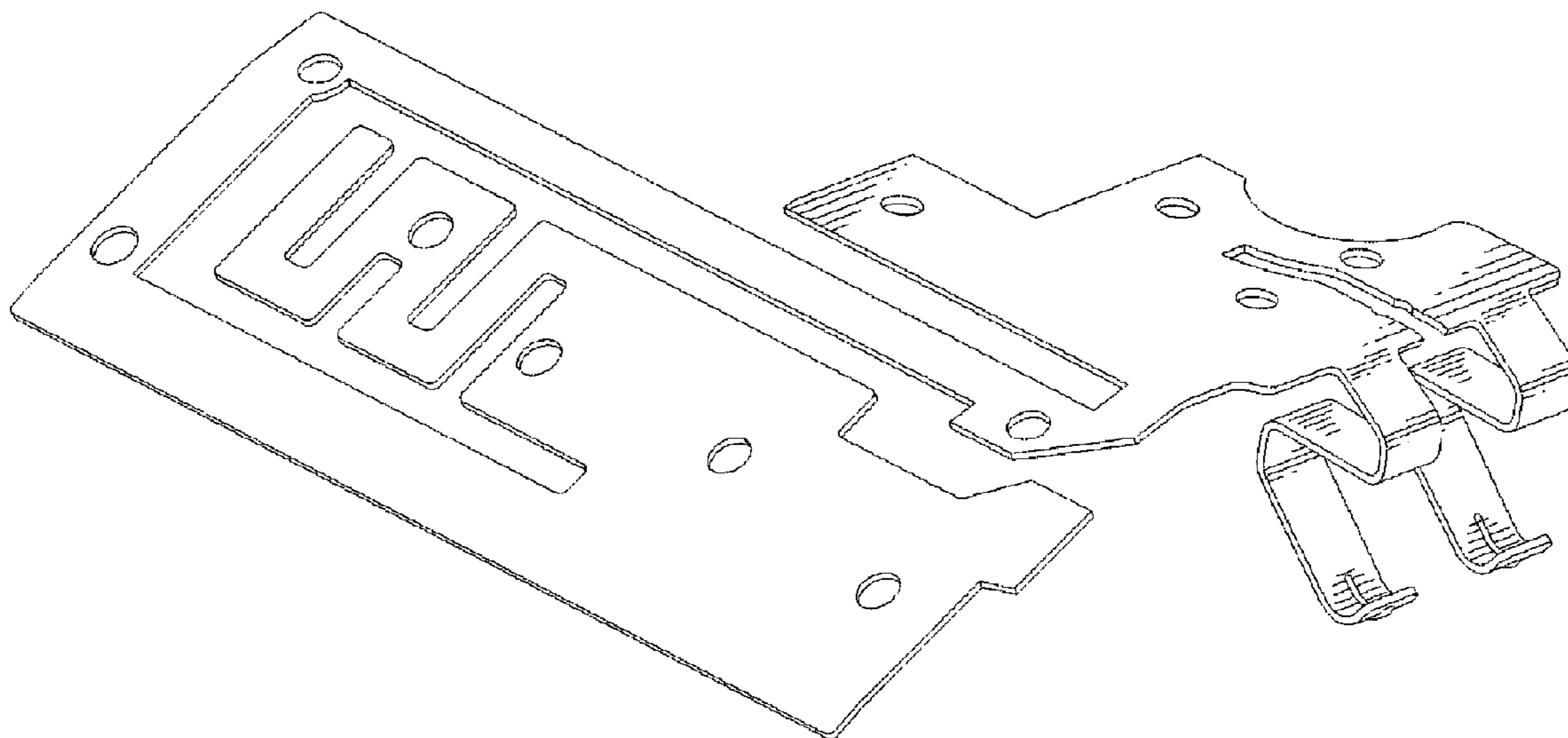
The ornamental design for a double-band antenna, as shown and described.

**DESCRIPTION**

FIG. 1 is a perspective view of a double-band antenna showing our new design;  
FIG. 2 is a front elevational view thereof  
FIG. 3 is a rear elevational view thereof;  
FIG. 4 is a left side elevational view thereof;  
FIG. 5 is a right side elevational view thereof;  
FIG. 6 is a top plan view thereof; and,  
FIG. 7 is a bottom plan view thereof.

**1 Claim, 7 Drawing Sheets**

- (56) **References Cited**  
U.S. PATENT DOCUMENTS
- |           |      |         |                 |       |            |
|-----------|------|---------|-----------------|-------|------------|
| 6,864,854 | B2 * | 3/2005  | Dai et al.      | ..... | 343/846    |
| 7,308,291 | B2 * | 12/2007 | Kenoun et al.   | ..... | 455/575.7  |
| D581,910  | S *  | 12/2008 | Takisawa et al. | ..... | D14/230    |
| D603,850  | S *  | 11/2009 | Wu et al.       | ..... | D14/230    |
| D606,053  | S *  | 12/2009 | Wu et al.       | ..... | D14/230    |
| 7,626,551 | B2 * | 12/2009 | Chien et al.    | ..... | 343/700 MS |
| 7,629,932 | B2 * | 12/2009 | Wang et al.     | ..... | 343/702    |
| D608,354  | S *  | 1/2010  | Yang et al.     | ..... | D14/230    |



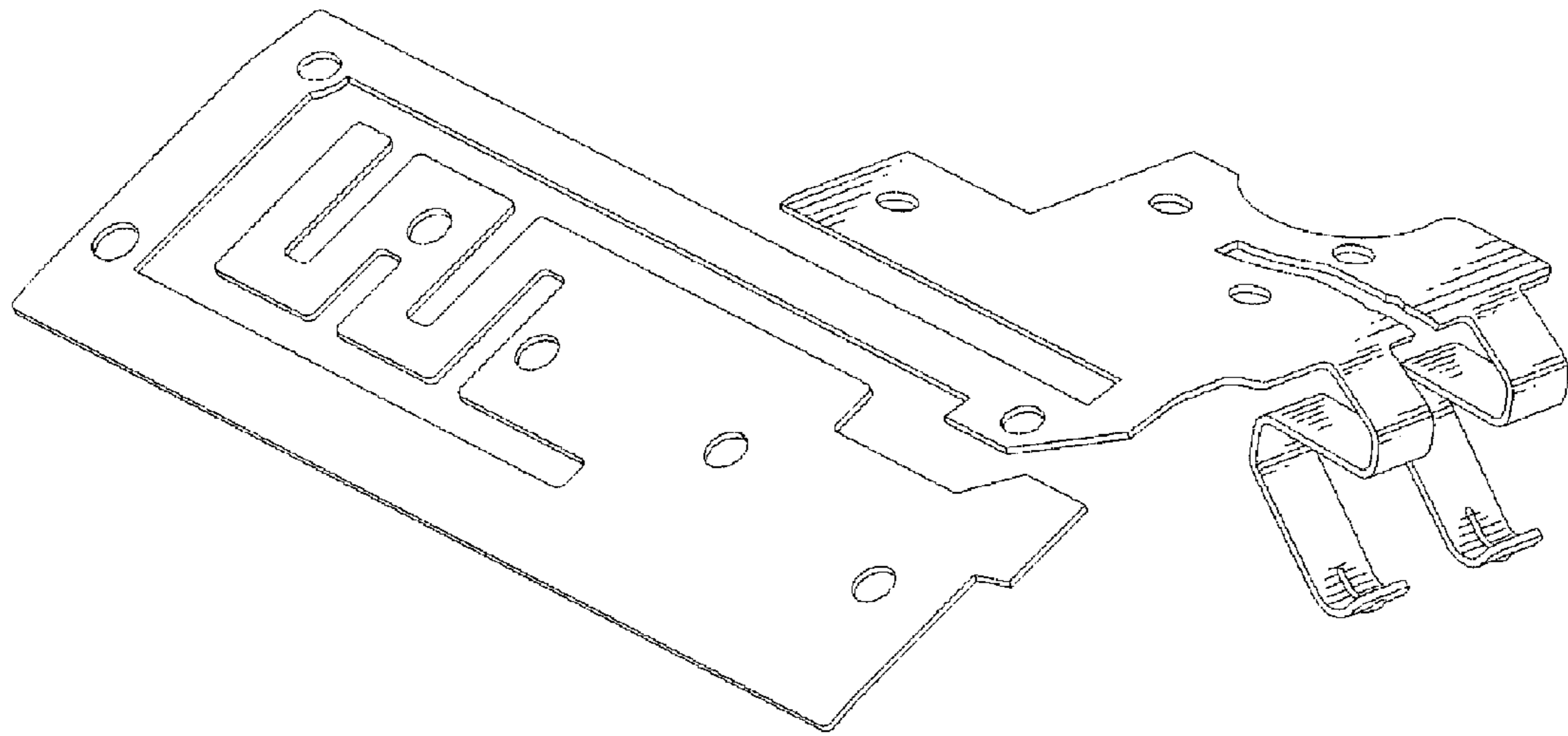


FIG. 1

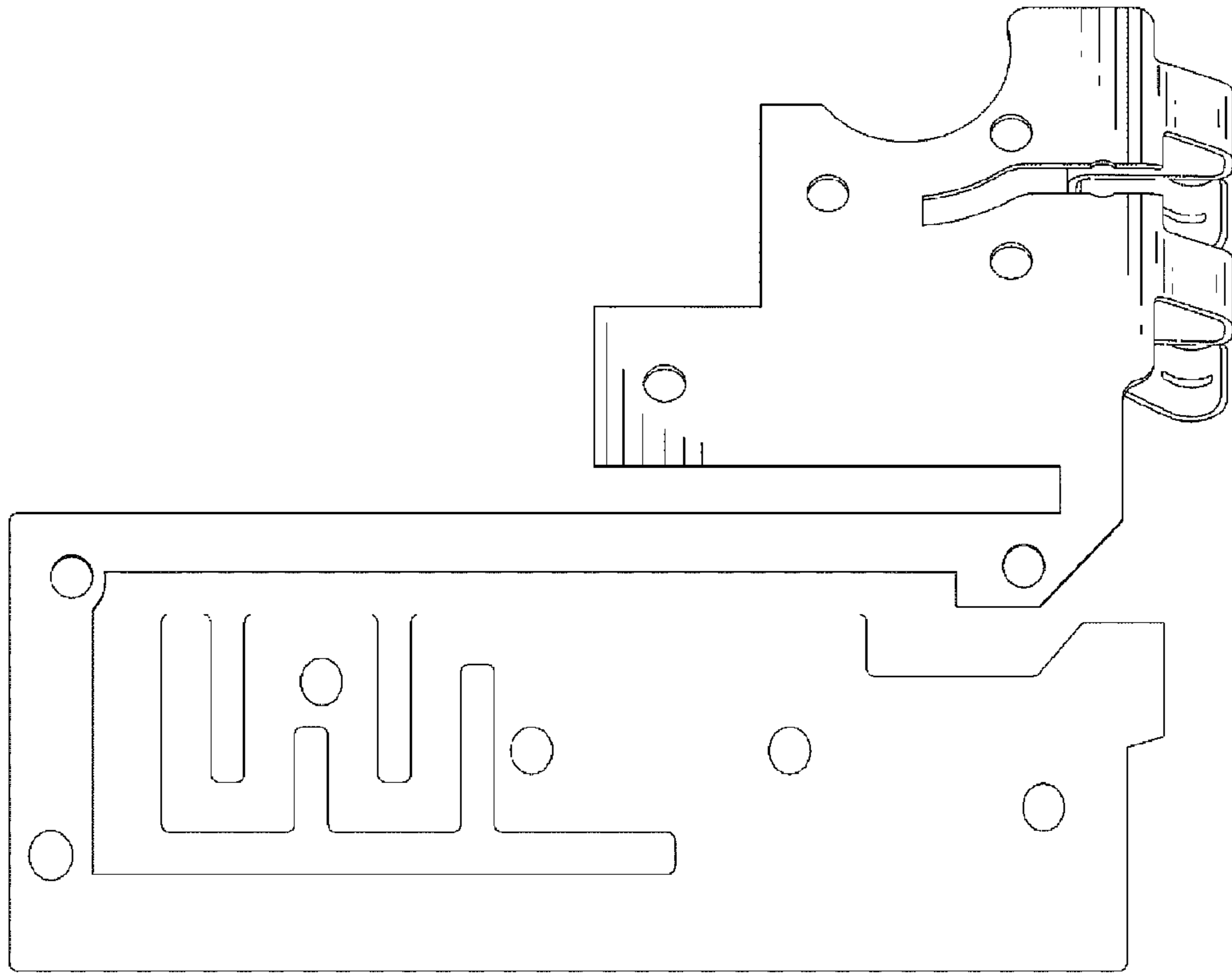


FIG. 2

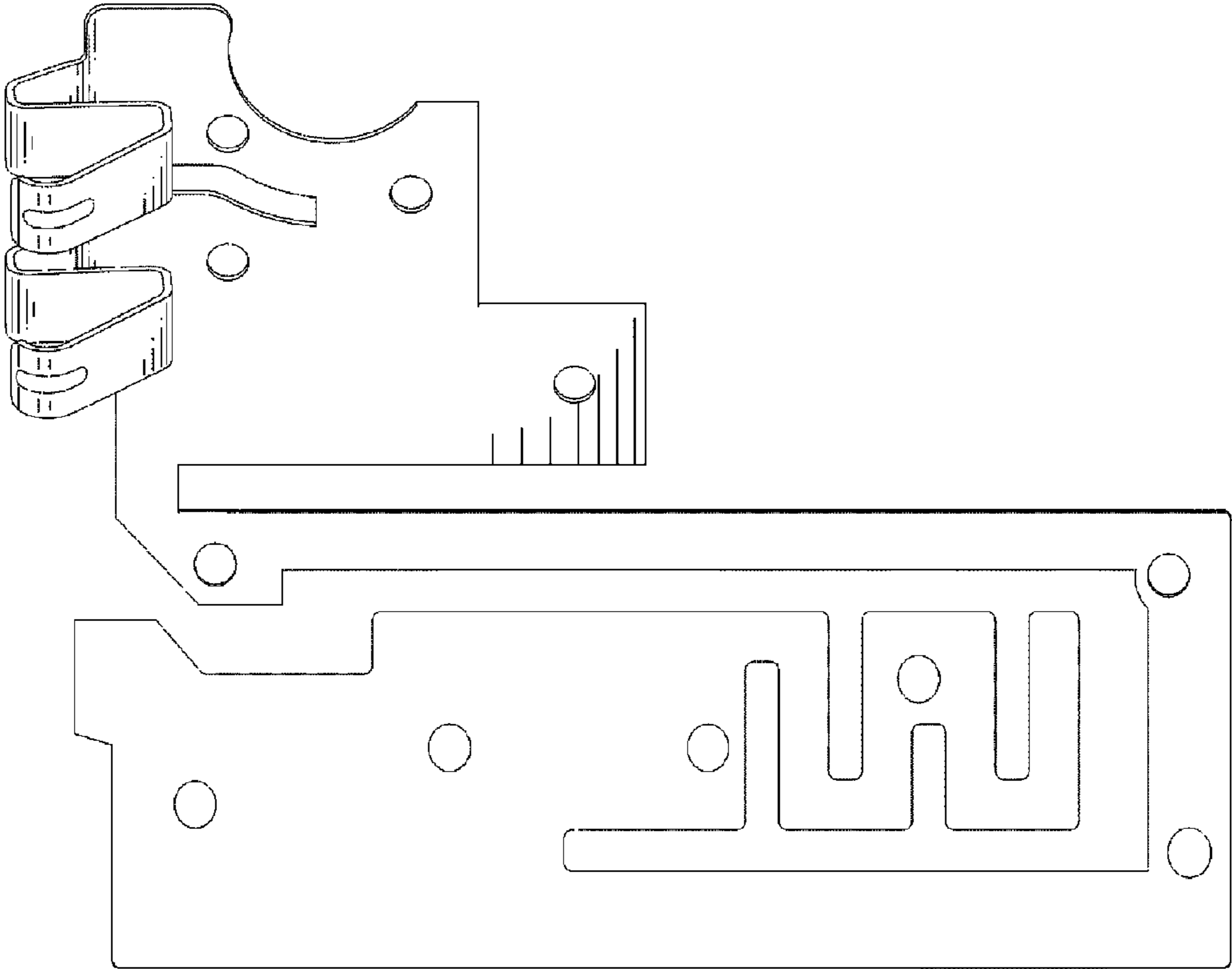


FIG. 3

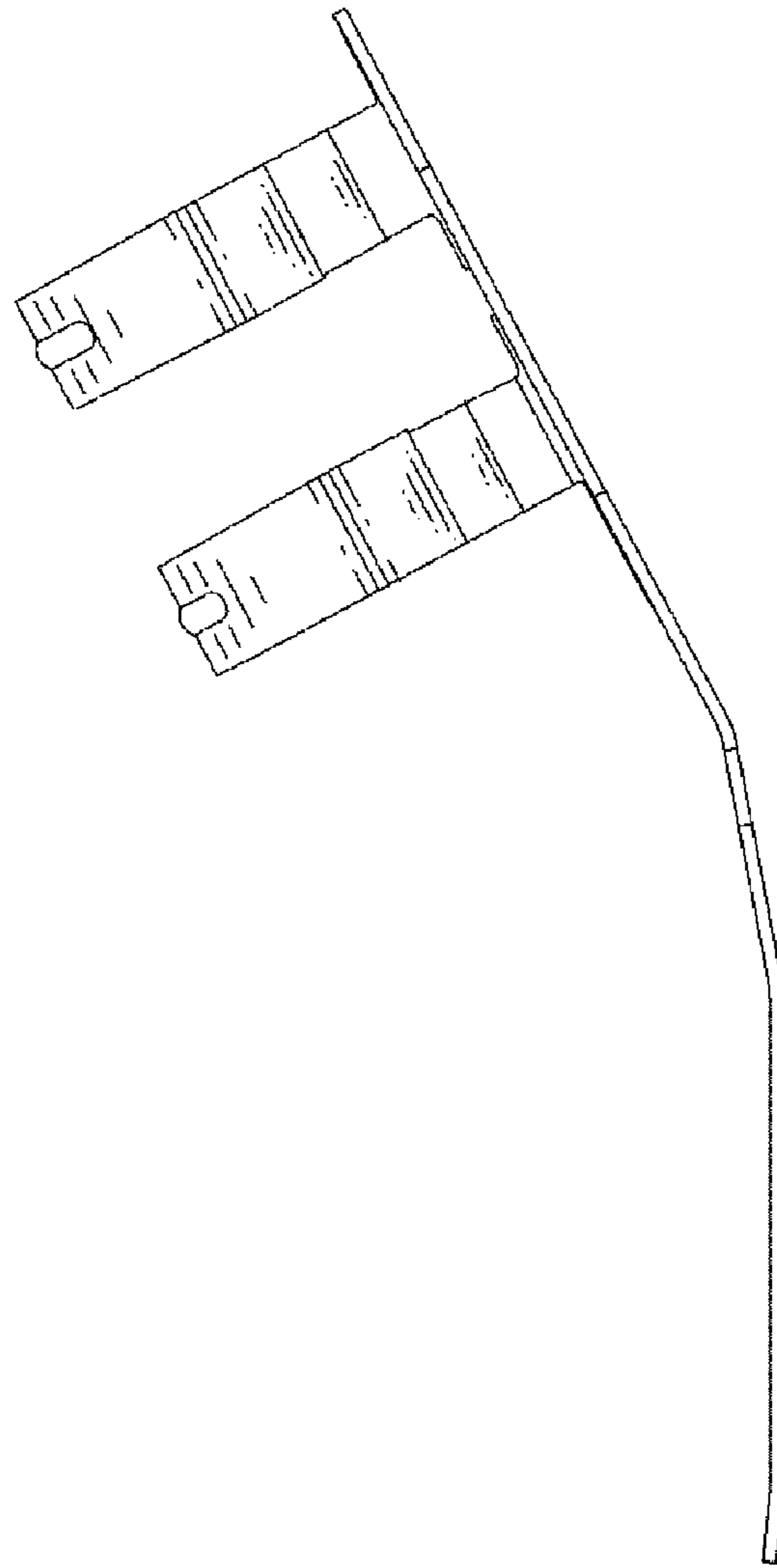


FIG. 4

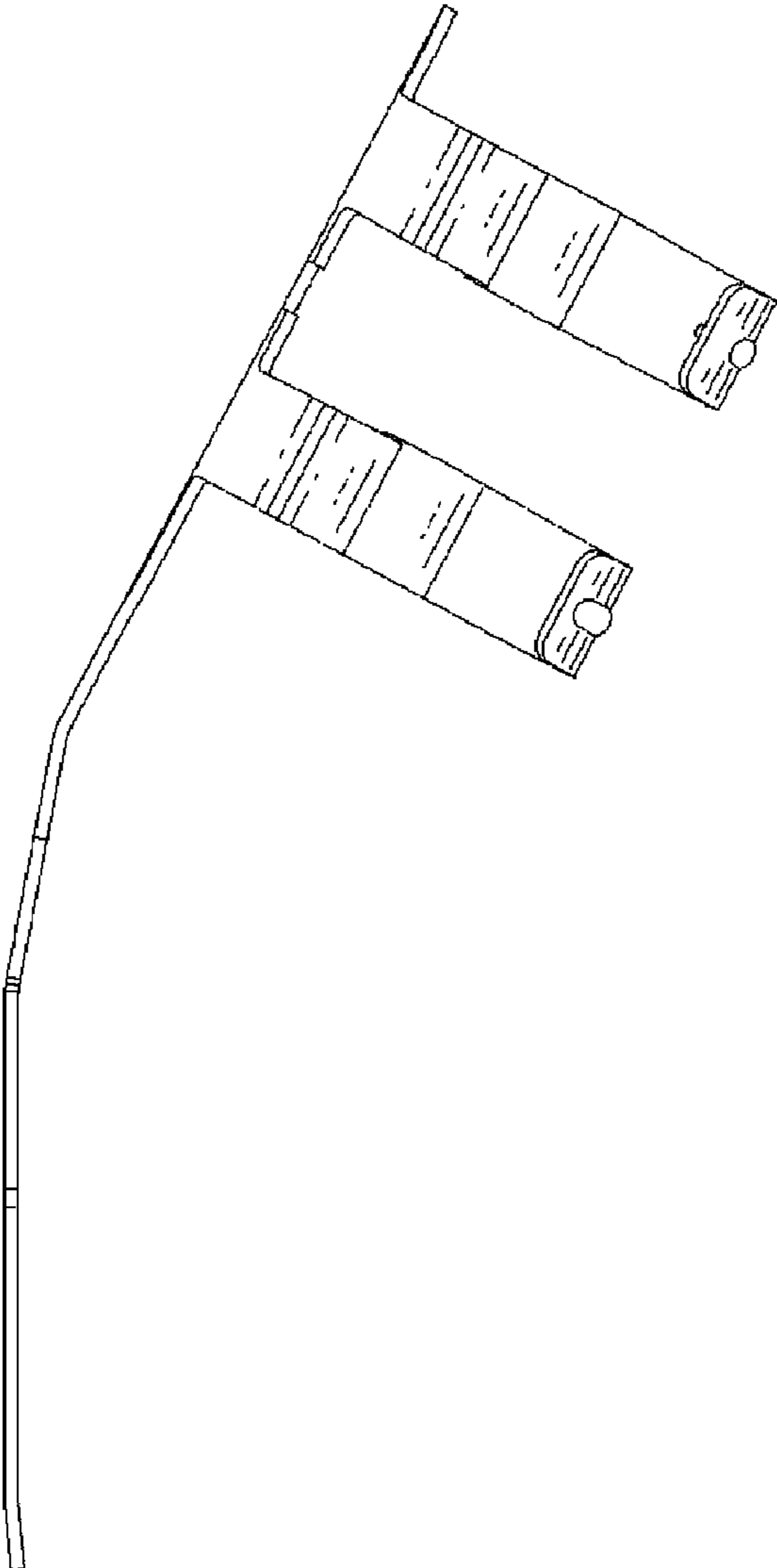


FIG. 5

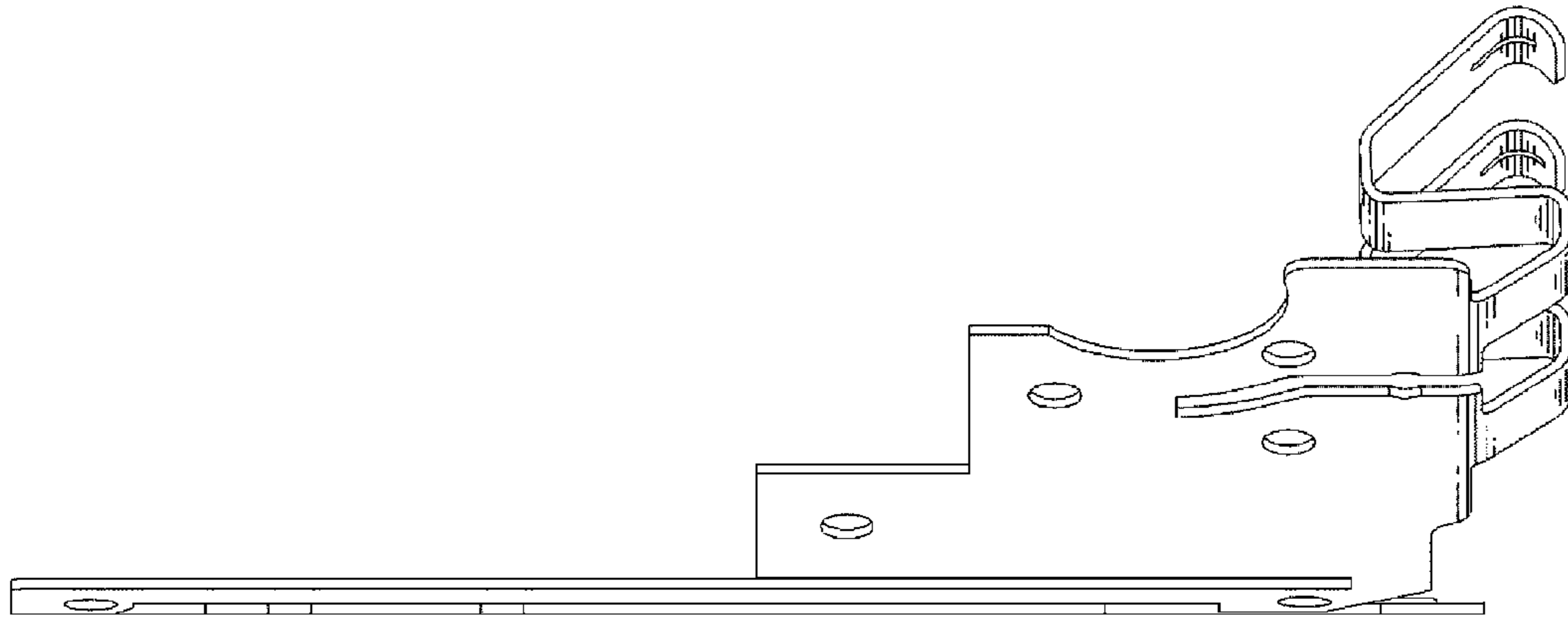


FIG. 6

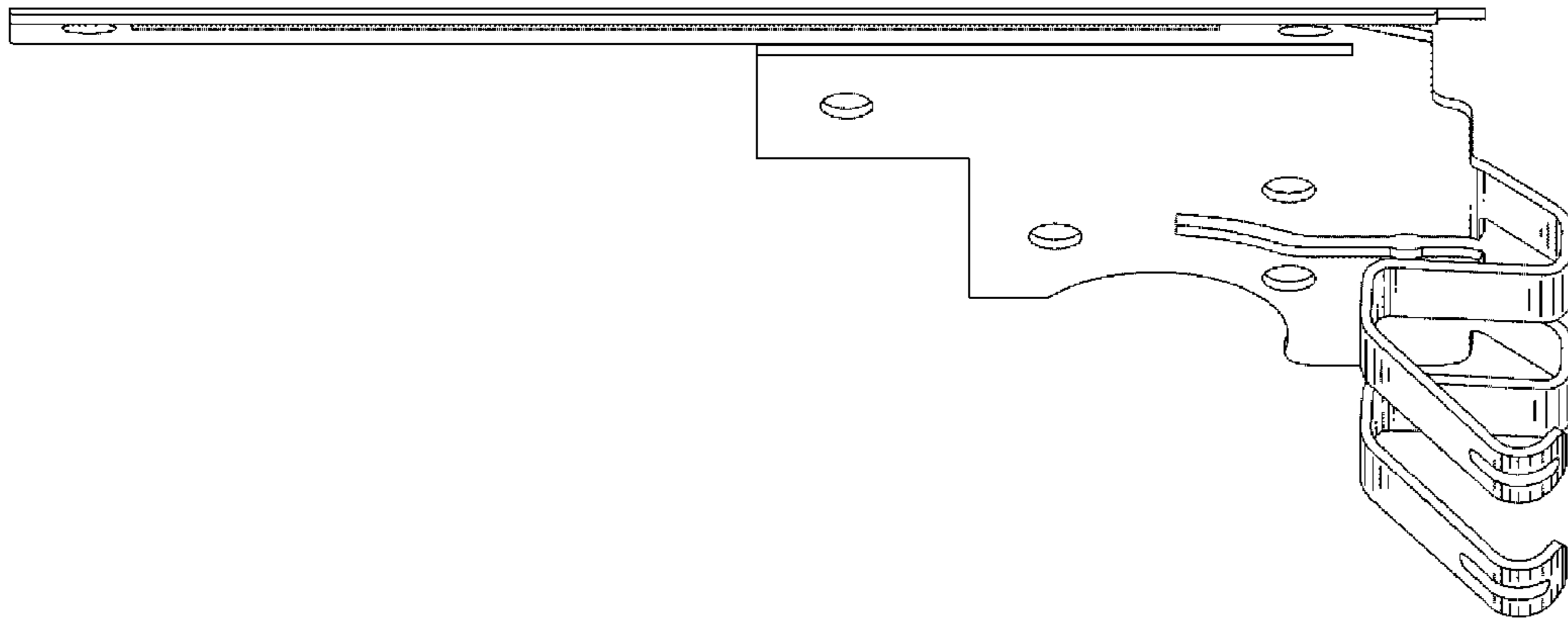


FIG. 7