



US00D630192S

(12) **United States Design Patent**
Heppener

(10) **Patent No.:** **US D630,192 S**

(45) **Date of Patent:** **** *Jan. 4, 2011**

(54) **CONFERENCE COMMUNICATION UNIT**

(74) *Attorney, Agent, or Firm*—Hooker & Habib, P.C.

(75) Inventor: **Axel Heppener**, Rösrath (DE)

(57) **CLAIM**

(73) Assignee: **Brahler ICS Konferenatechnik
International Congress Service AG**
(DE)

The ornamental design for a conference communication unit,
as shown and described.

(*) Notice: This patent is subject to a terminal dis-
claimer.

DESCRIPTION

(**) Term: **14 Years**

FIG. 1 is a top plan view of a first embodiment conference
communication unit showing my new design;

(21) Appl. No.: **29/343,020**

FIG. 2 is a rear elevation view of the conference communi-
cation unit of FIG. 1;

(22) Filed: **Sep. 4, 2009**

FIG. 3 is a left side elevation view of the conference commu-
nication unit of FIG. 1;

(51) **LOC (9) Cl.** **14-01**

(52) **U.S. Cl.** **D14/226**

FIG. 4 is a right side elevation view of the conference com-
munication unit of FIG. 1;

(58) **Field of Classification Search** D14/137,
D14/138, 159, 168, 191, 431, 225–229, 224,
D14/242, 155, 167, 203.3, 194, 192, 496;
D13/168; 340/835.69; 381/364, 365; 455/95,
455/569.1; 348/148

See application file for complete search history.

FIG. 5 is a bottom plan view of the conference communi-
cation unit of FIG. 1;

(56) **References Cited**

U.S. PATENT DOCUMENTS

| | | | | |
|----------------|---------|----------------|-------|------------|
| D23,111 S * | 3/1894 | Scattergood | | D14/155 |
| D242,554 S * | 11/1976 | Flanagan | | D99/25 |
| D339,830 S * | 9/1993 | Adell | | D21/371 |
| D346,339 S * | 4/1994 | Lintick | | D10/104 |
| D371,054 S * | 6/1996 | Henderson | | D7/624.1 |
| D386,100 S * | 11/1997 | Thibault | | D10/106 |
| D399,495 S * | 10/1998 | Bachschnid | | D13/177 |
| D433,013 S * | 10/2000 | Yuyama et al. | | D14/227 |
| D467,891 S * | 12/2002 | Tokioka et al. | | D14/203.3 |
| D476,976 S * | 7/2003 | Tanabe | | D14/225 |
| 6,593,851 B1 * | 7/2003 | Bornstein | | 340/539.15 |
| D518,478 S * | 4/2006 | Song | | D14/225 |
| D523,002 S * | 6/2006 | Song | | D14/225 |
| D531,157 S * | 10/2006 | Lheem | | D14/138 AB |
| D535,971 S * | 1/2007 | Andrade et al. | | D14/155 |
| D577,010 S * | 9/2008 | Wilson et al. | | D14/225 |

FIG. 6 is a bottom and front perspective view of the confer-
ence communication unit of FIG. 1;

FIG. 7 is a front and right perspective view of the conference
communication unit of FIG. 1;

FIG. 8 is a top and right perspective view of the conference
communication unit of FIG. 1;

FIG. 9 is a rear and right perspective view of the conference
communication unit of FIG. 1;

FIG. 10 is a bottom and right view of the conference commu-
nication unit of FIG. 1;

FIG. 11 is a front view of the conference communication unit
of FIG. 1 with a microphone attached to the unit; and,

FIG. 12 is a top plan view of a second embodiment of the
conference communication unit showing my new design. The
second embodiment is identical to the first embodiment
except for the addition of the small circle shown on the middle
of the conference communication unit.

Elements shown in broken lines in the drawings are for illus-
trative purposes only and do not form part of the claimed
design.

* cited by examiner

Primary Examiner—Austin Murphy

1 Claim, 7 Drawing Sheets

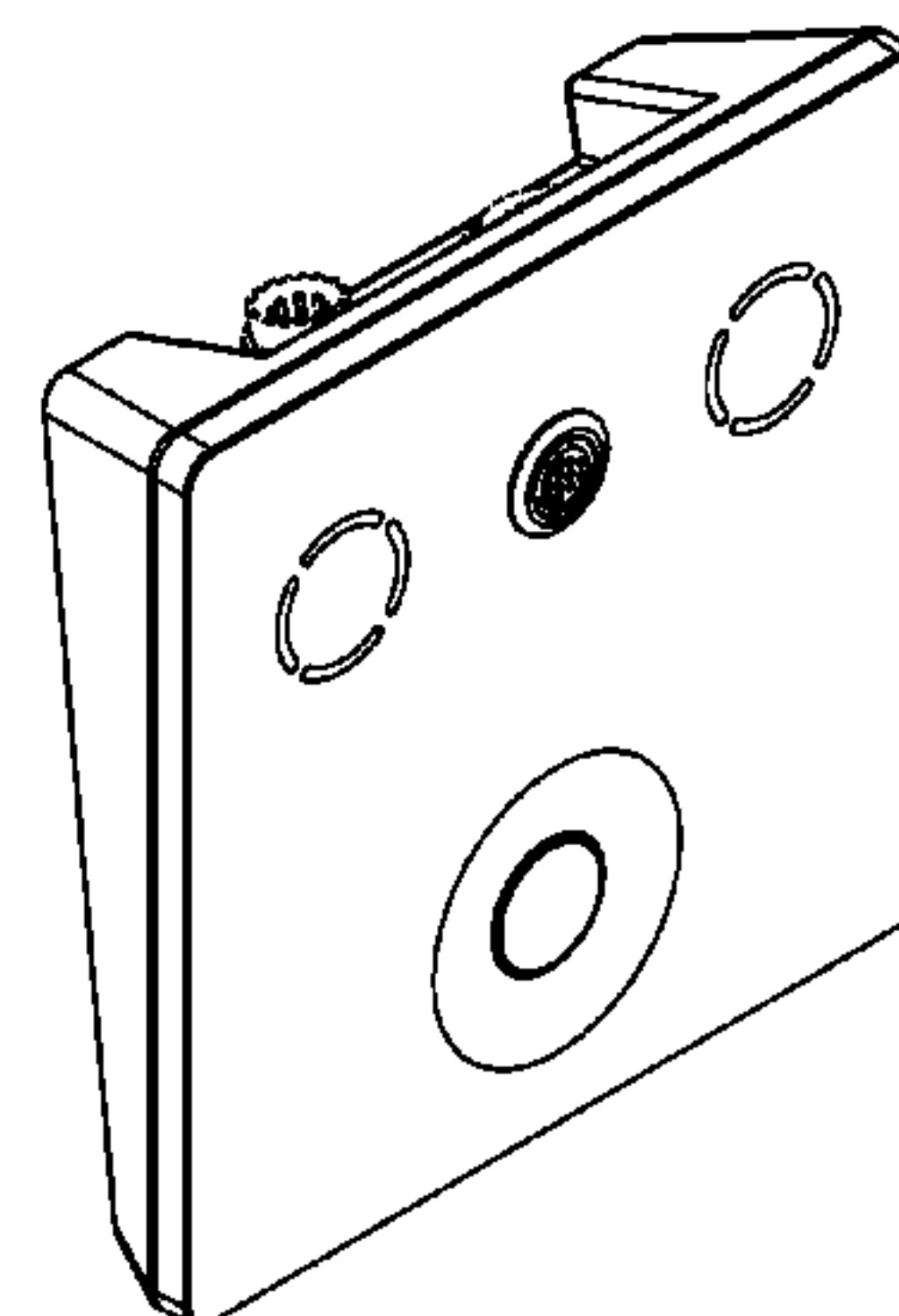
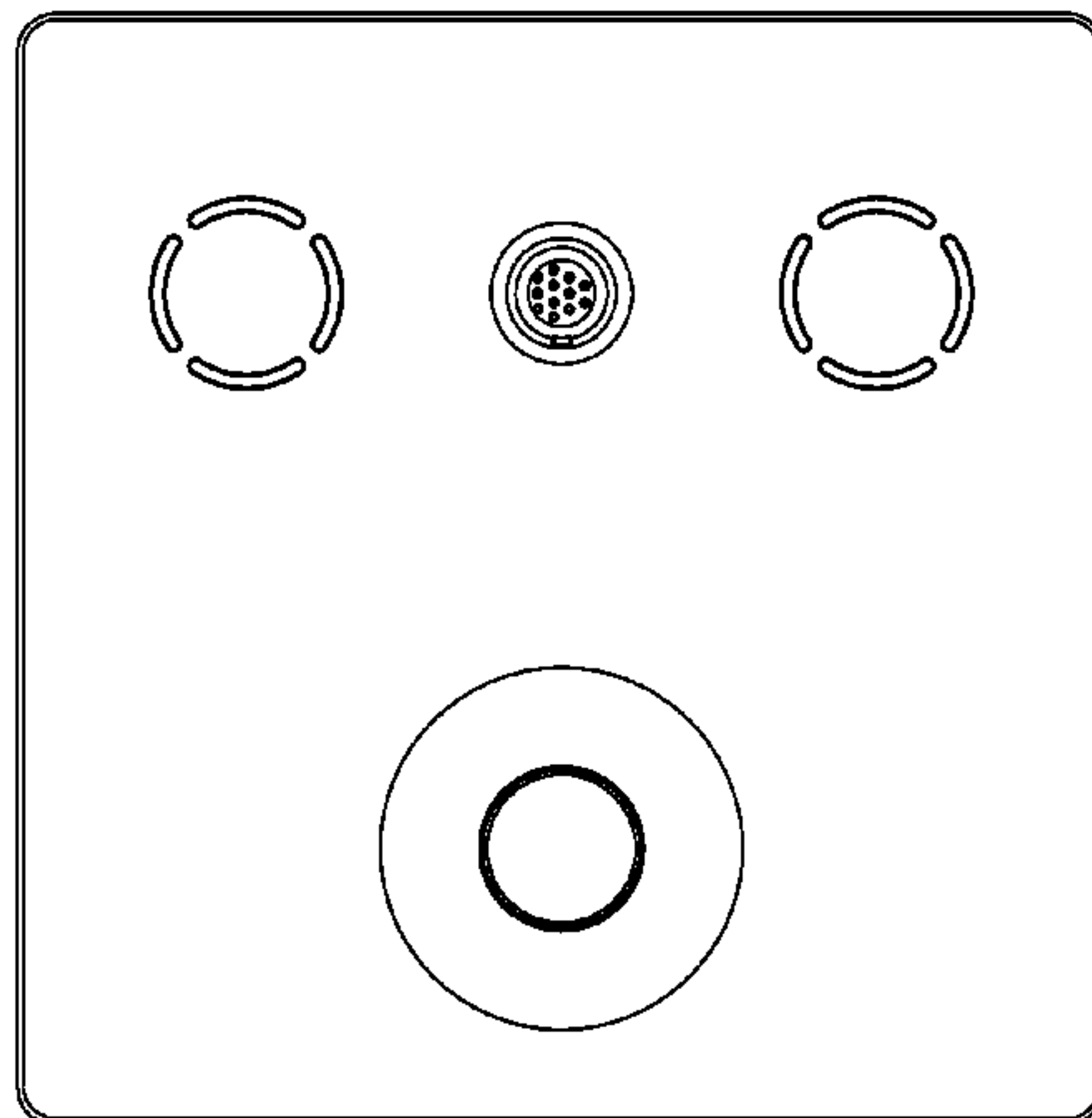


FIG. 1

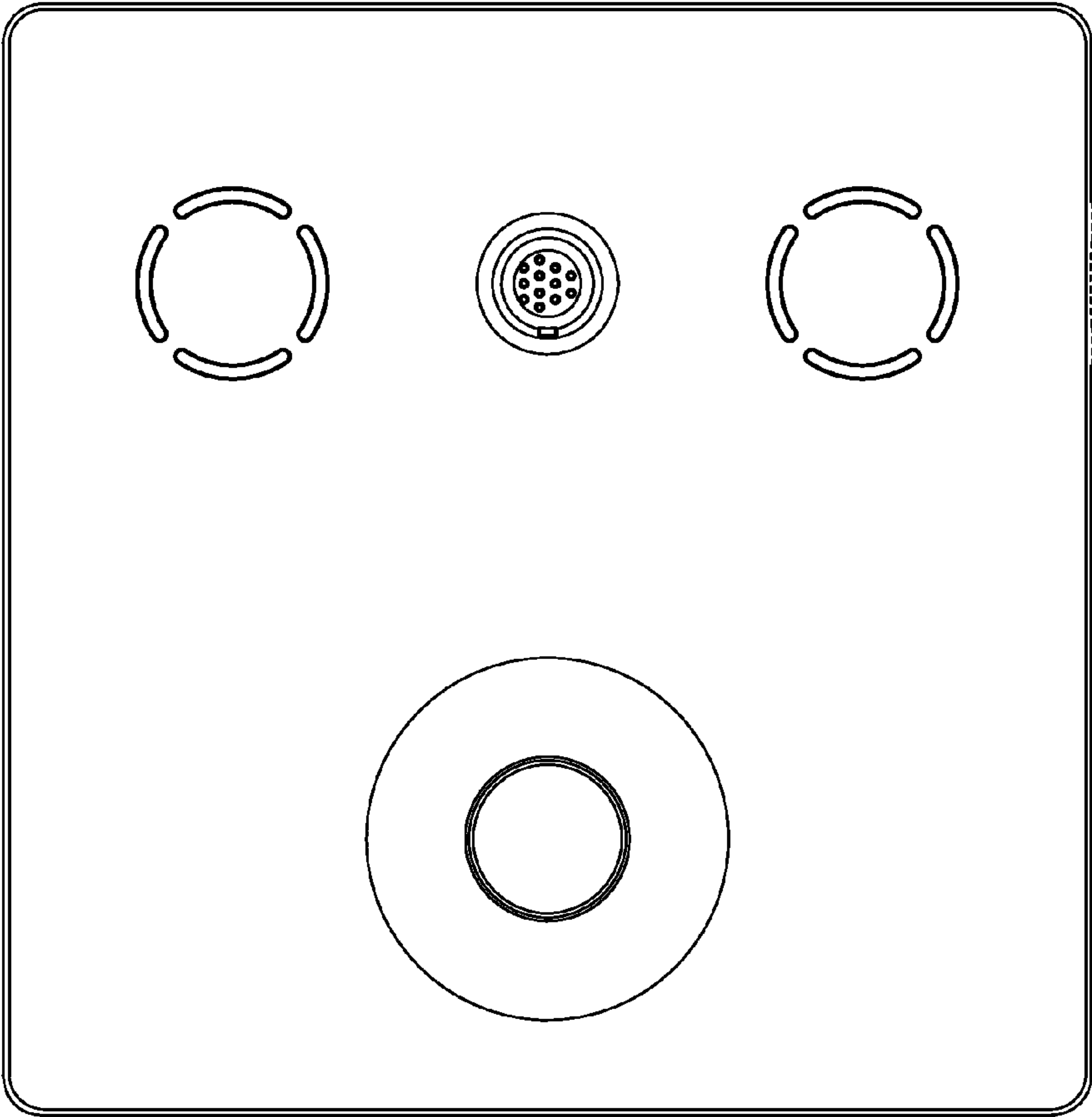


FIG. 2

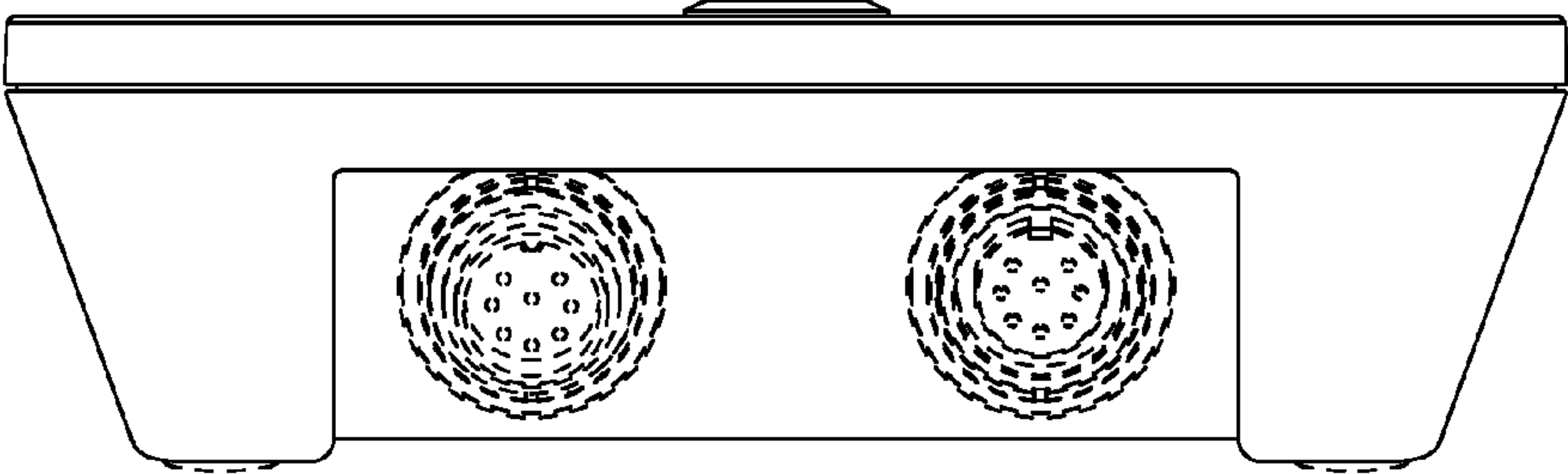


FIG. 3

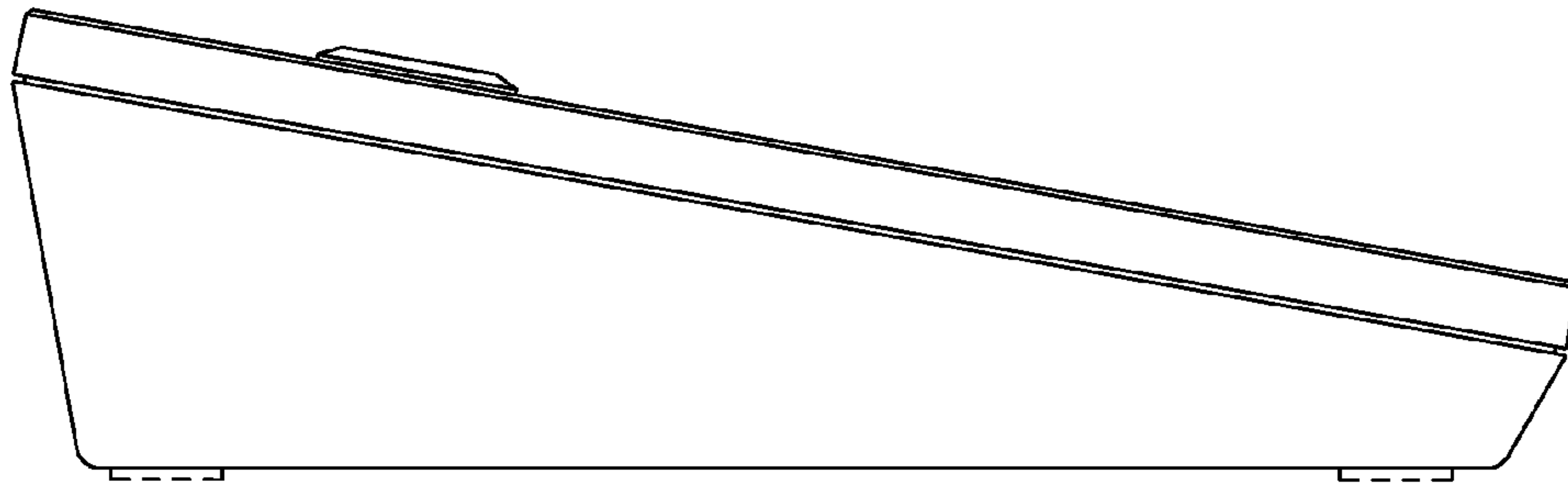


FIG. 4

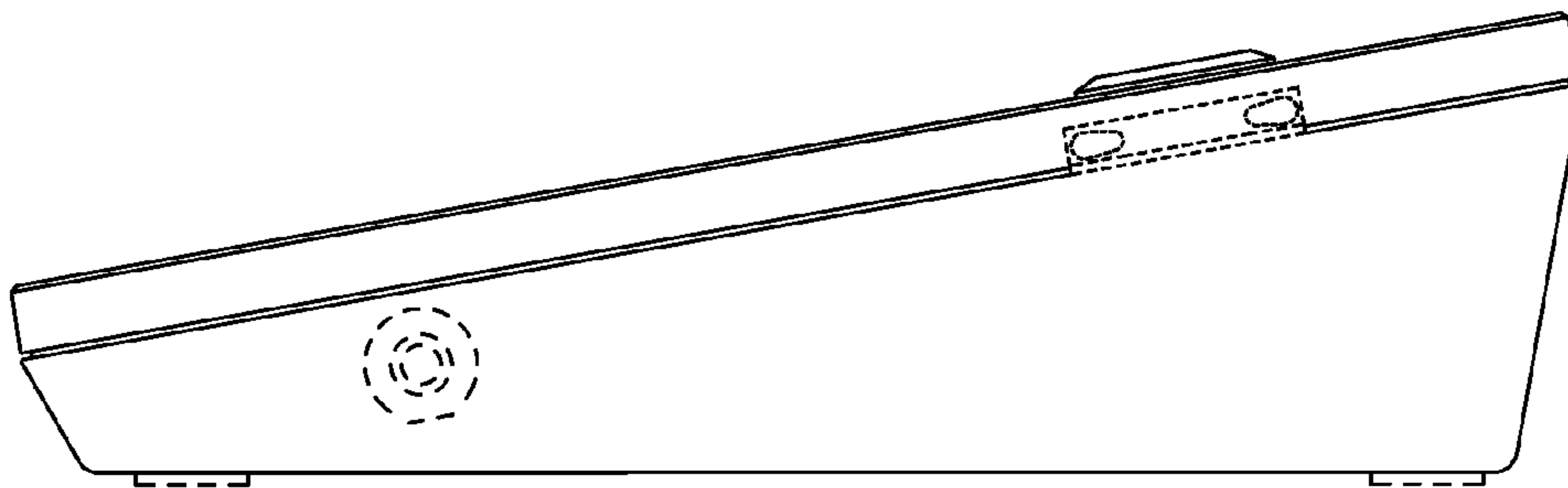


FIG. 5

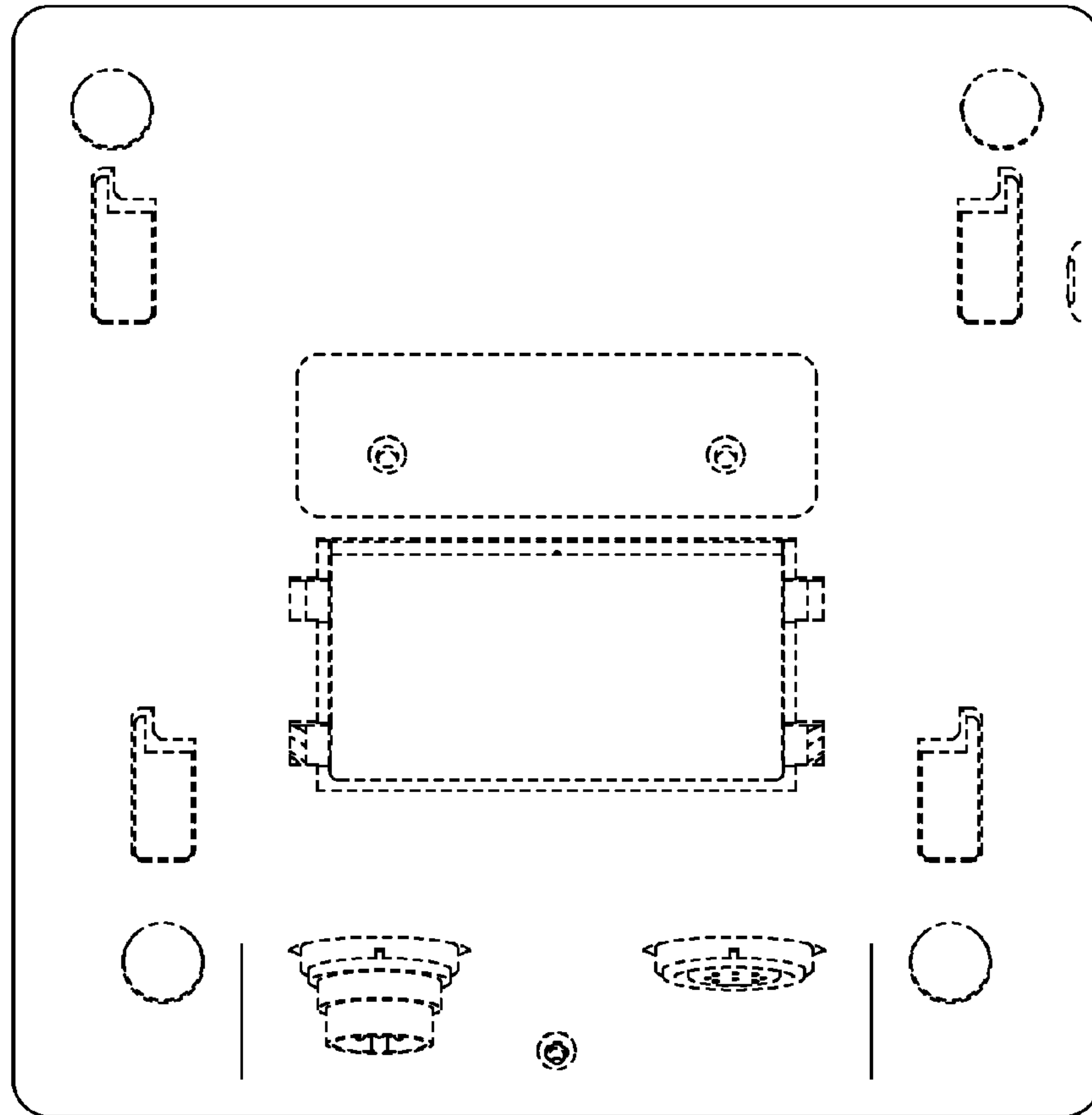
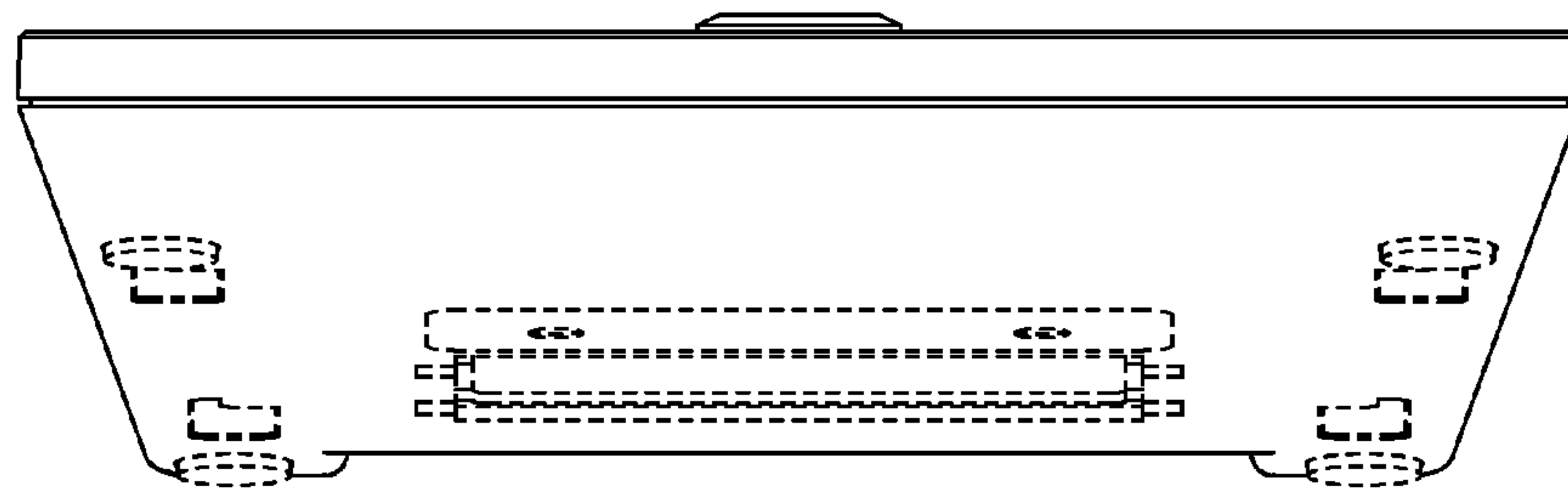


FIG. 6



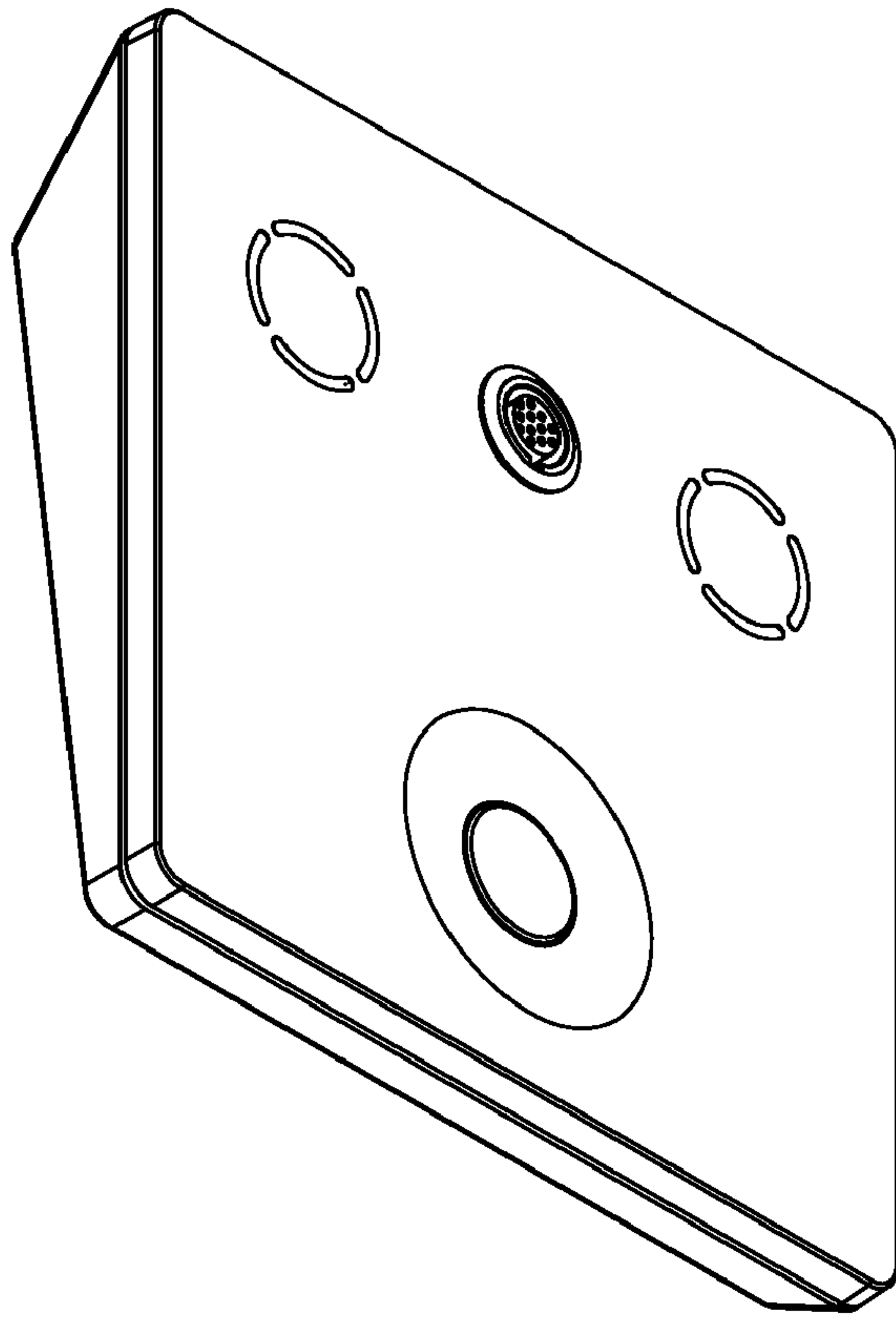


FIG. 7

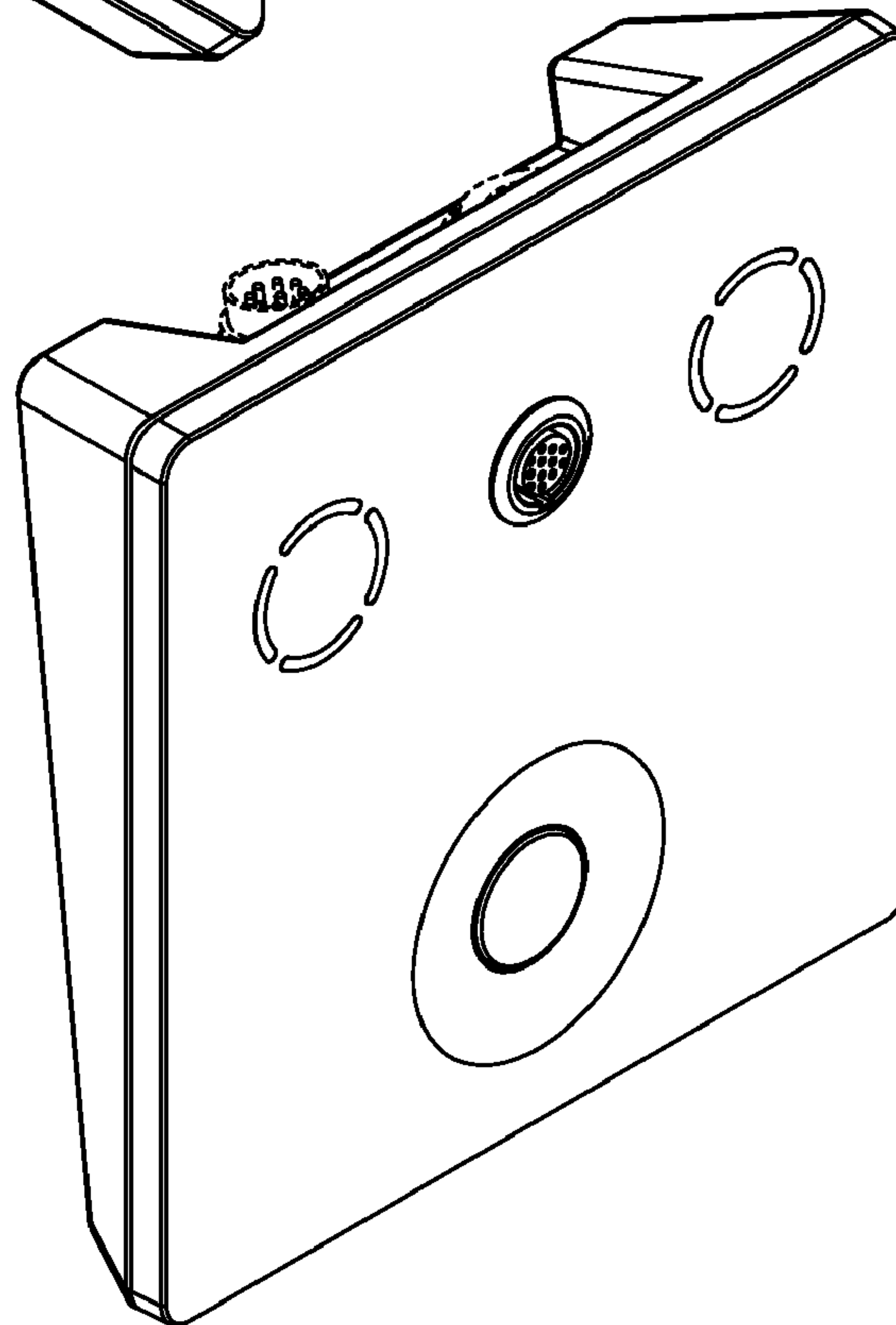


FIG. 8

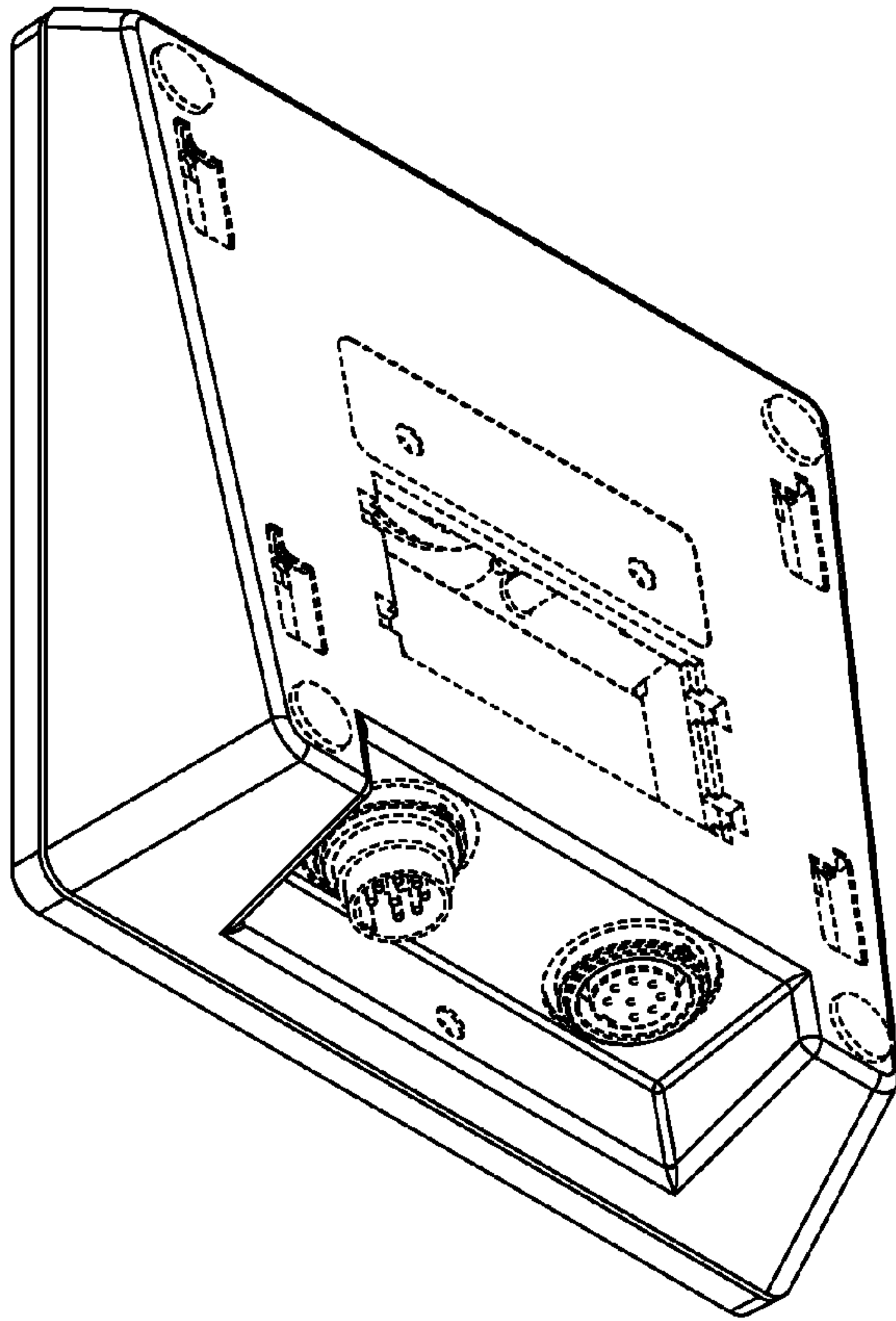


FIG. 9

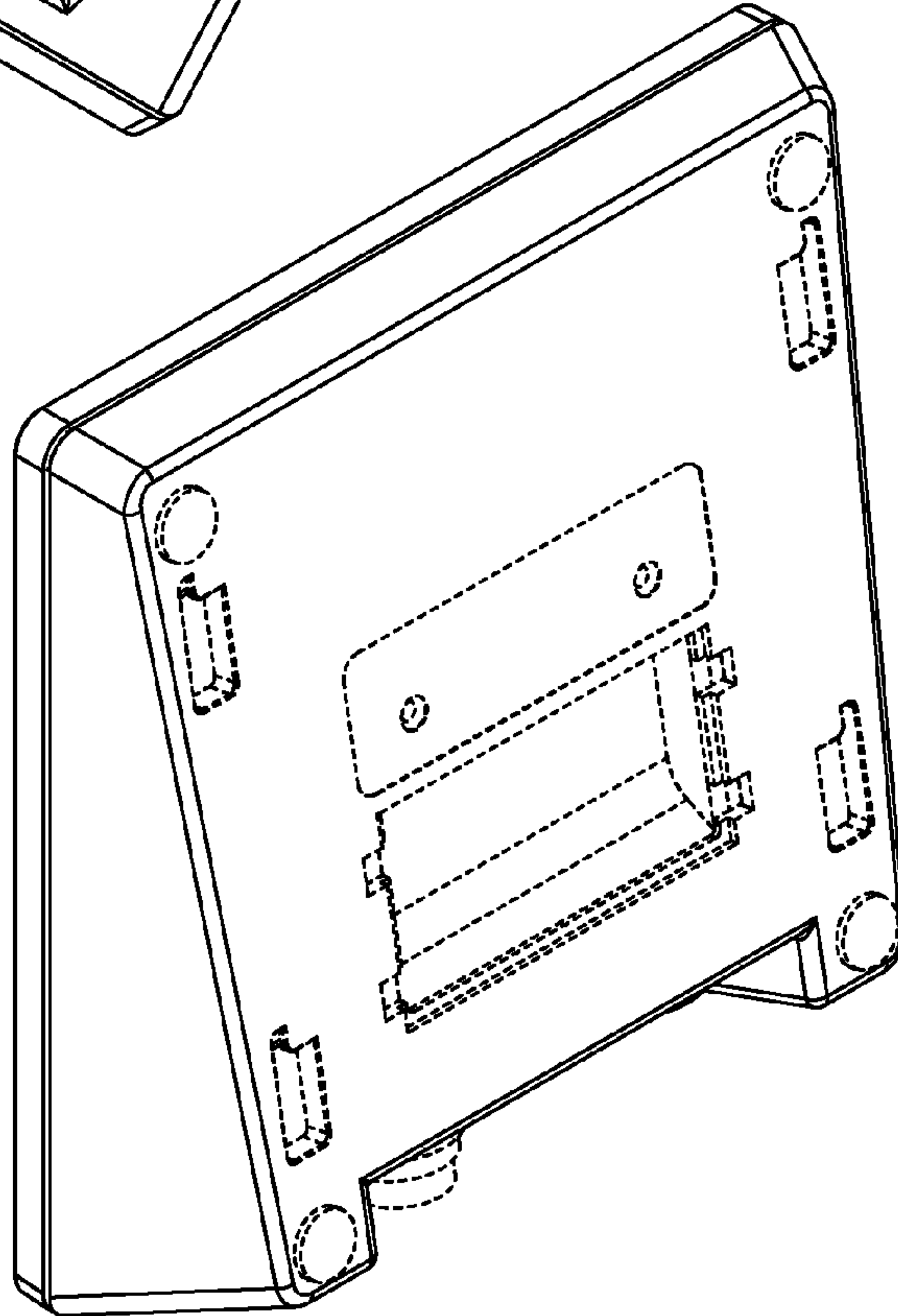


FIG. 10

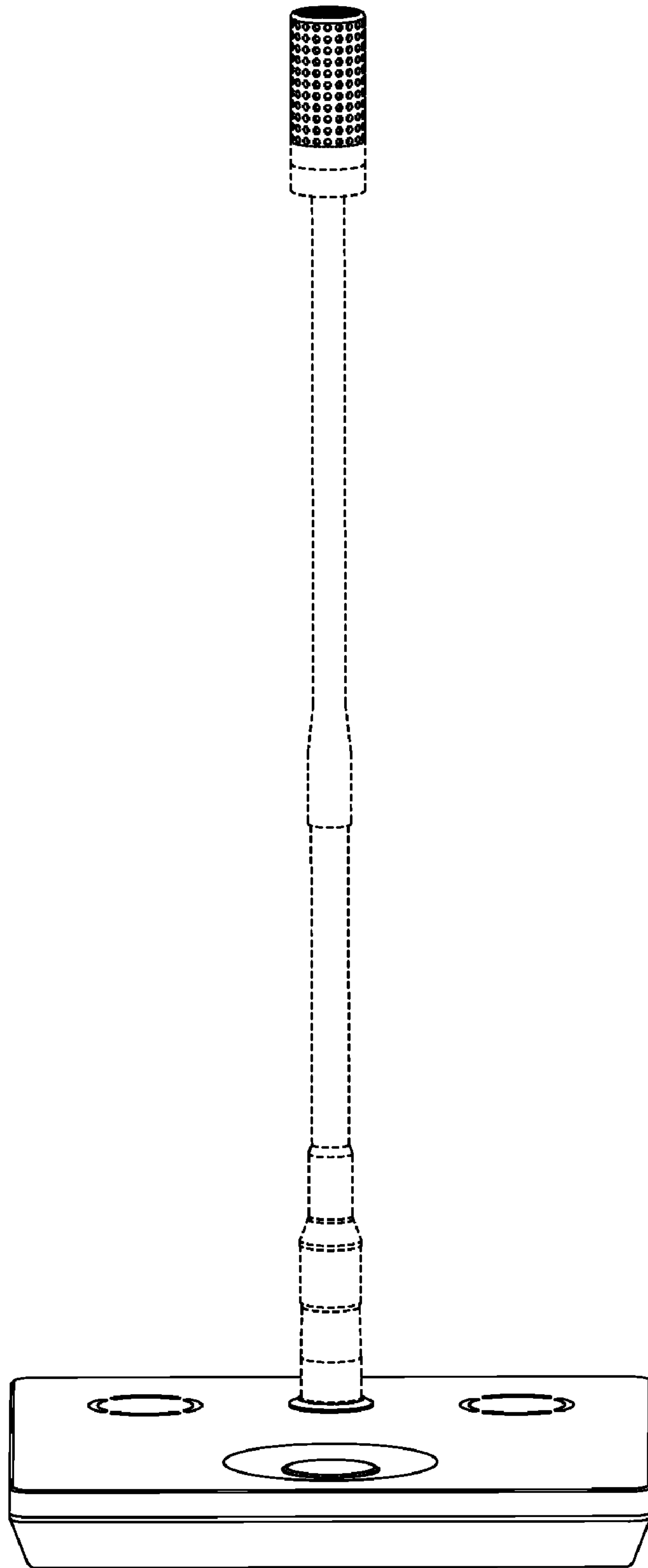


FIG. 11

FIG. 12

