



US00D630191S

(12) **United States Design Patent**
Chang et al.

(10) **Patent No.:** **US D630,191 S**
(45) **Date of Patent:** **** Jan. 4, 2011**

(54) **MICROPHONE SHOCK ABSORBER**

(75) Inventors: **Ching-Lu Chang**, Taichung (TW);
Chao-Chih Chang, Taichung (TW)

(73) Assignee: **Taiwan Carol Electronics Co., Ltd.**,
Taichung (TW)

(**) Term: **14 Years**

(21) Appl. No.: **29/358,273**

(22) Filed: **Mar. 24, 2010**

(51) **LOC (9) Cl.** **14-01**

(52) **U.S. Cl.** **D14/225**

(58) **Field of Classification Search** D14/228,
D14/225, 206, 219, 220, 221, 229, 497; D15/3,
D15/143; D9/502, 454; D23/262, 358; 381/361,
381/359, 355, 177; 426/140

See application file for complete search history.

(56) **References Cited**

U.S. PATENT DOCUMENTS

3,643,290	A	*	2/1972	Milne	16/2.1
D234,847	S	*	4/1975	Hoffman	D23/262
4,535,196	A	*	8/1985	Milne	174/83
4,752,652	A	*	6/1988	Danti et al.	174/83
4,912,285	A	*	3/1990	Falciglia	174/83
D330,208	S	*	10/1992	Hawley	D15/143
D341,145	S	*	11/1993	Esworthy	D15/143
D347,467	S	*	5/1994	Medvick	D23/262
5,383,688	A	*	1/1995	Berry	285/49
D357,030	S	*	4/1995	McKenna	D15/143
D364,841	S	*	12/1995	Brannan et al.	D12/207
5,706,359	A	*	1/1998	Chang	381/361
5,742,697	A	*	4/1998	Ching-Chung	381/361

D436,117	S	*	1/2001	Chuang	D15/143
D459,732	S	*	7/2002	Sasaki et al.	D15/3
D499,649	S	*	12/2004	Olivares et al.	D9/502
D542,657	S	*	5/2007	Battegazzore	D9/454
D546,665	S	*	7/2007	Medlin	D8/382
D565,707	S	*	4/2008	Brockington et al.	D23/262
D577,109	S	*	9/2008	Smith et al.	D23/358
D598,011	S	*	8/2009	Thusbass	D14/225
D601,930	S	*	10/2009	Chen	D12/114
D608,768	S	*	1/2010	Ikeda et al.	D14/228
D609,621	S	*	2/2010	Chiang	D12/207

* cited by examiner

Primary Examiner—Austin Murphy

(74) *Attorney, Agent, or Firm*—Holland & Hart, LLP

(57) **CLAIM**

The ornamental design for microphone shock absorber, as shown and described.

DESCRIPTION

FIG. 1 is a perspective view of microphone shock absorber showing my new design;

FIG. 2 is a front elevational view thereof;

FIG. 3 is a rear elevational view thereof;

FIG. 4 is a left side elevational view thereof;

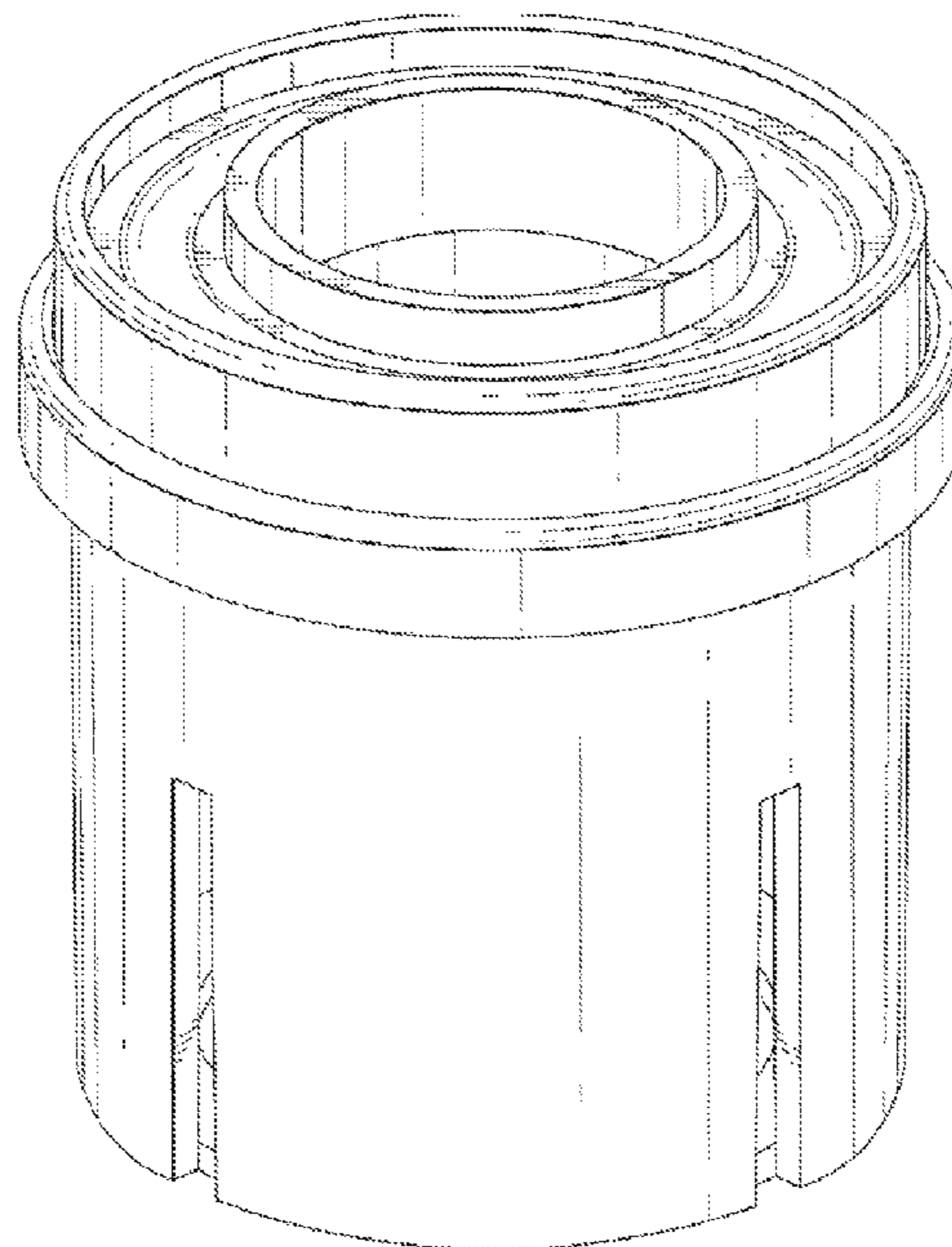
FIG. 5 is a right side elevational view thereof;

FIG. 6 is a top plan view thereof;

FIG. 7 is a bottom plan view thereof; and,

FIG. 8 is another perspective view in use; the portions shown in dashed lines do not form part of the design.

1 Claim, 8 Drawing Sheets



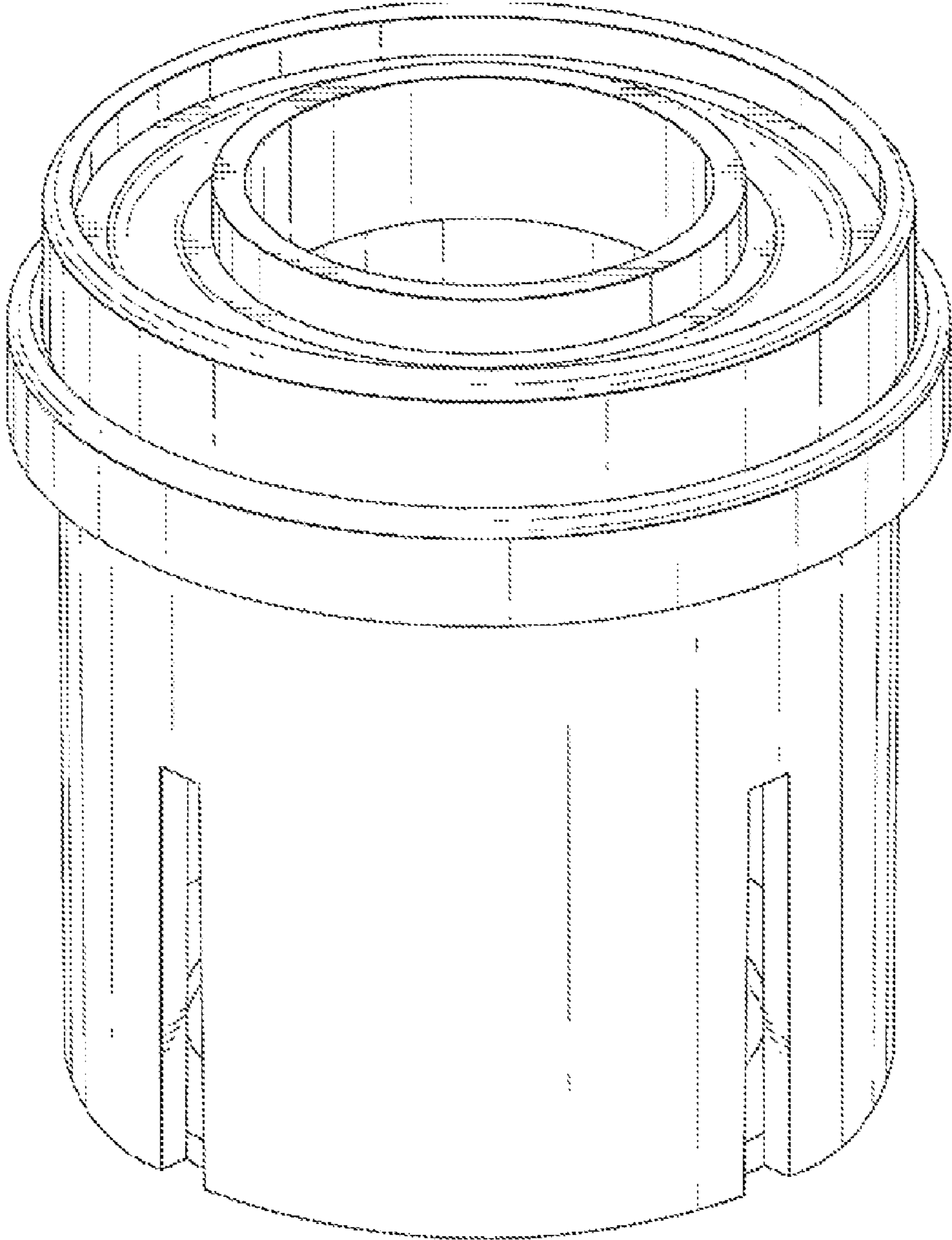


FIG. 1

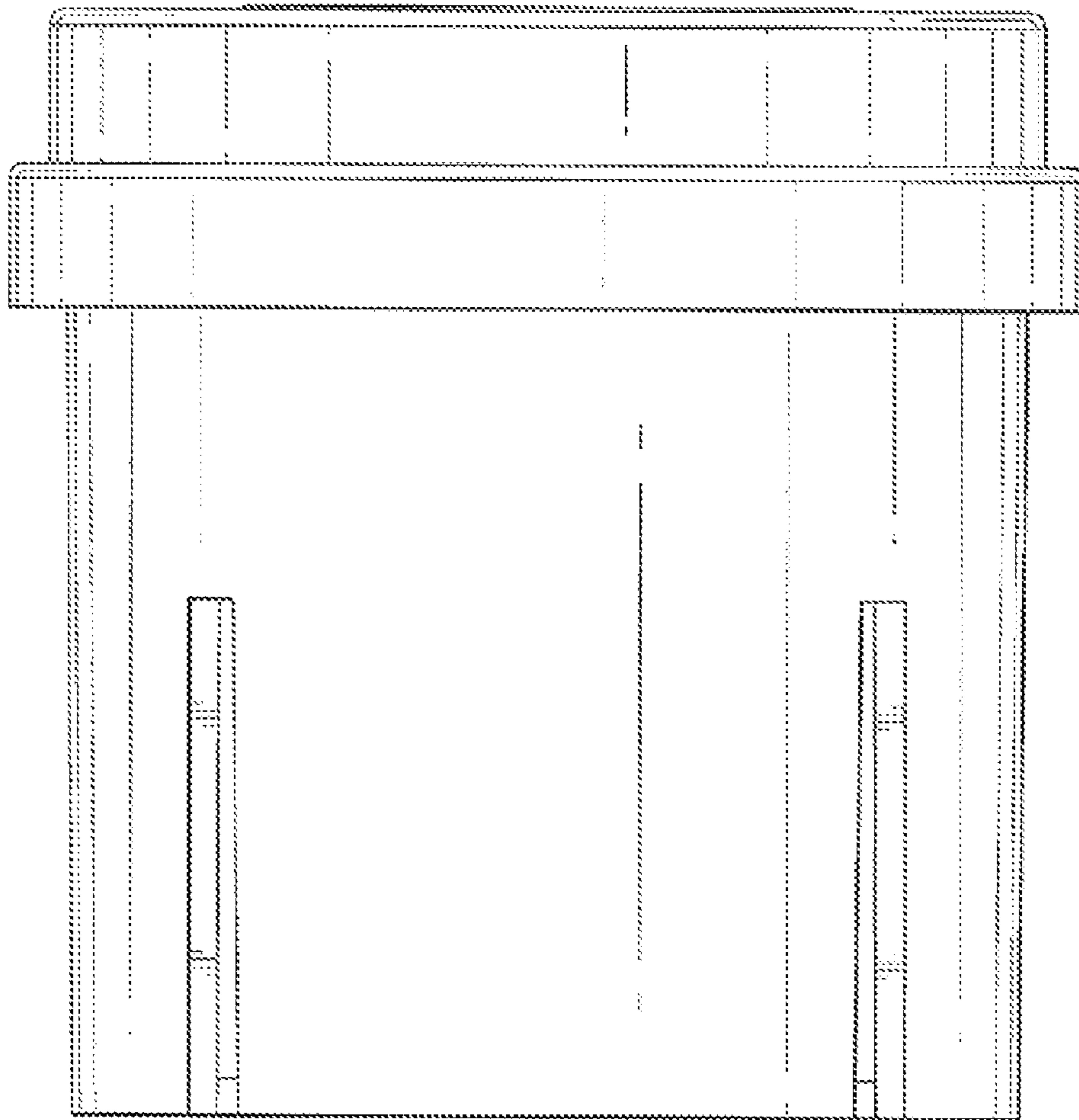


FIG. 2

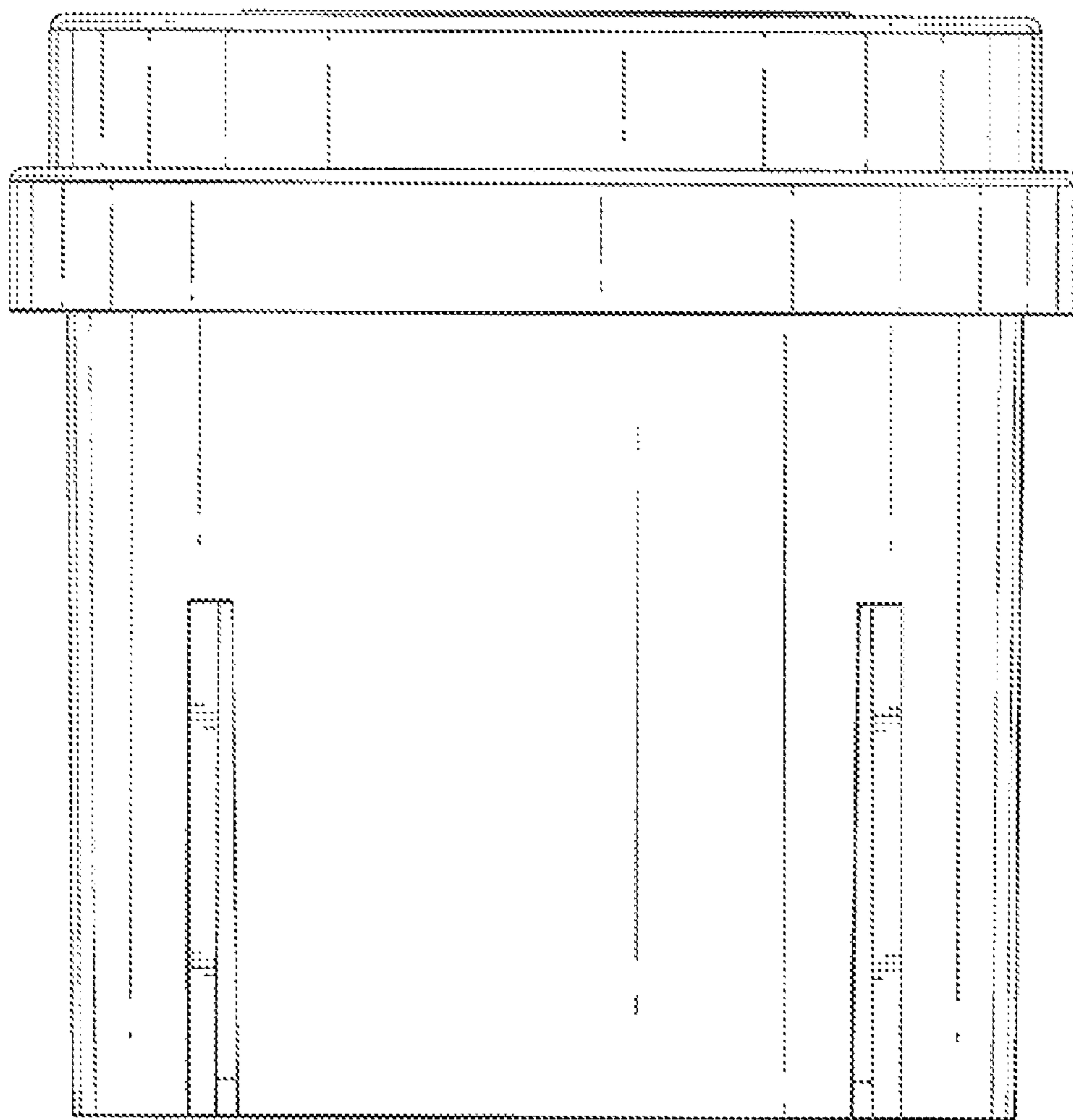


FIG. 3

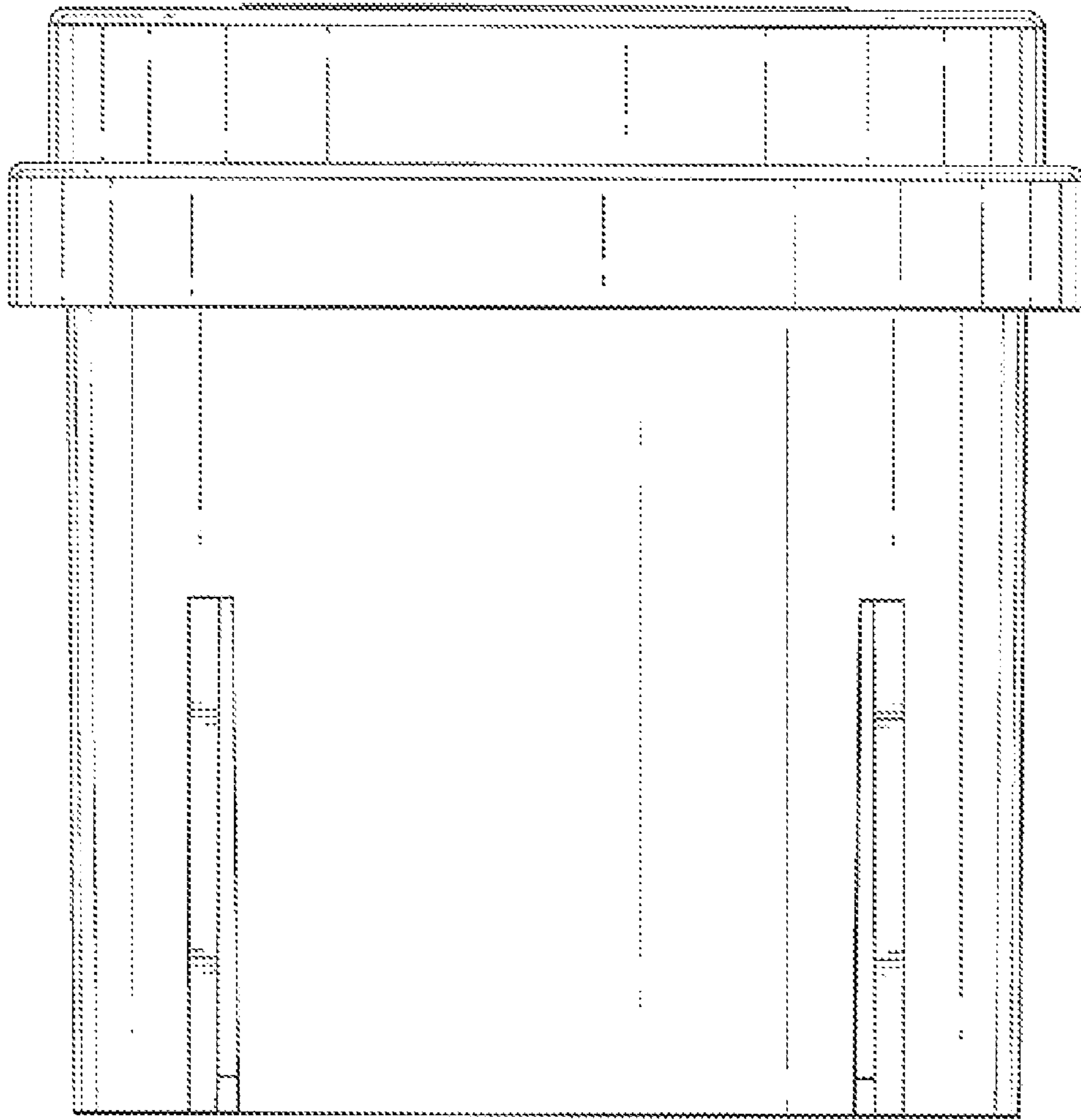


FIG. 4

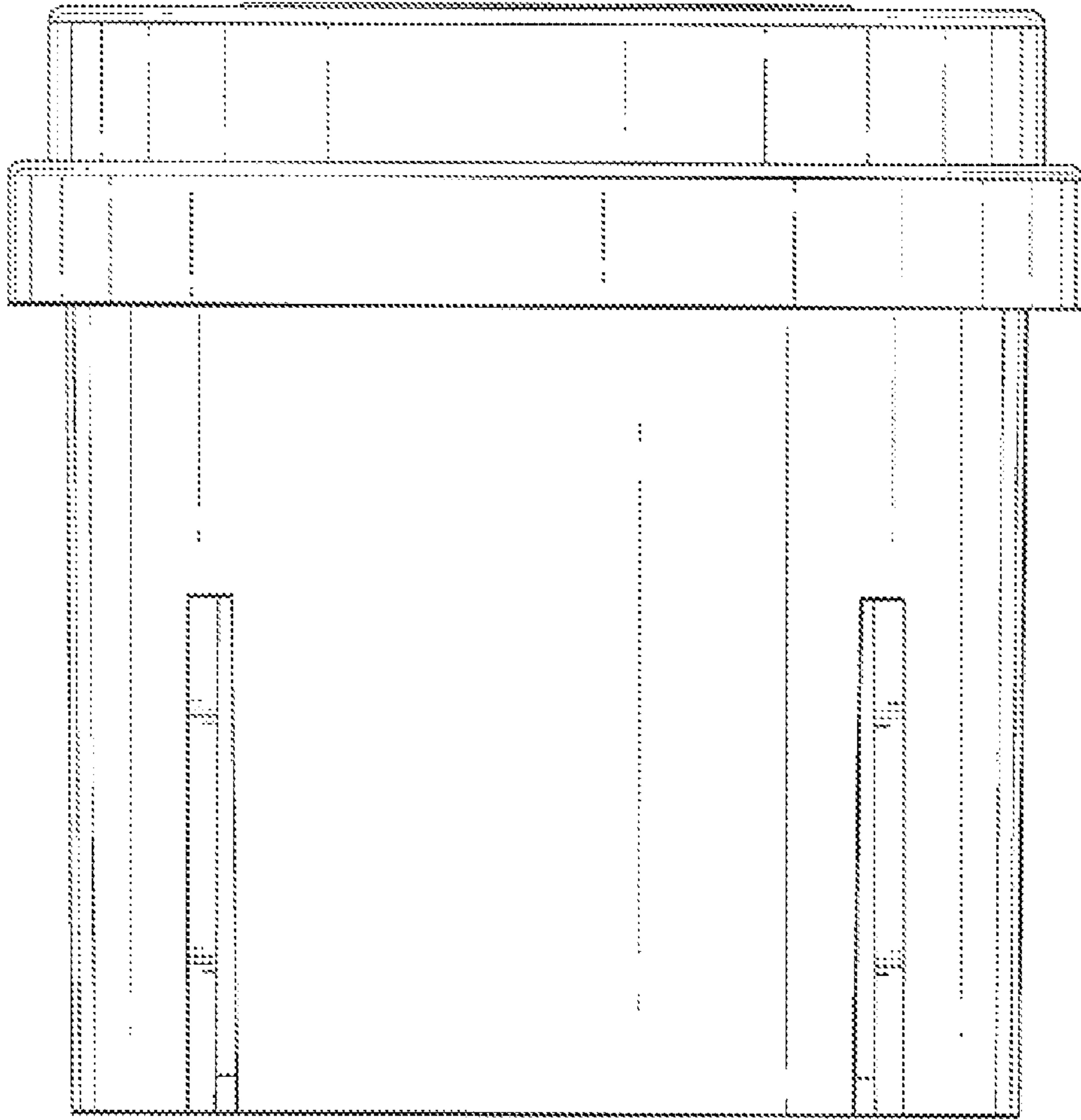


FIG. 5

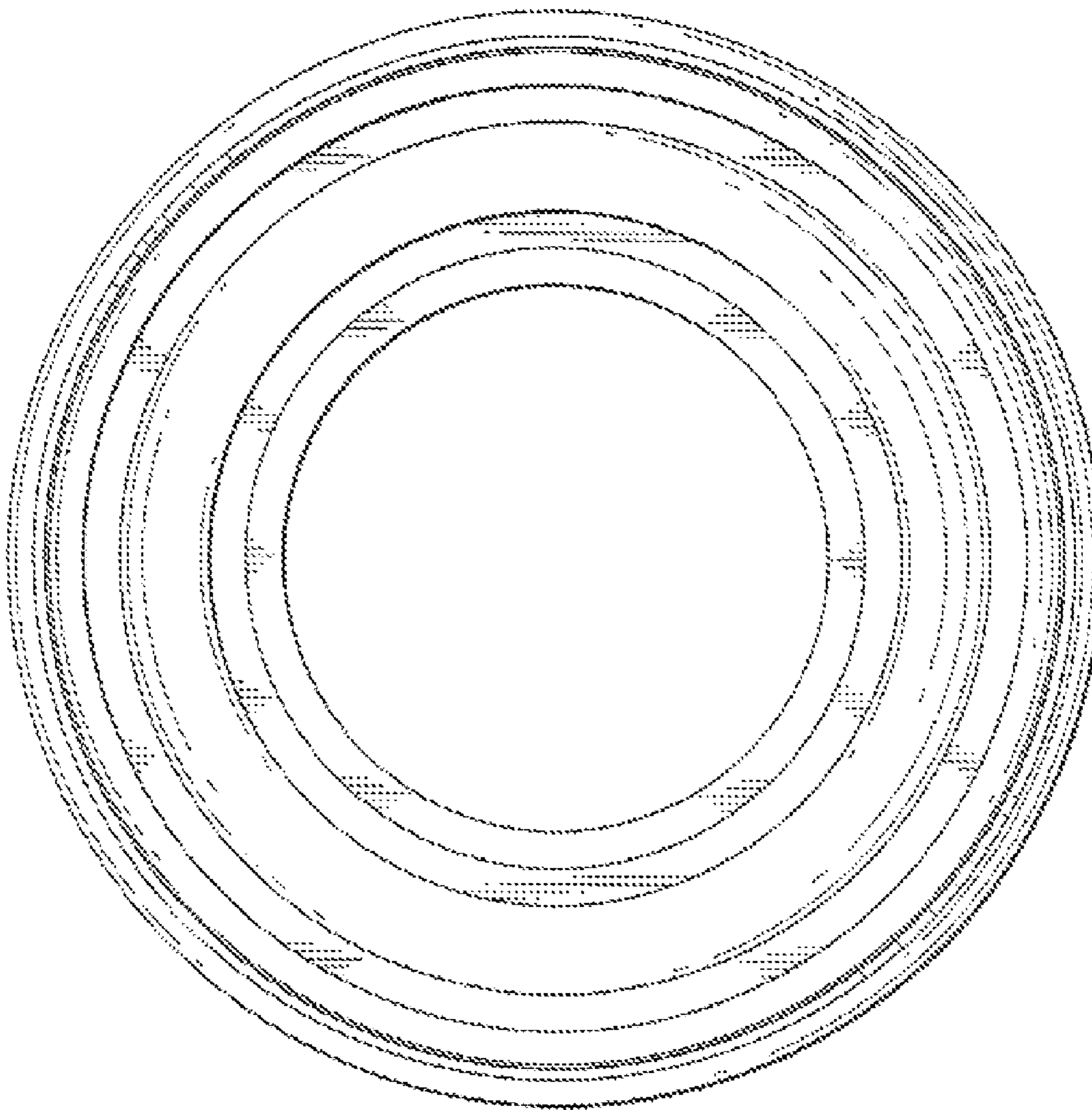


FIG. 6

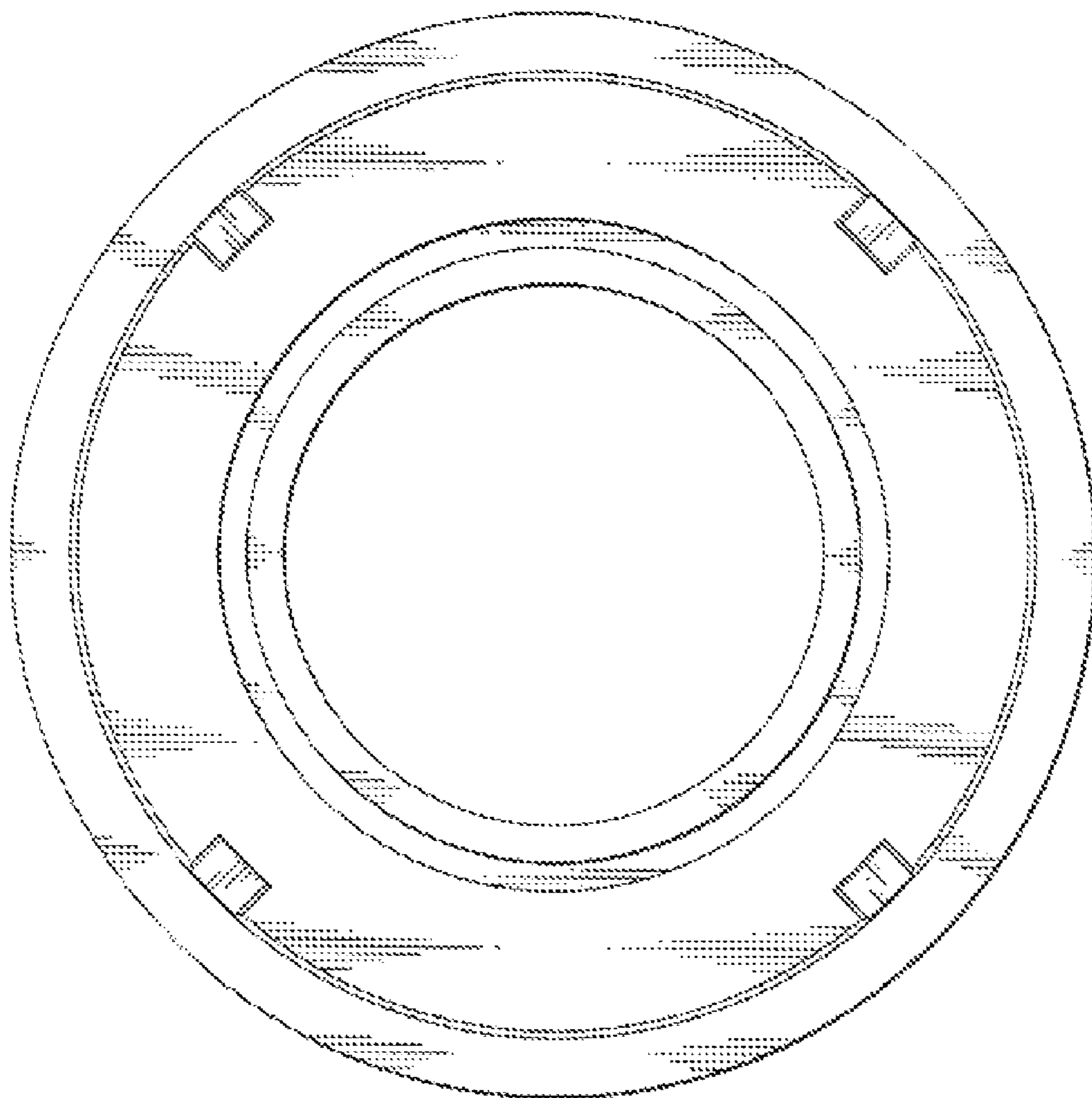


FIG. 7

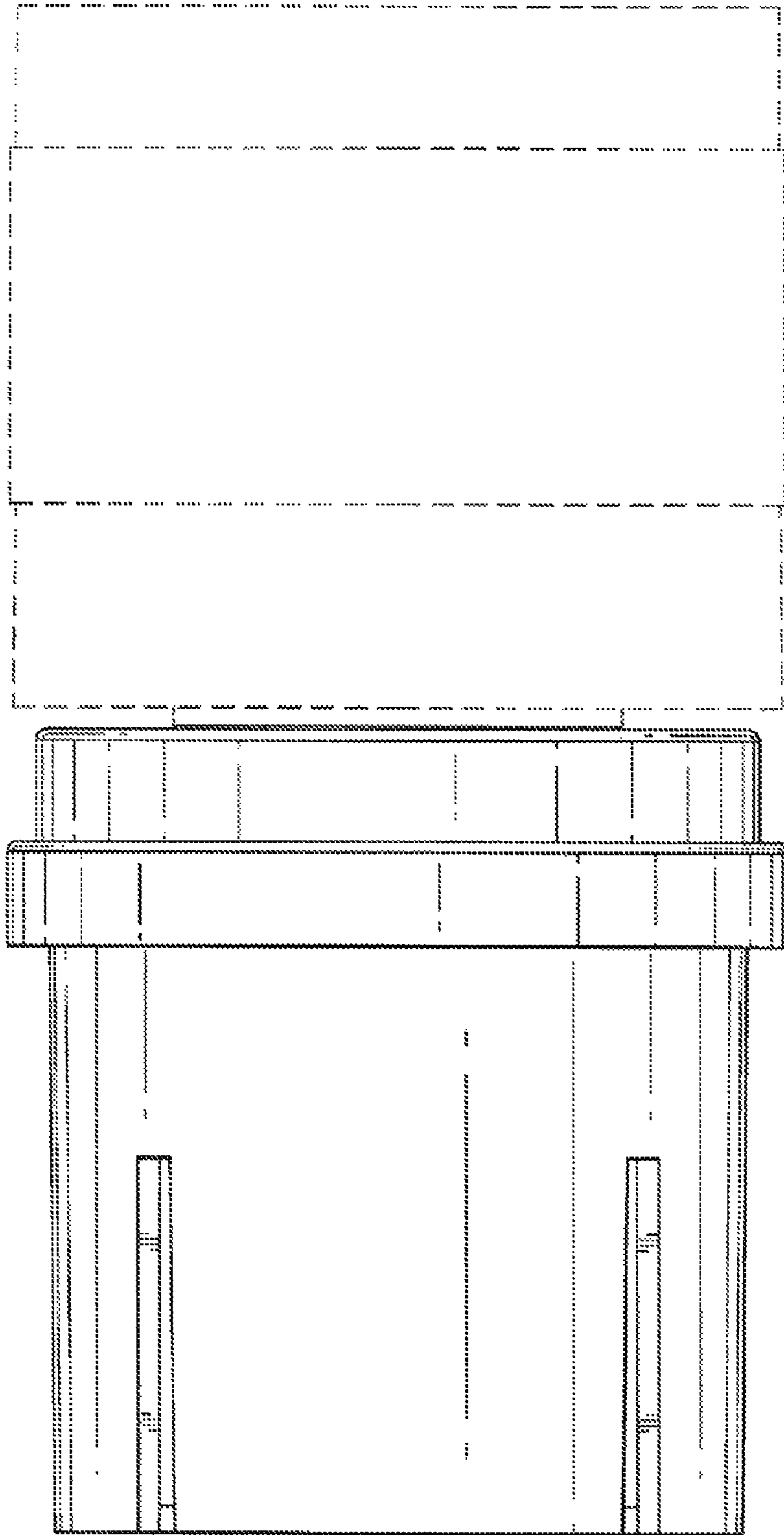


FIG. 8