

US00D630187S

(12) **United States Design Patent**
Ching

(10) **Patent No.:** **US D630,187 S**

(45) **Date of Patent:** **** Jan. 4, 2011**

(54) **PORTABLE SPEAKER**

(76) Inventor: **Chan Ching**, 8F-4, 20, Lane 609, Sec. 5,
Chungsin Rd., Sanchung, Taipei Hsien
(TW)

(**) Term: **14 Years**

(21) Appl. No.: **29/293,993**

(22) Filed: **Dec. 20, 2007**

(51) **LOC (9) Cl.** **14-01**

(52) **U.S. Cl.** **D14/214**

(58) **Field of Classification Search** D14/204,
D14/210–214, 172; 181/143–144, 147–148,
181/150–153, 157, 198–199; 381/300–303,
381/306, 332–333, 336, 345, 361–364, 386–388
See application file for complete search history.

(56) **References Cited**

U.S. PATENT DOCUMENTS

D355,418 S * 2/1995 Parsey D14/214
D379,183 S * 5/1997 Lin D14/214
D382,877 S * 8/1997 Cheng D14/214
D401,938 S * 12/1998 Chen D14/214

D435,035 S * 12/2000 Kumagai et al. D14/214
D450,050 S * 11/2001 Marcum et al. D14/214
D467,898 S * 12/2002 Matsuoka D14/214

* cited by examiner

Primary Examiner—Nanda Bondade

(74) *Attorney, Agent, or Firm*—Jackson IPG PLLC

(57) **CLAIM**

The ornamental design for portable speaker, as shown and described.

DESCRIPTION

FIG. 1 is a top front and left side perspective view of portable speaker showing my new design;

FIG. 2 is a front elevational view thereof;

FIG. 3 is a rear elevational view thereof;

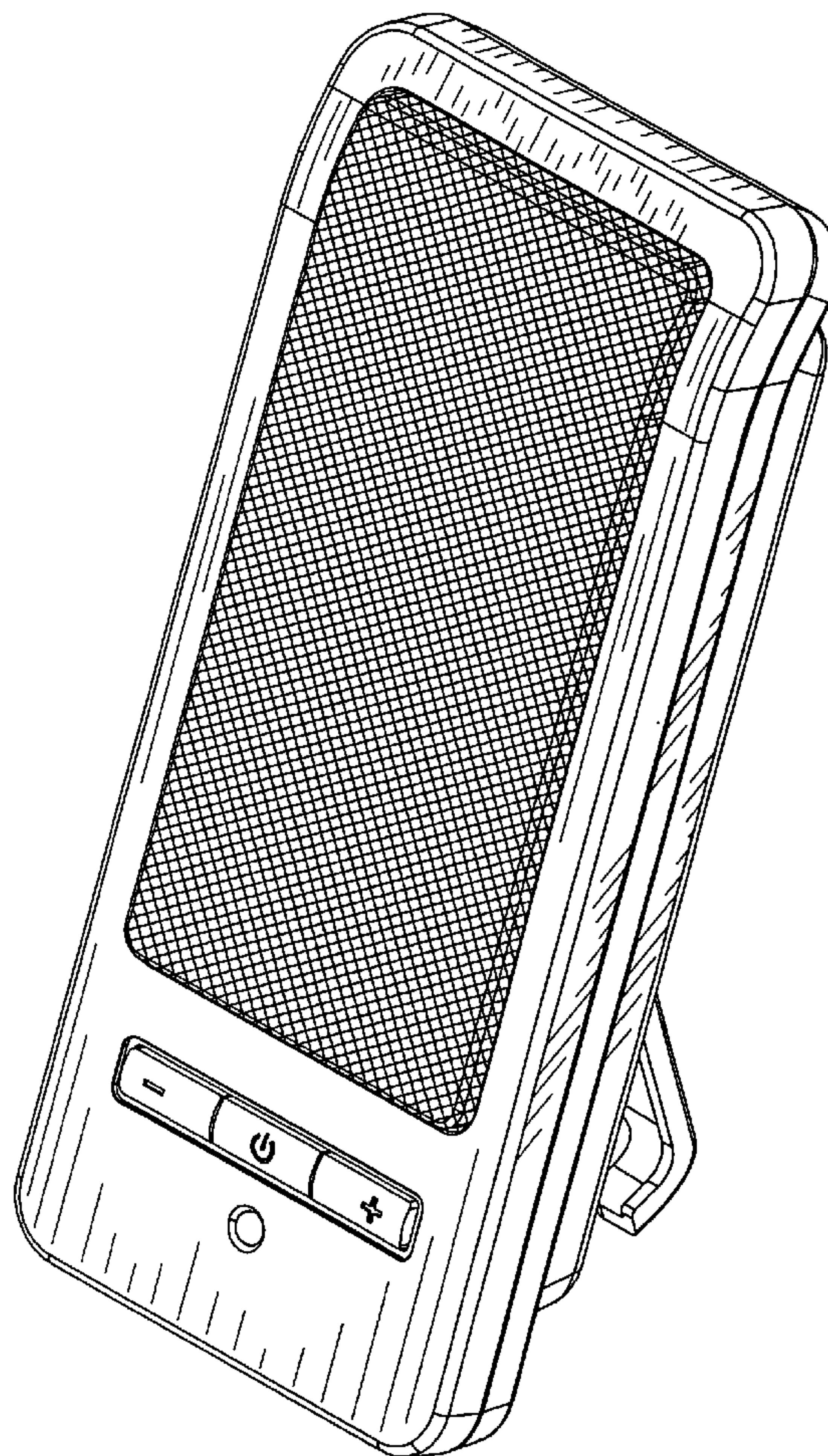
FIG. 4 is a left side elevational view thereof;

FIG. 5 is a right side elevational view thereof;

FIG. 6 is a top plan view thereof; and,

FIG. 7 is a bottom plan view thereof.

1 Claim, 6 Drawing Sheets



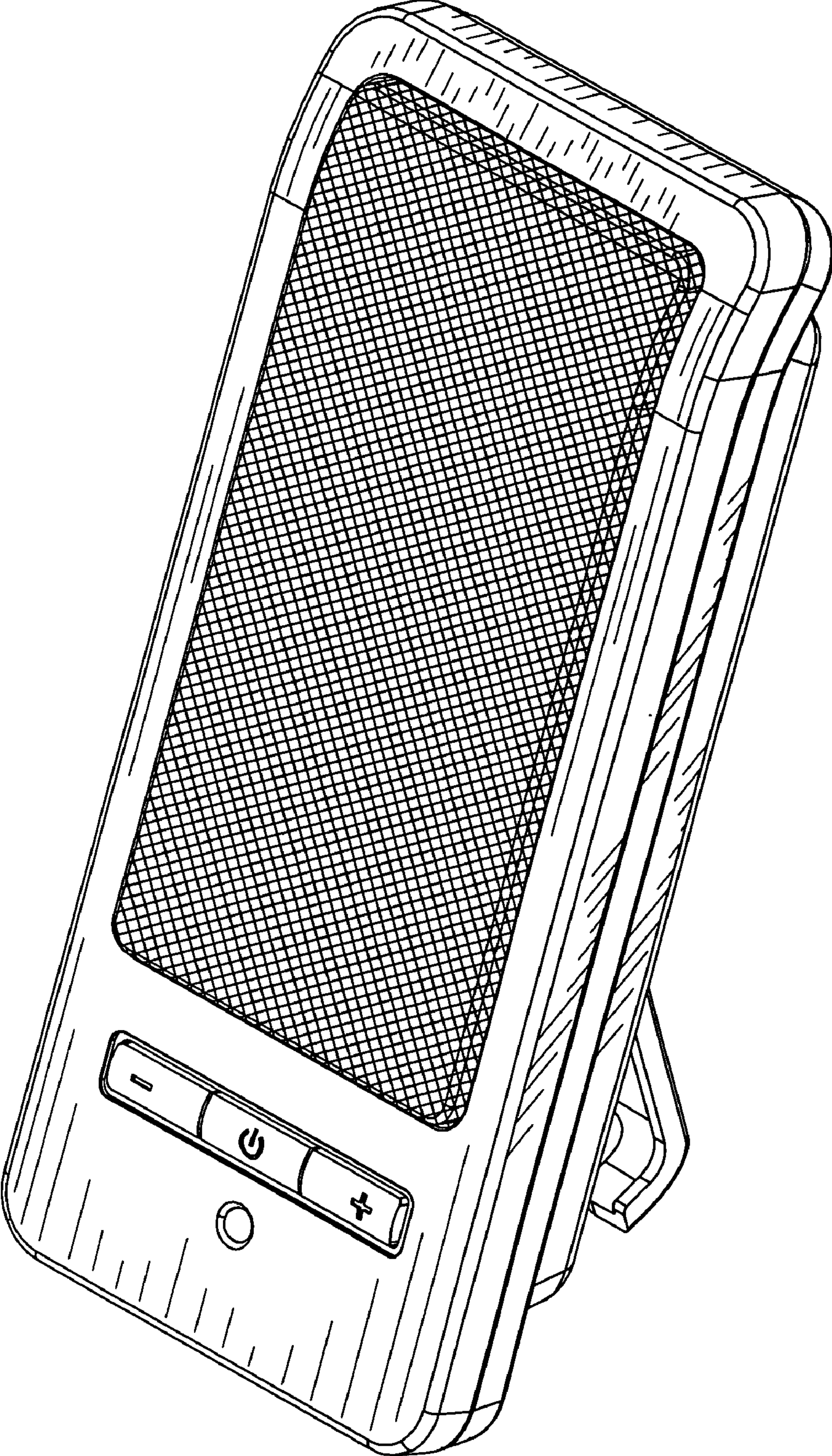


Fig. 1

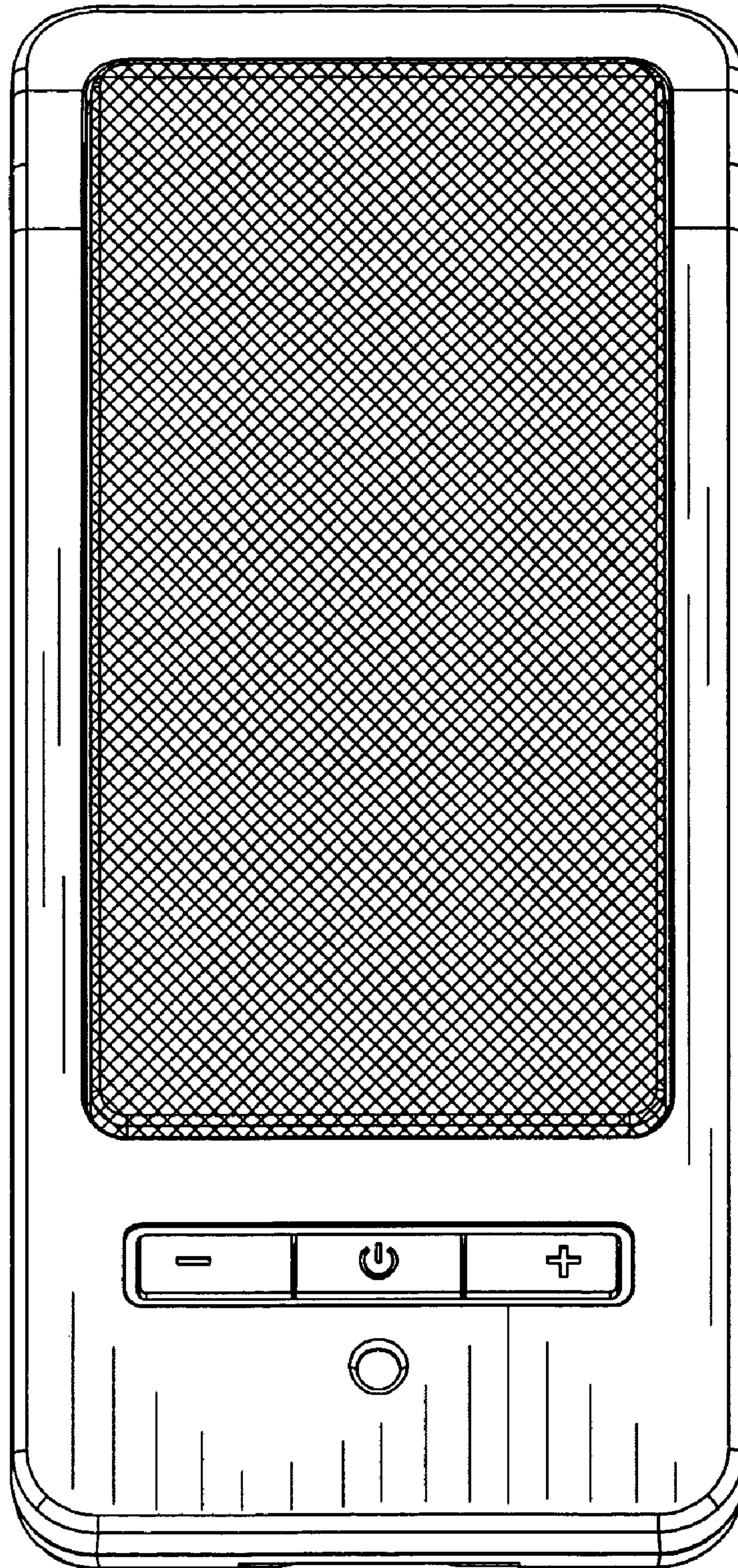


Fig.2

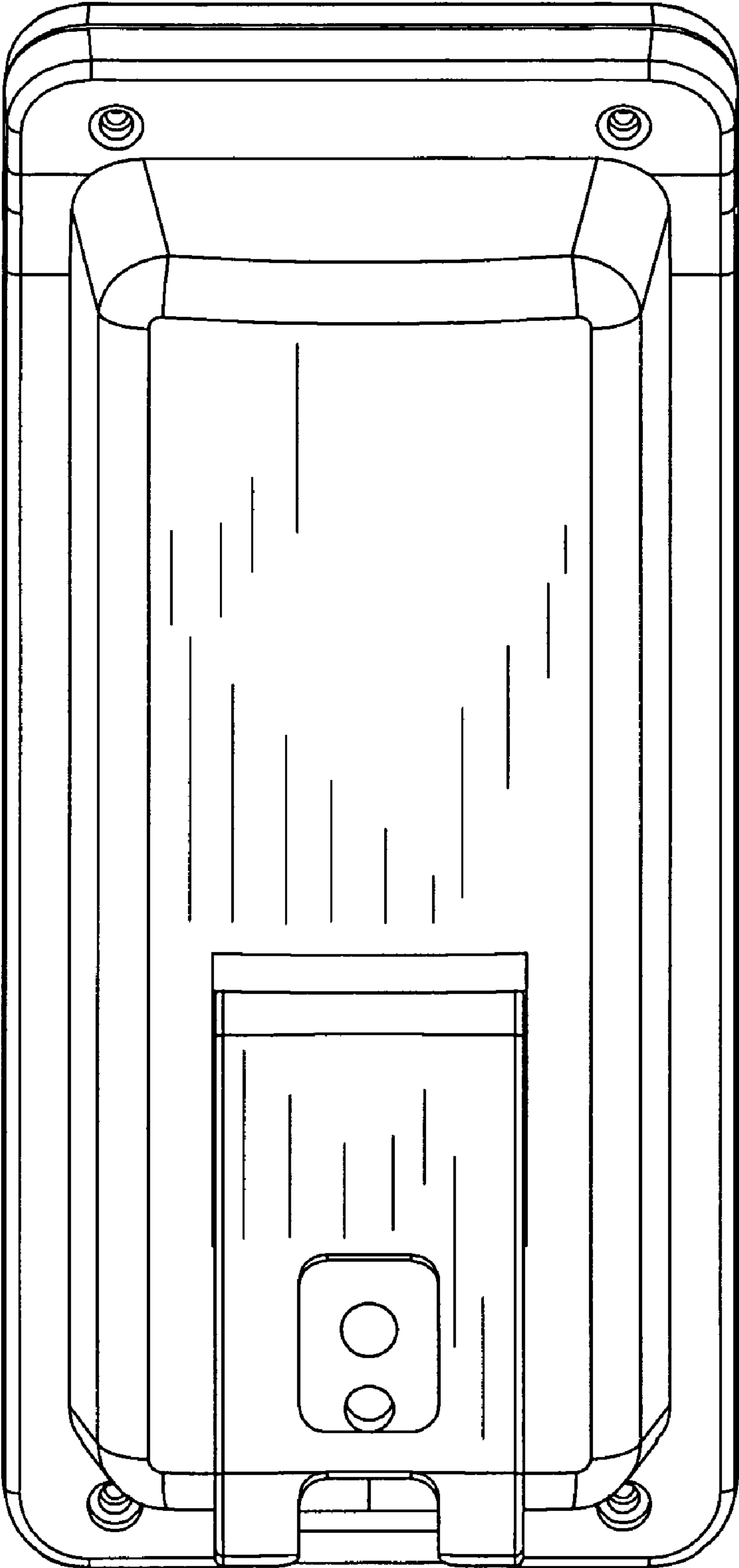


Fig.3

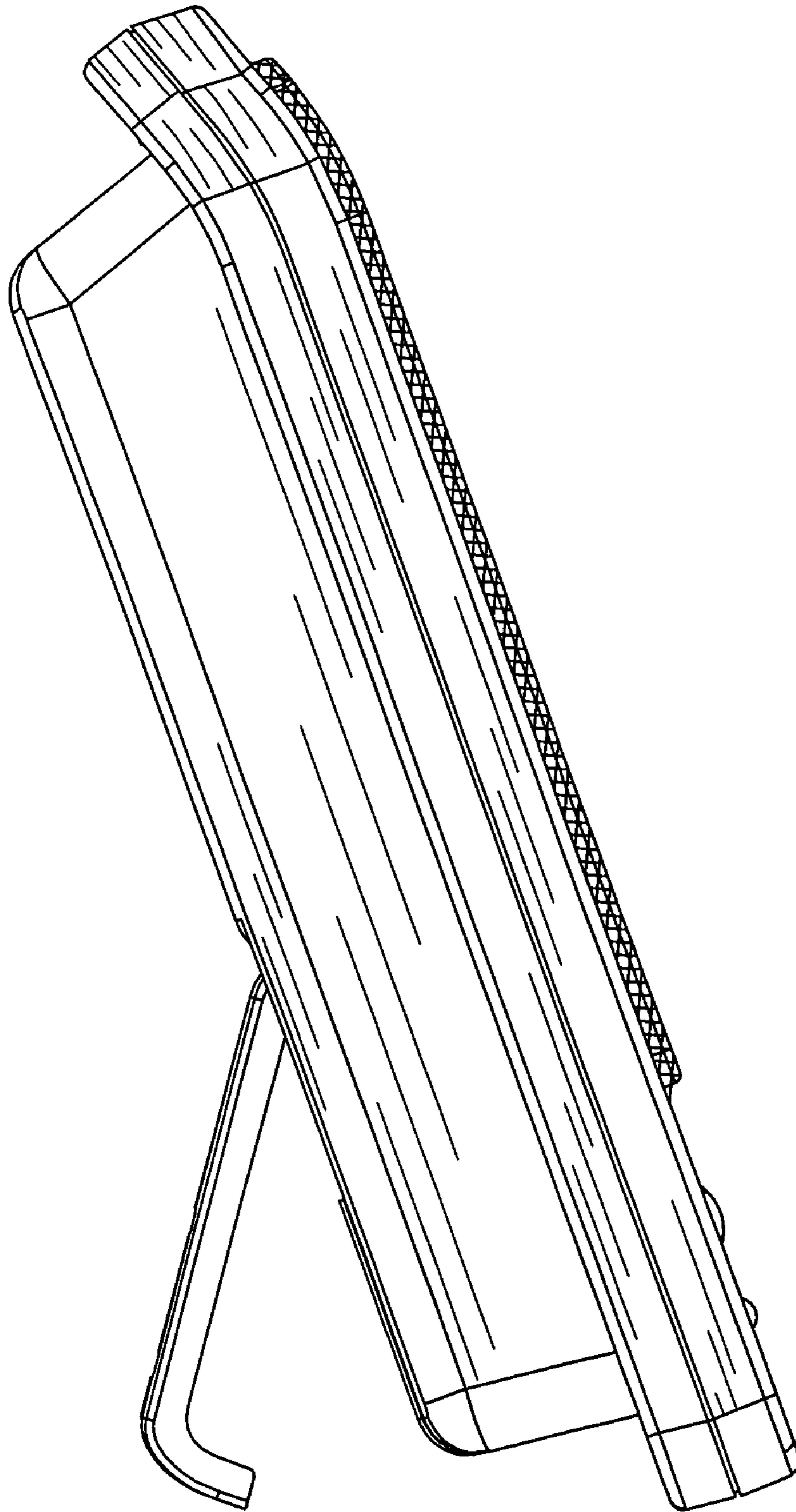


Fig.4

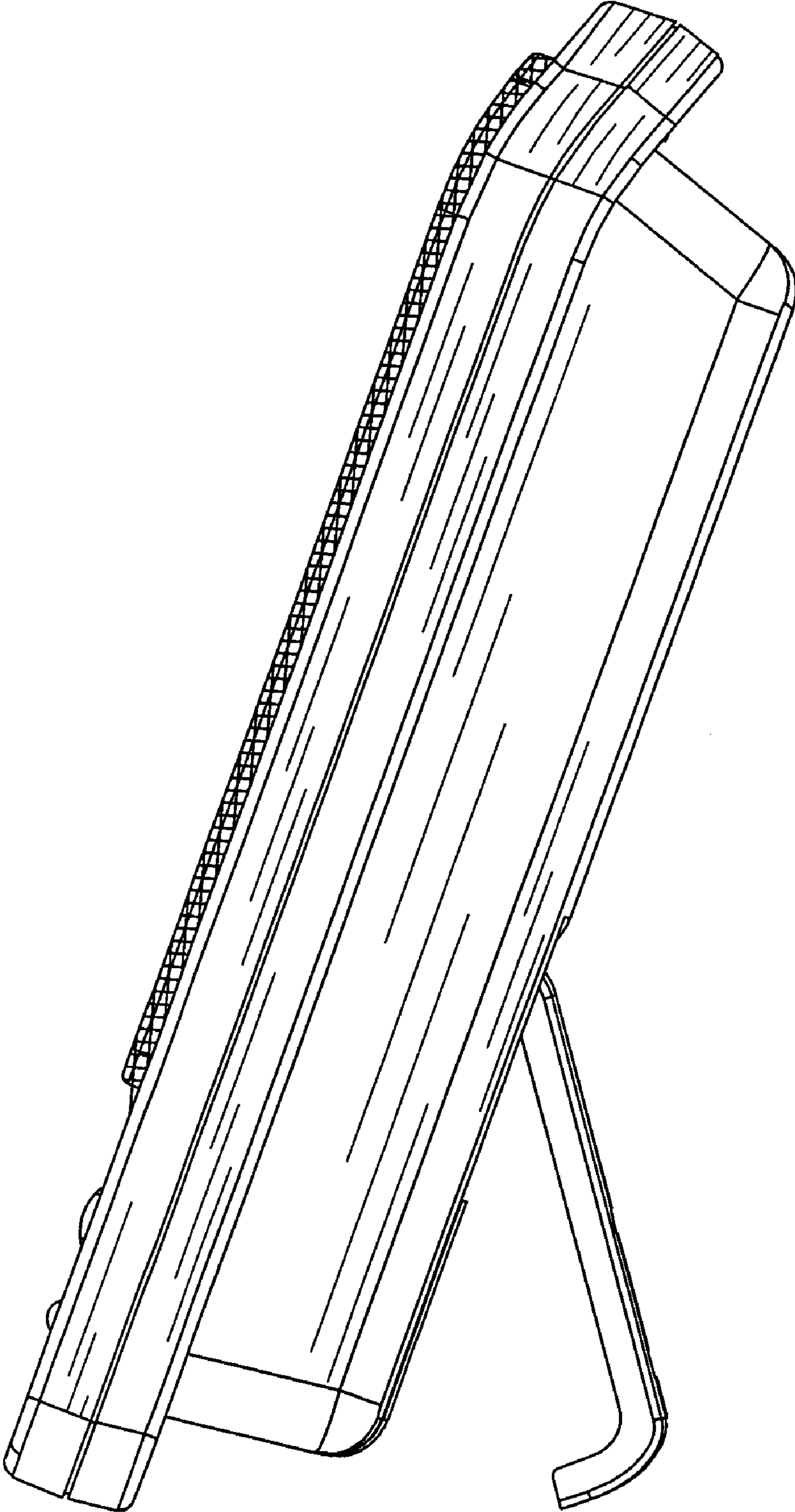


Fig.5

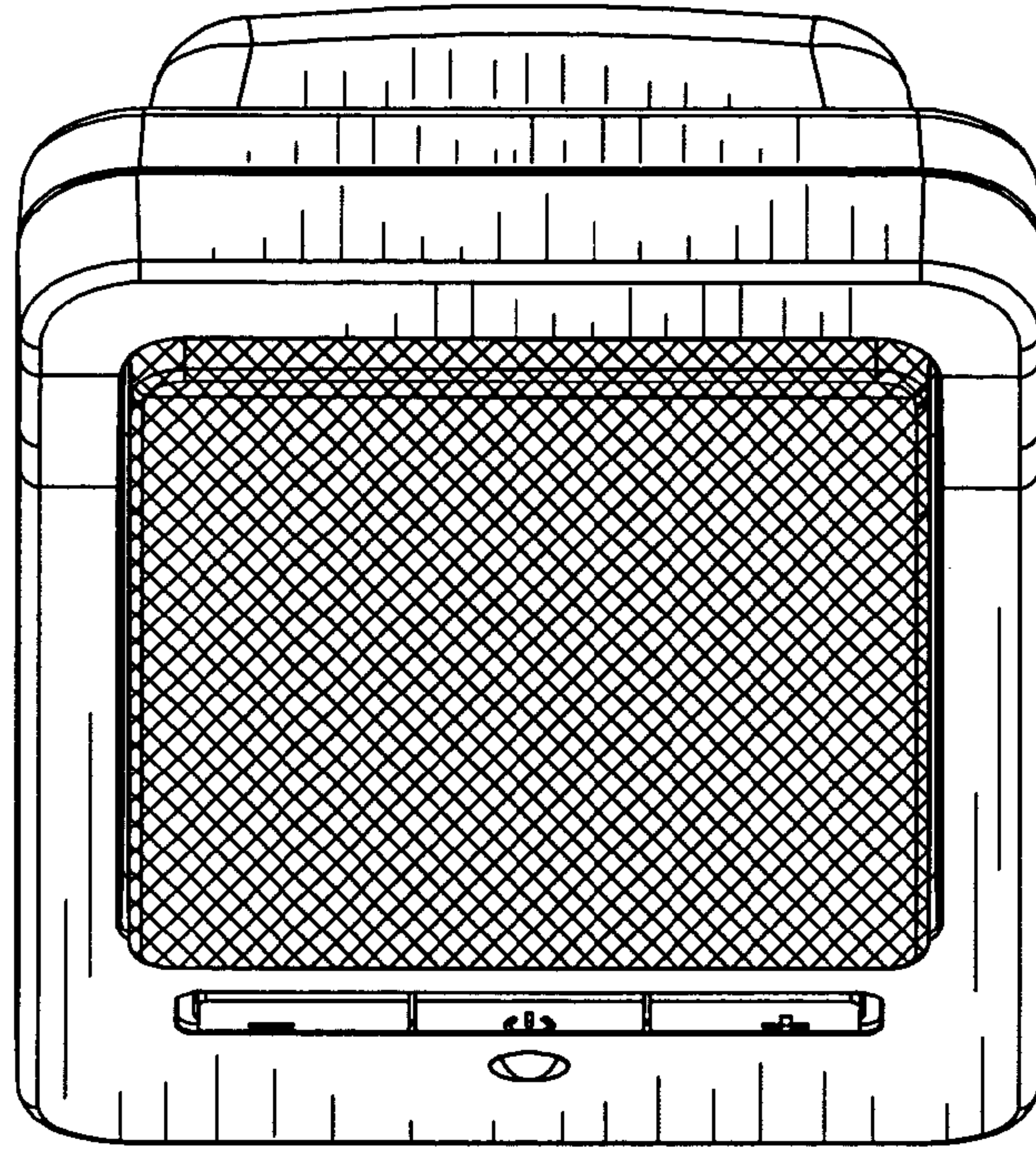


Fig.6

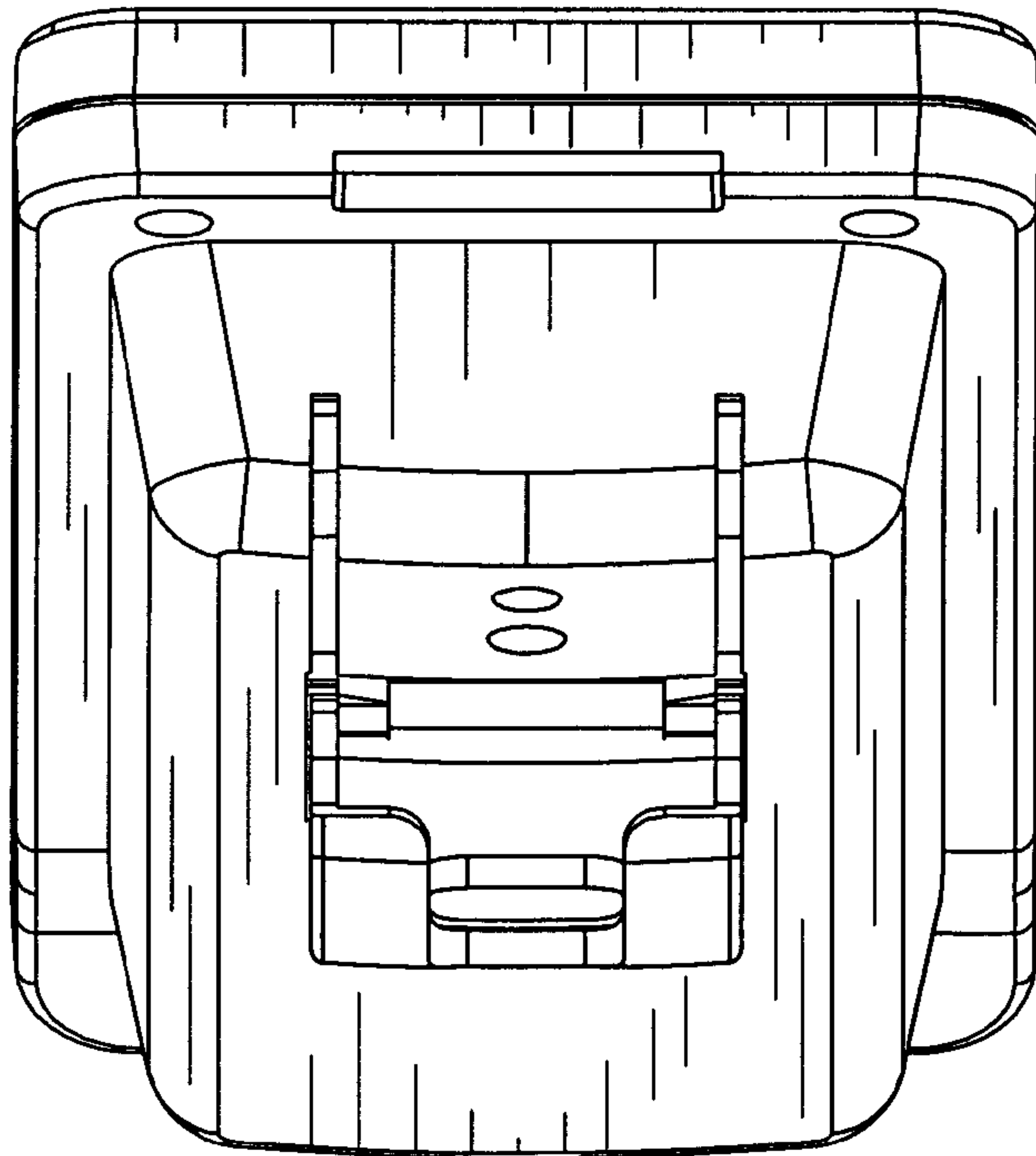


Fig.7