

US00D630182S

(12) **United States Design Patent**
Park et al.

(10) **Patent No.:** **US D630,182 S**
(45) **Date of Patent:** **** Jan. 4, 2011**

(54) **MOBILE PHONE**

(75) Inventors: **Jun-Sang Park**, Anyang-si (KR);
Sang-Min Hyun, Seoul (KR);
Seog-Guen Kim, Seoul (KR)

(73) Assignee: **Samsung Electronics Co., Ltd.**,
Suwon-Si (KR)

(**) Term: **14 Years**

(21) Appl. No.: **29/362,487**

(22) Filed: **May 26, 2010**

(30) **Foreign Application Priority Data**

Jan. 8, 2010 (KR) 30-2010-0000678

(51) **LOC (9) Cl.** **14-03**

(52) **U.S. Cl.** **D14/138 AA**

(58) **Field of Classification Search** D14/138 AA,
D14/496, 341, 345, 346, 203.3, 203.4, 203.7,
D14/138 AD, 138 R; 455/575.1, 556.2; D21/517;
379/433.01, 433.04
See application file for complete search history.

(56) **References Cited**

U.S. PATENT DOCUMENTS

D496,921 S * 10/2004 Hwang D14/138 AA
D525,228 S * 7/2006 Kim et al. D14/138 AA
D543,967 S * 6/2007 Peng D14/138 AA
D545,803 S * 7/2007 Chen D14/138 AA
D548,219 S * 8/2007 Hwang D14/138 AA
D550,193 S * 9/2007 Kim et al. D14/138 AA
D569,823 S * 5/2008 Lyles et al. D14/138 AA
D573,969 S * 7/2008 Tu D14/138 AA
D578,101 S * 10/2008 Park et al. D14/138 AA
D583,350 S * 12/2008 Park et al. D14/138 AA
D588,563 S * 3/2009 Oh et al. D14/138 R

D594,834 S * 6/2009 Su et al. D14/138 AA
D596,599 S * 7/2009 Kim et al. D14/138 AA
D597,044 S * 7/2009 Suk et al. D14/138 AA
D601,982 S * 10/2009 Kim et al. D14/138 AA
D601,984 S * 10/2009 Kim et al. D14/138 AA
D607,867 S * 1/2010 Baik et al. D14/138 AA
D609,204 S * 2/2010 Kim et al. D14/138 AA
D609,669 S * 2/2010 Li et al. D14/138 AA
D610,113 S * 2/2010 Park et al. D14/138 AA

(Continued)

OTHER PUBLICATIONS

Samsung B100 telephone, announced Jan. 2008, [online], [site visited Aug. 17, 2010]. Available from Internet, <URL: <http://www.gsmarena.com>>.*

(Continued)

Primary Examiner—Jeffrey D Asch
(74) *Attorney, Agent, or Firm*—Staas & Halsey LLP

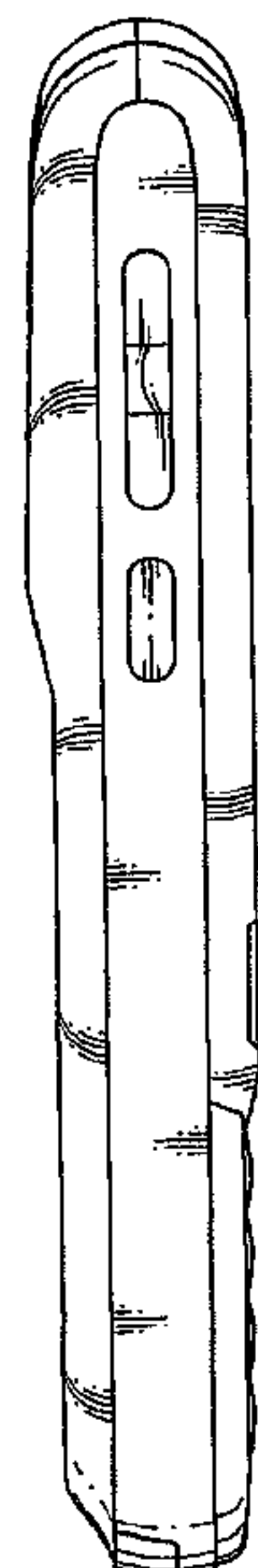
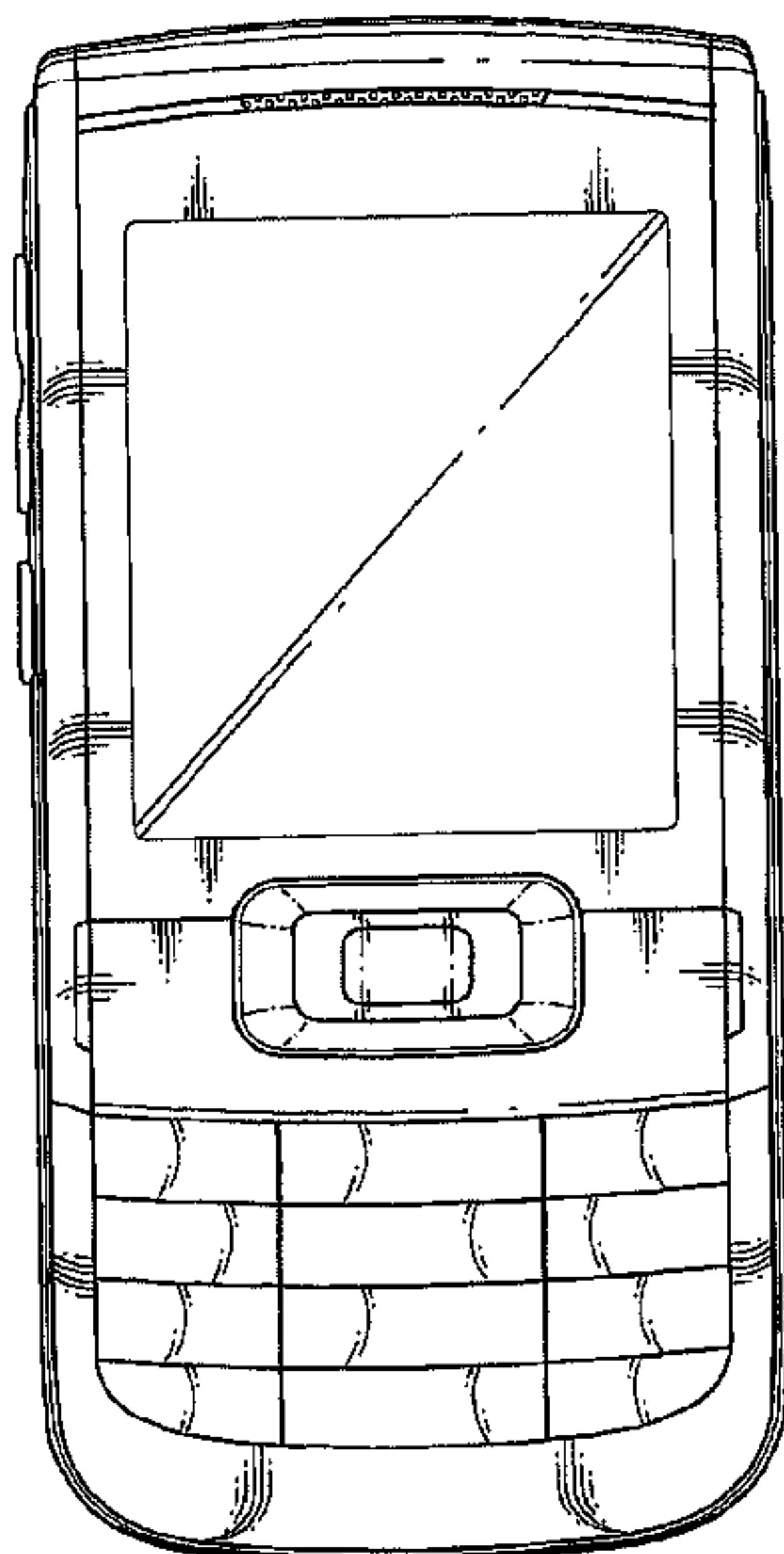
(57) **CLAIM**

The ornamental design for a mobile phone, as shown and described.

DESCRIPTION

FIG. 1 is a front perspective view of a mobile phone;
FIG. 2 is a front view of the mobile phone of FIG. 1;
FIG. 3 is a rear view of the mobile phone of FIG. 1;
FIG. 4 is a left-side view of the mobile phone of FIG. 1;
FIG. 5 is a right-side view of the mobile phone of FIG. 1;
FIG. 6 is a top plan view of the mobile phone of FIG. 1; and,
FIG. 7 is a bottom plan view of the mobile phone of FIG. 1.

1 Claim, 4 Drawing Sheets



U.S. PATENT DOCUMENTS

D610,563 S * 2/2010 Kim et al. D14/138 AA
D615,060 S * 5/2010 Kim et al. D14/138 AA
D615,944 S * 5/2010 Jeong et al. D14/138 AA
7,747,006 B2 * 6/2010 Kim et al. 379/434
D621,377 S * 8/2010 Jung et al. D14/138 AA

OTHER PUBLICATIONS

Samsung C5212 telephone, announced Feb. 2009, [online], [site visited Aug. 17, 2010]. Available from Internet, <URL: <http://www.gsmarena.com>>.*

Pantech PG-1400 telephone, announced 3rd quarter 2005, [online], [site visited Aug. 17, 2010]. Available from Internet, <URL: <http://www.gsmarena.com>>.*

BenQ-Siemens E61 telephone, announced Mar. 2006, [online], [site visited Aug. 17, 2010]. Available from Internet, <URL: <http://www.gsmarena.com>>.*

Samsung P220 telephone, announced Apr. 2008, [online], [site visited Aug. 17, 2010]. Available from Internet, <URL: <http://www.gsmarena.com>>.*

Nokia 6151 telephone, announced Jun. 2006, [online], [site visited Aug. 17, 2010]. Available from Internet, <URL: <http://www.gsmarena.com>>.*

* cited by examiner

FIG. 1

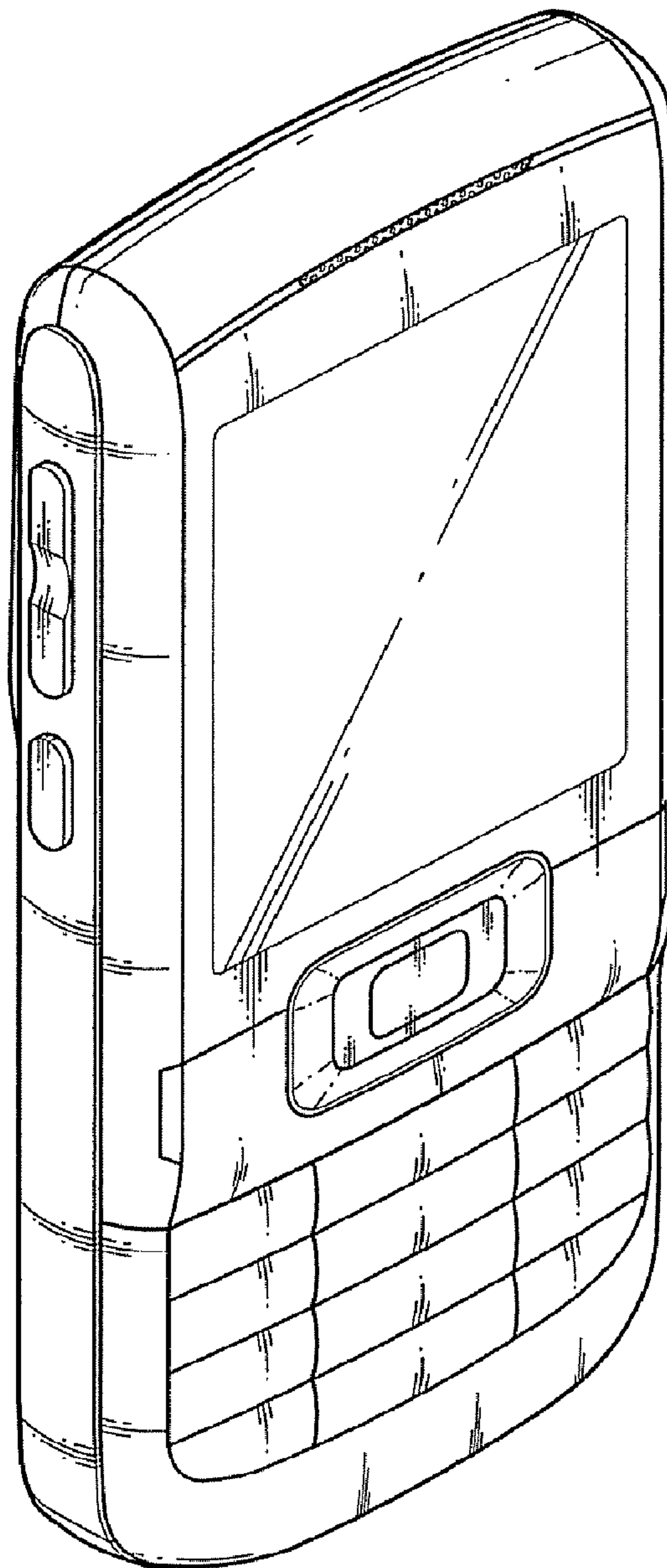


FIG.2

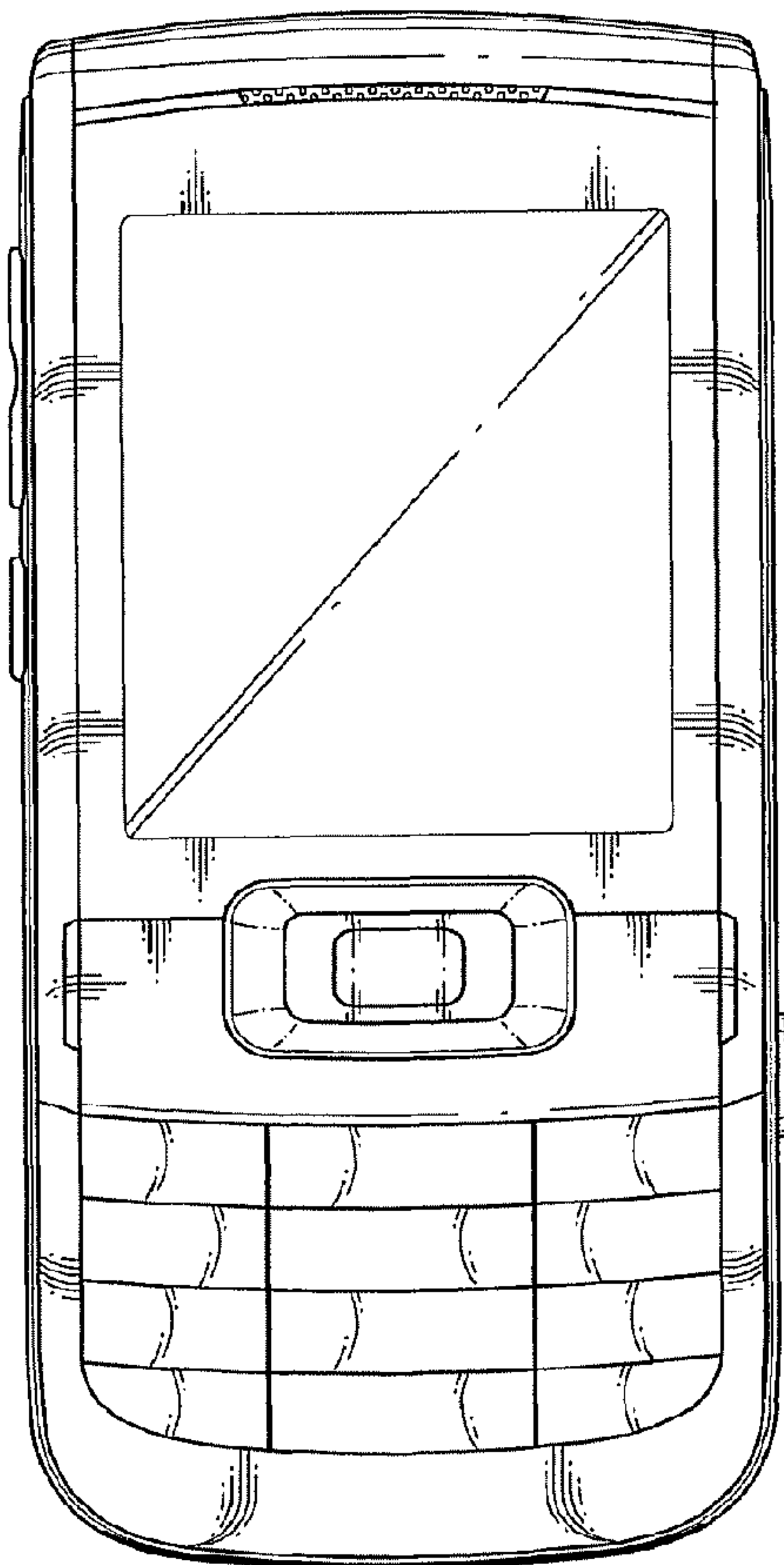


FIG.3

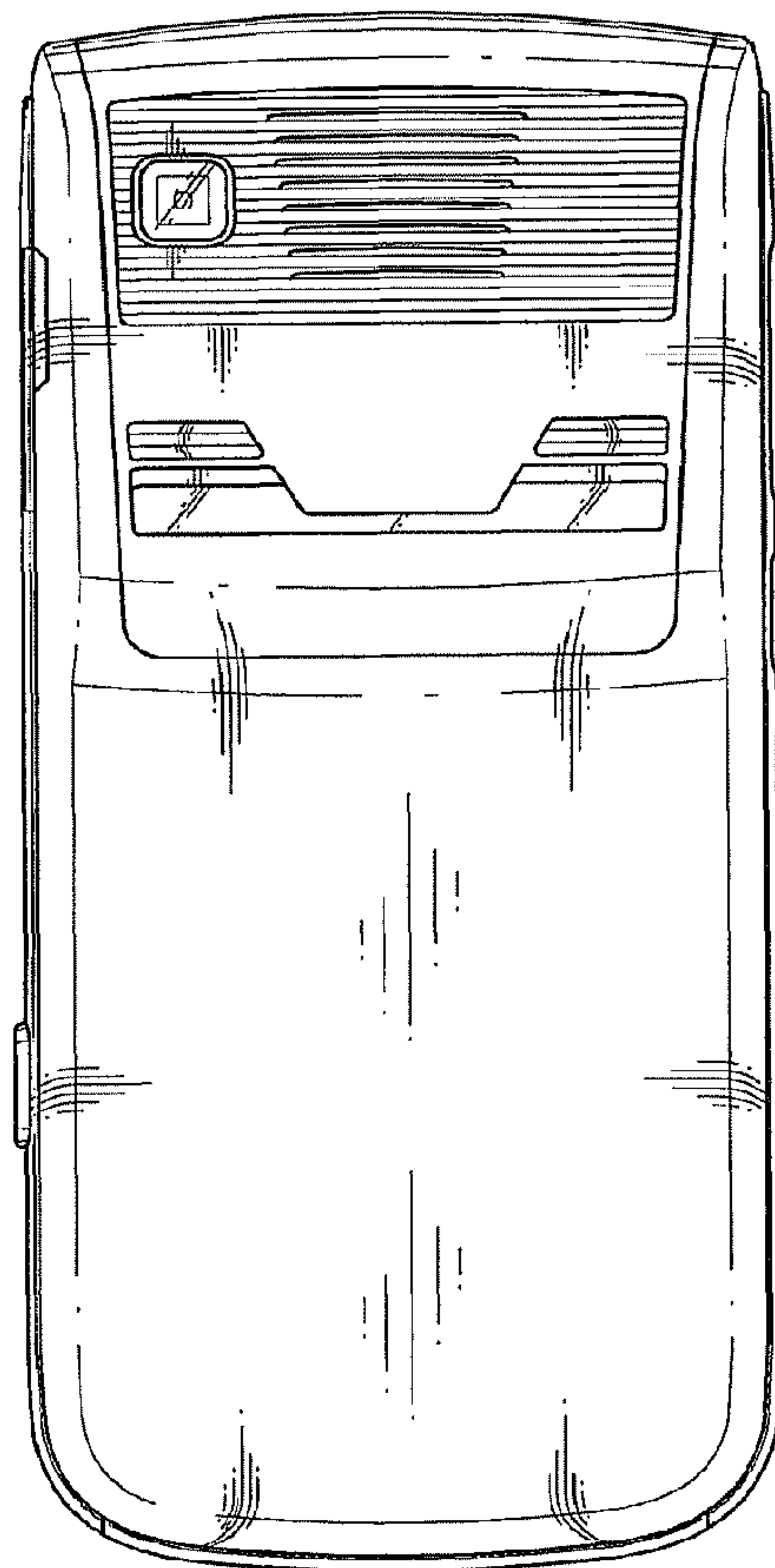


FIG.4

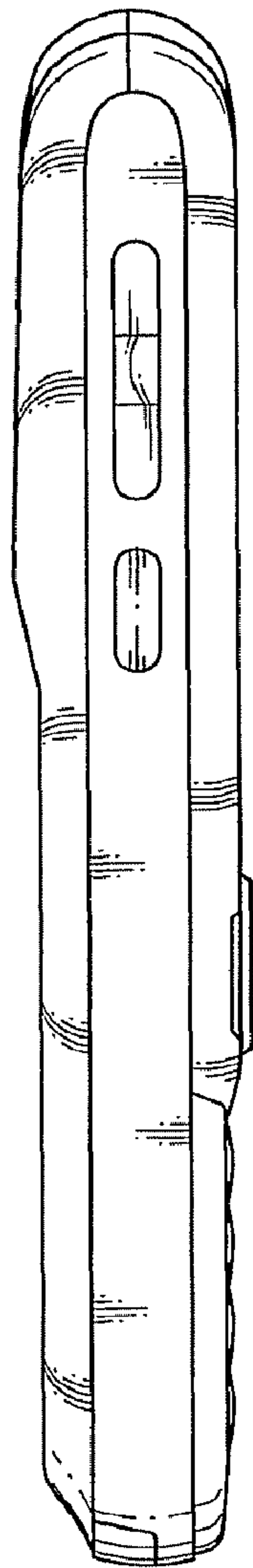


FIG.5

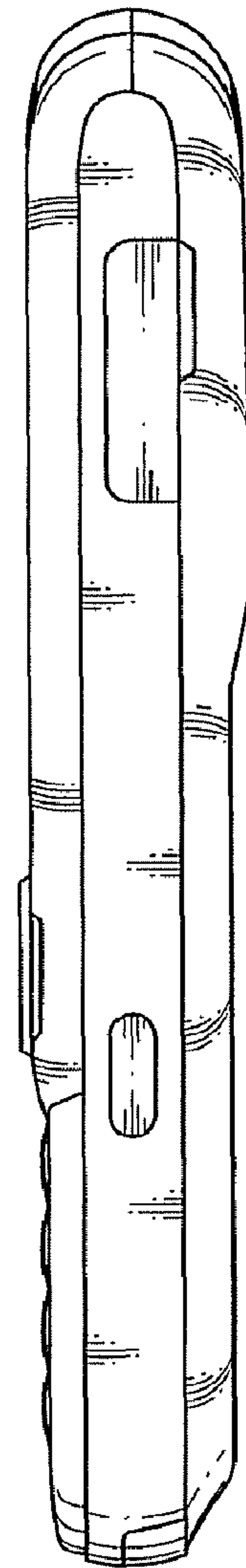


FIG. 6

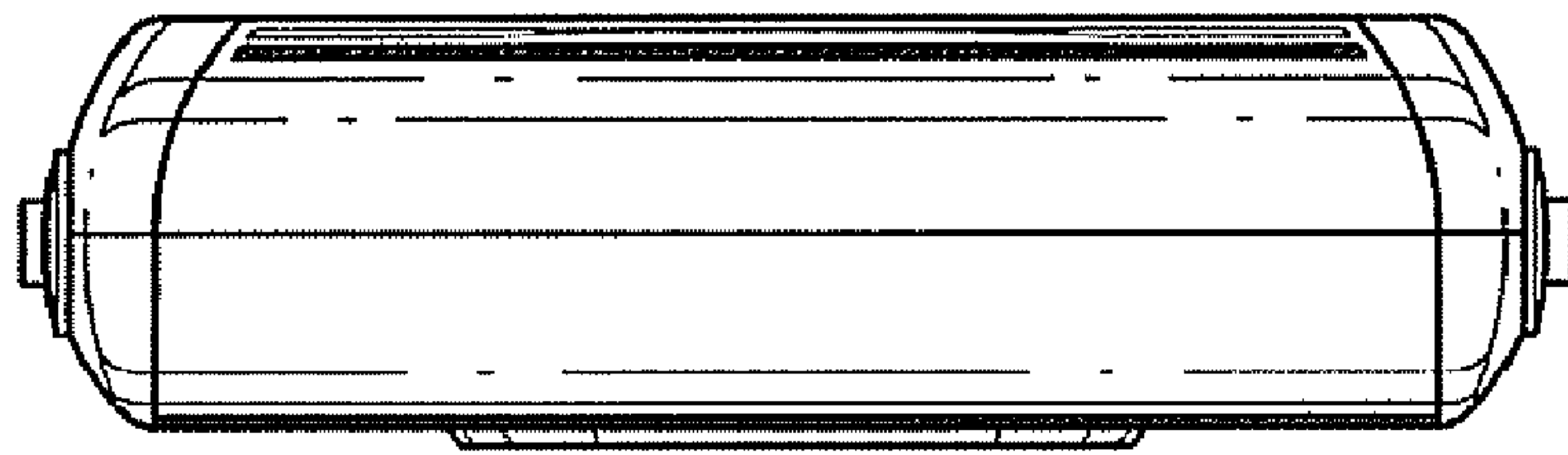


FIG. 7

