



US00D630174S

(12) **United States Design Patent**  
**Park et al.**

(10) **Patent No.:** **US D630,174 S**

(45) **Date of Patent:** **\*\* Jan. 4, 2011**

(54) **MOBILE PHONE**

(75) Inventors: **Jei-Sung Park**, Suwon-si (KR);  
**Yoon-Young Cho**, Seoul (KR);  
**Chang-Hwan Hwang**, Goyang-si (KR)

(73) Assignee: **Samsung Electronics Co., Ltd.**,  
Suwon-Si (KR)

(\*\*) Term: **14 Years**

(21) Appl. No.: **29/335,145**

(22) Filed: **Apr. 9, 2009**

(30) **Foreign Application Priority Data**

Dec. 8, 2008 (KR) ..... 30-2008-0052765

(51) **LOC (9) Cl.** ..... **14-03**

(52) **U.S. Cl.** ..... **D14/138 AB**

(58) **Field of Classification Search** ..... D14/138 AB,  
D14/496, 341, 345, 346, 203.3, 203.4, 203.7;  
455/575.3; D21/517; 379/433.13

See application file for complete search history.

(56) **References Cited**

**U.S. PATENT DOCUMENTS**

D508,035	S	*	8/2005	Kim et al.	.....	D14/138 AB
D543,172	S	*	5/2007	Lee et al.	.....	D14/138 AB
7,269,443	B2	*	9/2007	Park et al.	.....	455/556.2
D560,643	S	*	1/2008	Kim et al.	.....	D14/138 AB
D566,673	S	*	4/2008	Lee	.....	D14/138 AB
D568,863	S	*	5/2008	Lee et al.	.....	D14/138 AB
D570,817	S	*	6/2008	Han et al.	.....	D14/138 AB
D571,345	S	*	6/2008	Kim et al.	.....	D14/138 AB
D572,226	S	*	7/2008	Park et al.	.....	D14/138 AB
D573,125	S	*	7/2008	Lee	.....	D14/138 AB
D573,574	S	*	7/2008	Suk et al.	.....	D14/138 AB
D573,968	S	*	7/2008	Chen et al.	.....	D14/138 AB

D578,980	S	*	10/2008	Minamide et al.	....	D14/138 AB
D578,981	S	*	10/2008	Park et al.	.....	D14/138 AB
D582,877	S	*	12/2008	Lee et al.	.....	D14/138 AB
D583,794	S	*	12/2008	Lee et al.	.....	D14/138 AB
D589,927	S	*	4/2009	Millora et al.	.....	D14/138 AB
D599,765	S	*	9/2009	Park et al.	.....	D14/138 AB
D601,997	S	*	10/2009	Kim et al.	.....	D14/138 AB

(Continued)

**OTHER PUBLICATIONS**

Samsung S3600 telephone, announced Oct. 2008, [online], [site visited Aug. 10, 2010]. Available from Internet ,<URL: <http://www.gsmarena.com>>.\*

(Continued)

*Primary Examiner*—Jeffrey D Asch

(74) *Attorney, Agent, or Firm*—Staas & Halsey LLP

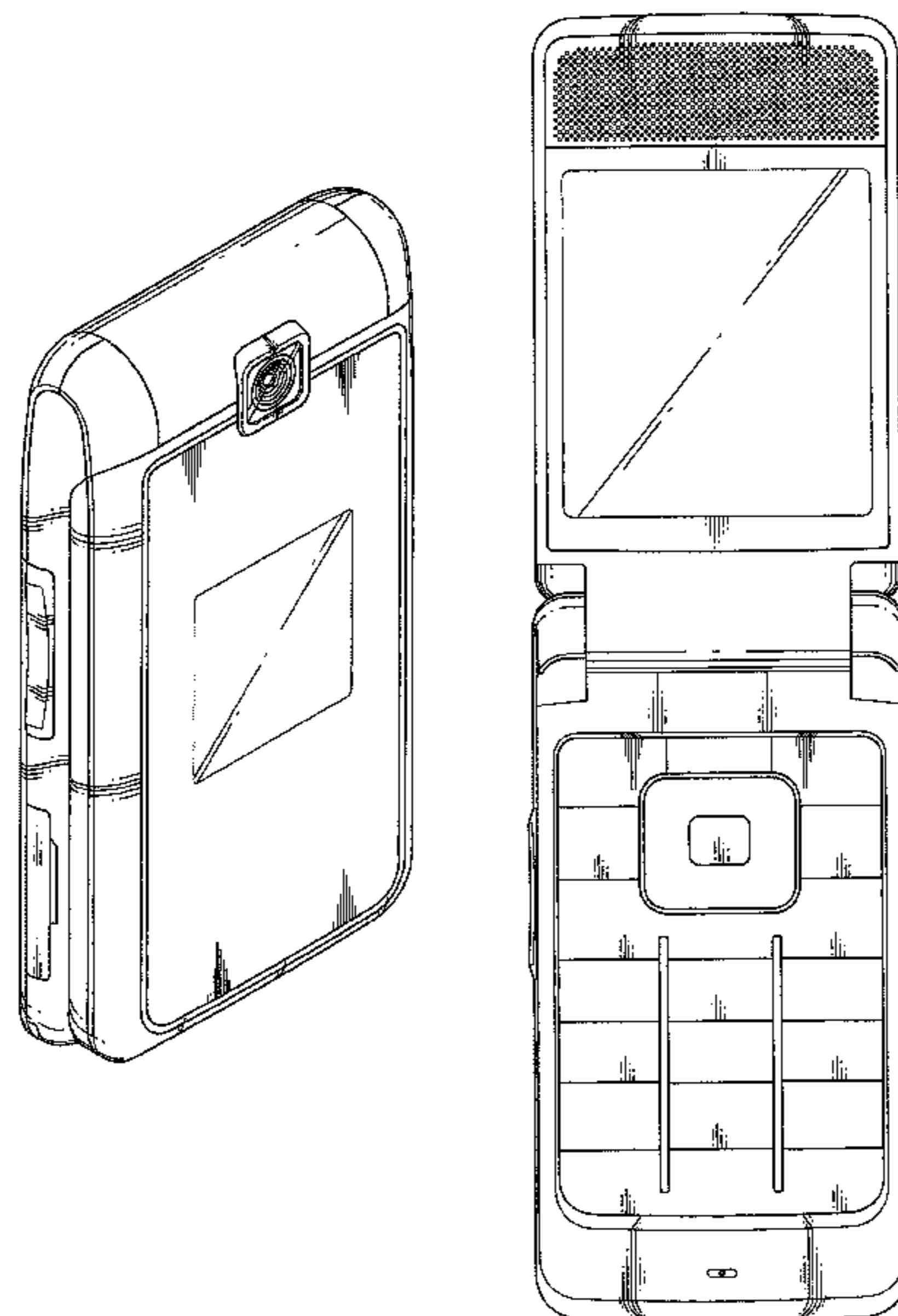
(57) **CLAIM**

The ornamental design for a mobile phone, as shown and described.

**DESCRIPTION**

FIG. 1 is a front perspective view of a mobile phone;  
FIG. 2 is a front view of the mobile phone of FIG. 1;  
FIG. 3 is a rear view of the mobile phone of FIG. 1;  
FIG. 4 is a left-side view of the mobile phone of FIG. 1;  
FIG. 5 is a right-side view of the mobile phone of FIG. 1;  
FIG. 6 is a top plan view of the mobile phone of FIG. 1;  
FIG. 7 is a bottom plan view of the mobile phone of FIG. 1;  
and,  
FIG. 8 is a front open view of the mobile phone of FIG. 1.

**1 Claim, 5 Drawing Sheets**



U.S. PATENT DOCUMENTS

D603,828 S \* 11/2009 Park et al. .... D14/138 AB  
D607,857 S \* 1/2010 Kim et al. .... D14/138 AB  
D614,598 S \* 4/2010 Lee et al. .... D14/138 AB  
D615,057 S \* 5/2010 Kim et al. .... D14/138 AB  
2009/0247246 A1\* 10/2009 Takita et al. .... 455/575.3

OTHER PUBLICATIONS

LG KP210 telephone, announced Feb. 2008, [online], [site visited Aug. 10, 2010]. Available from Internet ,<URL: <http://www.gsmarena.com>>.\*

Samsung G400 Soul telephone, announced Mar. 2008, [online], [site visited Aug. 10, 2010]. Available from Internet ,<URL: <http://www.gsmarena.com>>.\*

Sagem my850c telephone, announced Mar. 2006, [online], [site visited Aug. 10, 2010]. Available from Internet ,<URL: <http://www.gsmarena.com>>.\*

LG KP235 telephone, announced Feb. 2008, [online], [site visited Aug. 10, 2010]. Available from Internet, <URL: <http://www.gsmarena.com>>.\*

\* cited by examiner

# FIG. 1

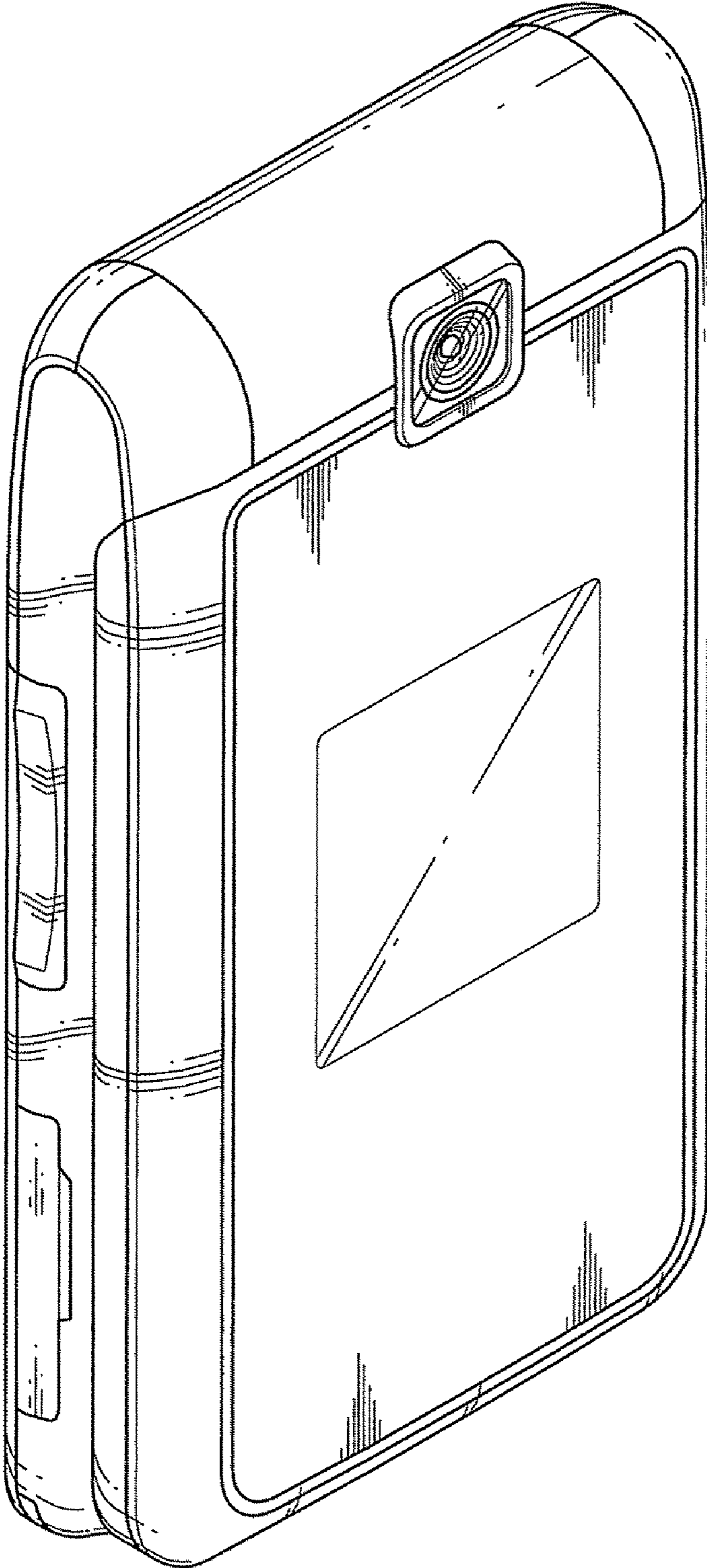


FIG. 2

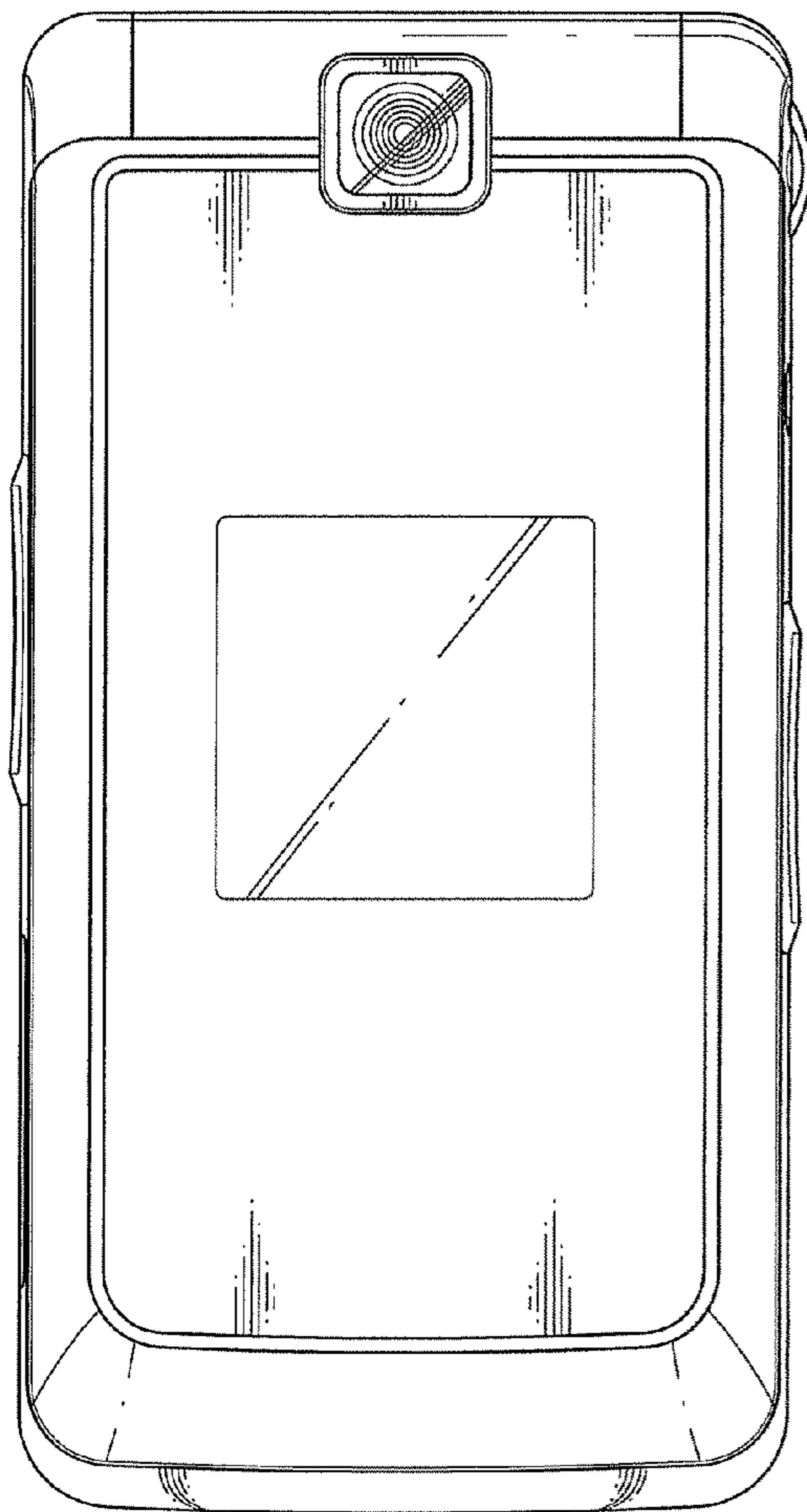


FIG. 3

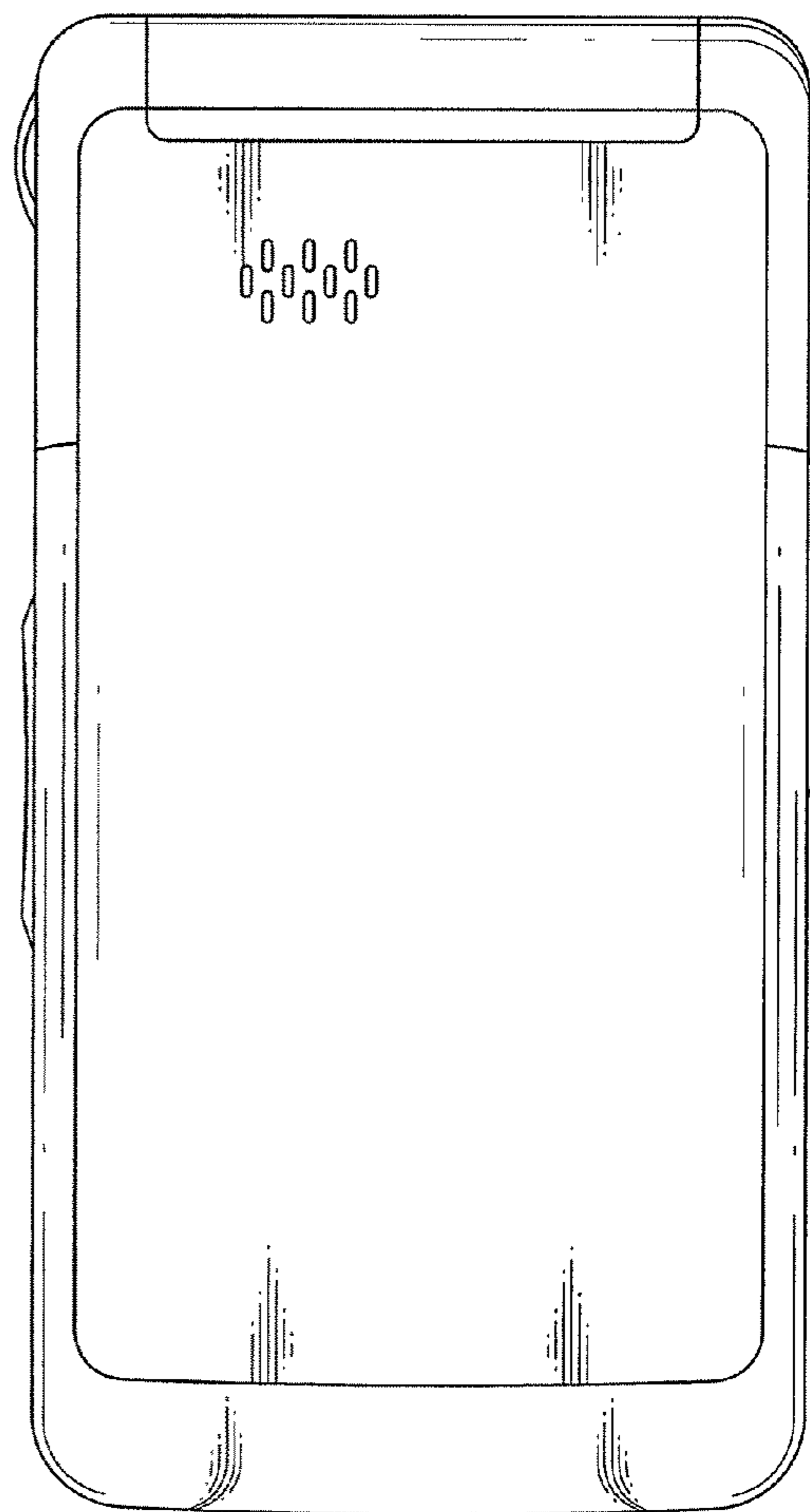




FIG. 4

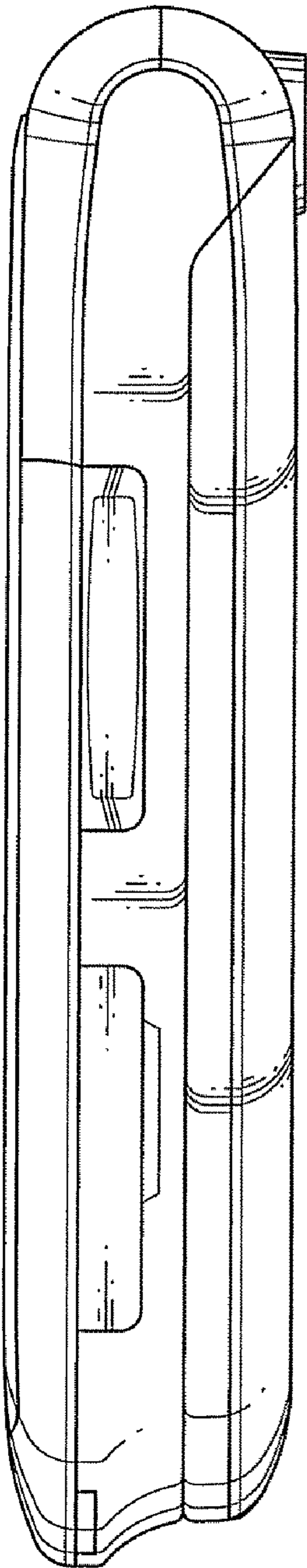


FIG. 5

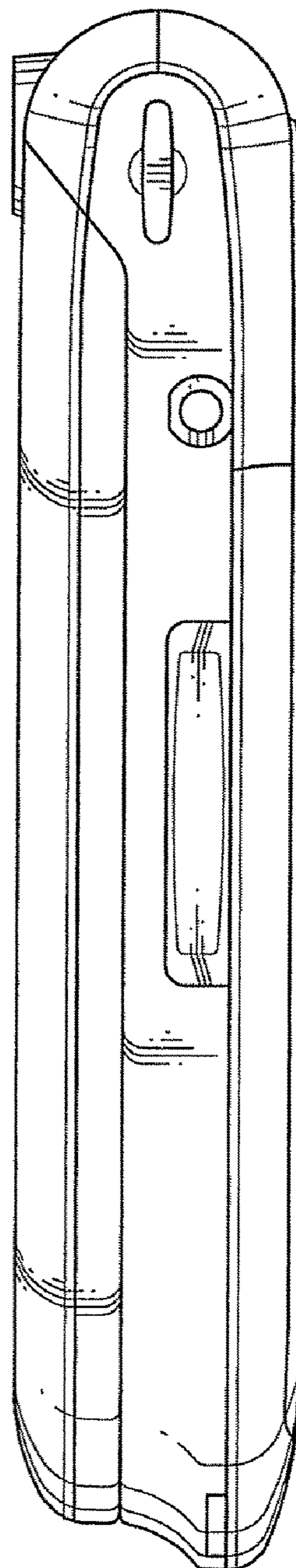


FIG. 6

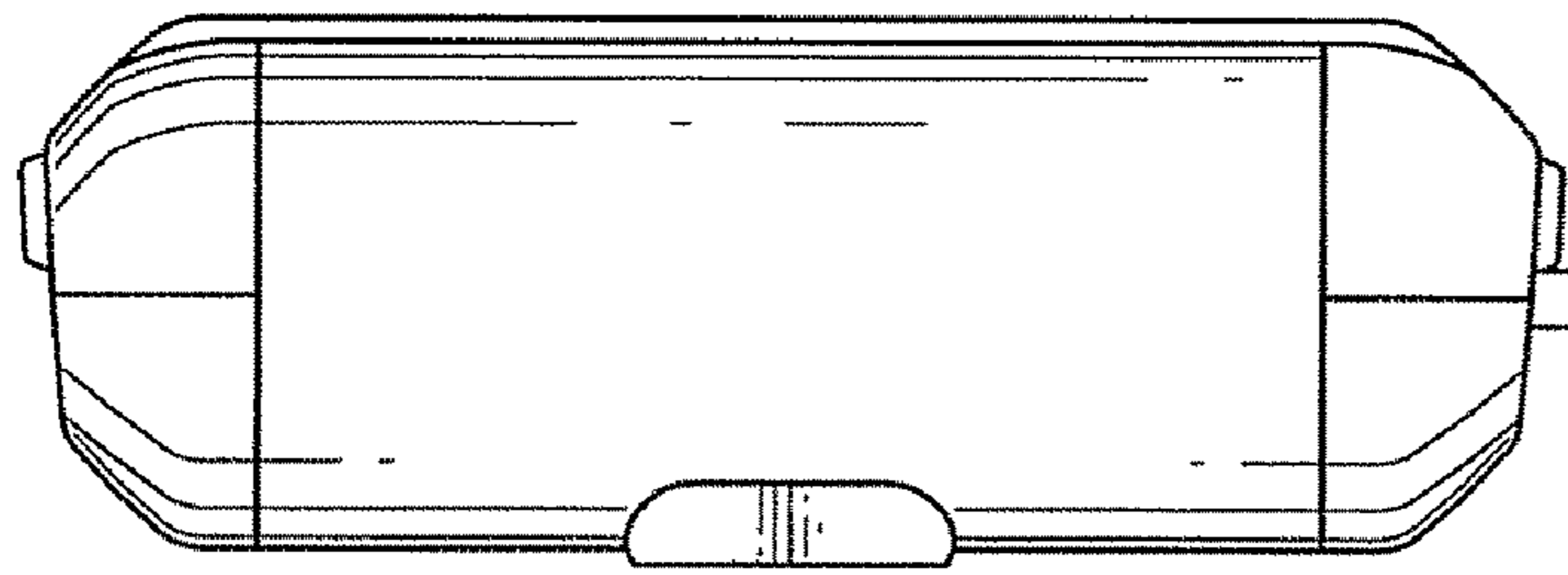


FIG. 7

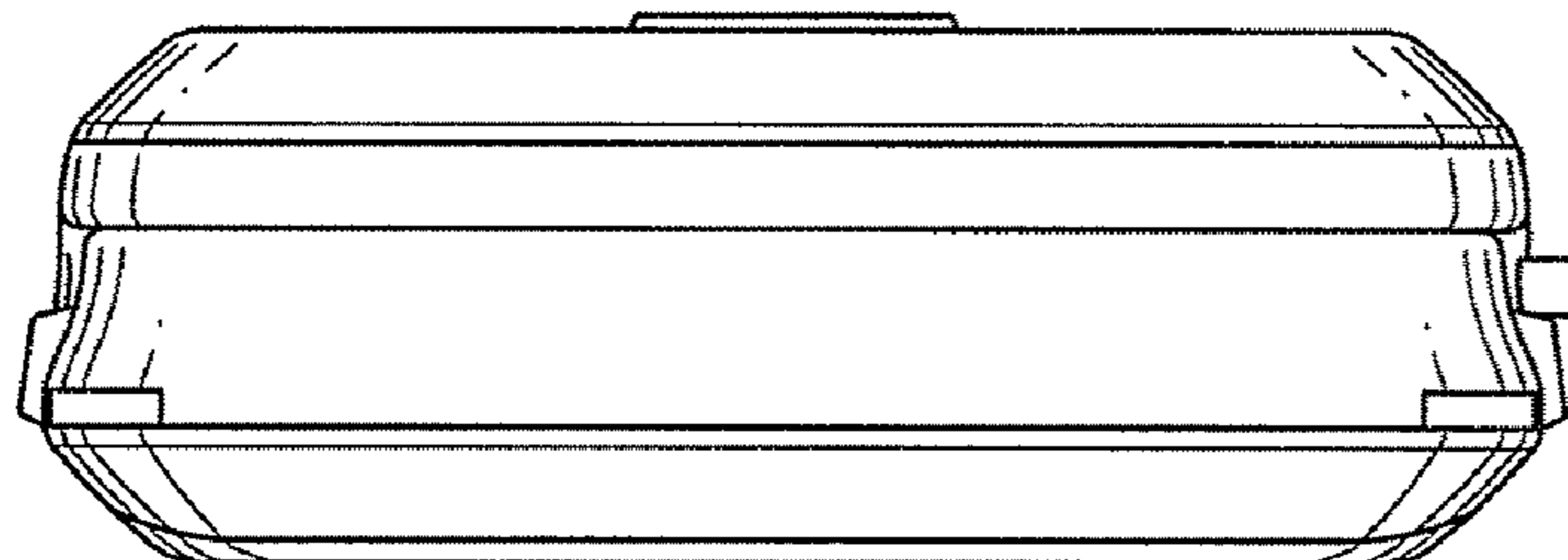


FIG. 8

