

US00D630172S

(12) **United States Design Patent**
Lin

(10) **Patent No.:** **US D630,172 S**
(45) **Date of Patent:** **** Jan. 4, 2011**

(54) **LIGHT EMITTING DIODE**

(75) Inventor: **Jung-Chiuan Lin**, Tucheng (TW)

(73) Assignee: **Everlight Electronics Co., Ltd.**,
Tucheng, Taipei County (TW)

(**) Term: **14 Years**

(21) Appl. No.: **29/360,450**

(22) Filed: **Apr. 26, 2010**

(51) **LOC (9) Cl.** **13-03**

(52) **U.S. Cl.** **D13/180**

(58) **Field of Classification Search** D13/180;
D26/2; 257/79, 80, 81, 88, 89, 95, 98, 99,
257/100, E33.058; 313/483, 498, 500; 362/555,
362/800

See application file for complete search history.

(56) **References Cited**

U.S. PATENT DOCUMENTS

D494,550	S *	8/2004	Hoshiba	D13/180
D495,304	S *	8/2004	Kim et al.	D13/180
D578,084	S *	10/2008	Kobayakawa	D13/180
D578,969	S *	10/2008	Kobayakawa	D13/180
D595,244	S *	6/2009	In et al.	D13/180
D595,245	S *	6/2009	Kim et al.	D13/180
D595,675	S *	7/2009	Wang et al.	D13/180
D596,591	S *	7/2009	In et al.	D13/180
D606,950	S *	12/2009	Ariizumi	D13/180
D608,309	S *	1/2010	Kim	D13/180
D611,012	S *	3/2010	Hsieh	D13/180
2009/0194782	A1 *	8/2009	Hata et al.	257/98
2010/0102348	A1 *	4/2010	Lin	257/98

FOREIGN PATENT DOCUMENTS

JP	D1342132	10/2008
JP	D1383066	3/2010

JP	D1383142	3/2010
JP	D1383440	3/2010
KR	30-0437750	1/2007
KR	30-0471434	12/2007
KR	30-0498174	7/2008
KR	30-0506111	9/2008
KR	30-0530344	6/2009
KR	30-0531036	6/2009
KR	30-0546939	12/2009

* cited by examiner

Primary Examiner—Selina Sikder

(74) *Attorney, Agent, or Firm*—Thomas, Kayden,
Horstemeyer & Risley, LLP

(57) **CLAIM**

The ornamental design for a light emitting diode, as shown and described.

DESCRIPTION

FIG. 1 is a perspective view of a light emitting diode showing the claimed design;

FIG. 2 is another perspective view thereof;

FIG. 3 is a front elevational view thereof, which is a mirror image of the rear elevational view;

FIG. 4 is a left side elevational view thereof;

FIG. 5 is a right side elevational view thereof;

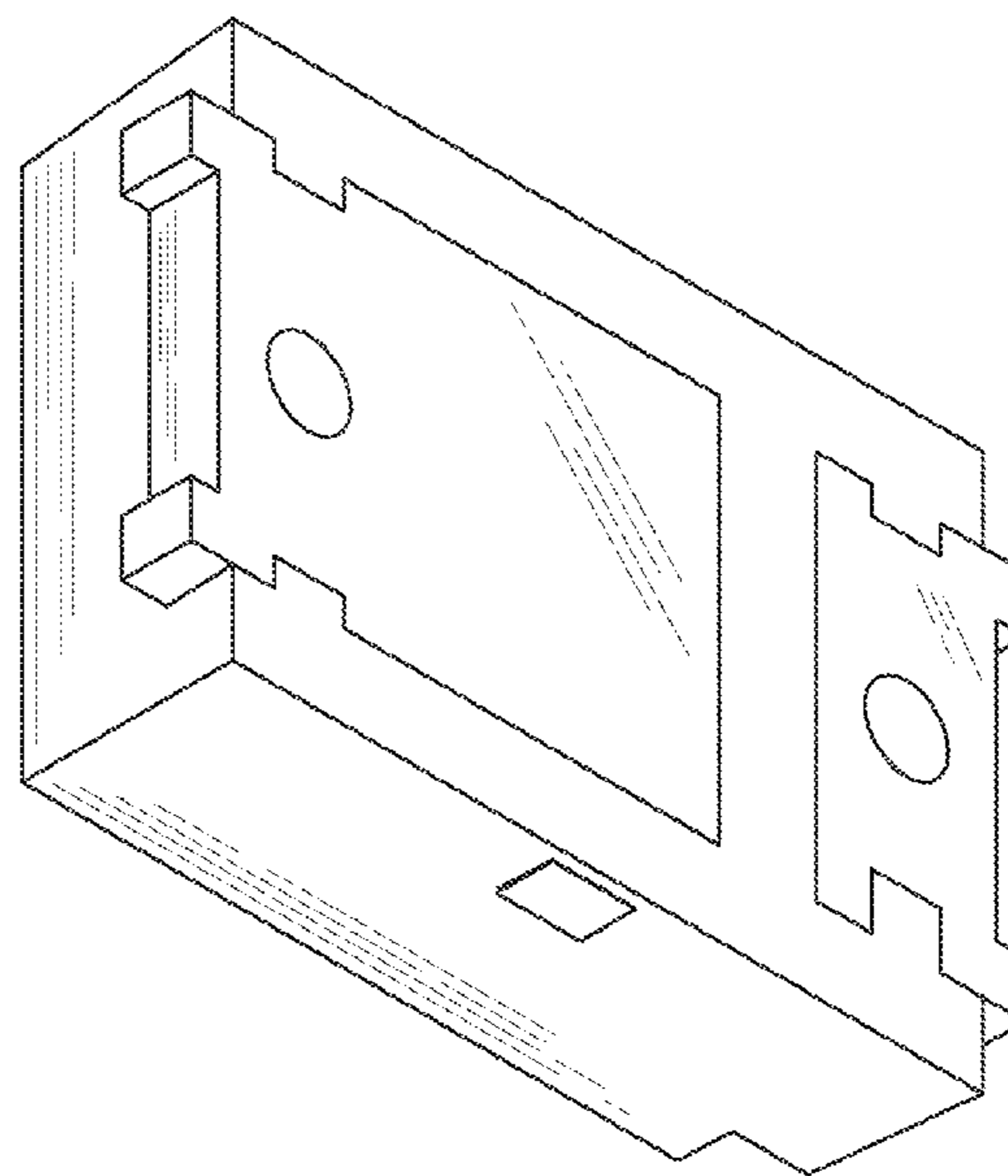
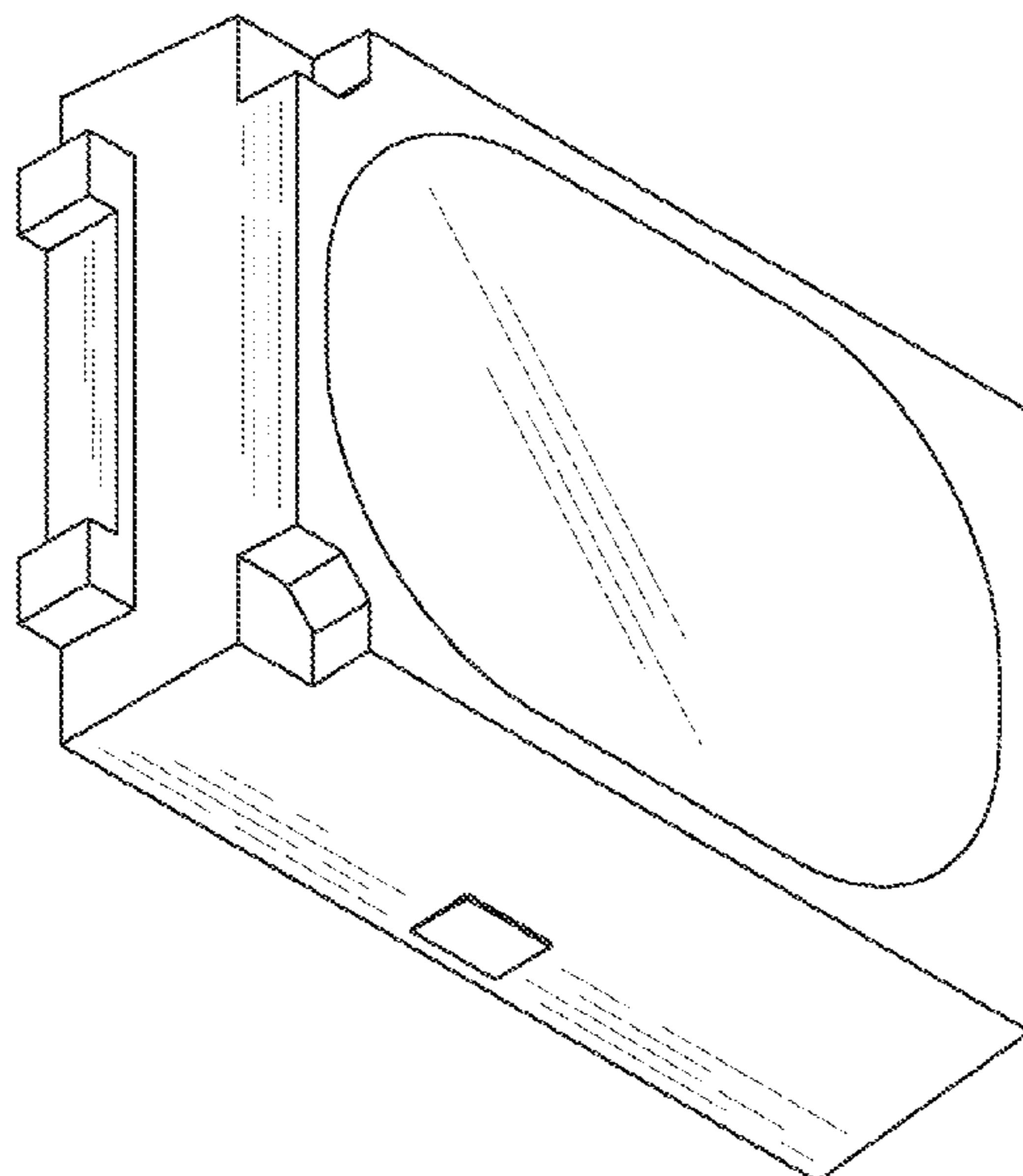
FIG. 6 is a top plan view thereof;

FIG. 7 is a bottom plan view thereof; and,

FIG. 8 is a reference view showing the visible inner structure through the light transmissible portion.

The light transmissible portion of the design is made of light transmissible material. The broken lines are directed to environment and form no part of the claimed design.

1 Claim, 5 Drawing Sheets



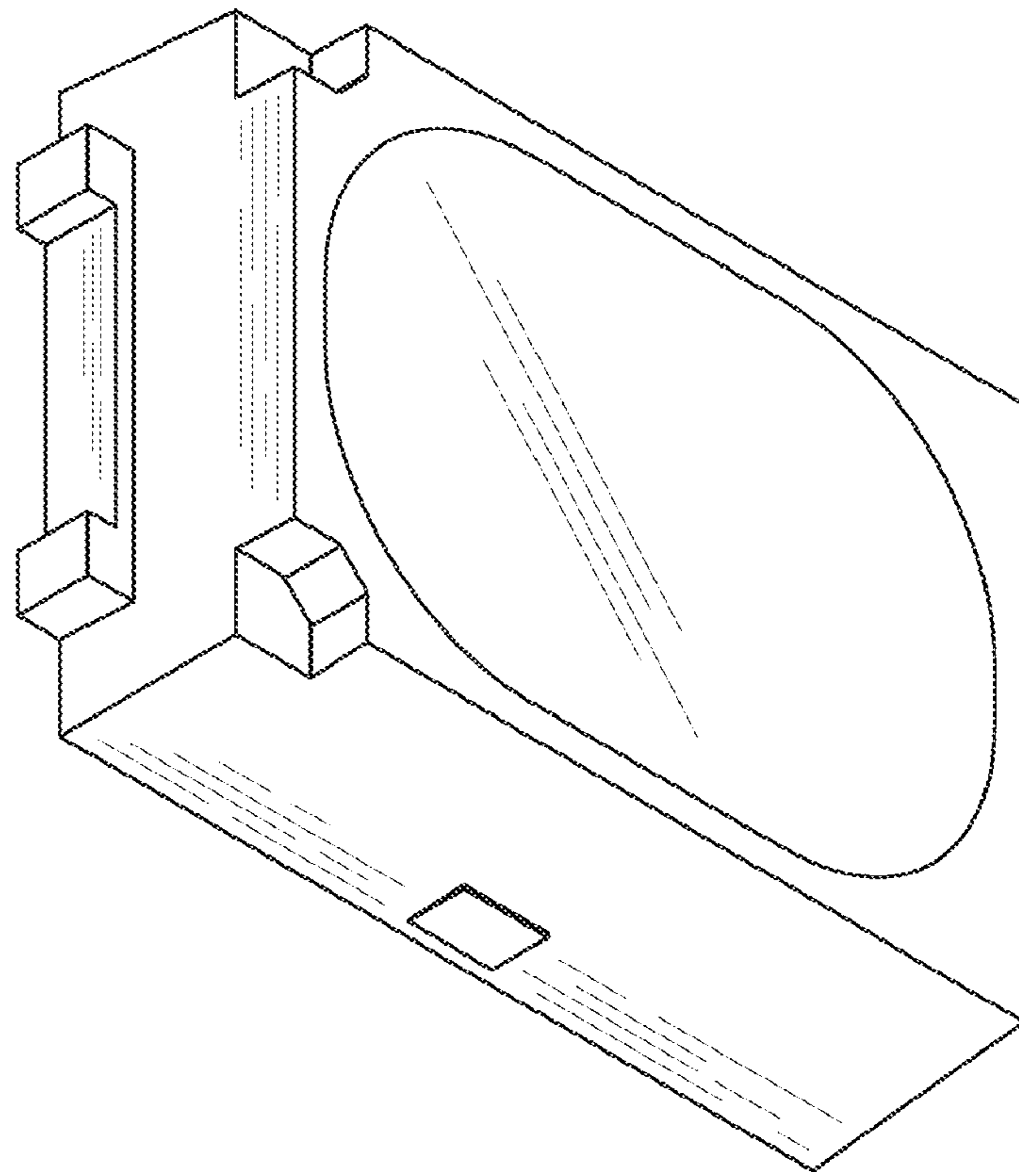


FIG.1

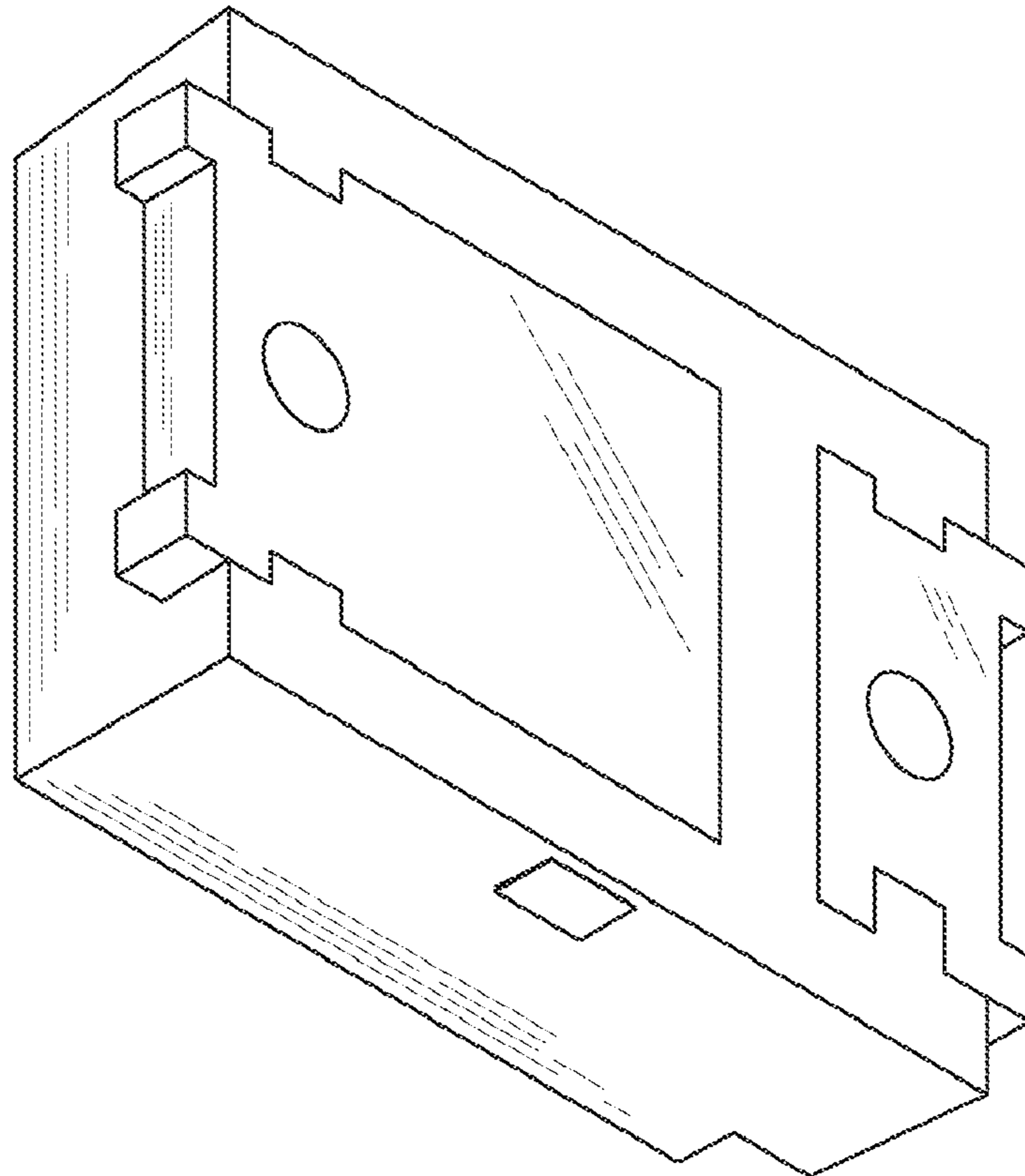


FIG. 2

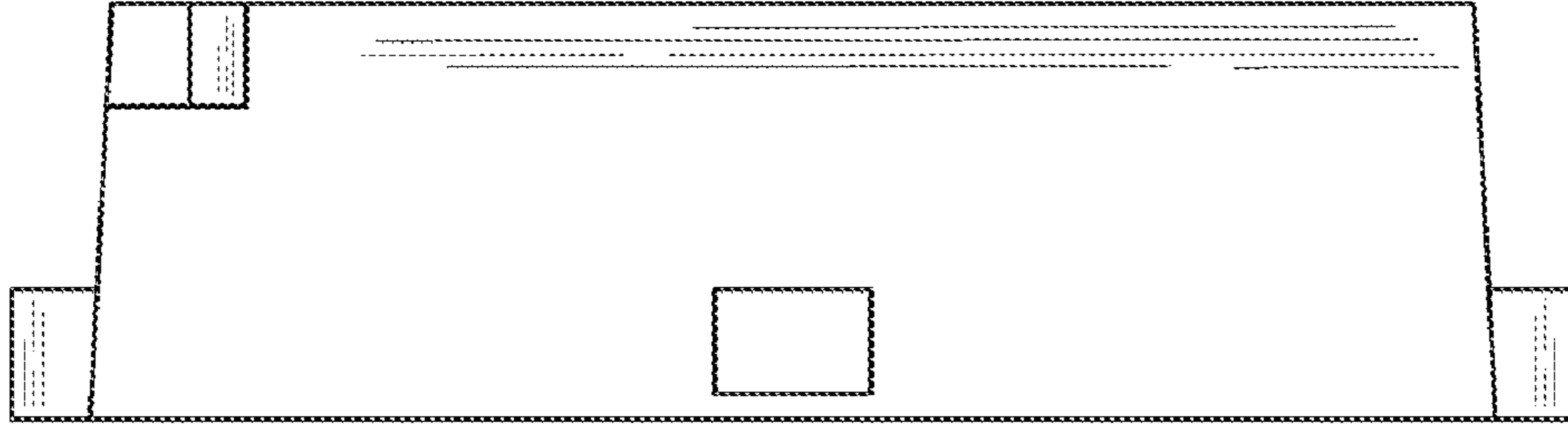


FIG. 3

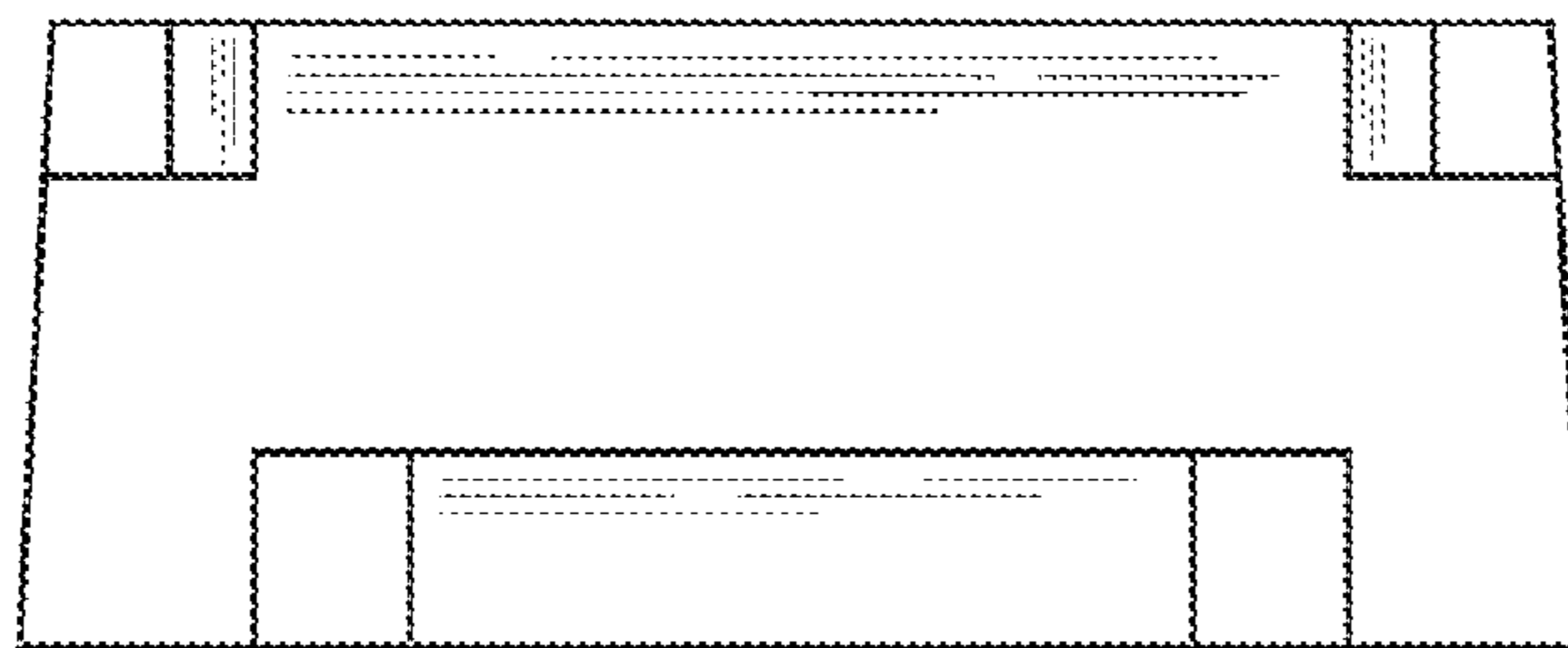


FIG. 4

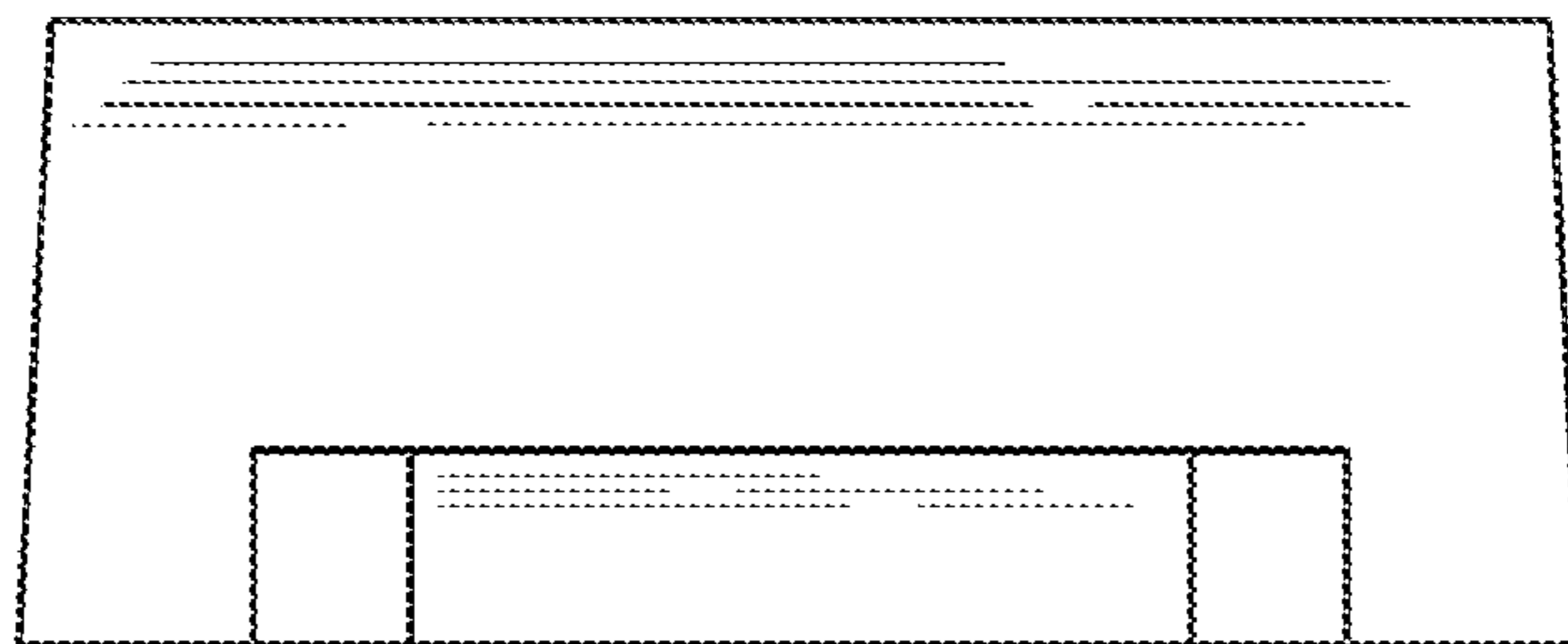


FIG. 5

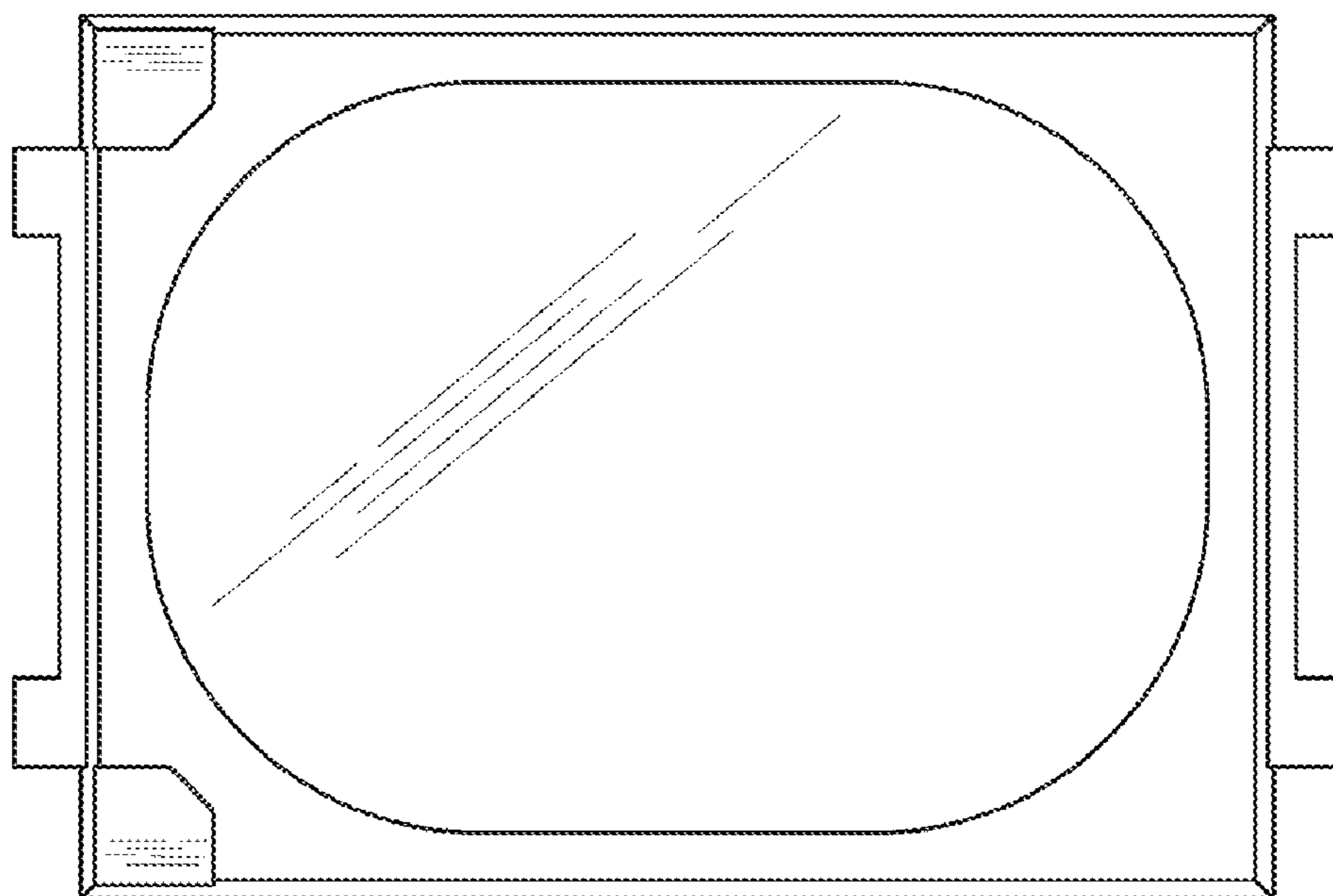


FIG. 6

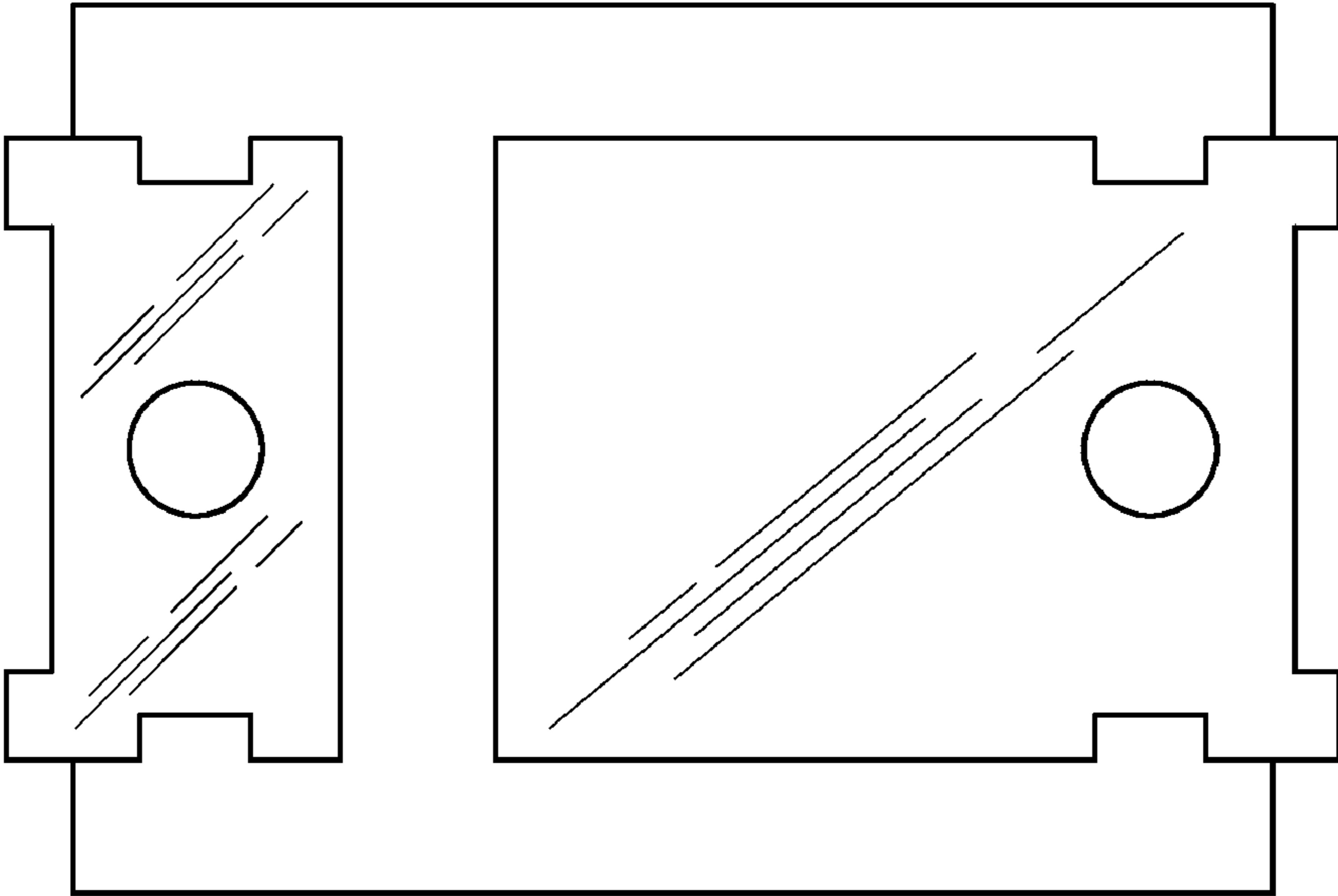


FIG. 7

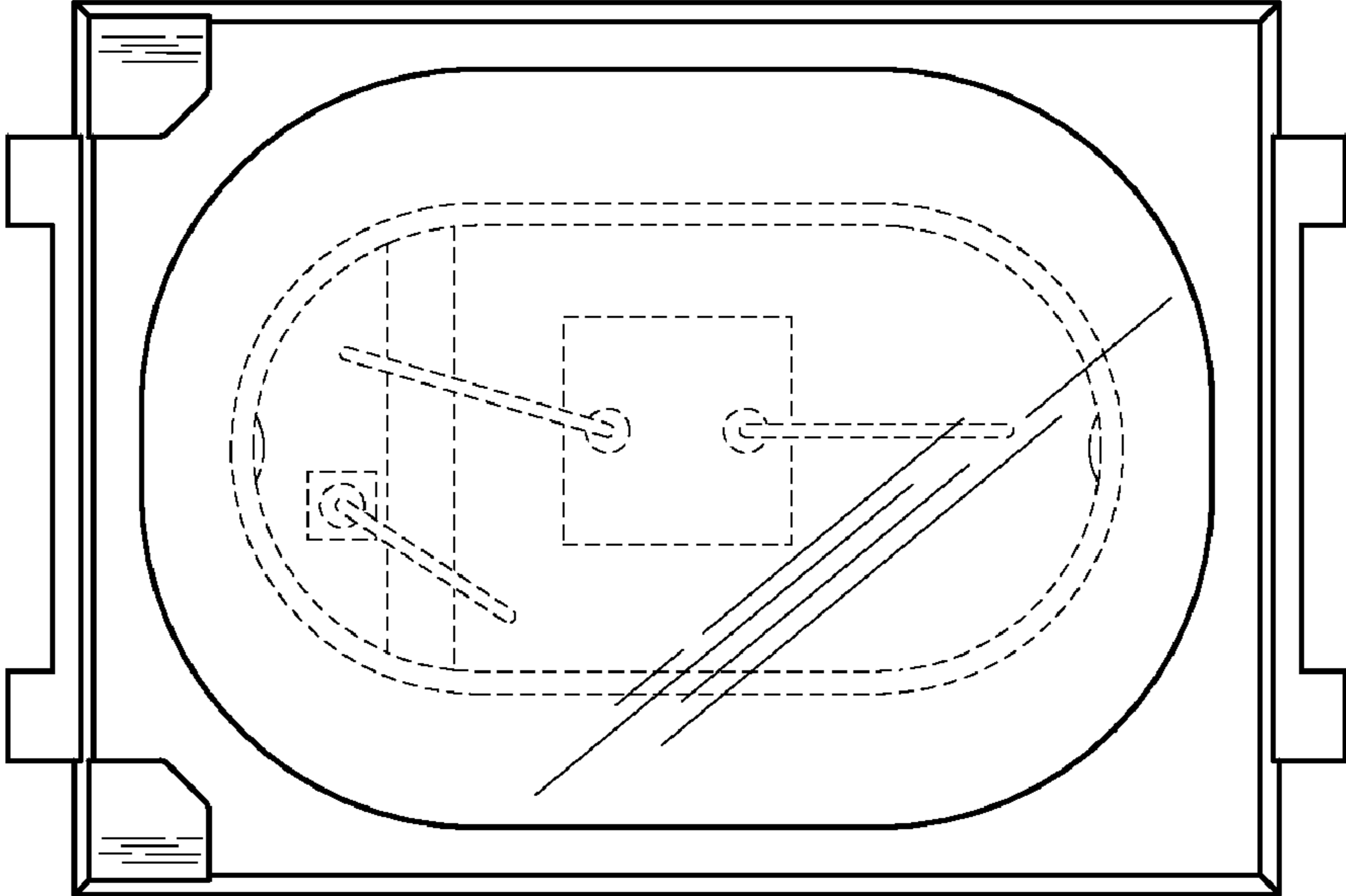


FIG. 8