



US00D630171S

(12) **United States Design Patent**
Hsieh

(10) **Patent No.:** **US D630,171 S**
(45) **Date of Patent:** **** Jan. 4, 2011**

(54) **LIGHT EMITTING DIODE**

(75) Inventor: **Chung-Chuan Hsieh**, Tucheng (TW)

(73) Assignee: **Everlight Electronics Co., Ltd.**,
Tucheng, Taipei County (TW)

(**) Term: **14 Years**

(21) Appl. No.: **29/359,809**

(22) Filed: **Apr. 15, 2010**

(30) **Foreign Application Priority Data**

Oct. 16, 2009 (TW) 98304914
Feb. 4, 2010 (JP) 2010-002669

(51) **LOC (9) Cl.** **13-03**

(52) **U.S. Cl.** **D13/180**

(58) **Field of Classification Search** D13/180;
D26/2; 257/79, 80, 81, 88, 89, 95, 98, 99,
257/100, E33.058; 313/483, 498, 500; 362/555,
362/800

See application file for complete search history.

(56) **References Cited**

U.S. PATENT DOCUMENTS

D364,603 S	11/1995	Tanaka et al.	
D364,604 S	11/1995	Tanaka et al.	
D373,759 S	9/1996	Tanaka et al.	
D512,029 S	11/2005	Kim et al.	
D512,694 S	12/2005	Kim et al.	
D559,432 S	1/2008	Moriyama et al.	
D572,670 S *	7/2008	Ono et al.	D13/180
D578,226 S	10/2008	West et al.	
D578,671 S	10/2008	Kanayama et al.	
D592,162 S *	5/2009	Sugimoto et al.	D13/180
D605,142 S *	12/2009	Chuang	D13/180
D615,051 S *	5/2010	Chen et al.	D13/180
2007/0205419 A1 *	9/2007	Ono et al.	257/79
2008/0054286 A1 *	3/2008	Loh et al.	257/98

2009/0108281 A1* 4/2009 Keller et al. 257/98

FOREIGN PATENT DOCUMENTS

JP	D1284046	10/2006
JP	D1353072	3/2009
TW	D124992	9/2008
TW	D128141	4/2009

OTHER PUBLICATIONS

Taiwan Office Action mailed Jul. 23, 2010.

* cited by examiner

Primary Examiner—Selina Sikder

(74) *Attorney, Agent, or Firm*—Thomas, Kayden,
Horstemeyer & Risley, LLP

(57) **CLAIM**

The ornamental design for a light emitting diode, as shown and described.

DESCRIPTION

FIG. 1 is a perspective view of a light emitting diode showing the claimed design;

FIG. 2 is another perspective view thereof;

FIG. 3 is a front elevational view thereof;

FIG. 4 is a rear elevational view thereof;

FIG. 5 is a left side elevational view thereof;

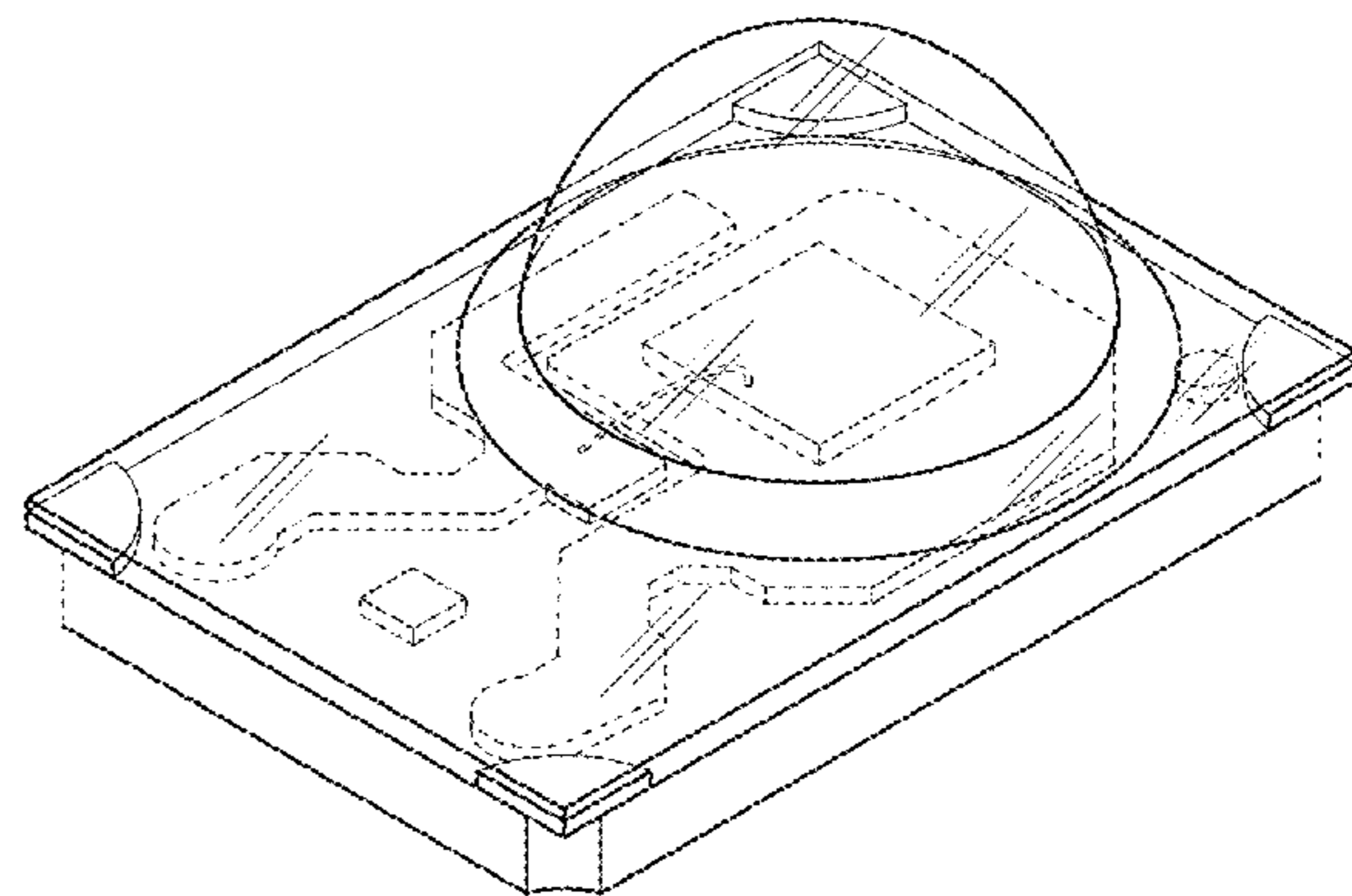
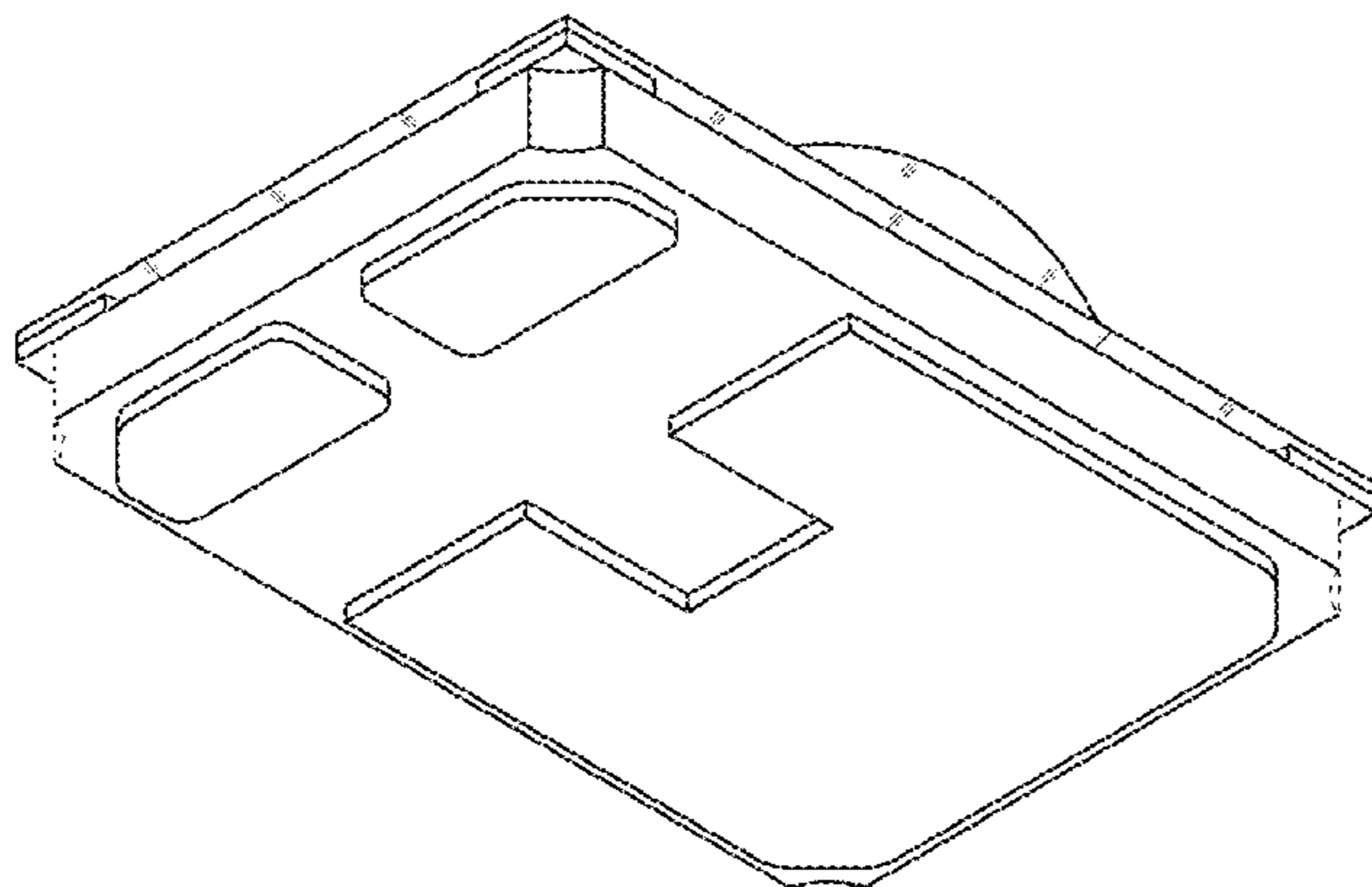
FIG. 6 is a right side elevational view thereof;

FIG. 7 is a top plan view thereof; and,

FIG. 8 is a bottom plan view thereof.

The top layer and the dome-like portion formed thereon are made of light transmissible material which can be opaque (frosted), translucent or transparent. The broken lines are directed to environmental features and are for illustrative purpose only; the broken lines form no part of the claimed design.

1 Claim, 5 Drawing Sheets



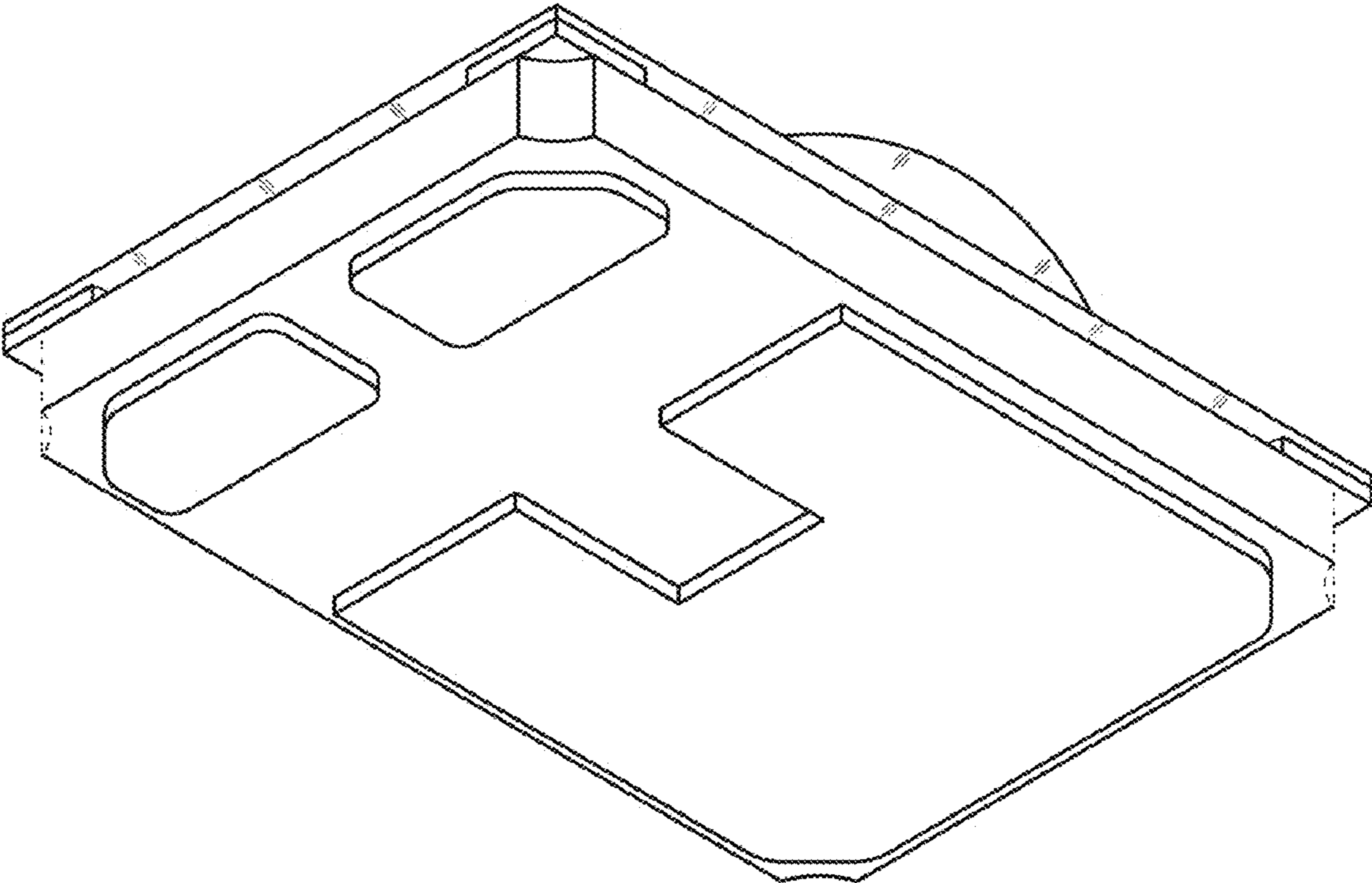


FIG. 1

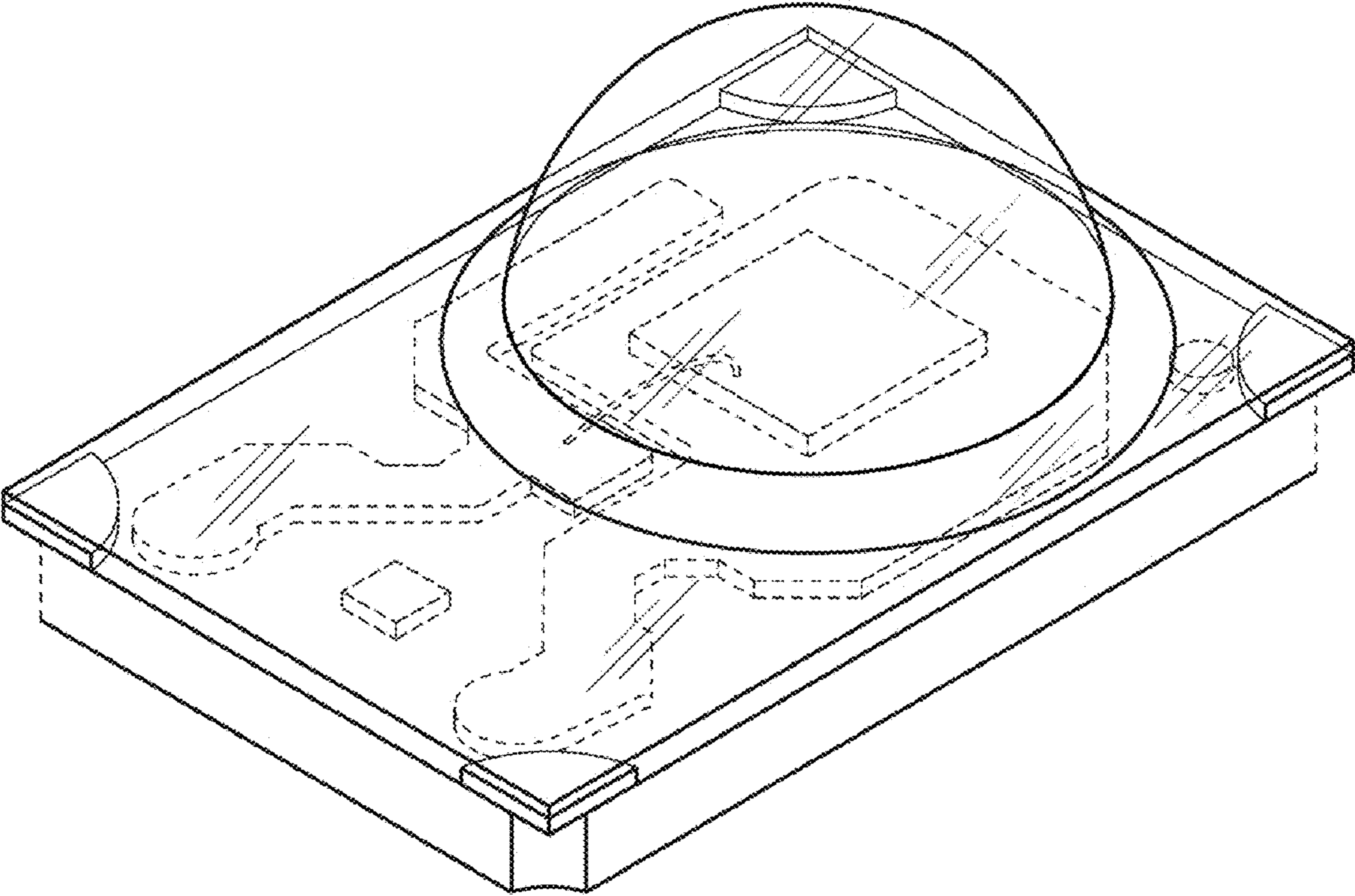


FIG.2

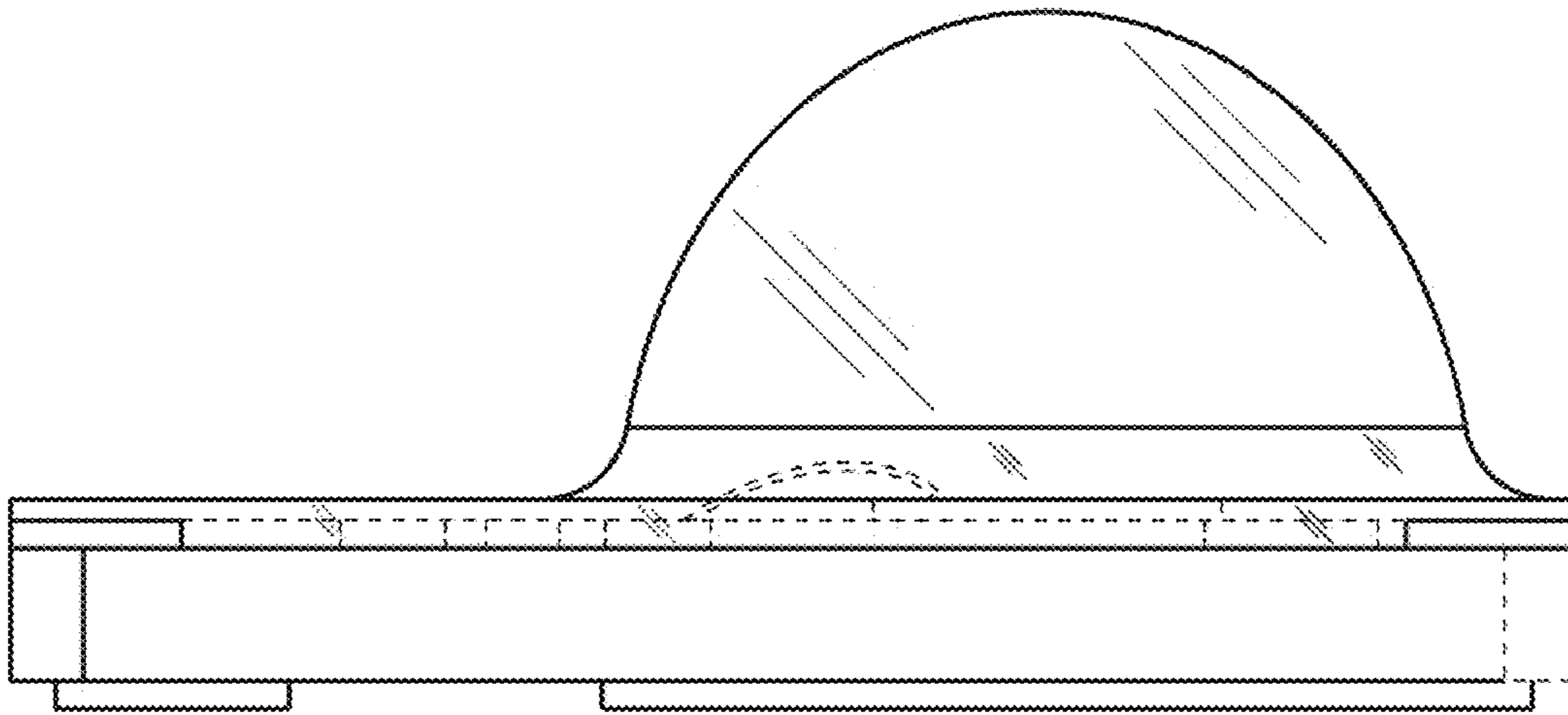


FIG. 3

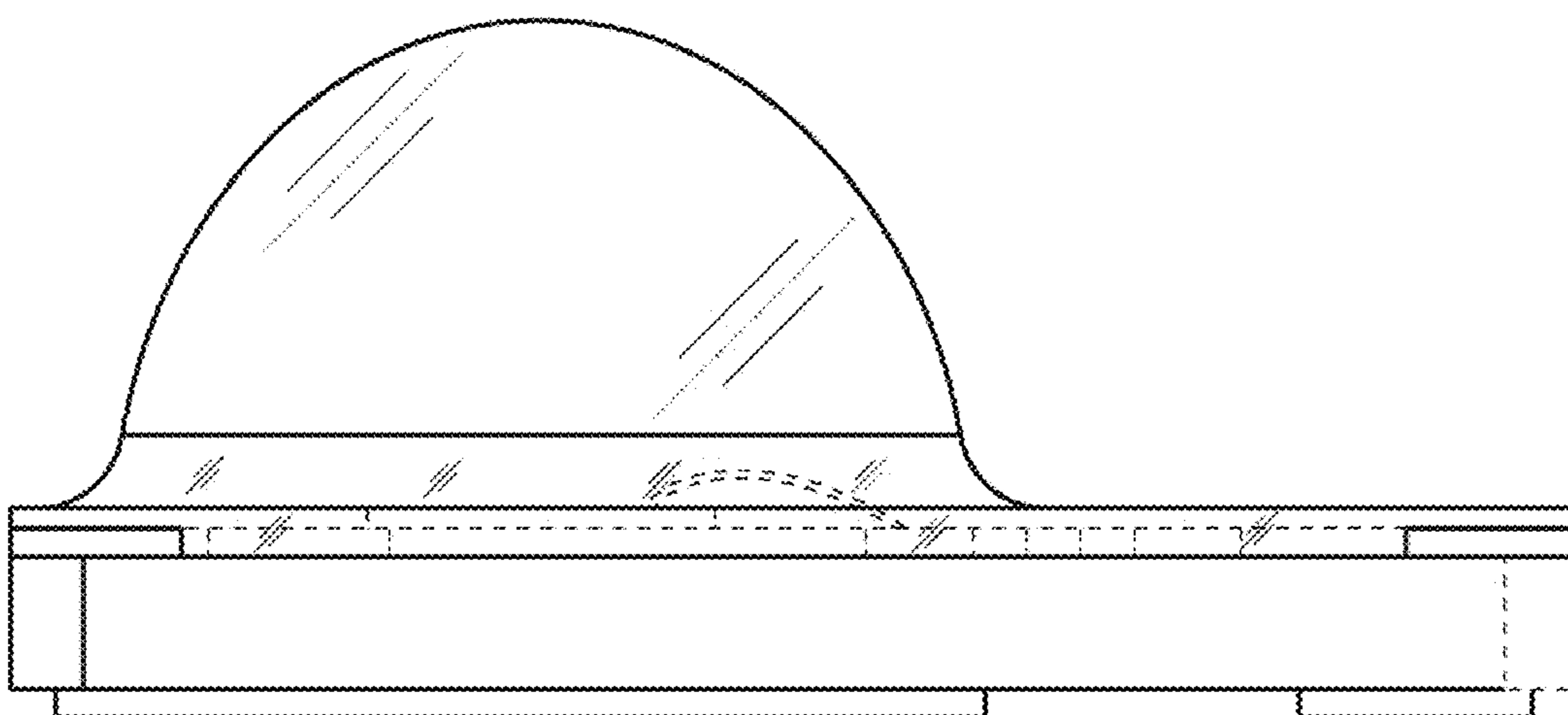


FIG. 4

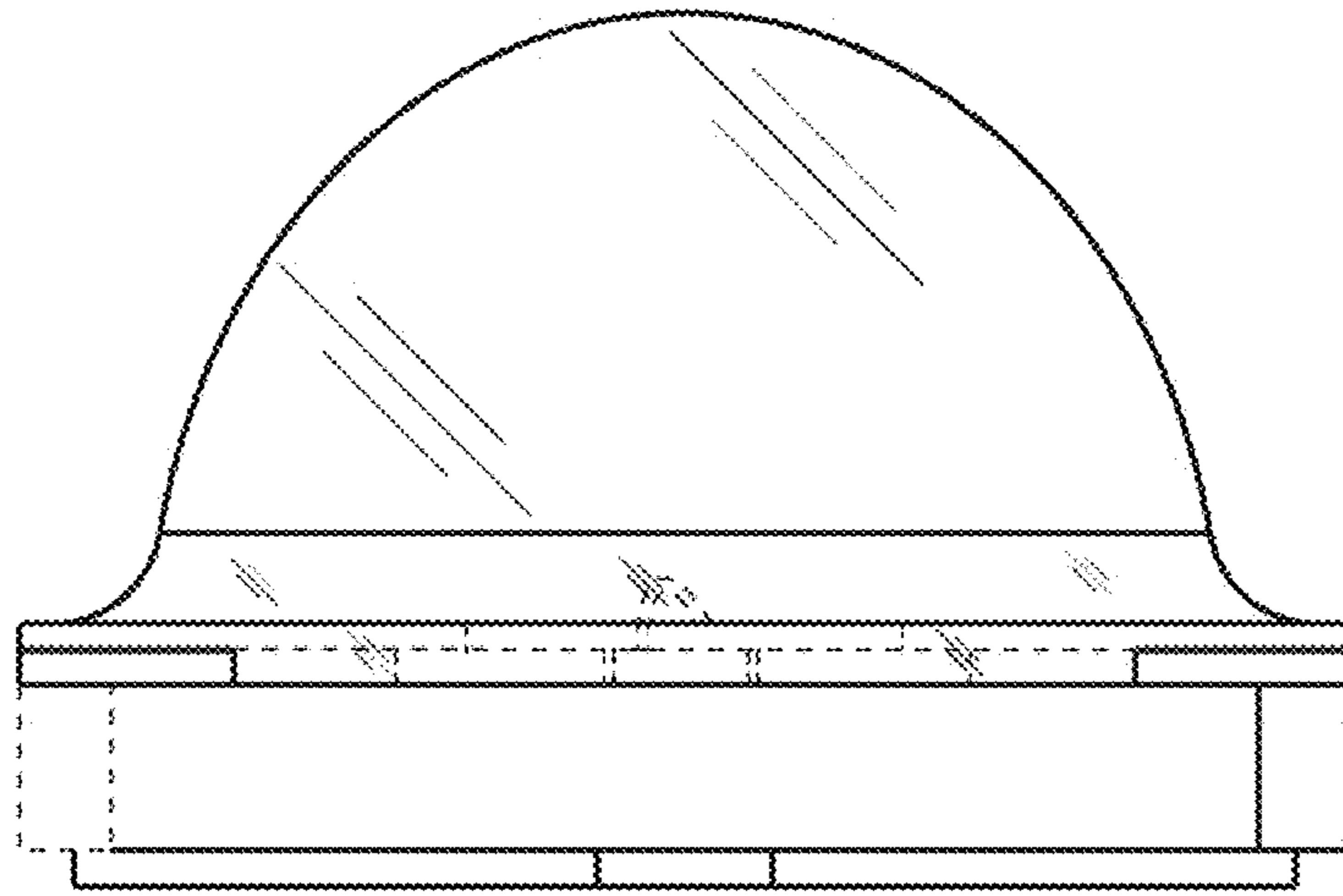


FIG. 5

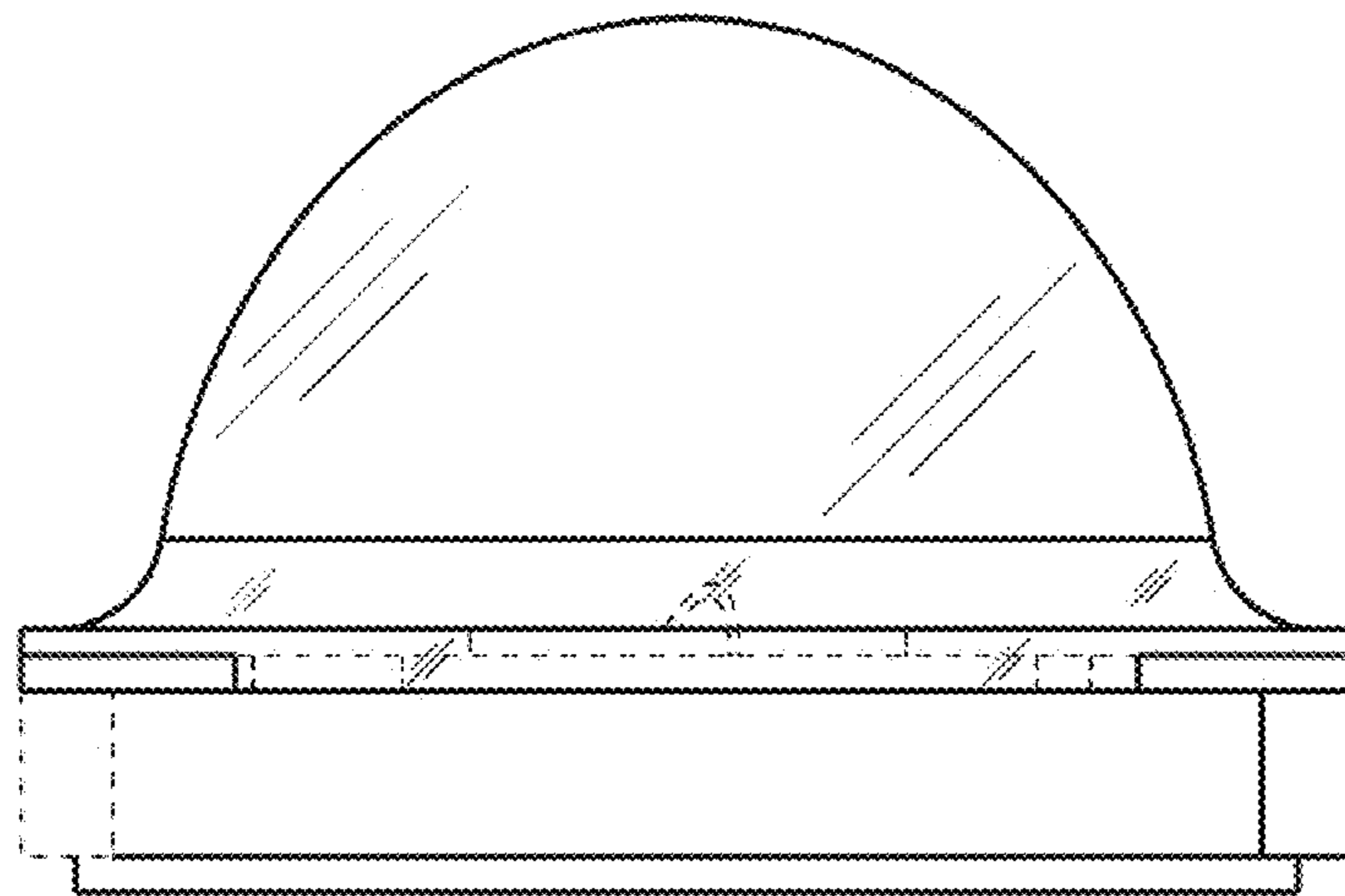


FIG. 6

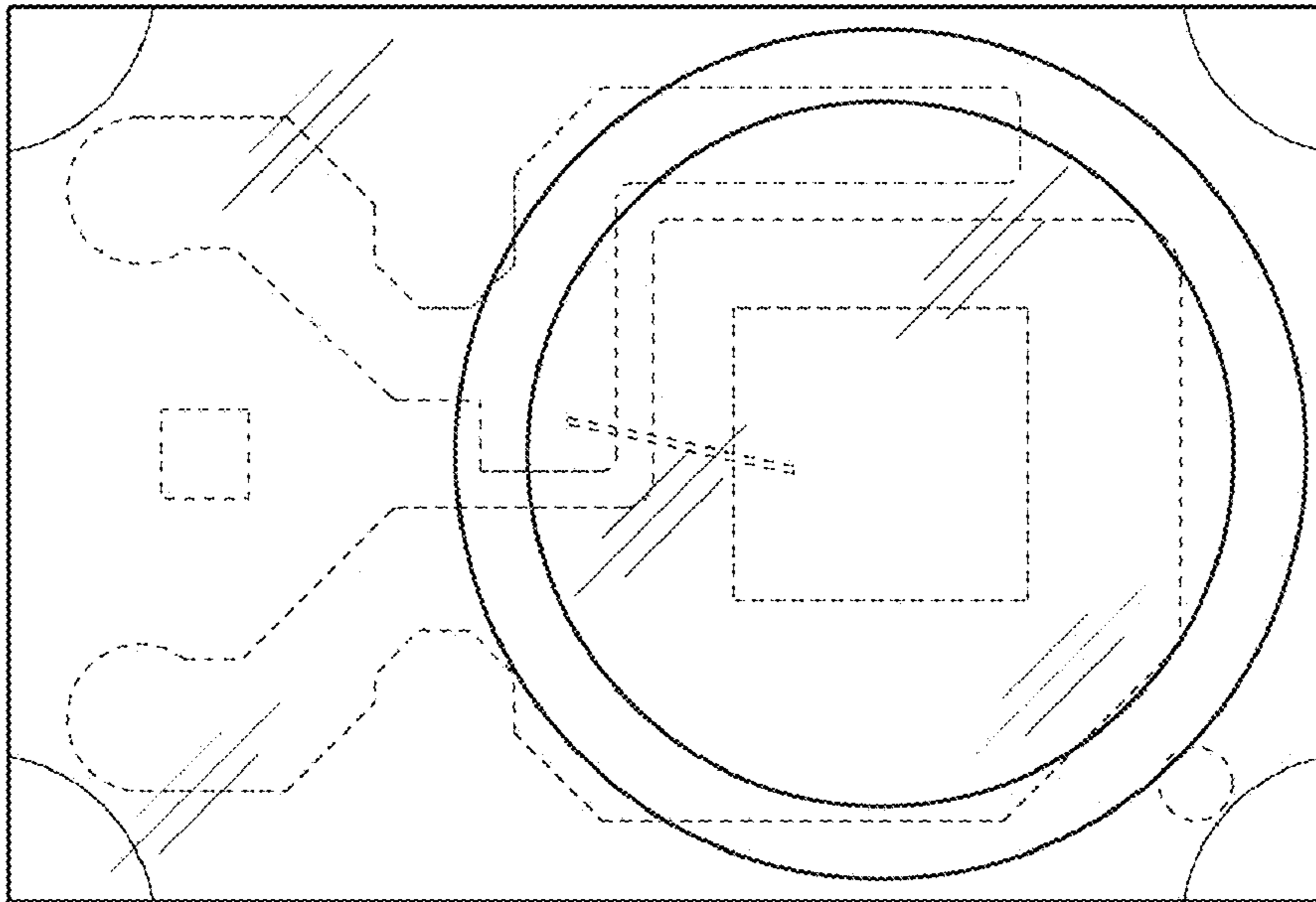


FIG. 7

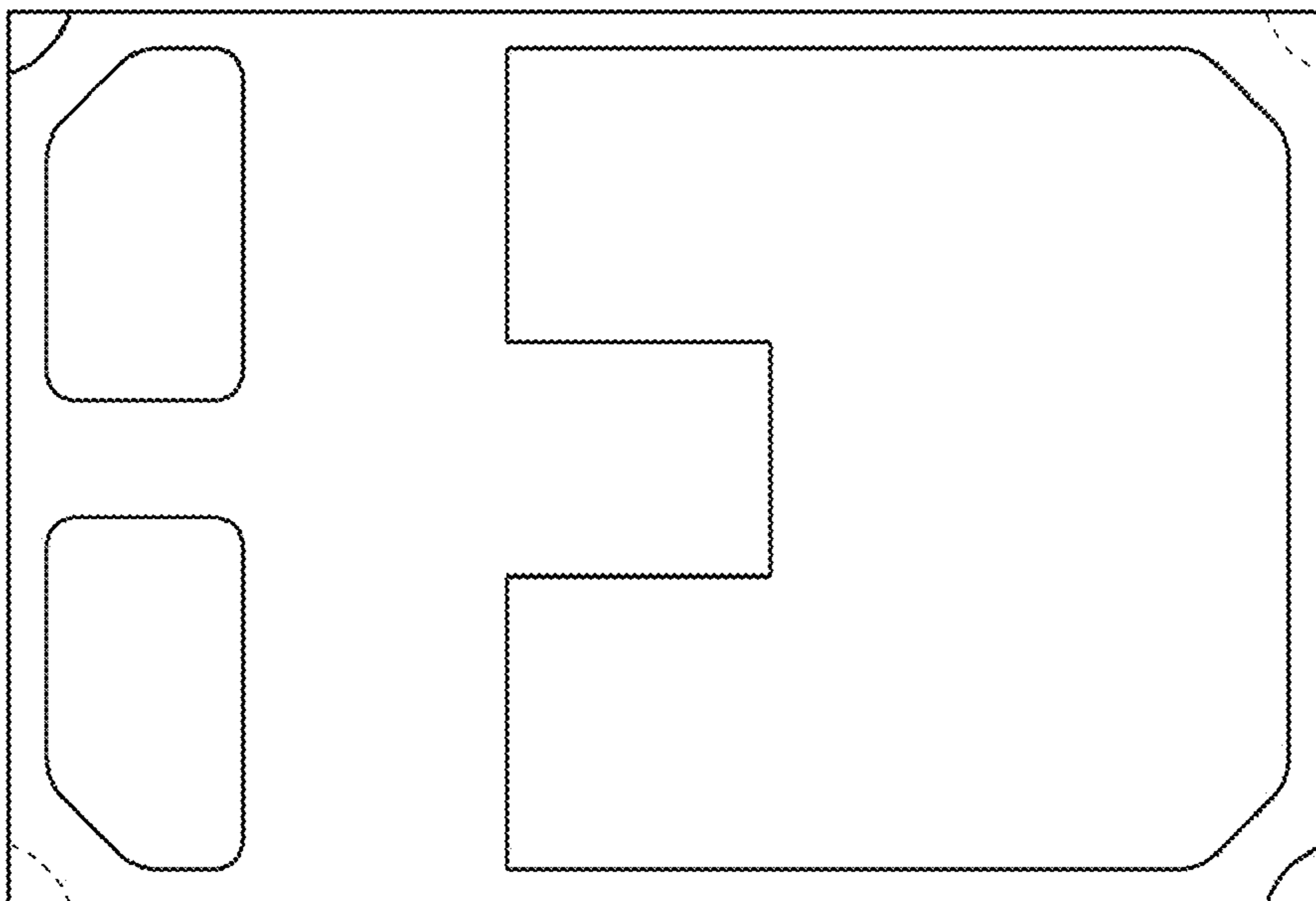


FIG. 8