



US00D630170S

(12) **United States Design Patent**
Lin

(10) **Patent No.:** **US D630,170 S**
(45) **Date of Patent:** **** Jan. 4, 2011**

(54) **LIGHT EMITTING DIODE**

(75) Inventor: **Jung-Chiu Lin**, Tucheng (TW)

(73) Assignee: **Everlight Electronics Co., Ltd.**,
Tucheng, Taipei County (TW)

(**) Term: **14 Years**

(21) Appl. No.: **29/358,694**

(22) Filed: **Mar. 31, 2010**

(51) **LOC (9) Cl.** **13-03**

(52) **U.S. Cl.** **D13/180**

(58) **Field of Classification Search** D13/180;
D26/2; 257/79, 80, 81, 88, 89, 95, 98, 99,
257/100, E33.058; 313/483, 498, 500; 362/555,
362/800

See application file for complete search history.

(56) **References Cited**

U.S. PATENT DOCUMENTS

D489,692 S *	5/2004	Ishida	D13/180
D490,062 S *	5/2004	Ishida	D13/180
D490,386 S *	5/2004	Ishida	D13/180
D493,429 S *	7/2004	Ishida	D13/180
D504,873 S *	5/2005	Ishida	D13/180
D509,487 S *	9/2005	Ishida	D13/180
6,953,952 B2 *	10/2005	Asakawa	257/103
D558,156 S *	12/2007	Yoon et al.	D13/180
D599,305 S *	9/2009	Kim et al.	D13/180
D608,739 S *	1/2010	Hussell	D13/180

* cited by examiner

Primary Examiner—Cathron C Brooks

(74) *Attorney, Agent, or Firm*—Thomas, Kayden,
Horstemeyer & Risley, LLP

(57) **CLAIM**

The ornamental design for a light emitting diode, as shown and described.

DESCRIPTION

FIG. 1 is a perspective view of a light emitting diode showing the claimed design;

FIG. 2 is another perspective view thereof;

FIG. 3 is a front elevational view thereof;

FIG. 4 is a rear side elevational view thereof;

FIG. 5 is a left side elevational view thereof; the right elevational view being a mirror image of the left elevational view;

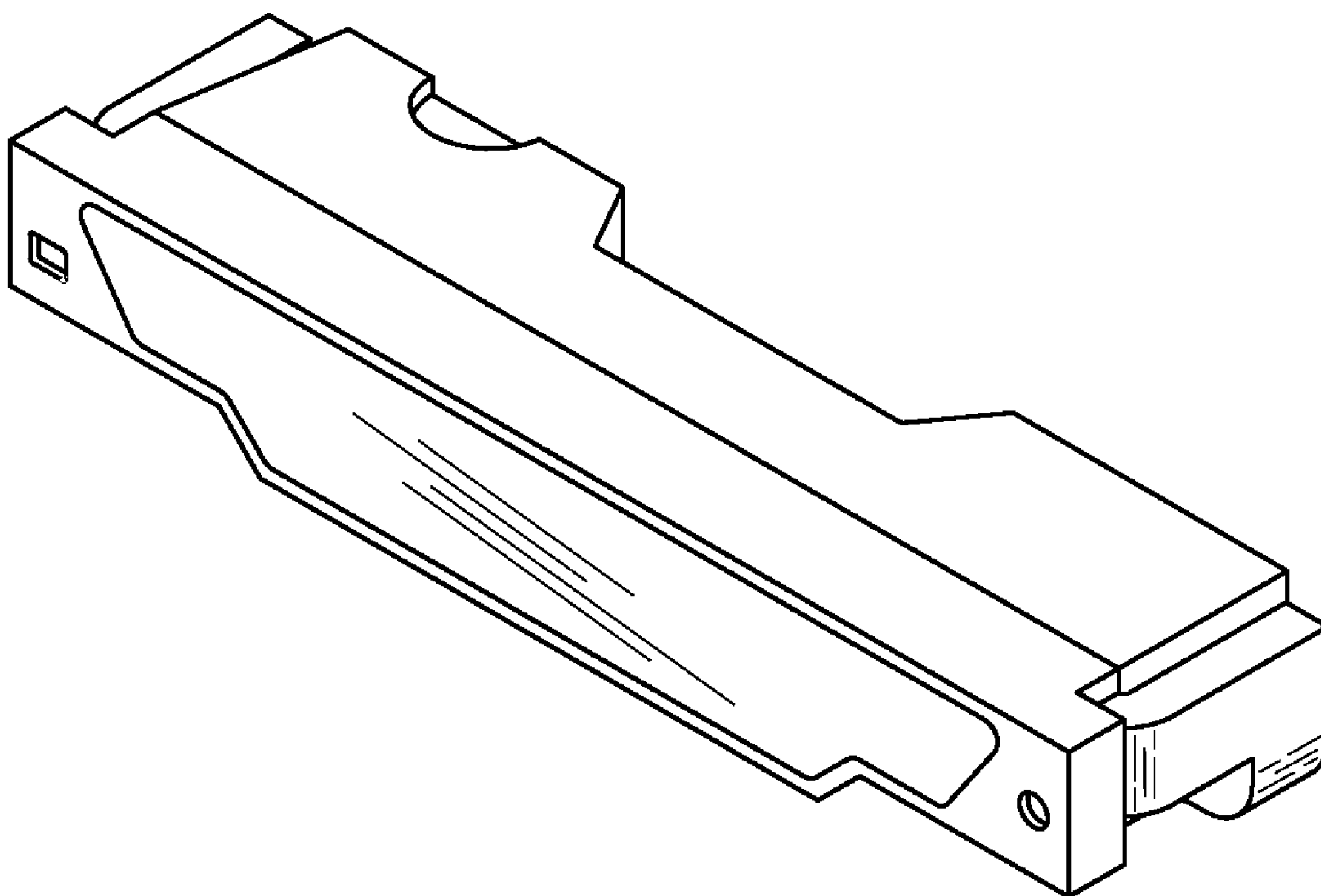
FIG. 6 is a top plan view thereof;

FIG. 7 is a bottom plan view thereof; and,

FIG. 8 is a reference view showing the visible inner structure through the light transmissible portion.

The light transmissible portion of the design is made of light transmissible material. The broken lines are directed to environment and are for illustrative purpose only; the broken lines form no part of the claimed design.

1 Claim, 5 Drawing Sheets



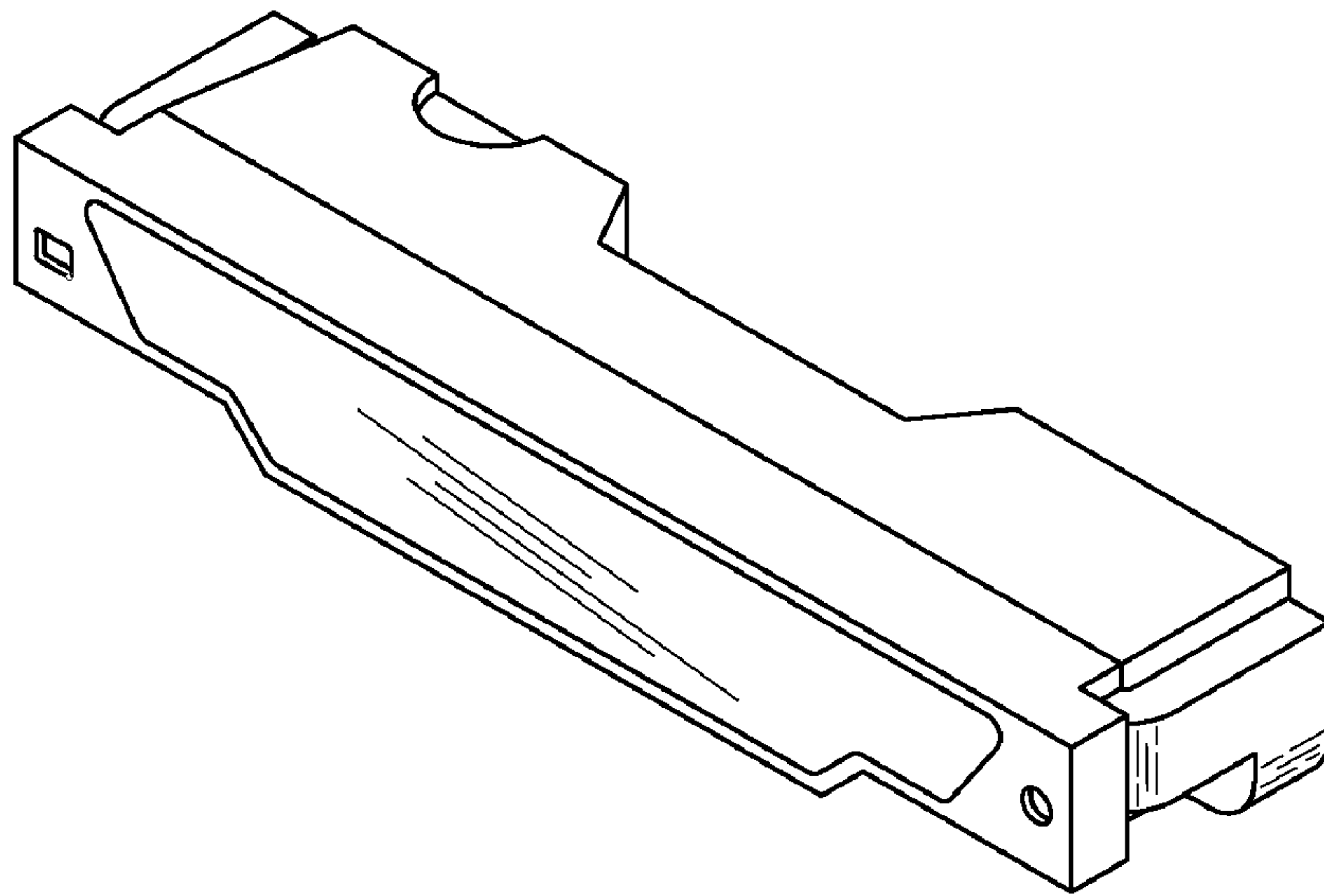


FIG.1

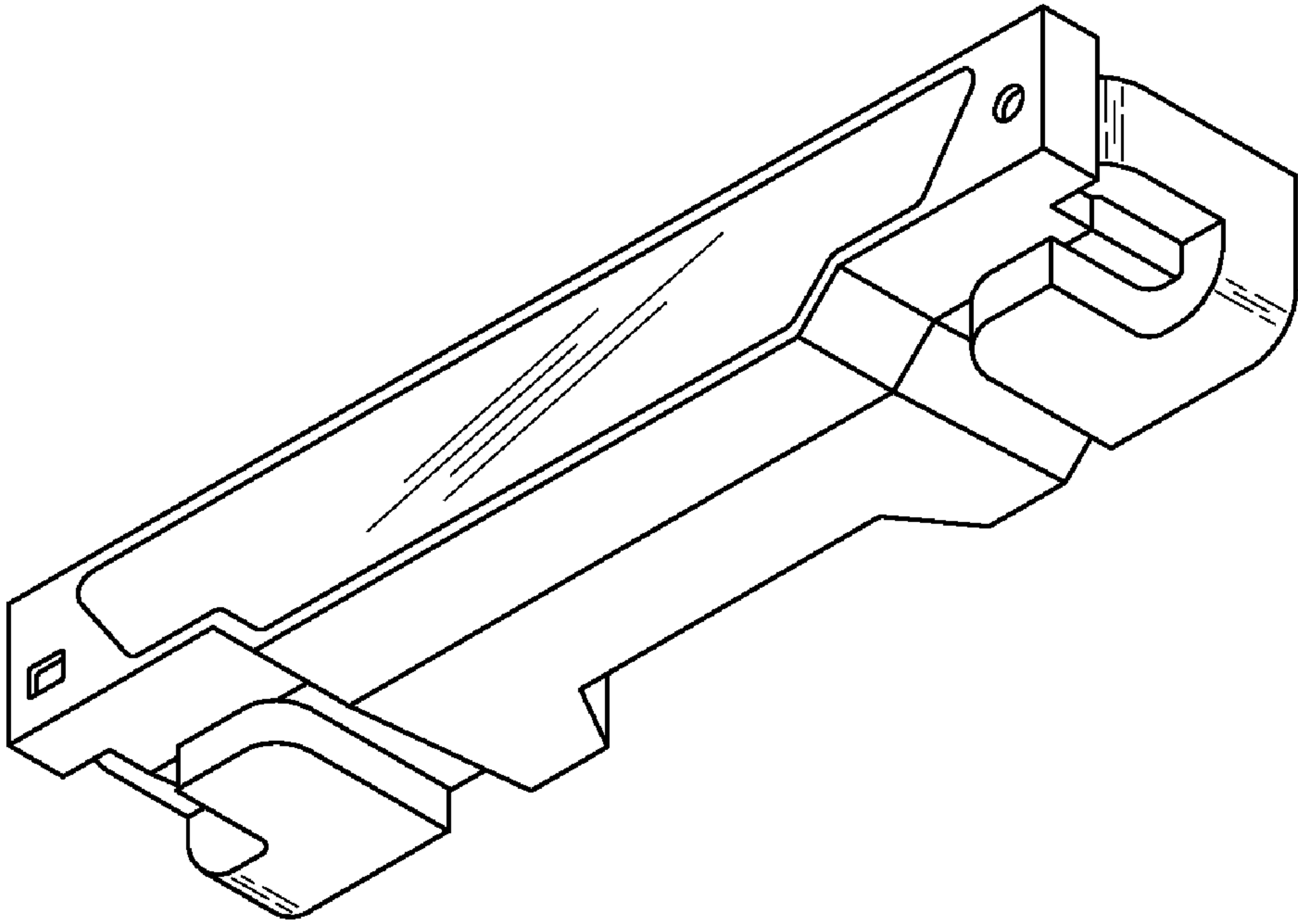


FIG.2

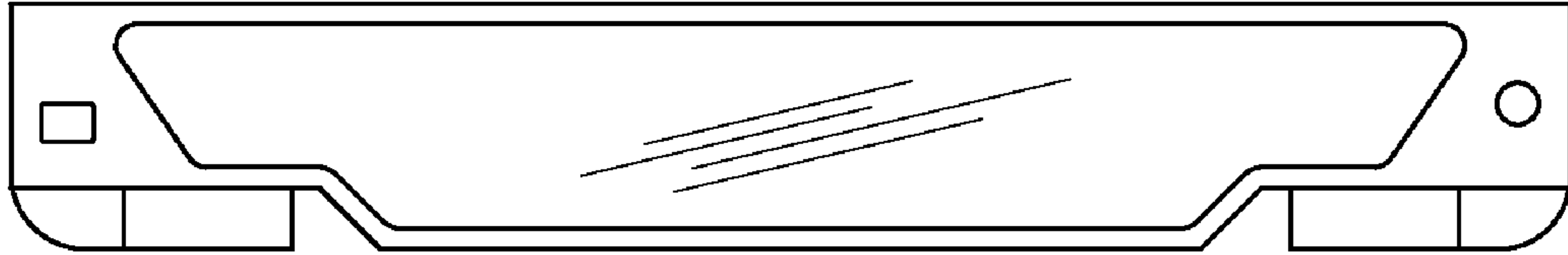


FIG.3

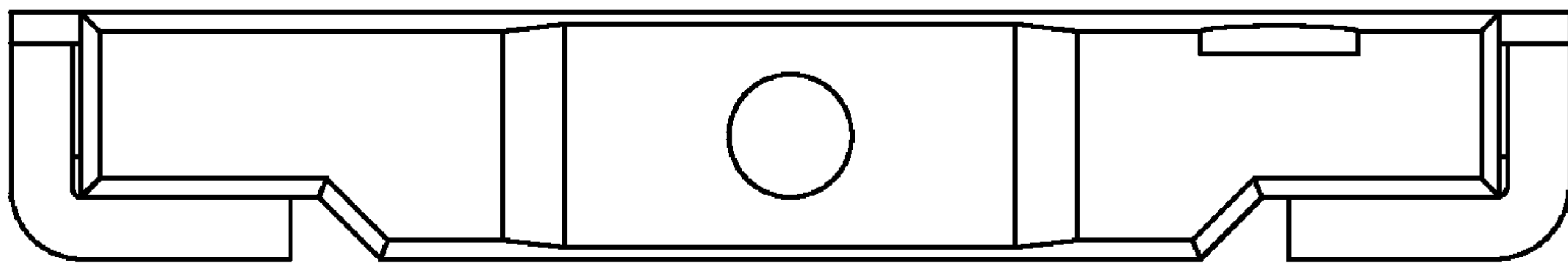


FIG.4

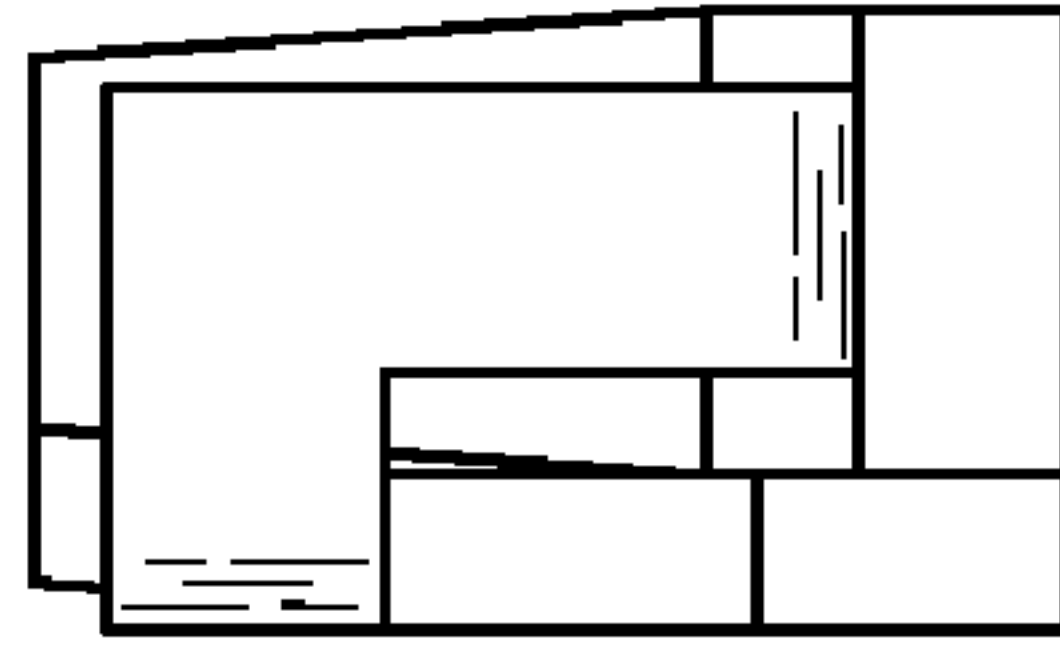


FIG. 5

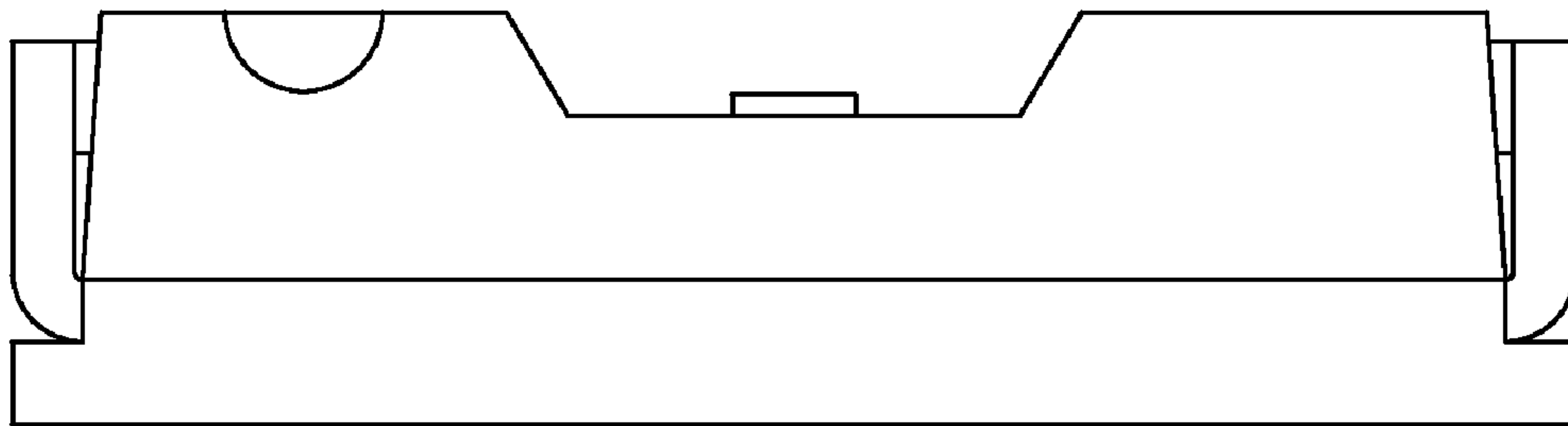


FIG. 6

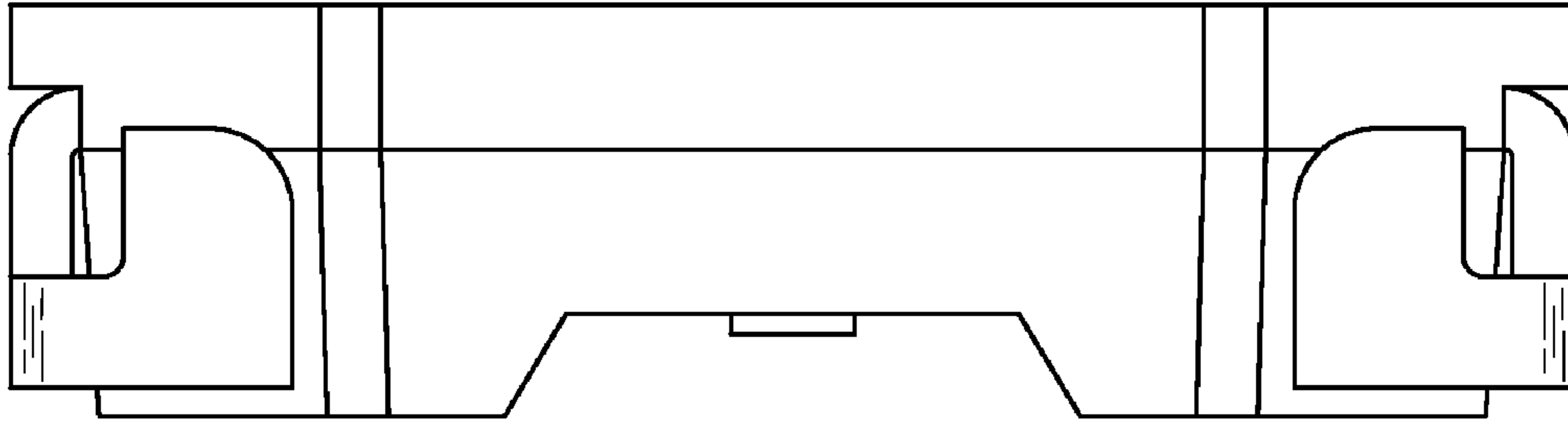


FIG. 7

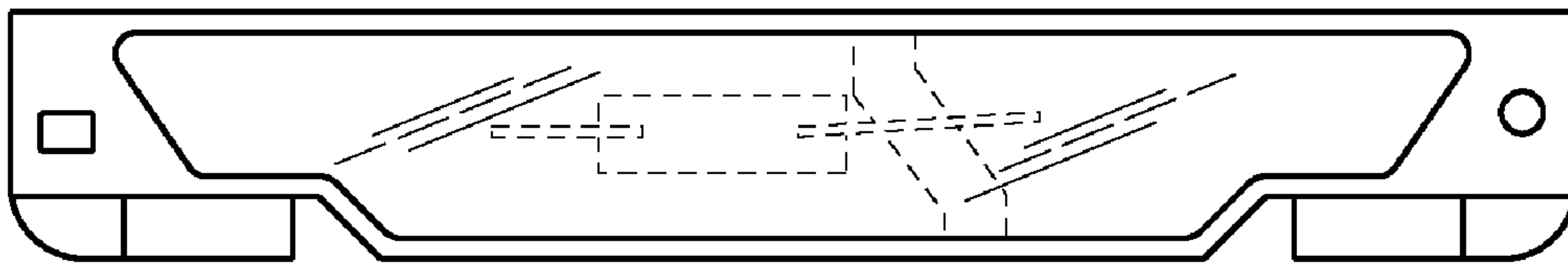


FIG. 8