



US00D630169S

(12) **United States Design Patent**
Nakai et al.

(10) **Patent No.:** **US D630,169 S**

(45) **Date of Patent:** **** *Jan. 4, 2011**

(54) **REMOTE CONTROLLER FOR AIR-CONDITIONER**

(76) Inventors: **So Nakai**, c/o Mitsubishi Electric Corporation, 7-3, Marunouchi 2-chome, Chiyoda-ku, Tokyo 100-8310 (JP); **Azumi Suzuki**, c/o Mitsubishi Electric Corporation, 7-3, Marunouchi 2-chome, Chiyoda-ku, Tokyo 100-8310 (JP)

(*) Notice: This patent is subject to a terminal disclaimer.

(**) Term: **14 Years**

(21) Appl. No.: **29/353,733**

(22) Filed: **Jan. 13, 2010**

(30) **Foreign Application Priority Data**

Jul. 27, 2009 (JP) 2009-017035

(51) **LOC (9) Cl.** **14-03**

(52) **U.S. Cl.** **D13/168**

(58) **Field of Classification Search** D13/168;
D10/49, 50; D14/336, 341; 340/825.22,
340/825.24, 825.25, 825.31, 825.36, 825.69,
340/825.72; 341/176; 455/352; 345/156
See application file for complete search history.

(56) **References Cited**

U.S. PATENT DOCUMENTS

5,720,176 A * 2/1998 Manson et al. 62/89
D416,910 S * 11/1999 Vasquez D14/218
D449,586 S * 10/2001 Aketa et al. D13/168

D493,148 S * 7/2004 Shibata et al. D13/168
D501,463 S * 2/2005 Hisatsune D14/218
D541,225 S * 4/2007 Katsuyama et al. D13/168
D556,700 S * 12/2007 Igarashi D13/168
D577,616 S * 9/2008 Edgar D10/50
D582,802 S * 12/2008 Branson et al. D10/50
D596,964 S * 7/2009 Wang et al. D10/50

* cited by examiner

Primary Examiner—Selina Sikder

(74) *Attorney, Agent, or Firm*—Sughrue Mion, PLLC

(57) **CLAIM**

The ornamental design for a remote controller for air-conditioner, as shown and described.

DESCRIPTION

FIG. 1 is a front, top and right side perspective view of a remote controller for air-conditioner, showing my new design;

FIG. 2 is a front elevational view thereof;

FIG. 3 is a rear elevational view thereof;

FIG. 4 is a top plan view thereof;

FIG. 5 is a bottom plan view thereof;

FIG. 6 is a left side elevational view thereof;

FIG. 7 is a right side elevational view thereof;

FIG. 8 is an enlarged cross-sectional view thereof; taken along line 8—8 of FIG. 2, with the internal system omitted; and,

FIG. 9 is an enlarged cross-sectional view thereof; taken along line 9—9 of FIG. 2, with the internal system omitted.

1 Claim, 4 Drawing Sheets

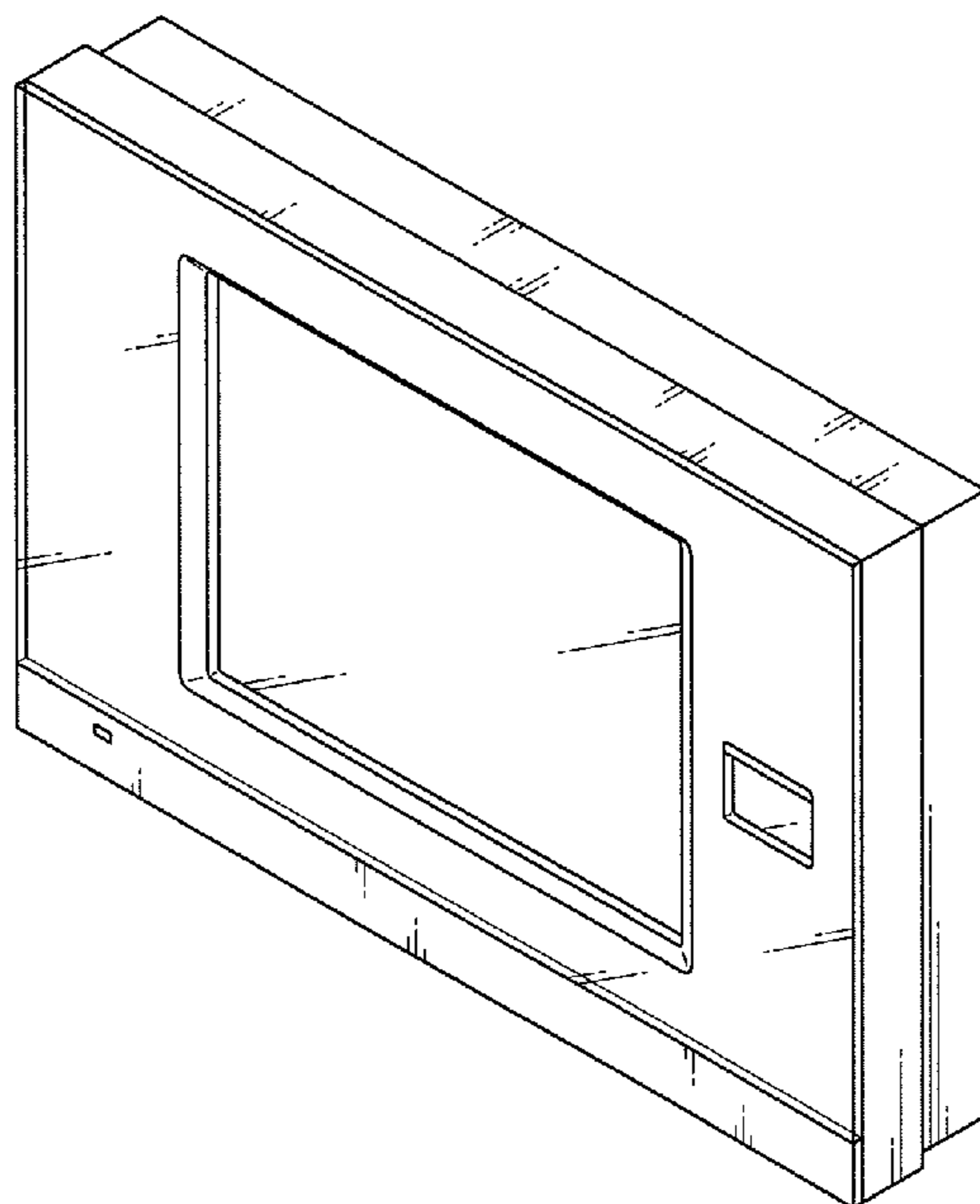


FIG. 1

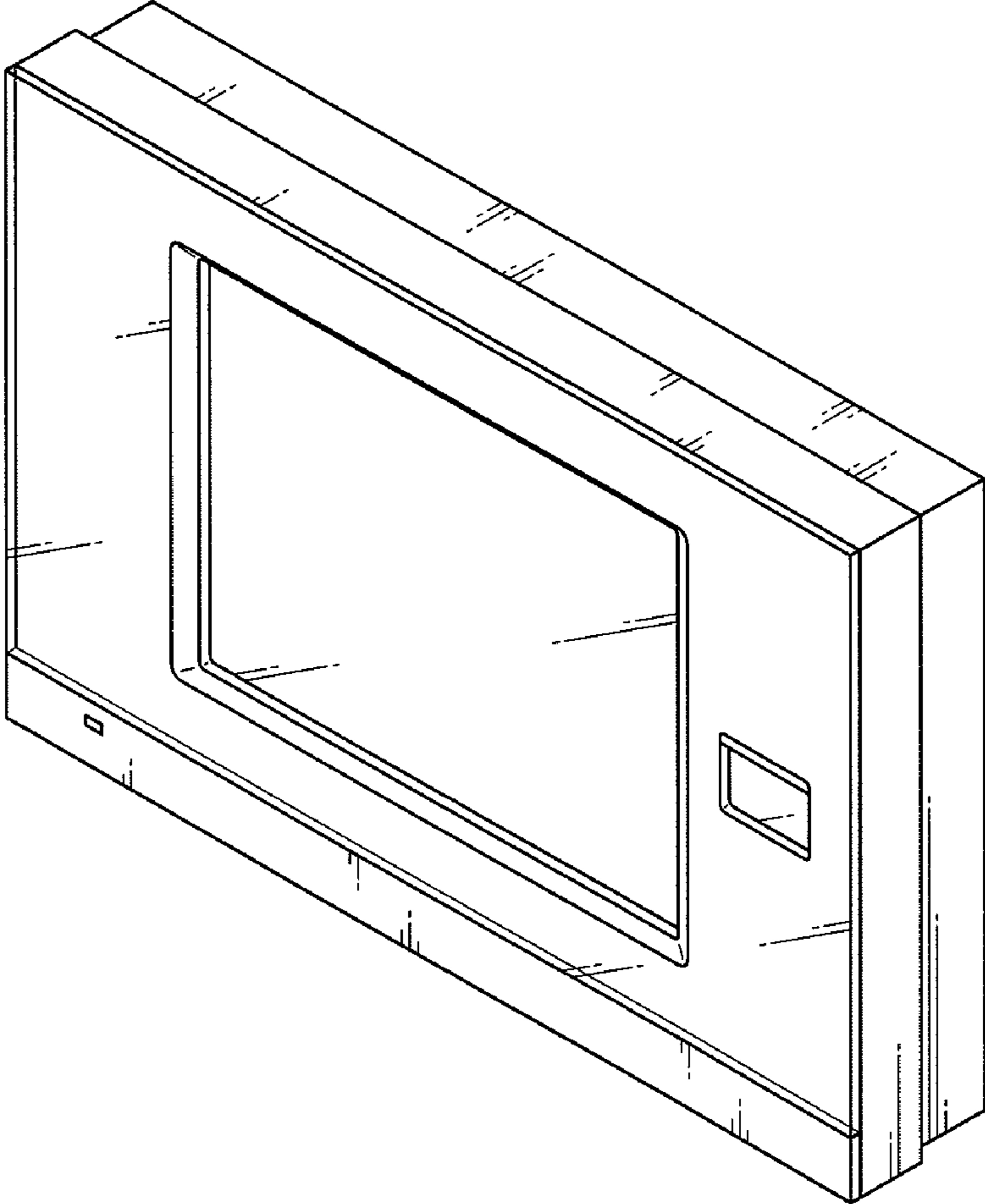


FIG.2

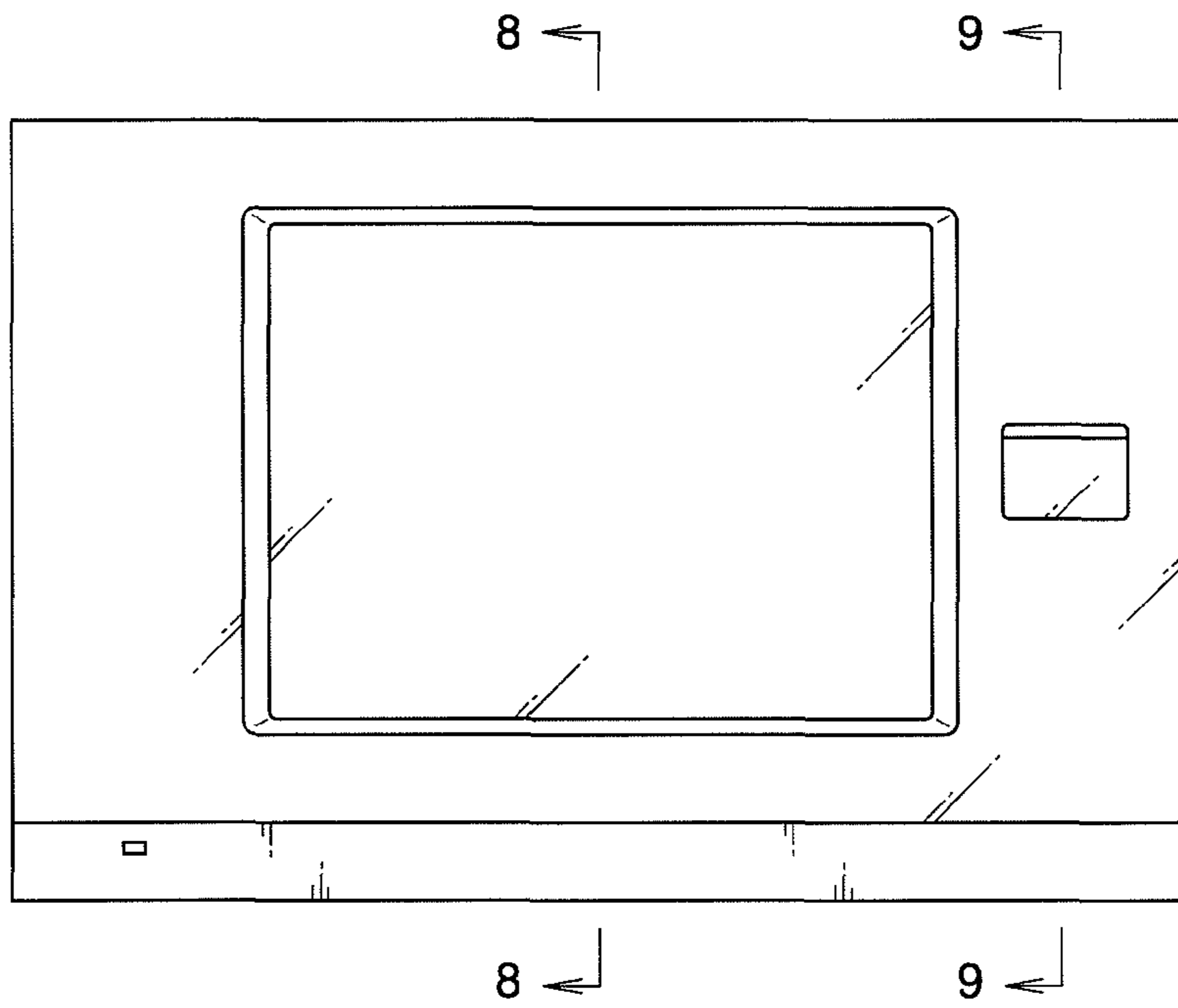


FIG.3

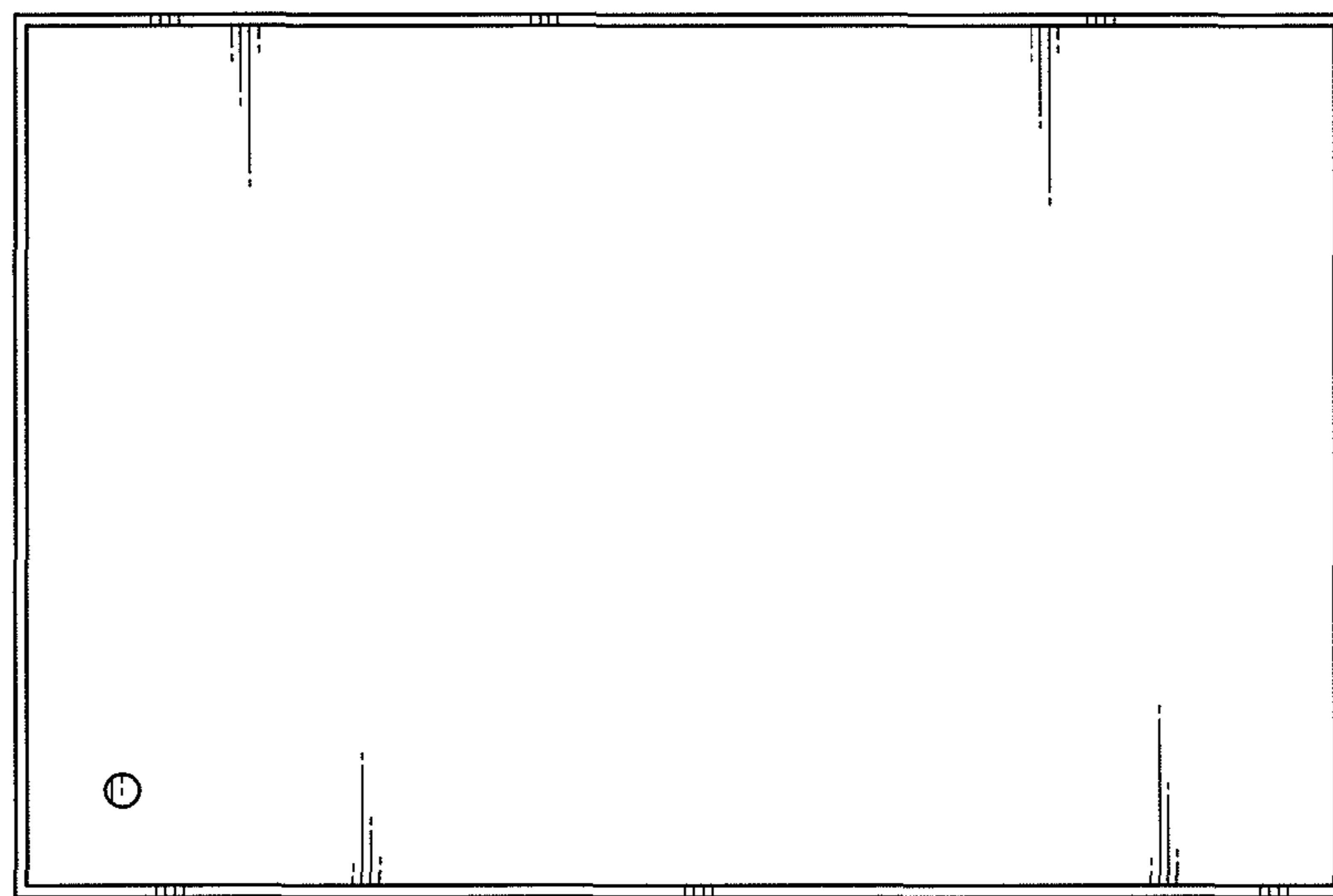


FIG. 4

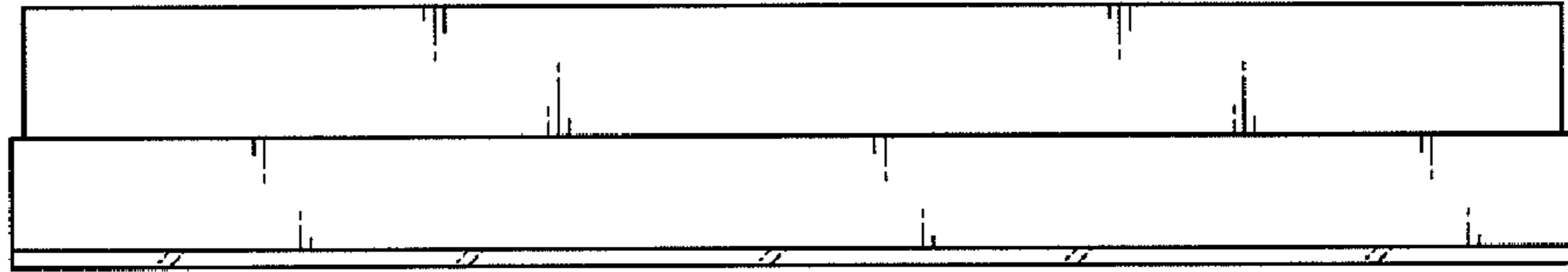


FIG. 5

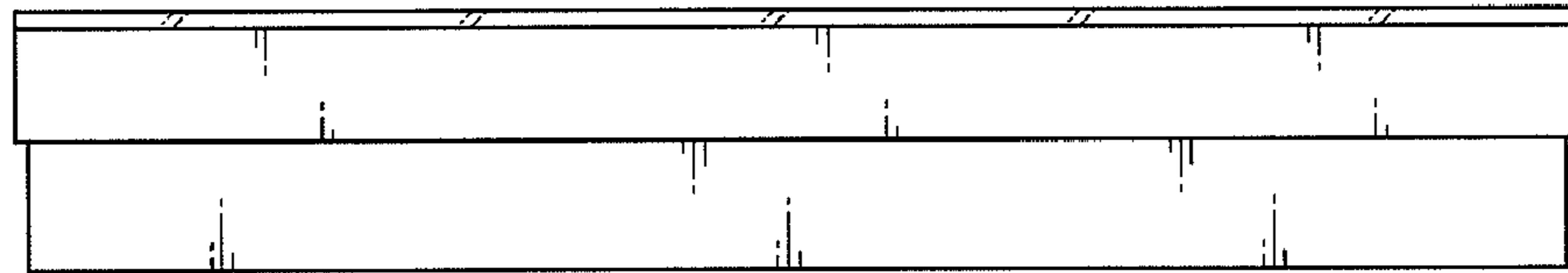


FIG. 6

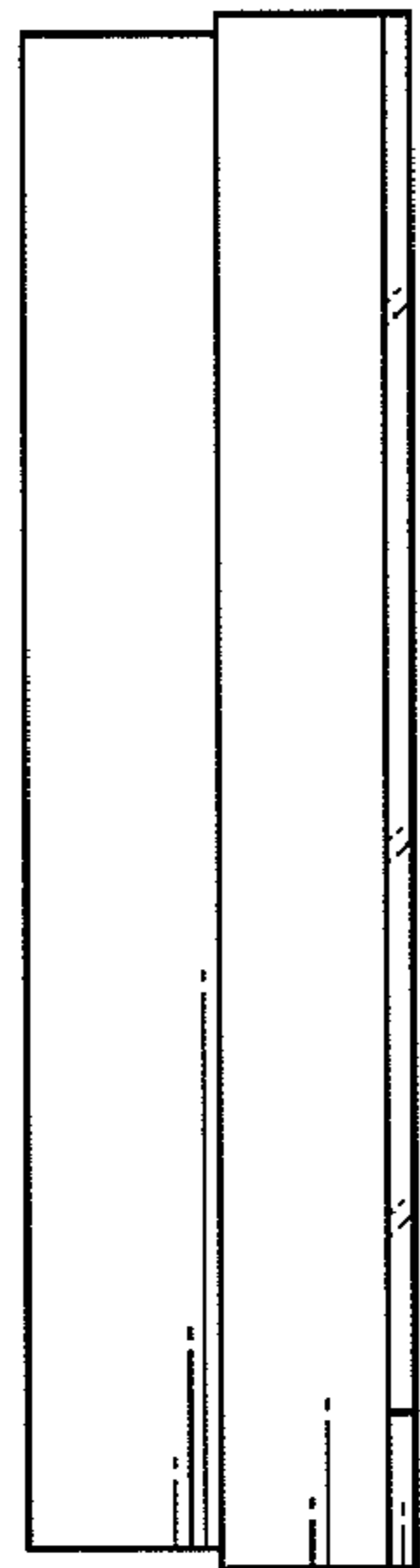


FIG. 7

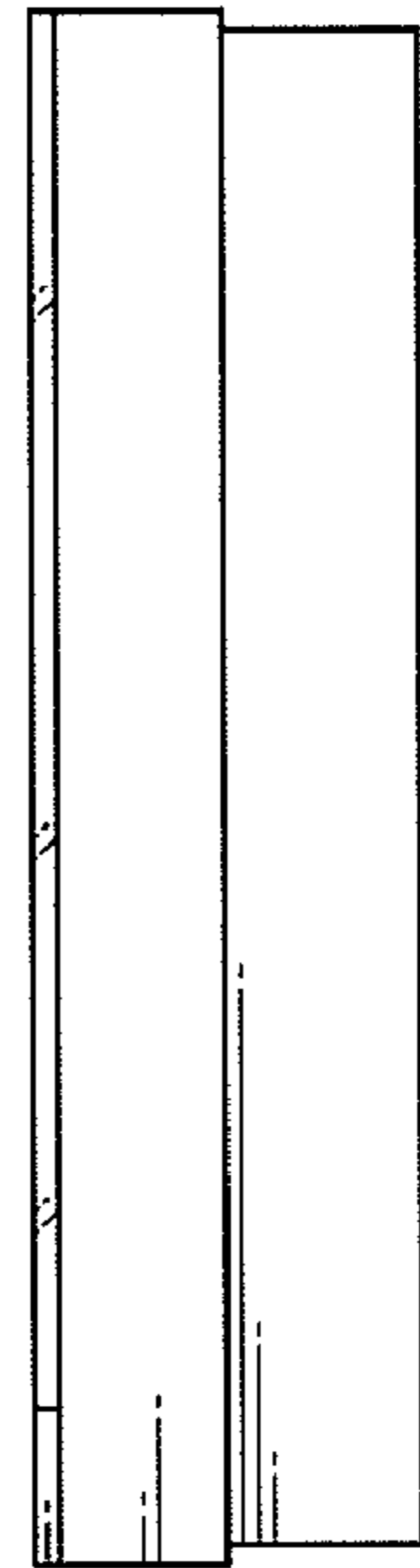


FIG. 8

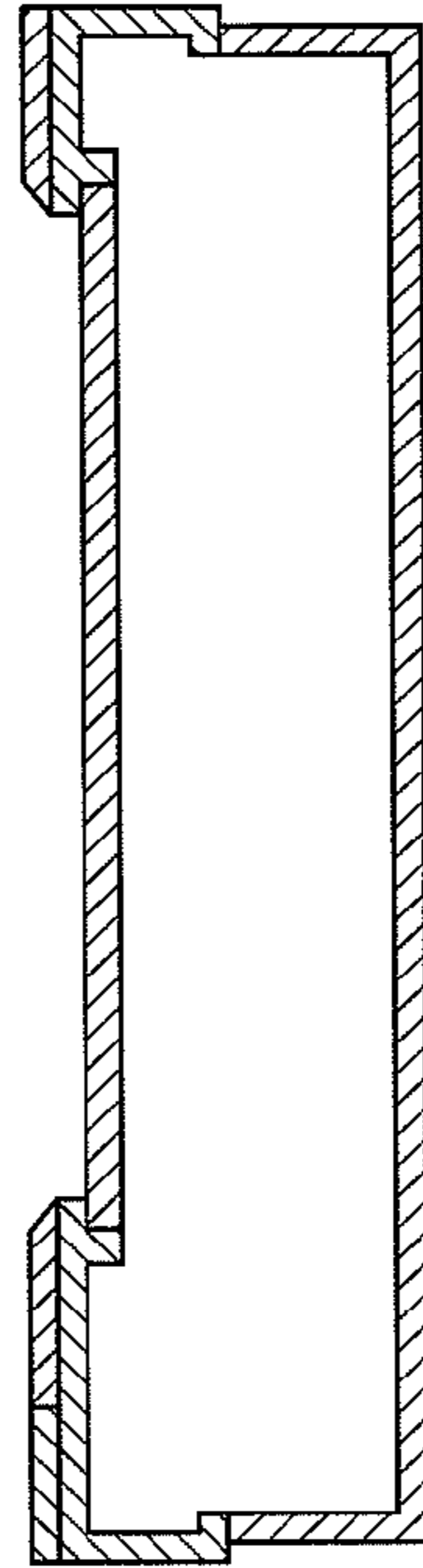


FIG. 9

