



US00D630166S

(12) **United States Design Patent**
Lindsey et al.

(10) **Patent No.:** **US D630,166 S**
(45) **Date of Patent:** **** Jan. 4, 2011**

(54) **CONNECTOR**

2009/0264023 A1* 10/2009 Yi et al. 439/709

(75) Inventors: **Scott E. Lindsey**, Brentwood, CA (US);
Jovan Jovanovic, Santa Clara, CA (US);
David S. Hendrickson, Los Gatos, CA (US)

* cited by examiner

Primary Examiner—Daniel D Bui
(74) *Attorney, Agent, or Firm*—Stephen M. De Klerk; SNR Denton US LLP

(73) Assignee: **AERH Test Systems**, Fremont, CA (US)

(57) **CLAIM**

(**) Term: **14 Years**

The ornamental design for a connector, as shown and described.

(21) Appl. No.: **29/327,294**

(22) Filed: **Nov. 3, 2008**

DESCRIPTION

(51) **LOC (9) Cl.** **13-03**

FIG. 1 is a perspective view of a connector showing our new design;

(52) **U.S. Cl.** **D13/154**

FIG. 2 is a front view thereof;

(58) **Field of Classification Search** D13/133,

FIG. 3 is a back view thereof;

D13/147, 154, 184; 174/16.3; 257/697,

FIG. 4 is a top plan view thereof;

257/727; 439/376, 381, 892, 894, 942

FIG. 5 is a bottom plan view thereof;

See application file for complete search history.

FIG. 6 is a left end view thereof; and,

(56) **References Cited**

FIG. 7 is a right end view thereof.

U.S. PATENT DOCUMENTS

The broken line portion of the figure drawings is included to show unclaimed subject matter only and forms no part of the claimed design.

3,777,223 A * 12/1973 Chandler et al. 361/823

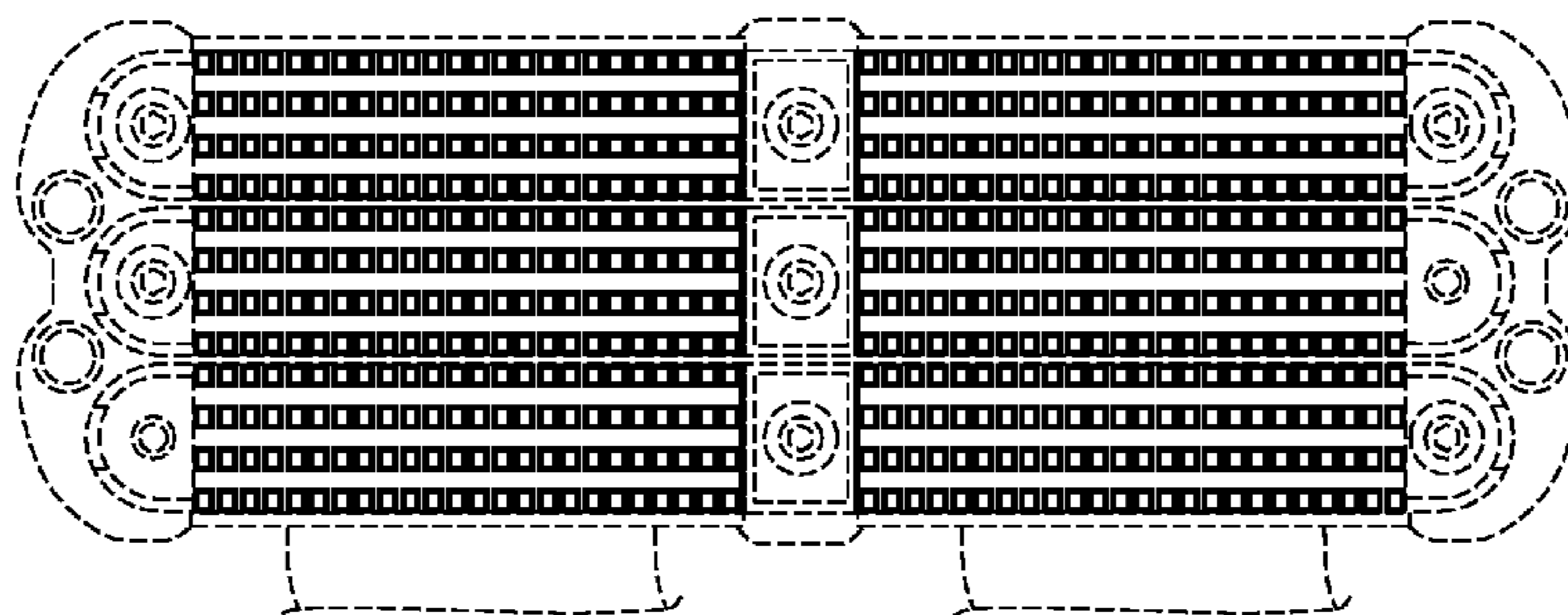
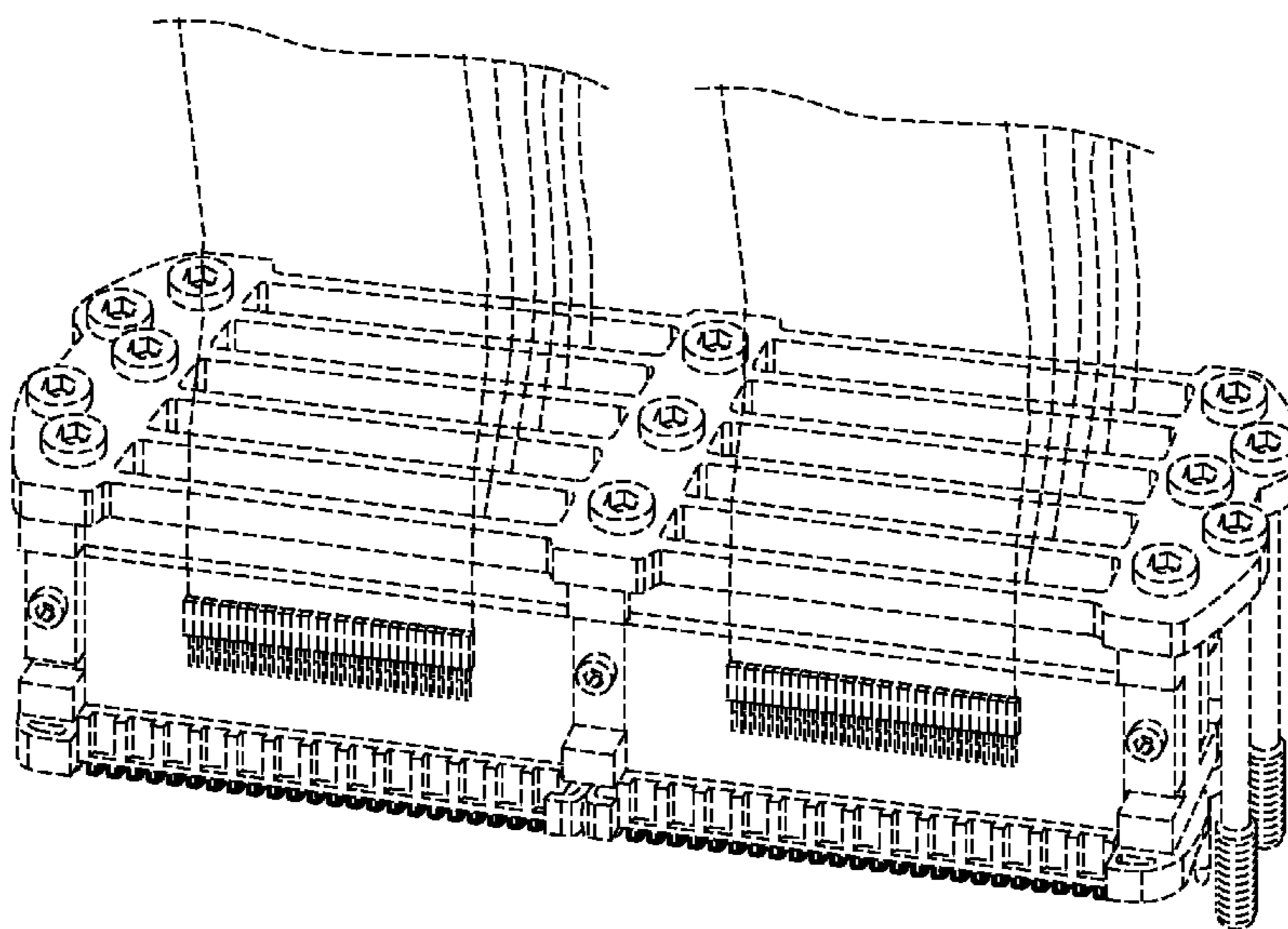
D281,415 S * 11/1985 Nusse D13/147

D530,679 S * 10/2006 Li et al. D13/149

D611,004 S * 3/2010 Nutting et al. D13/162

D611,420 S * 3/2010 Takada et al. D13/147

1 Claim, 4 Drawing Sheets



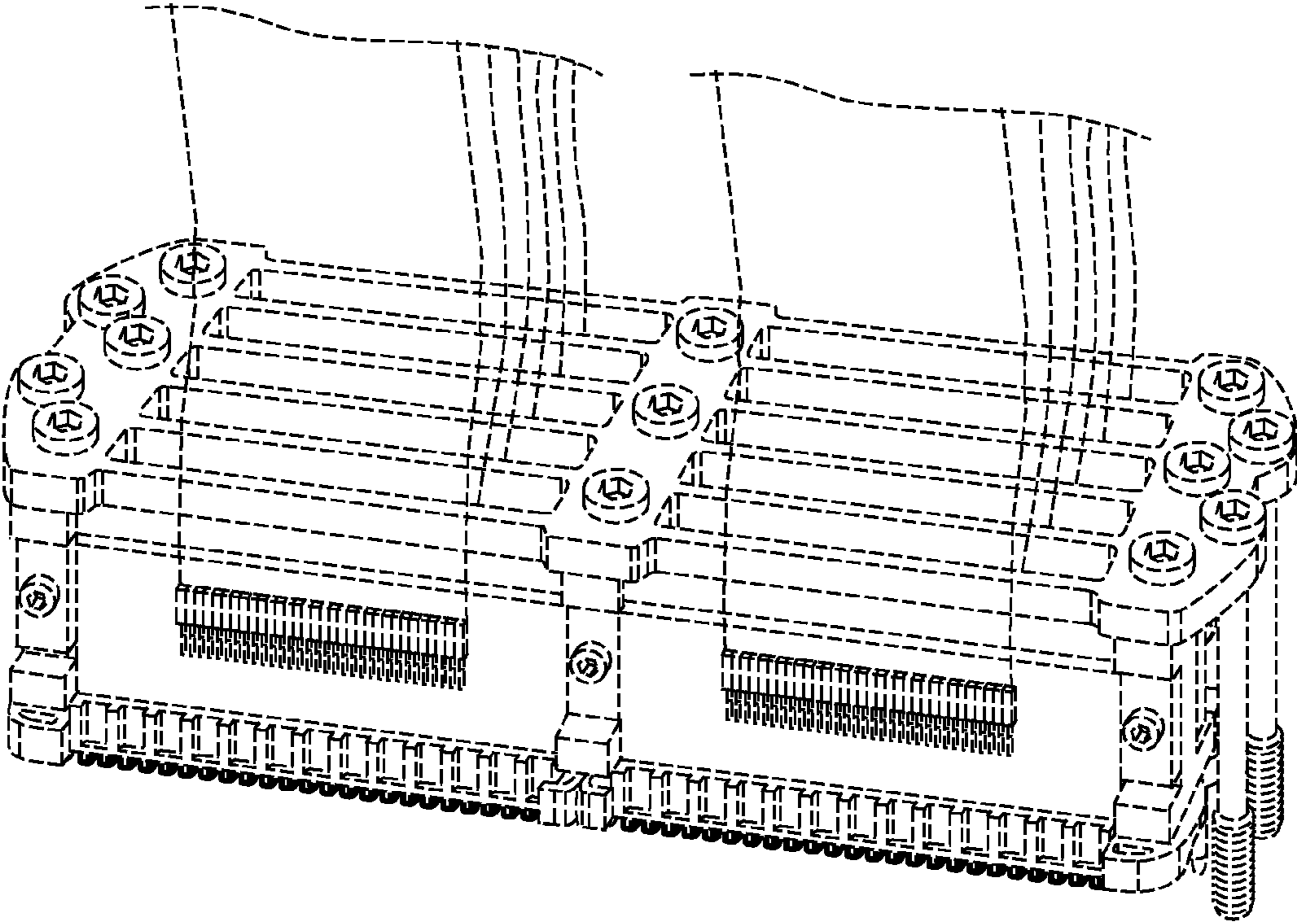


FIG. 1

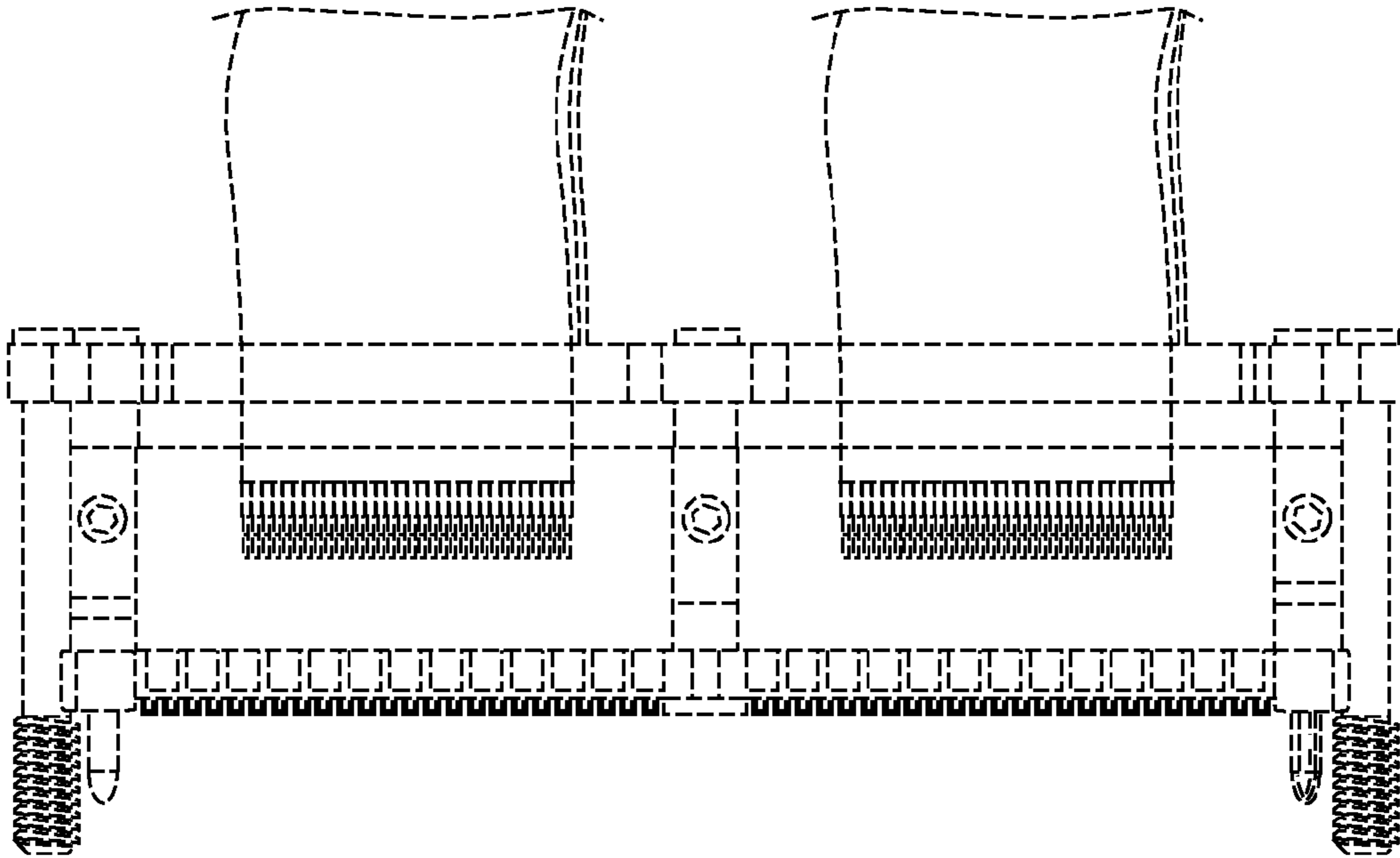


FIG. 2

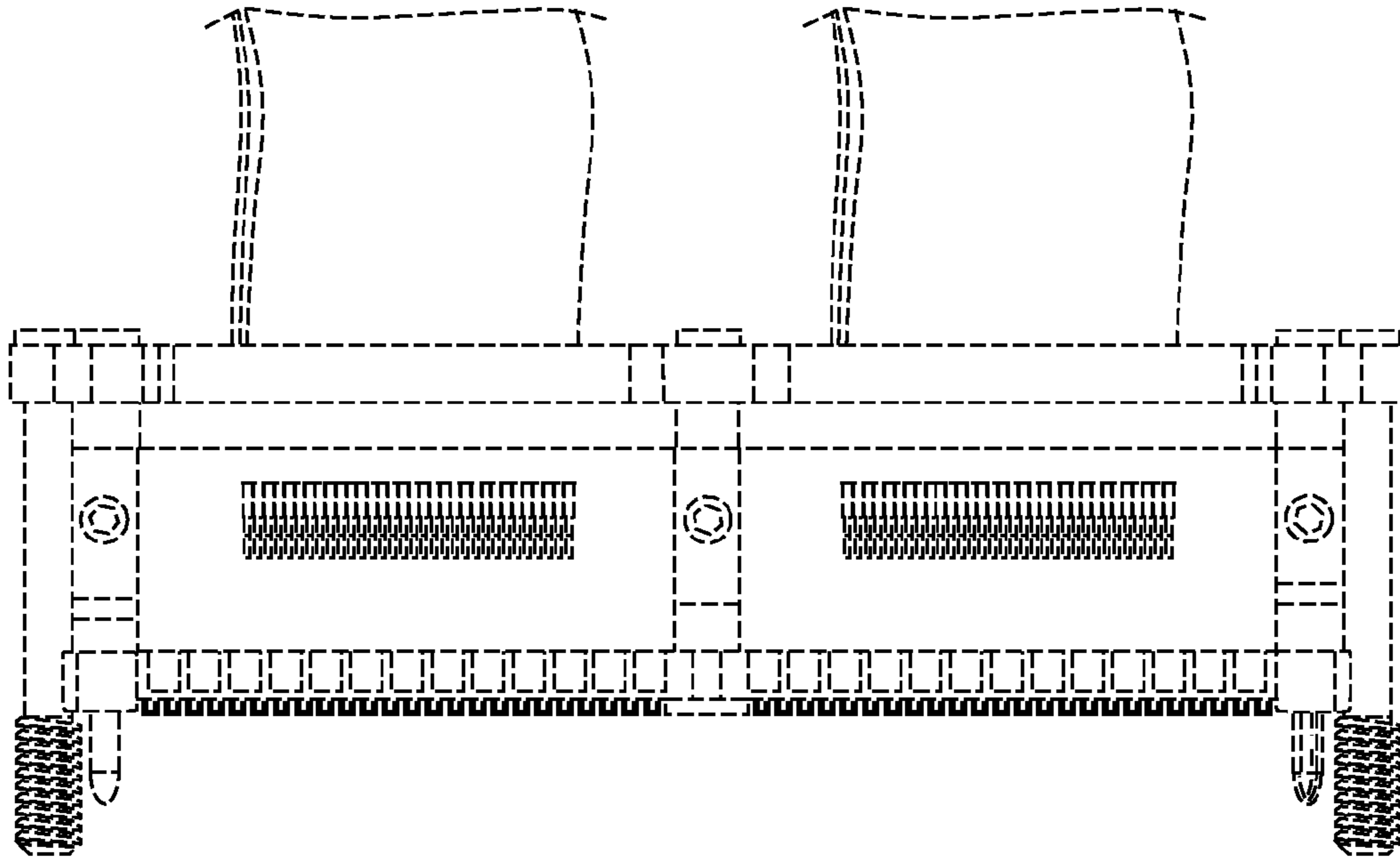


FIG. 3

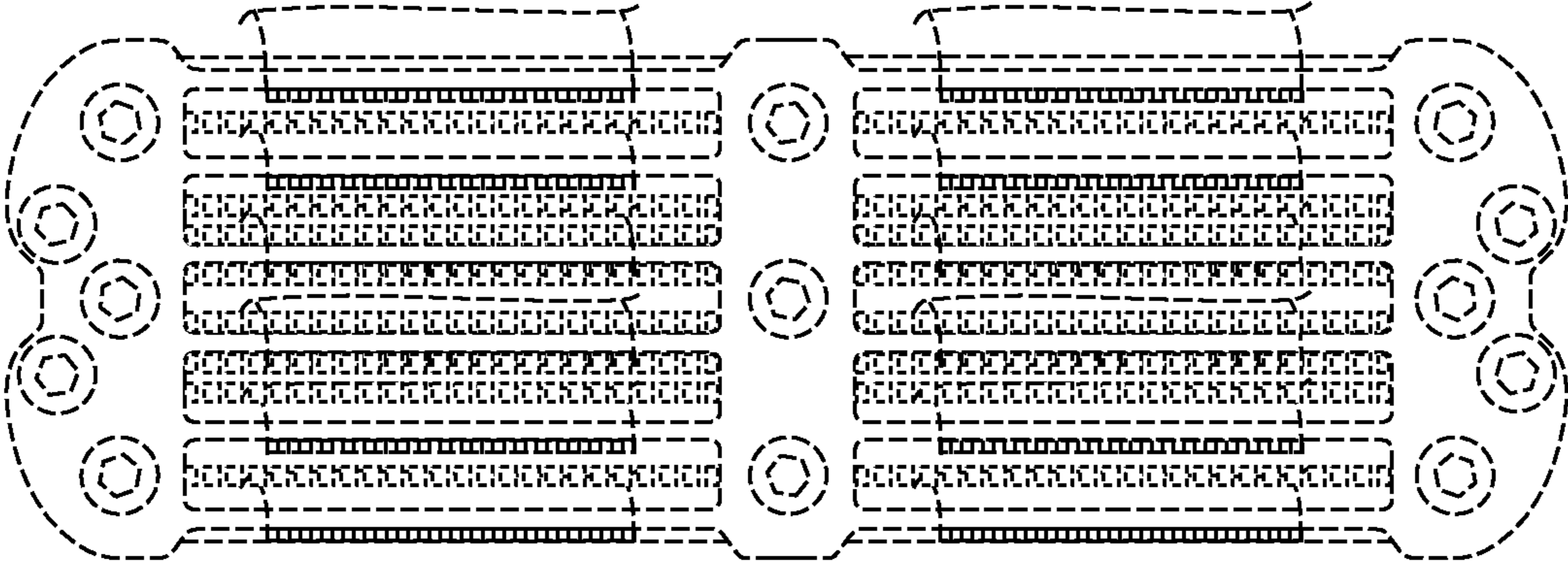


FIG. 4

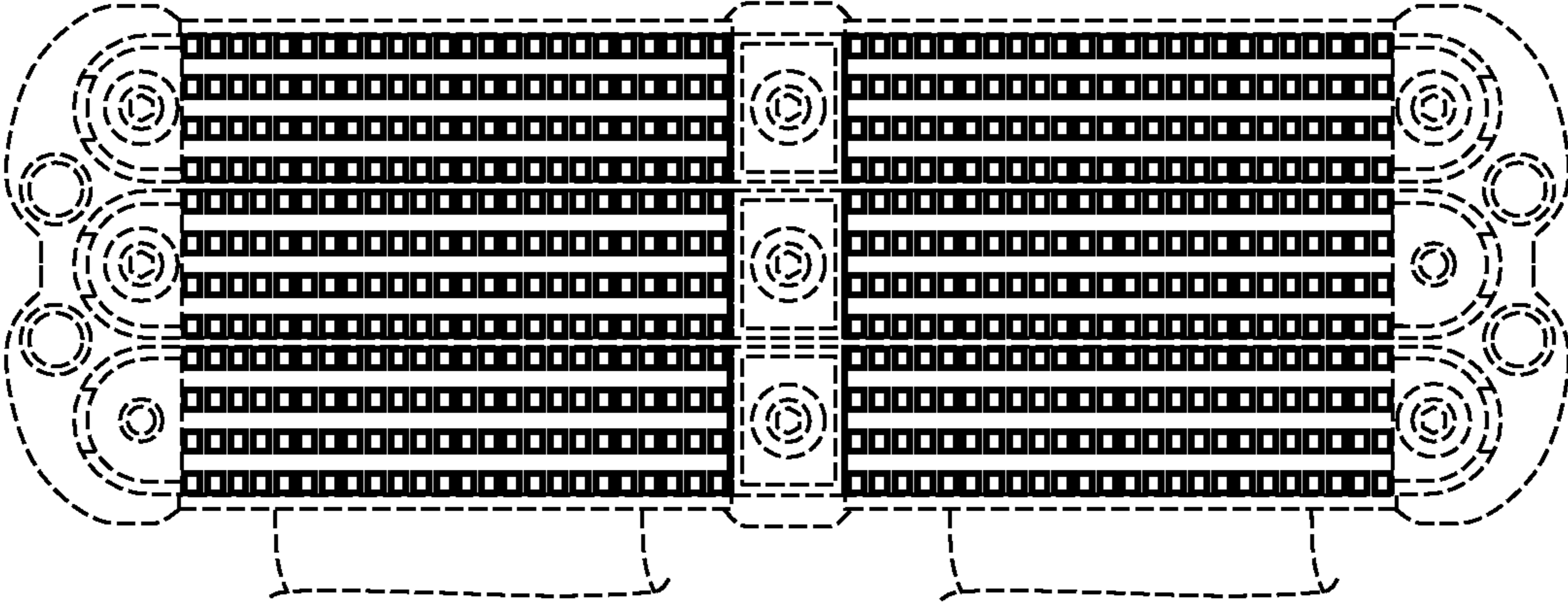


FIG. 5

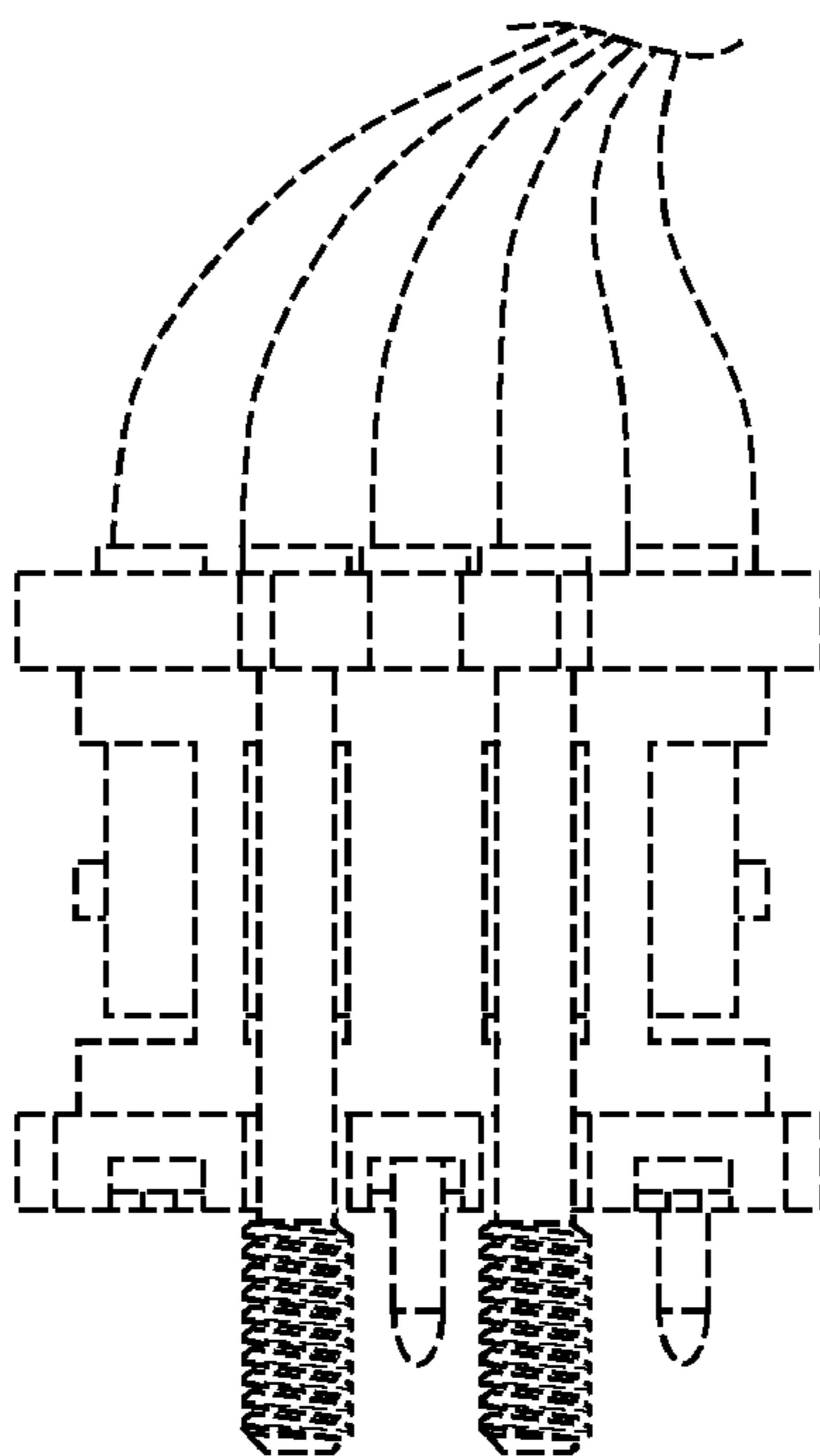


FIG. 6

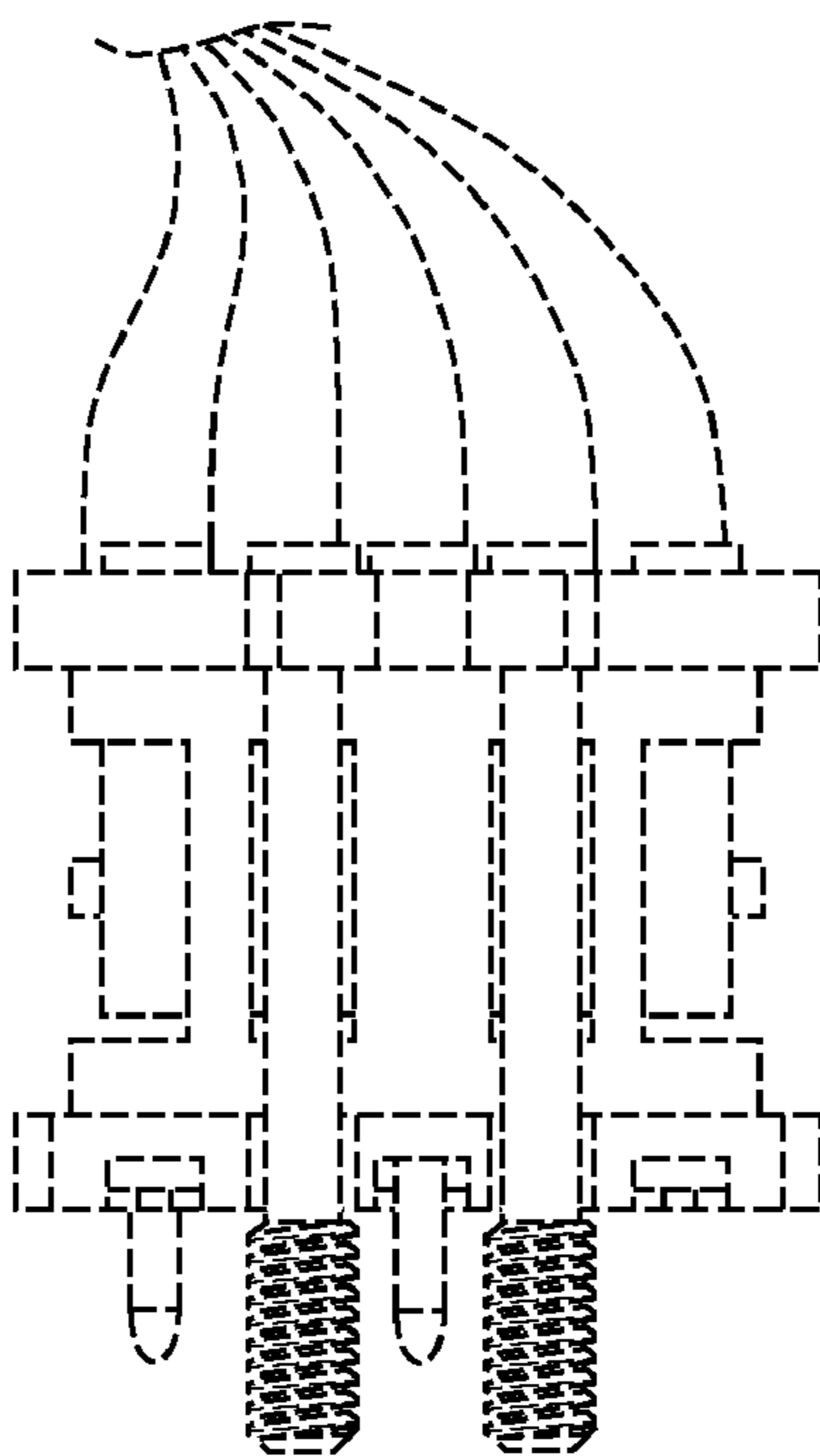


FIG. 7

UNITED STATES PATENT AND TRADEMARK OFFICE
CERTIFICATE OF CORRECTION

PATENT NO. : D630,166 S
APPLICATION NO. : 29/327294
DATED : January 4, 2011
INVENTOR(S) : Scott E. Lindsey et al.

Page 1 of 1

It is certified that error appears in the above-identified patent and that said Letters Patent is hereby corrected as shown below:

The Title page should read:

(73) Assignee: AEHR TEST SYSTEMS

Signed and Sealed this
Thirty-first Day of May, 2011

A handwritten signature in black ink that reads "David J. Kappos". The signature is written in a cursive style with a large initial "D" and "K".

David J. Kappos
Director of the United States Patent and Trademark Office