

US00D630164S

(12) **United States Design Patent**
Kudo et al.

(10) **Patent No.:** **US D630,164 S**
(45) **Date of Patent:** **** Jan. 4, 2011**

(54) **COIL UNIT**

(75) Inventors: **Takashi Kudo**, Tokyo (JP); **Masatoshi Shindoh**, Tokyo (JP); **Yuu Okabe**, Tokyo (JP)

(73) Assignee: **TDK Corporation**, Tokyo (JP)

(**) Term: **14 Years**

(21) Appl. No.: **29/365,824**

(22) Filed: **Jul. 15, 2010**

(30) **Foreign Application Priority Data**

Apr. 8, 2010 (JP) 2010-008906

(51) **LOC (9) Cl.** **13-02**

(52) **U.S. Cl.** **D13/117**

(58) **Field of Classification Search** D13/117,
D13/101, 118, 130, 183, 199; 123/634; 250/231.12;
336/83, 90, 92, 96, 160, 178, 192, 198, 200;
D15/199

See application file for complete search history.

(56) **References Cited**

U.S. PATENT DOCUMENTS

D250,644 S * 12/1978 Thweatt, Jr. D13/130
D330,541 S * 10/1992 Burrow et al. D13/183
5,545,892 A * 8/1996 Bilinski et al. 250/231.12
D384,333 S * 9/1997 Suzuki D13/183

D423,028 S * 4/2000 Okura et al. D15/199
D442,547 S * 5/2001 Takebuchi et al. D13/117
D455,715 S * 4/2002 Sakai et al. D13/118
6,791,445 B2 * 9/2004 Shibata et al. 336/90
D539,220 S * 3/2007 Iwakura D13/118
D586,745 S * 2/2009 Shibata et al. D13/117

FOREIGN PATENT DOCUMENTS

JP A-2008-78195 4/2008
JP S-D-1375343 12/2009

* cited by examiner

Primary Examiner—Prabhakar Deshmukh

Assistant Examiner—Derrick Holland

(74) *Attorney, Agent, or Firm*—Oliff & Berridge, PLC

(57) **CLAIM**

The ornamental design for a coil unit, as shown and described.

DESCRIPTION

FIG. 1 is a perspective view of a coil unit;

FIG. 2 is a front elevation view, with the rear elevation view being a mirror image of the front elevation view thereof;

FIG. 3 is a top plan view thereof;

FIG. 4 is a bottom plan view thereof;

FIG. 5 is a right-side view thereof; and,

FIG. 6 is a left-side view thereof.

1 Claim, 3 Drawing Sheets

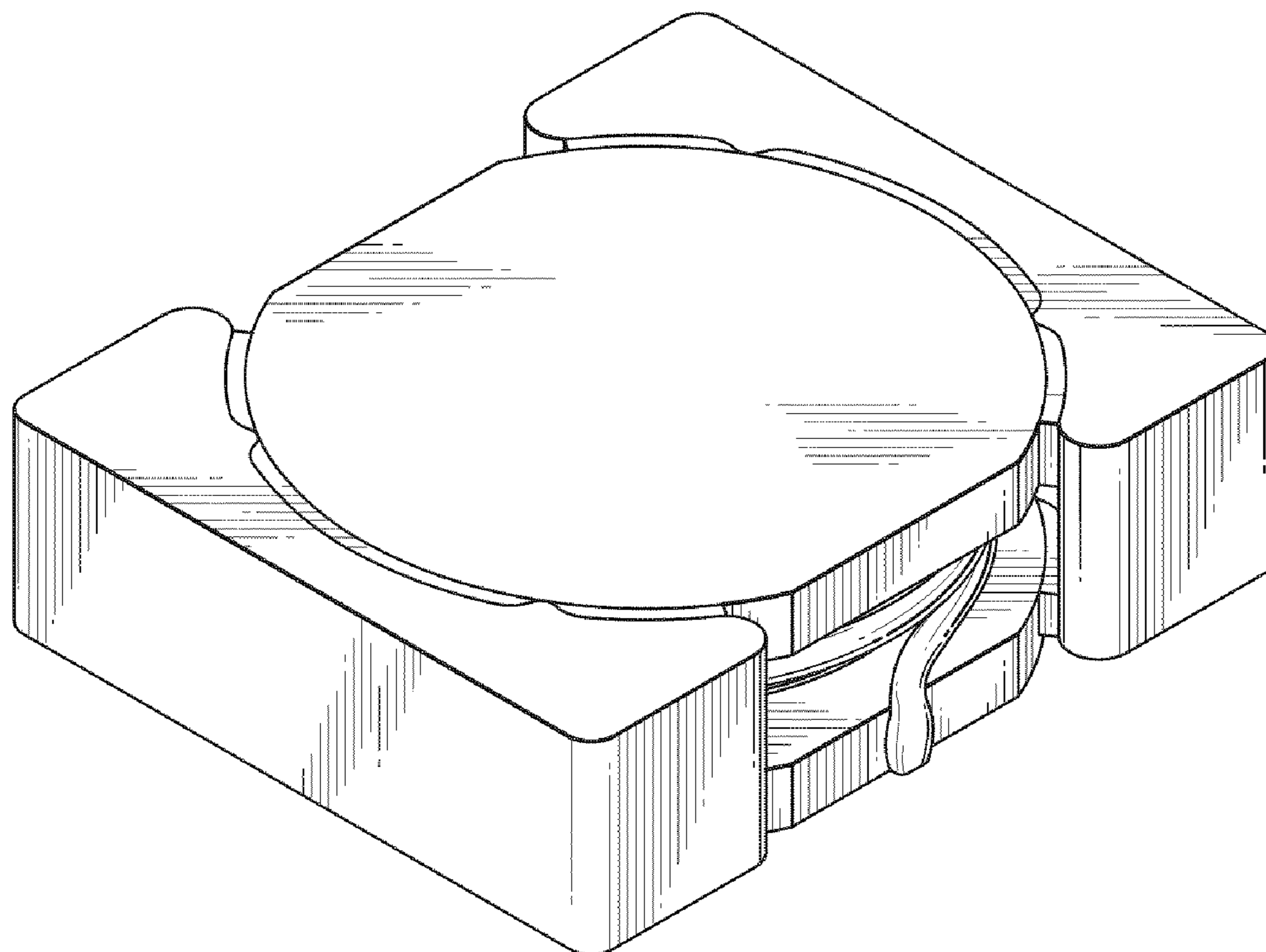


FIG.1

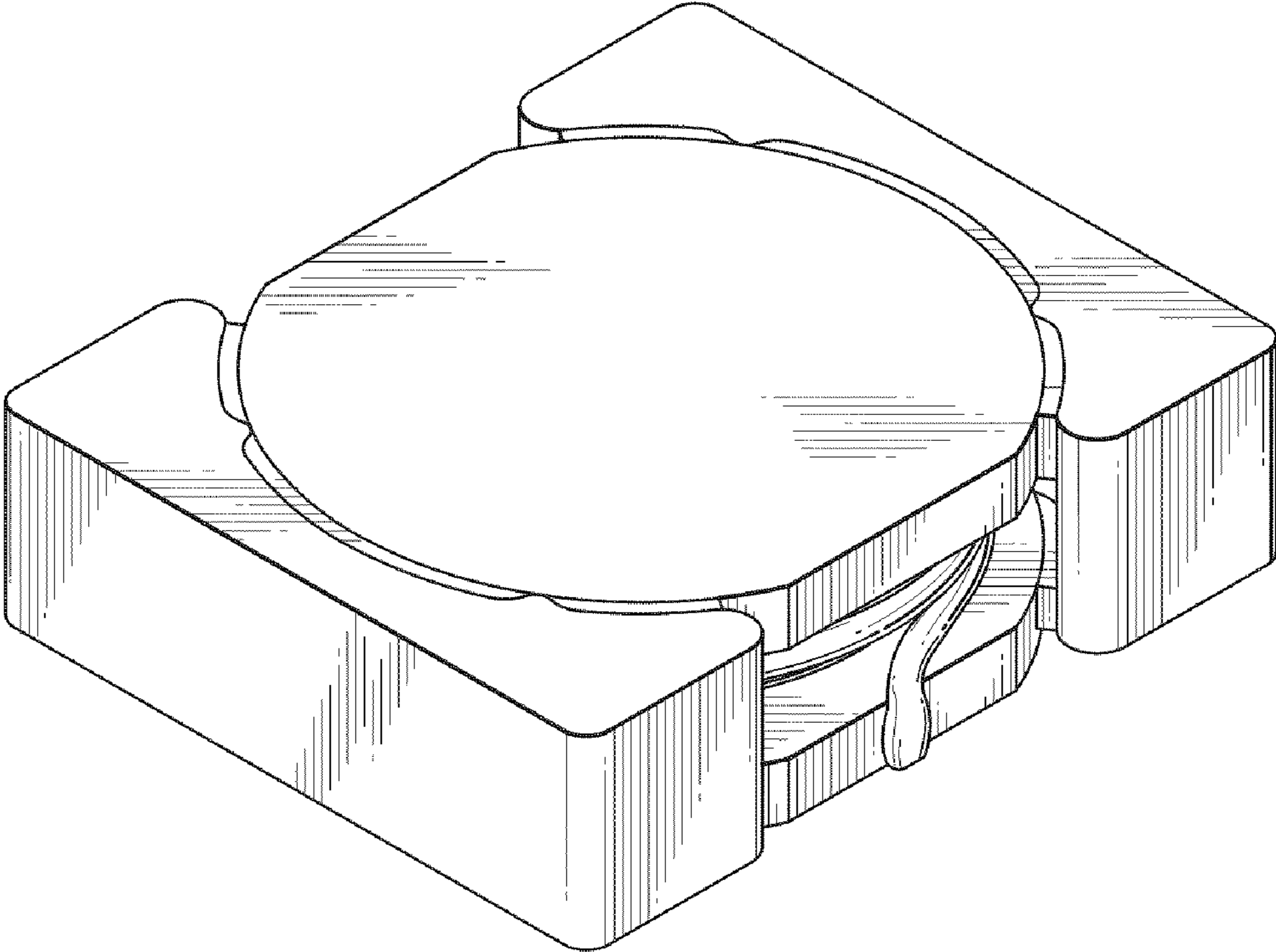


FIG.2

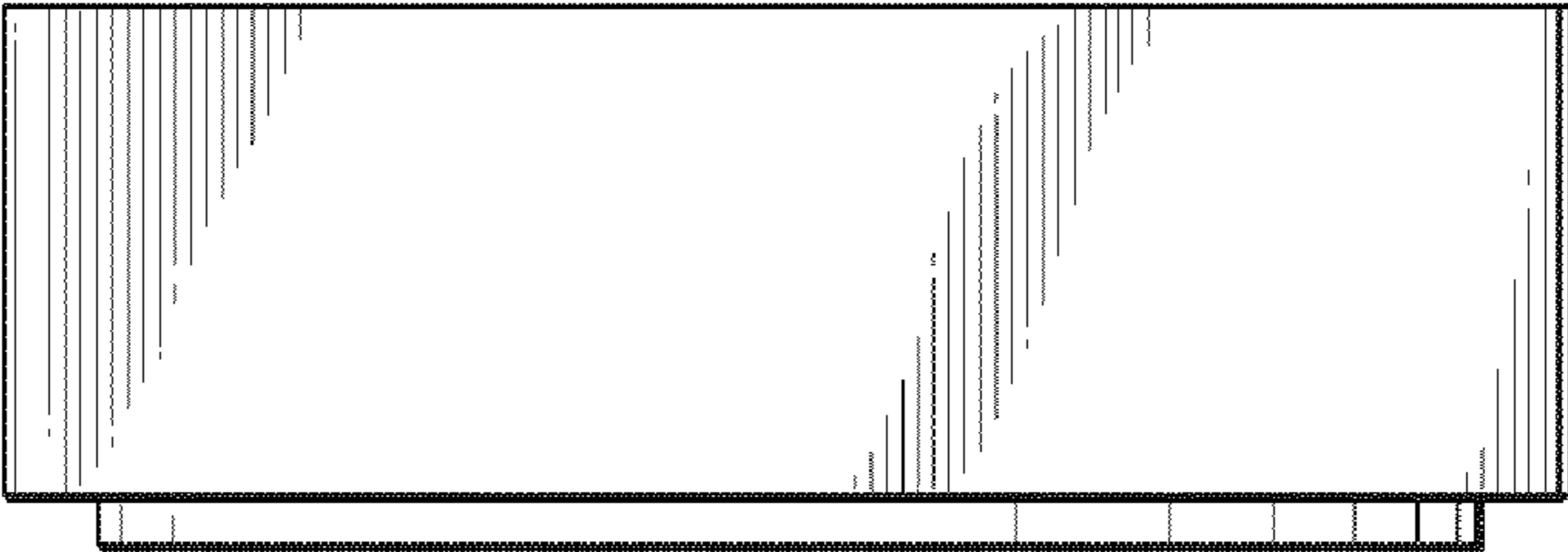


FIG.3

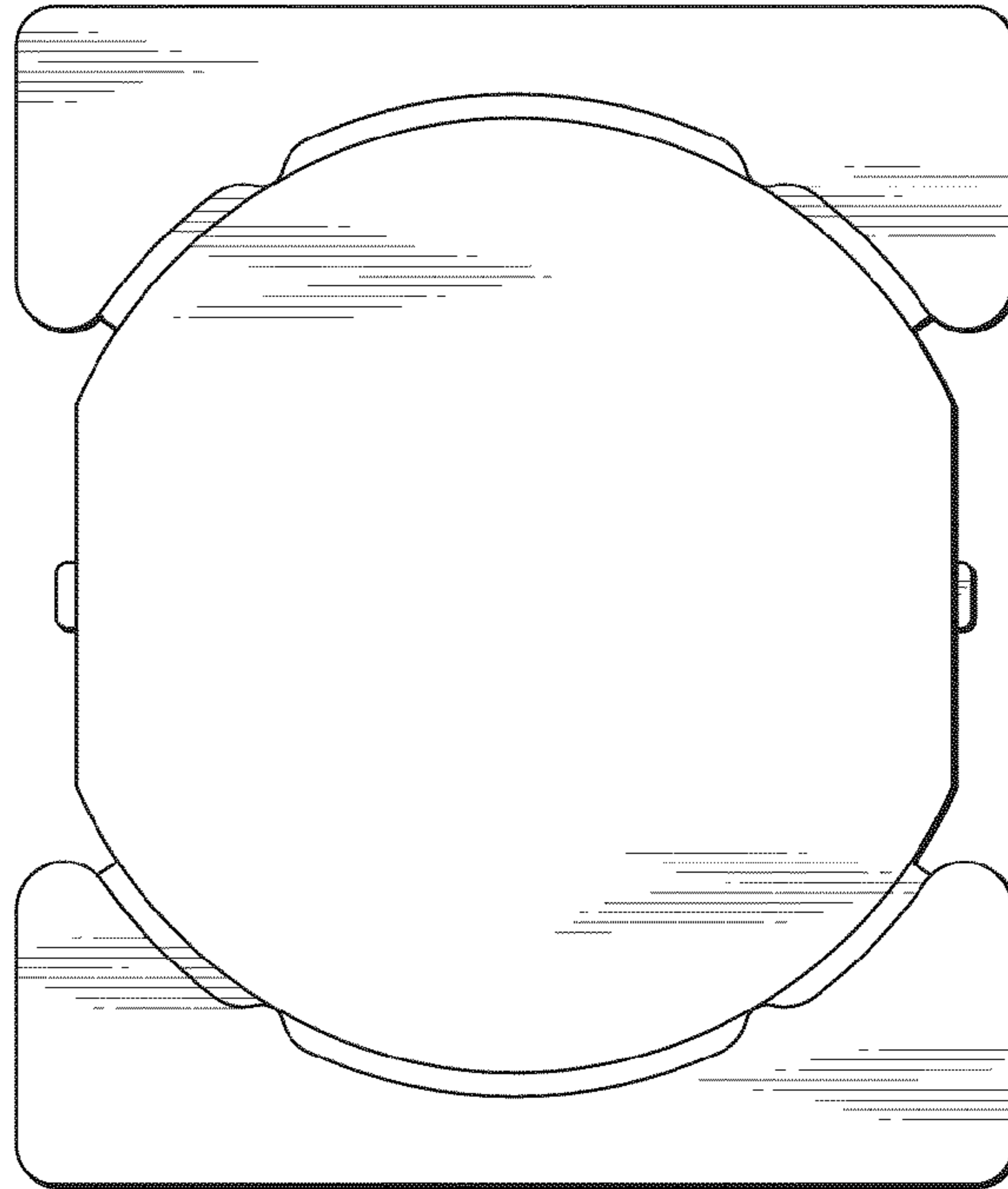


FIG.4

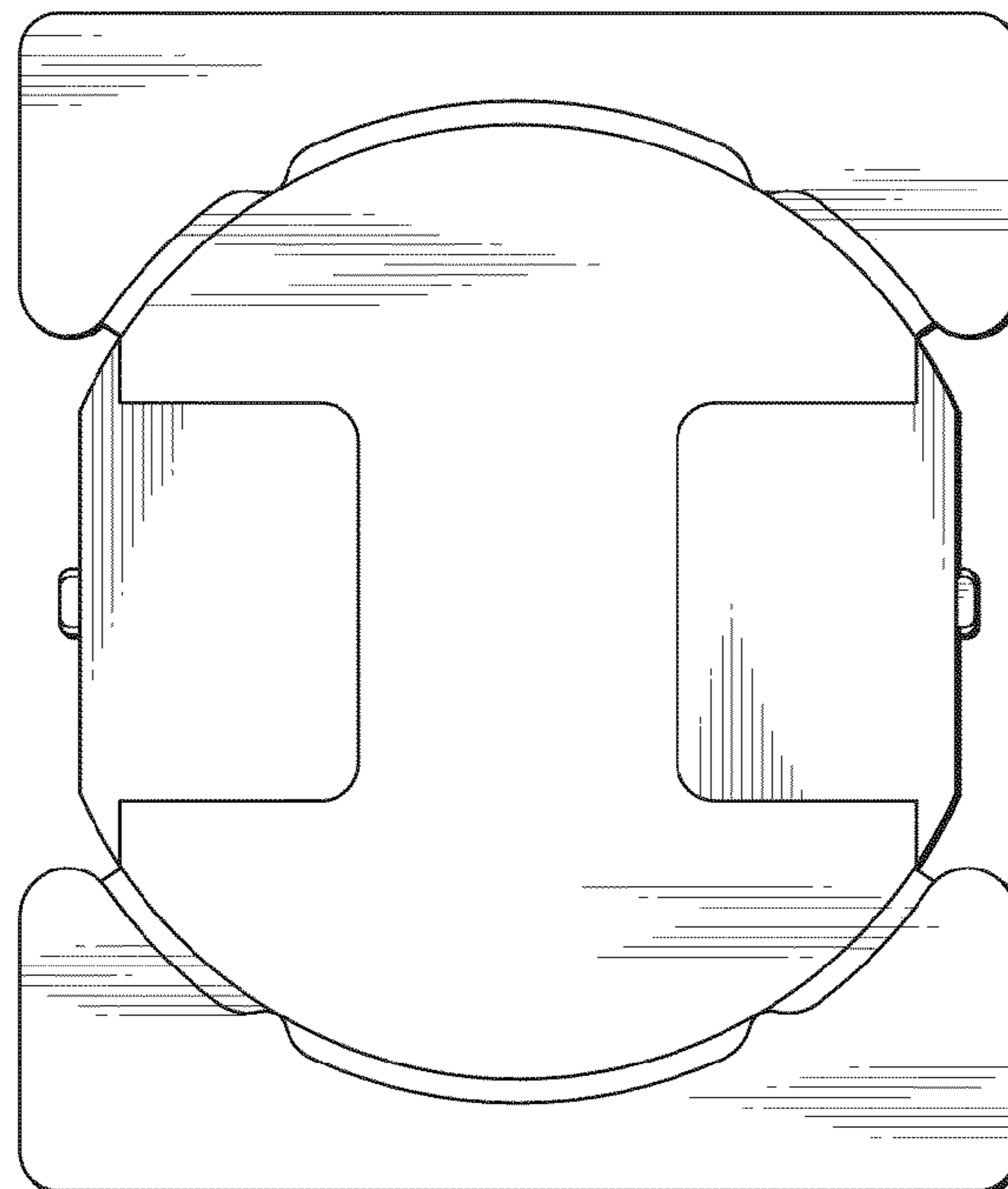


FIG.5

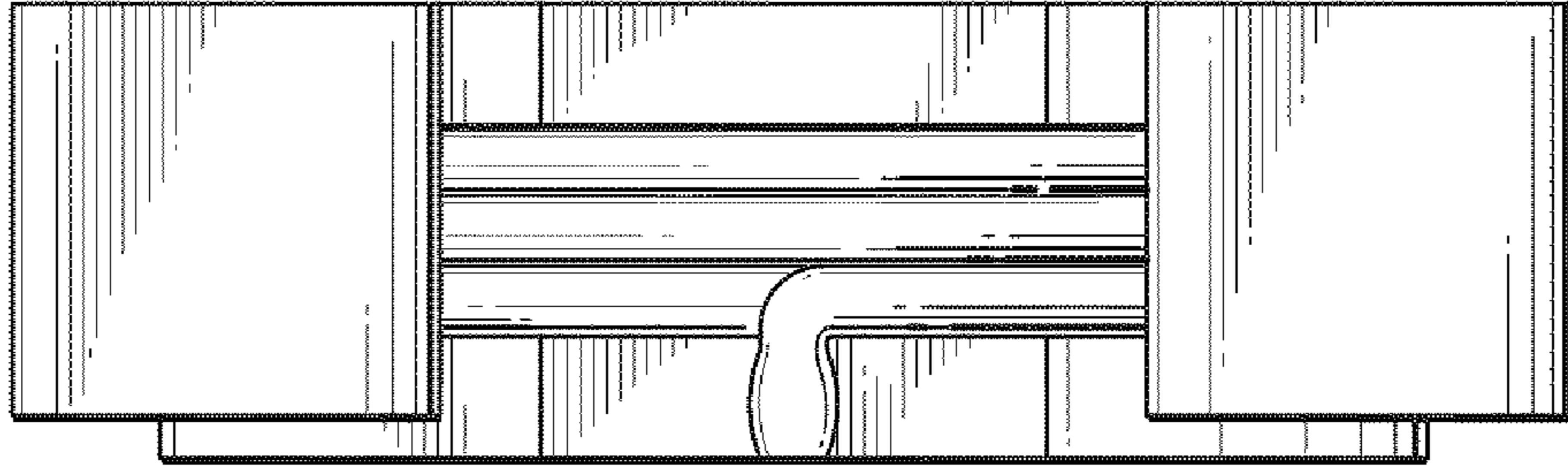


FIG.6

