



US00D630162S

(12) **United States Design Patent**  
**Bullen**

(10) **Patent No.:** **US D630,162 S**

(45) **Date of Patent:** **\*\* Jan. 4, 2011**

(54) **PERSONAL SOLAR CHARGER**

(74) *Attorney, Agent, or Firm*—Haynes and Boone, LLP

(75) Inventor: **Melvin James Bullen**, Los Gatos, CA (US)

(57) **CLAIM**

(73) Assignee: **Solar Components, LLC**, Campbell, CA (US)

The ornamental design for the personal solar charger, as shown and described.

(\*\*) Term: **14 Years**

**DESCRIPTION**

(21) Appl. No.: **29/357,339**

FIG. 1 is a front elevation view of a personal solar charger showing my new design;

(22) Filed: **Mar. 10, 2010**

FIG. 2 is a rear elevation view thereof;

(51) **LOC (9) Cl.** ..... **13-02**

FIG. 3 is a rear perspective view thereof;

(52) **U.S. Cl.** ..... **D13/102**

FIG. 4 is a rear perspective view thereof, with the feet extended;

(58) **Field of Classification Search** ..... D13/102,  
D13/101, 103, 107, 108, 199; 136/206, 243,  
136/244, 245, 252; 320/101, 102, 114, 115,  
320/120

FIG. 5 is a front perspective view of FIG. 1;

See application file for complete search history.

FIG. 6 is a left side elevation view thereof;

(56) **References Cited**

FIG. 7 is a right side elevation view thereof;

**U.S. PATENT DOCUMENTS**

FIG. 8 is a left side elevation view thereof, with the feet extended;

4,786,851	A *	11/1988	Fuji et al.	.....	320/101
5,522,943	A *	6/1996	Spencer et al.	.....	136/245
D391,921	S *	3/1998	Zimmer et al.	.....	D13/102
D395,279	S *	6/1998	Peress et al.	.....	D13/107
D467,225	S *	12/2002	Sudo	.....	D13/102
D489,680	S *	5/2004	Stobart	.....	D13/107
D530,269	S *	10/2006	Fowler et al.	.....	D13/102
D586,736	S *	2/2009	Fowler	.....	D13/102

FIG. 9 is a right side elevation view thereof, with the feet extended;

\* cited by examiner

FIG. 10 is a top plan view of FIG. 1;

*Primary Examiner*—Prabhakar Deshmukh  
*Assistant Examiner*—Derrick Holland

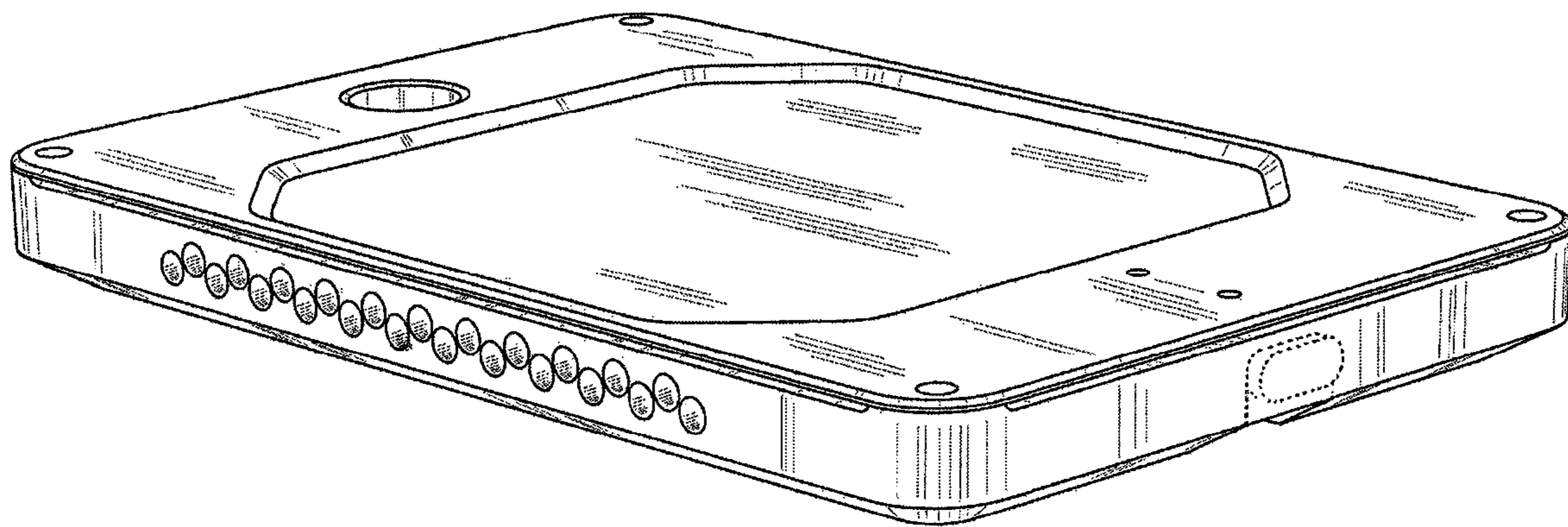
FIG. 11 is a bottom plan view of thereof;

FIG. 12 is a top plan view thereof, with the feet extended; and,

FIG. 13 is a bottom plan view thereof, with the feet extended.

The broken lines shown are for illustrative purposes only and form no part of the claimed design.

**1 Claim, 9 Drawing Sheets**



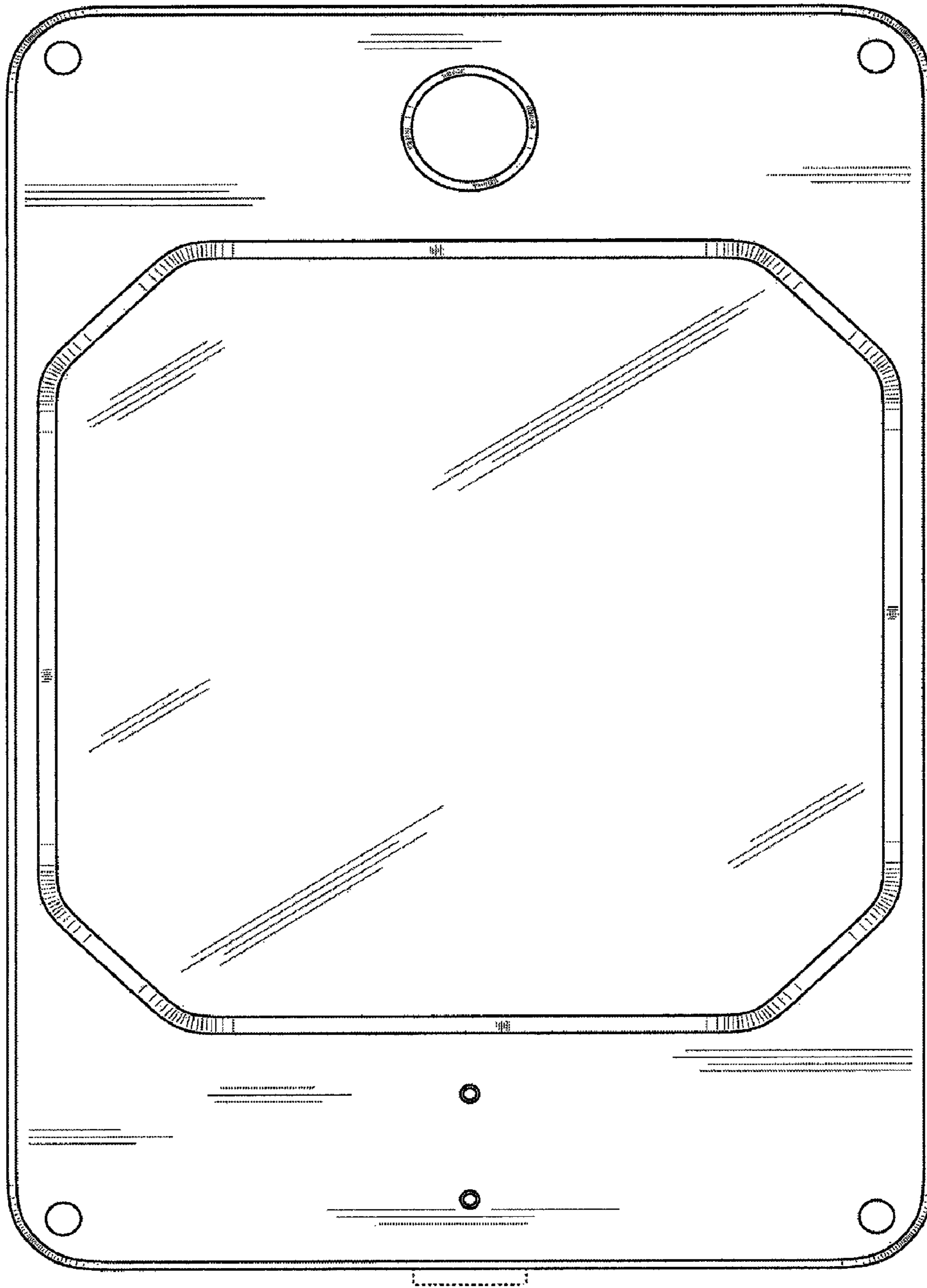


Figure 1

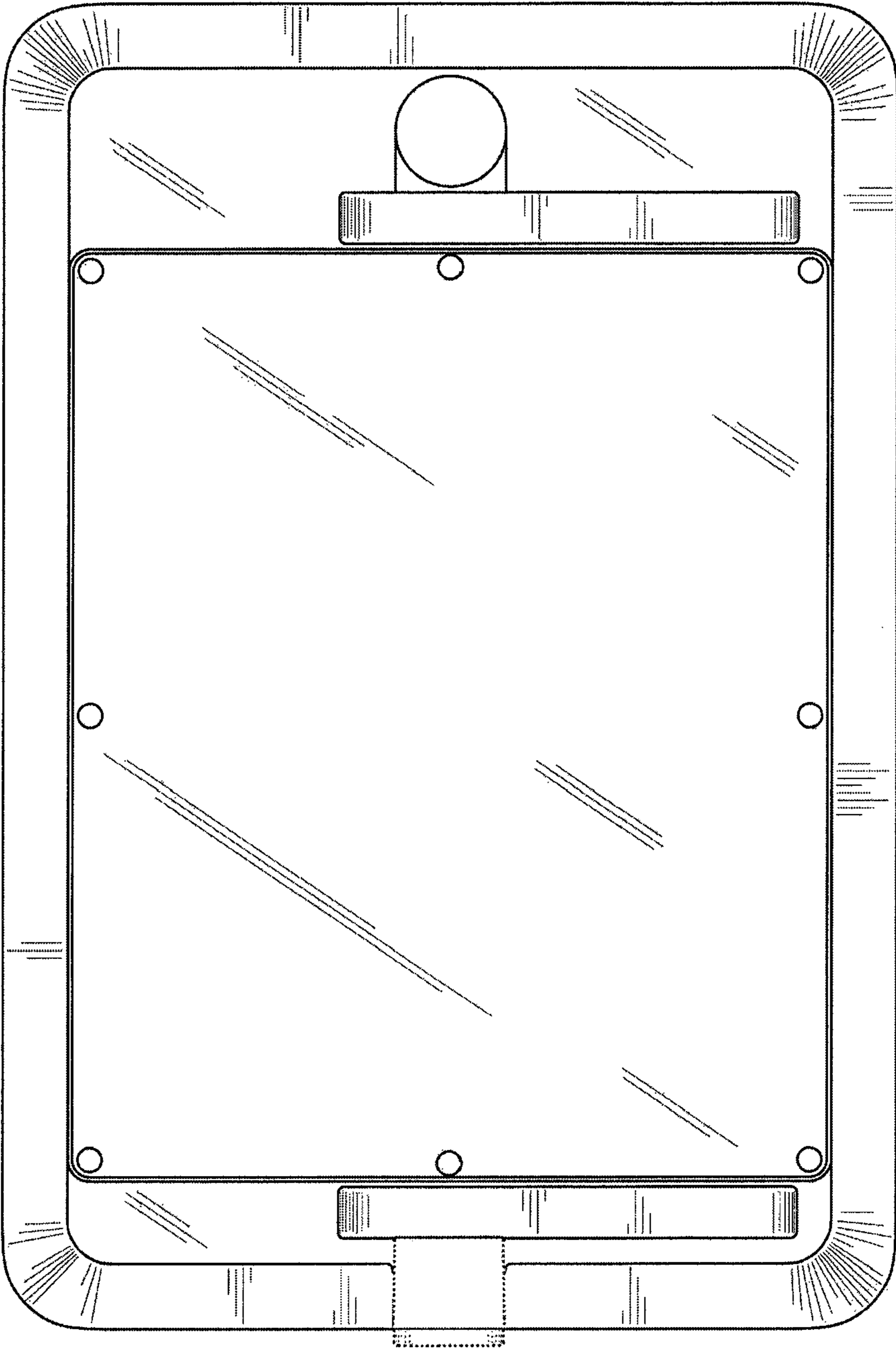


Figure 2

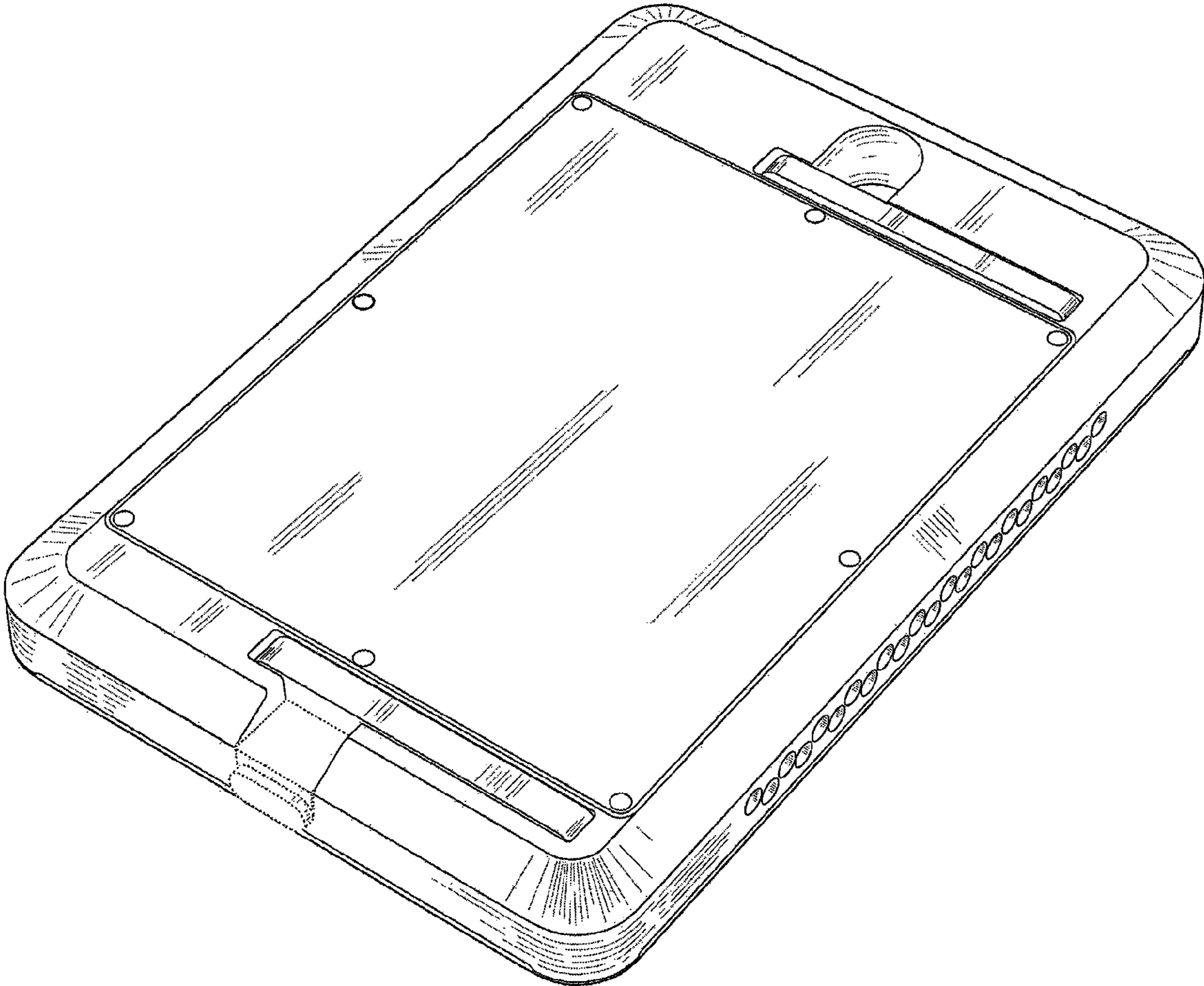


Figure 3

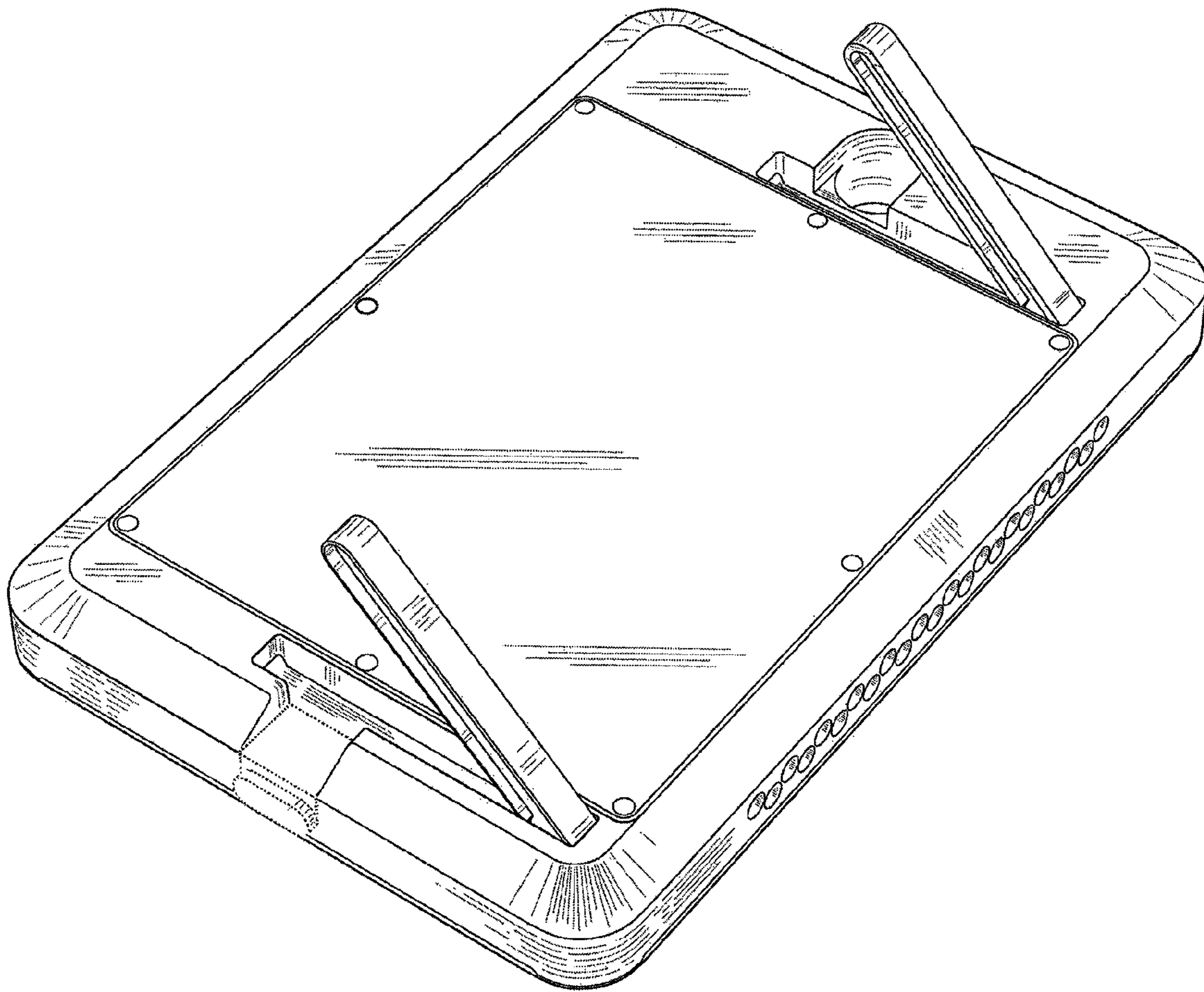


Figure 4

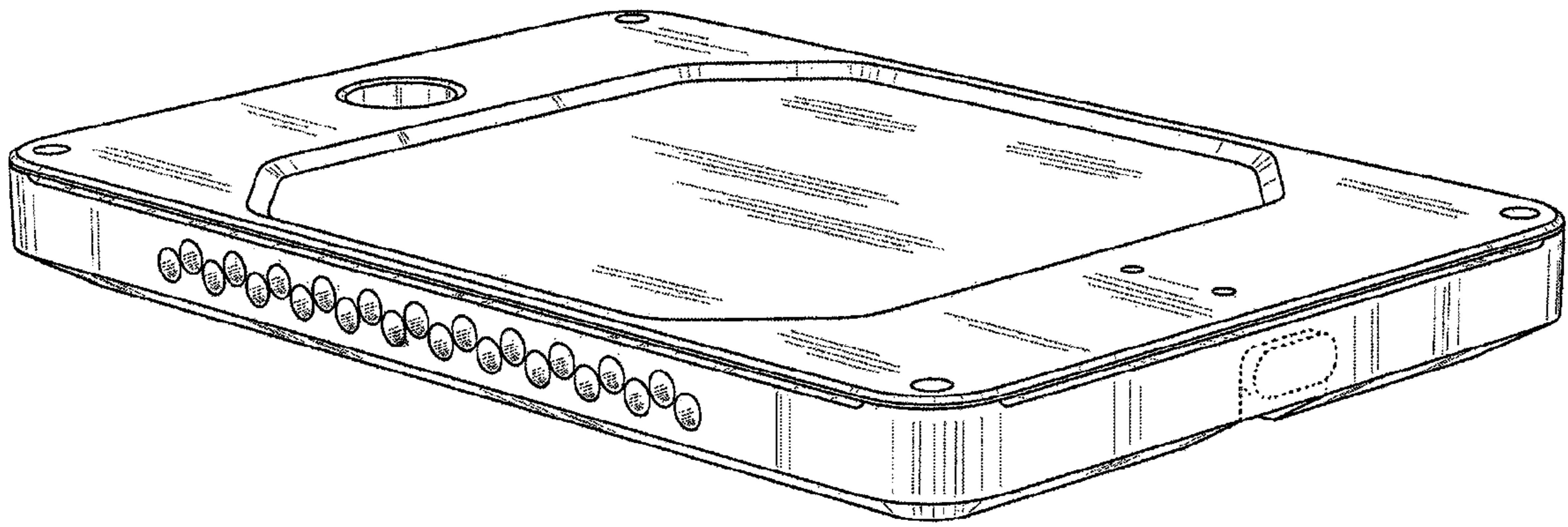


Figure 5

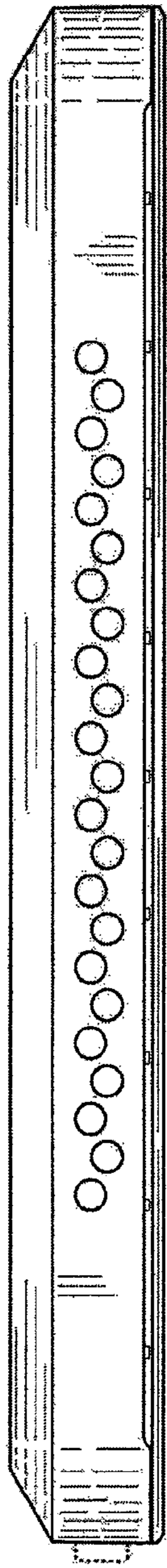


Figure 6

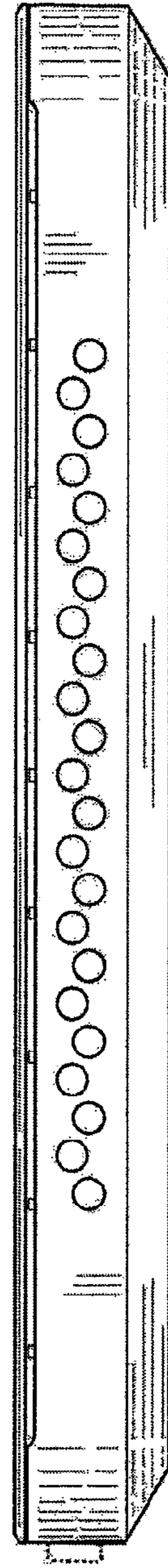


Figure 7

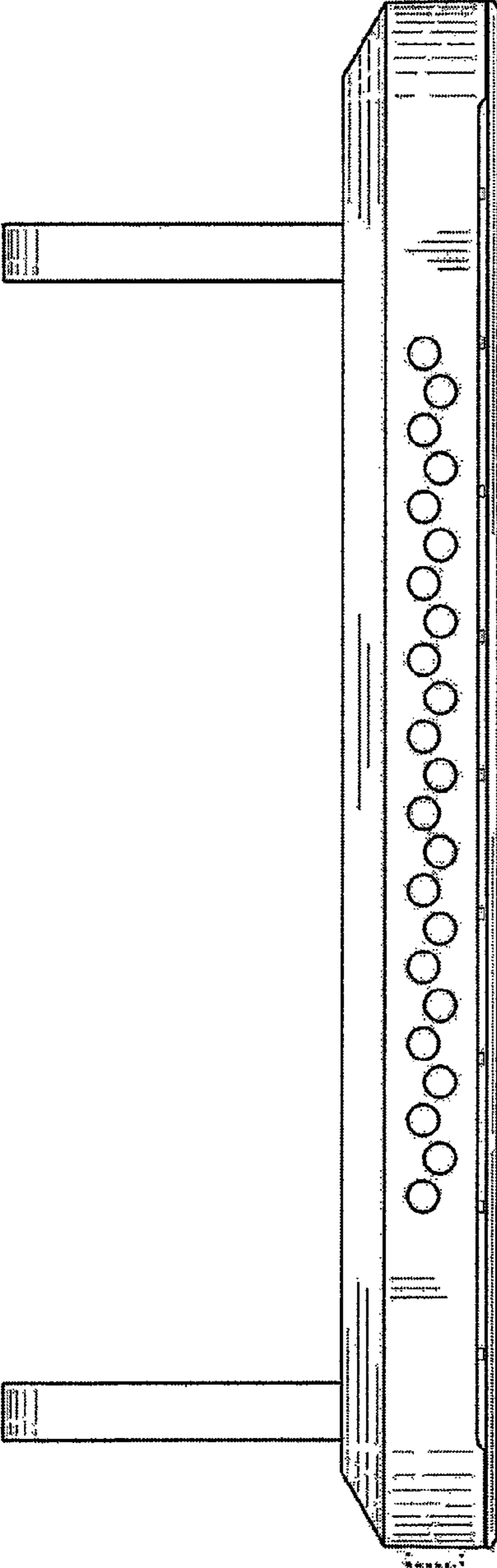


Figure 8

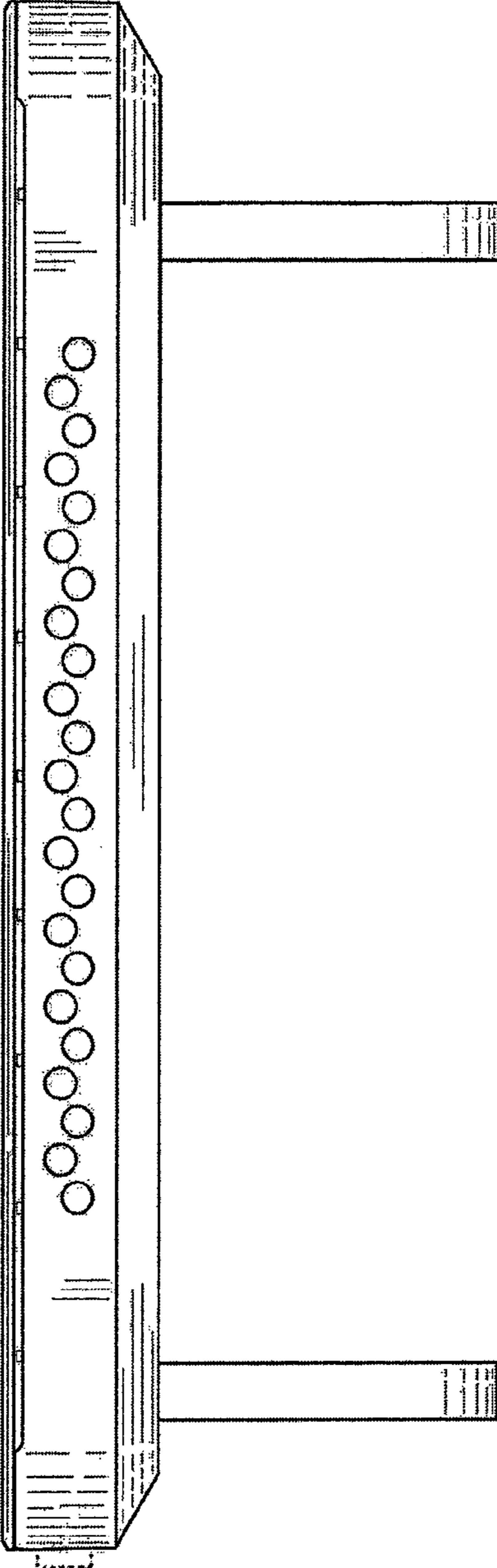


Figure 9



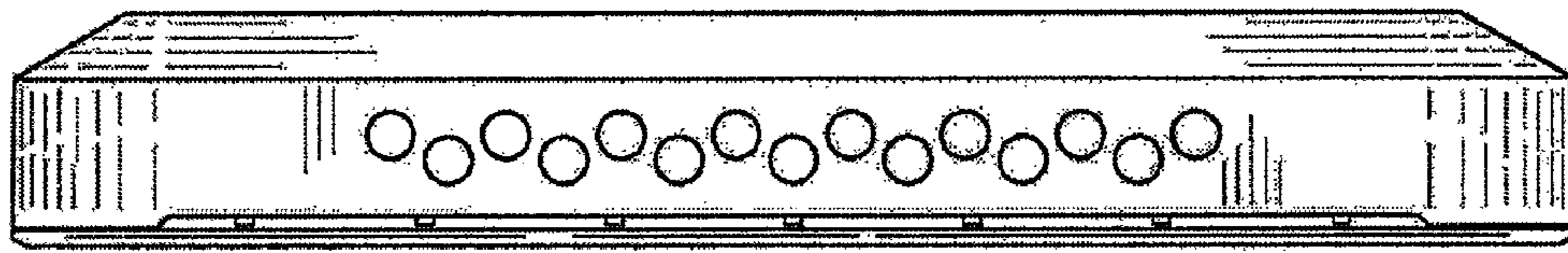


Figure 10

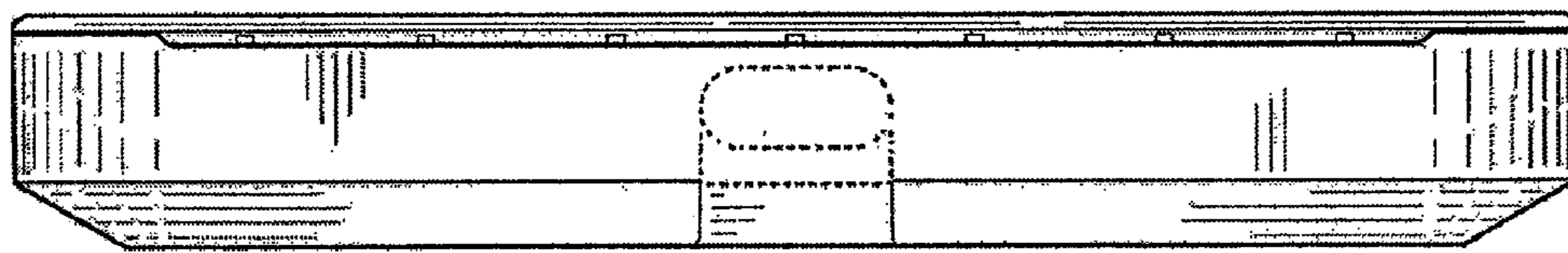


Figure 11

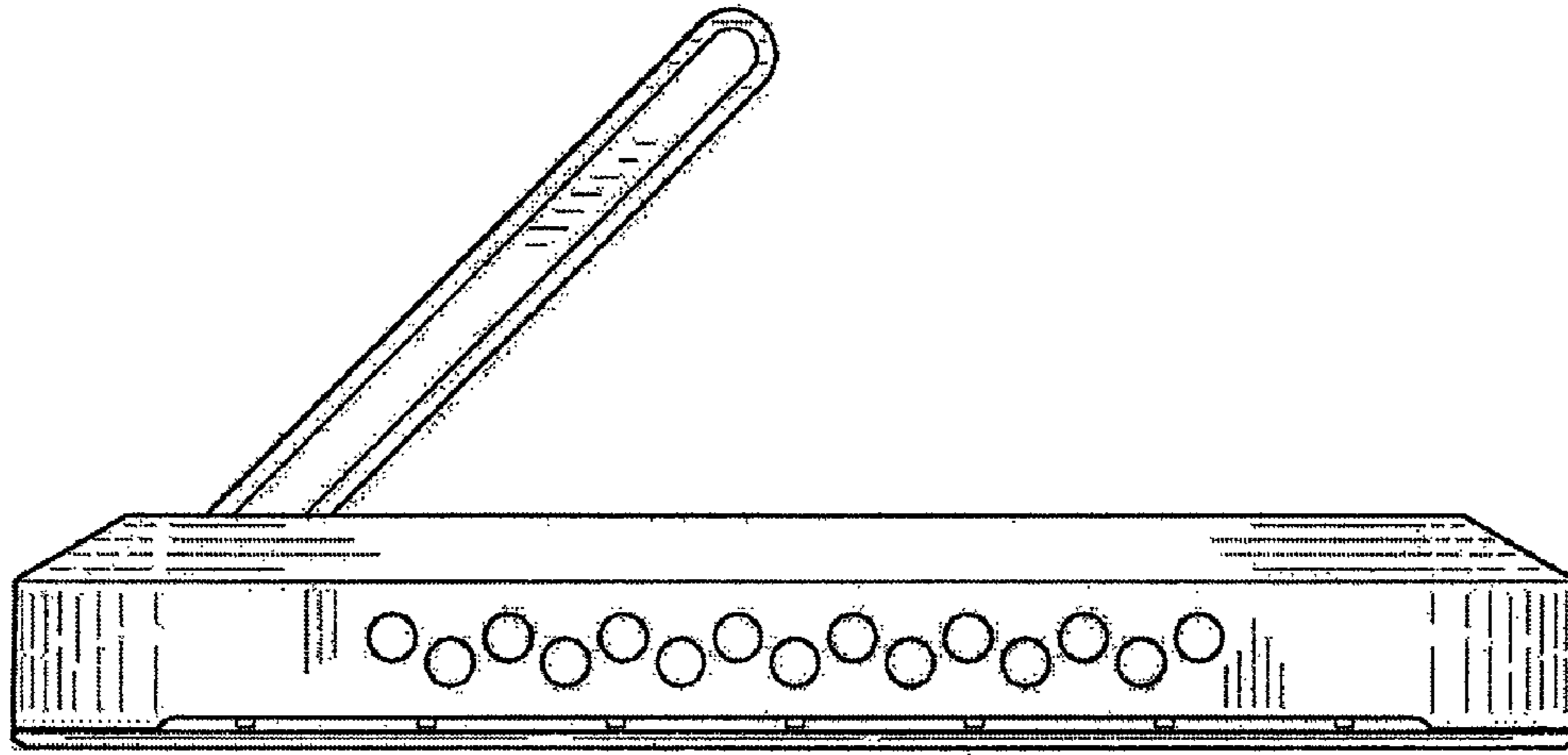


Figure 12

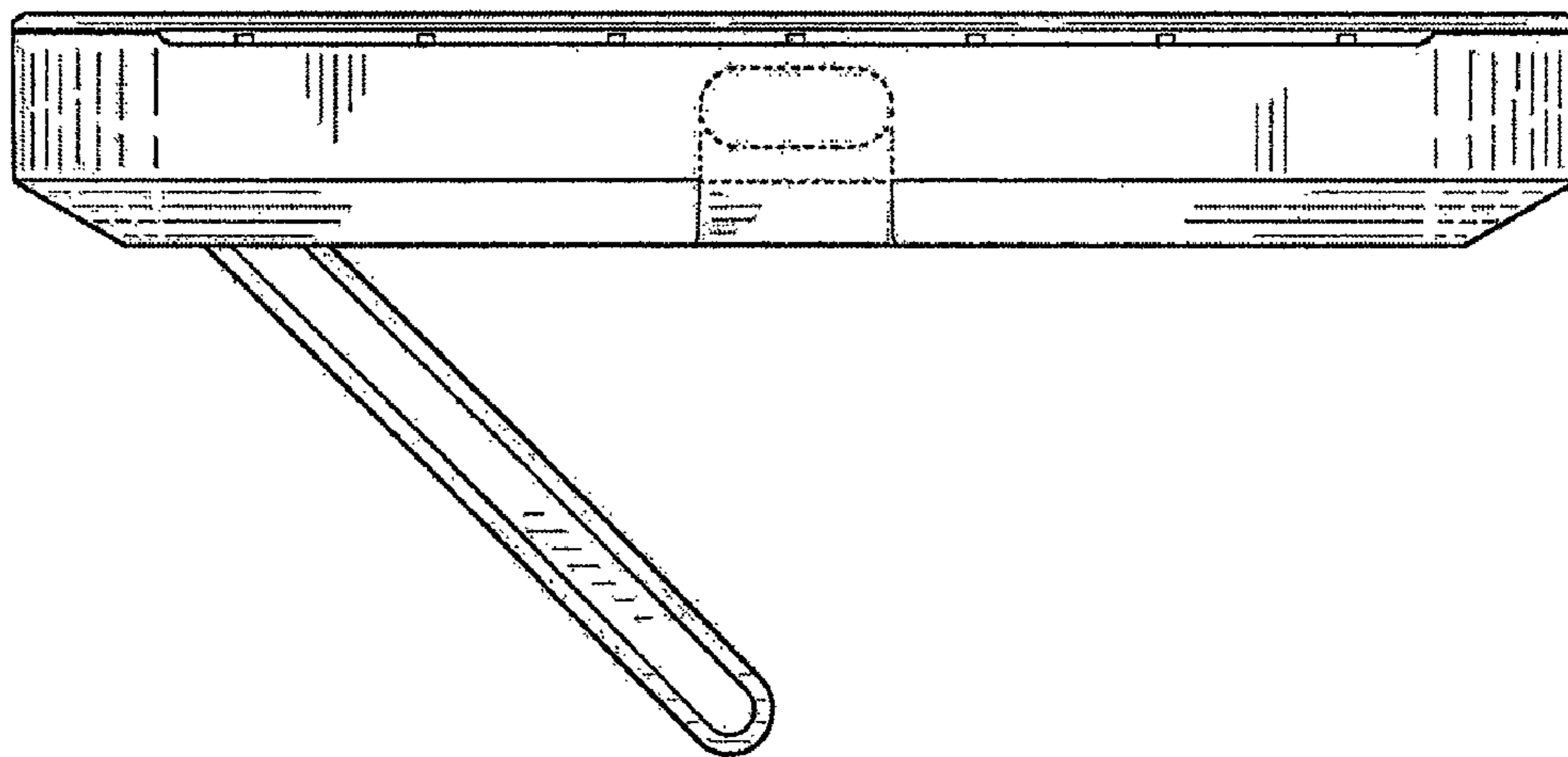


Figure 13