



US00D630158S

(12) **United States Design Patent**  
**Jessie, Jr.**

(10) **Patent No.:** **US D630,158 S**  
(45) **Date of Patent:** **\*\* Jan. 4, 2011**

(54) **CHILD VEHICLE**

(Continued)

(75) Inventor: **Donald K. Jessie, Jr.**, Middletown, OH  
(US)

FOREIGN PATENT DOCUMENTS

GB 2 263 258 7/1993

(73) Assignee: **Huffy Corporation**, Centerville, OH  
(US)

(Continued)

(\*\*) Term: **14 Years**

OTHER PUBLICATIONS

Mark A. Laipple; Declaration of Mark A. Laipple; Aug. 13, 2010; 3 pages.

(21) Appl. No.: **29/355,897**

*Primary Examiner*—Cynthia M Chin

(22) Filed: **Feb. 16, 2010**

(74) *Attorney, Agent, or Firm*—Wood, Herron & Evans, L.L.P.

(51) **LOC (9) Cl.** ..... **21-01**

(52) **U.S. Cl.** ..... **D12/423; D21/435**

(58) **Field of Classification Search** ..... D21/419,  
D21/421, 423–428, 431–435, 548; D12/107,  
D12/112, 129, 130, 133; 180/65.1; 280/7.1,  
280/7.11, 7.15, 7.17, 47.17, 47.25, 47.38,  
280/47.34, 87.01, 87.021, 87.05, 87.051,  
280/282, 827, 828; 446/440

(57) **CLAIM**

The ornamental design for a child vehicle, as shown and described.

See application file for complete search history.

**DESCRIPTION**

FIG. 1 is a perspective view of my new, original and ornamental design;

(56) **References Cited**

U.S. PATENT DOCUMENTS

1,379,305 A	5/1921	Johns	
1,514,720 A	11/1924	Pauly	
1,653,583 A	12/1927	Paxson	
2,481,837 A	9/1949	Giese	
D158,455 S	5/1950	Glamb	
D176,037 S	11/1955	Rhoades	
D176,157 S *	11/1955	Scanland	D21/426
D229,079 S *	11/1973	Boyle	D21/435
4,079,957 A	3/1978	Blease	
4,657,270 A	4/1987	Allen et al.	
4,958,842 A	9/1990	Chang	
D326,687 S *	6/1992	Miller	D21/423
D355,870 S	2/1995	Dieudonne	
5,441,289 A	8/1995	Spielberger	

FIG. 2 is a rear perspective view thereof;

FIG. 3 is a front view thereof;

FIG. 4 is a right side view thereof, the left side view being a mirror image thereof;

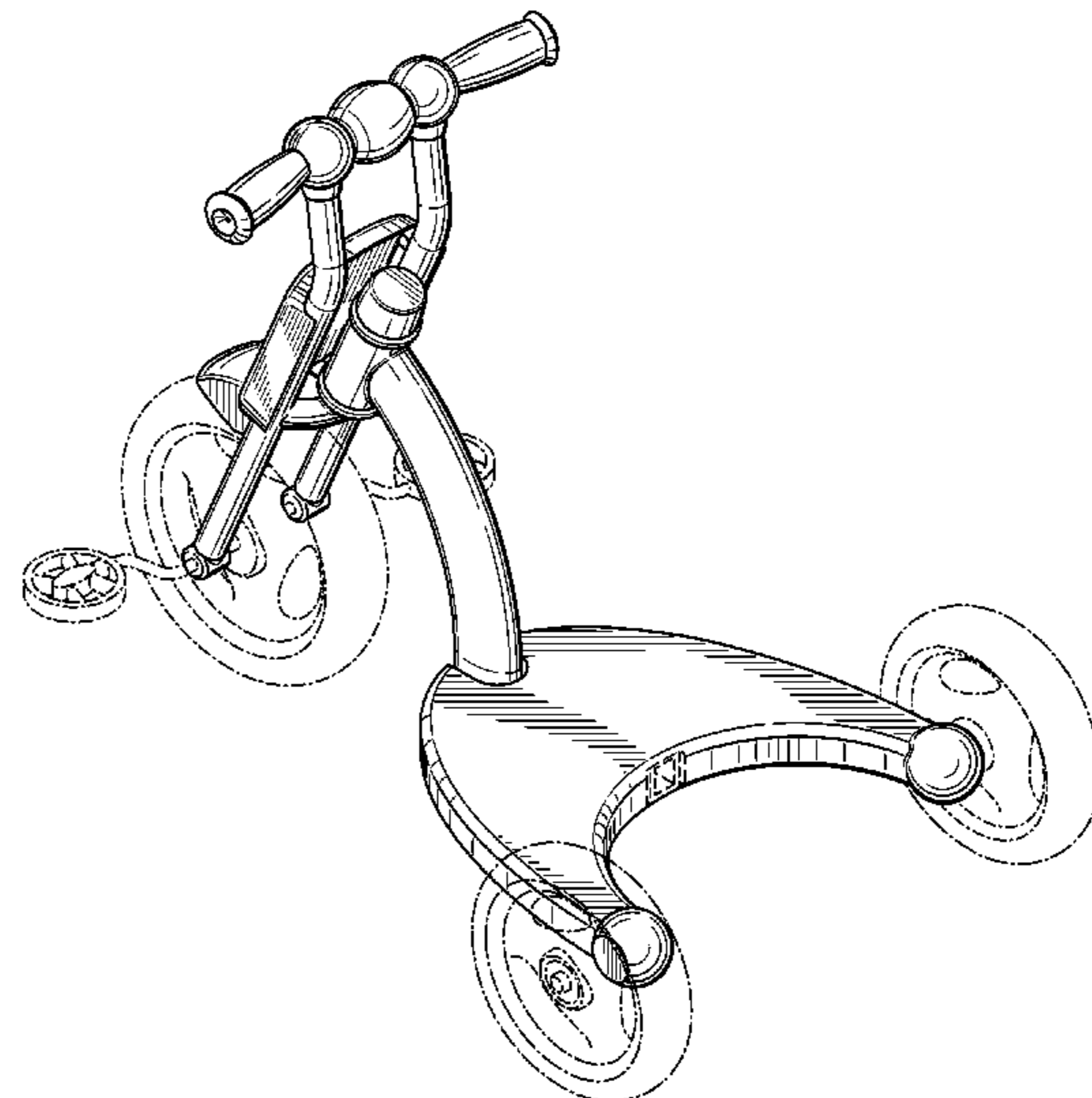
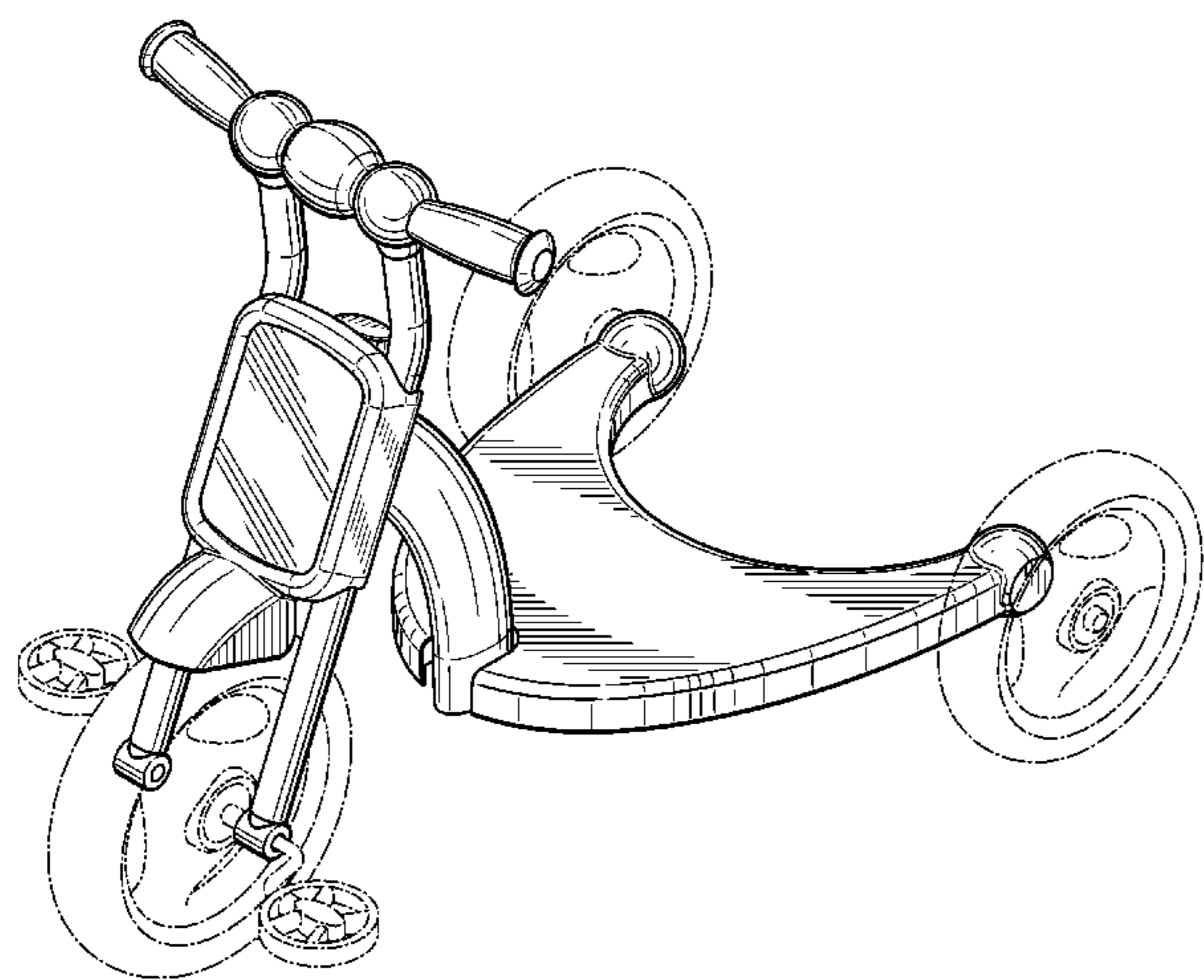
FIG. 5 is a rear view thereof;

FIG. 6 is a top view thereof; and,

FIG. 7 is a bottom view thereof.

The phantom lines of the child vehicle are directed to environment and are for illustrative purposes only. The phantom lines form no part of the claimed design. Additionally, the unshown portion of the child vehicle forms no part of the claimed design.

**1 Claim, 7 Drawing Sheets**



# US D630,158 S

Page 2

## U.S. PATENT DOCUMENTS

D387,703 S \* 12/1997 Thuma ..... D12/107  
D421,282 S \* 2/2000 Orr ..... D21/423  
D435,235 S \* 12/2000 Matias De Oliveira ..... D12/112  
D481,423 S \* 10/2003 Nien ..... D21/424  
6,641,456 B2\* 11/2003 Wang ..... 446/440  
6,685,206 B1 2/2004 Blake  
6,685,207 B1 2/2004 Blake  
6,695,327 B1 2/2004 Maggiore et al.  
D494,509 S 8/2004 Chiappetta et al.  
D514,476 S \* 2/2006 Glenn, II ..... D12/112  
D518,417 S 4/2006 Oosterveer  
D525,568 S 7/2006 Baron  
7,188,849 B2 3/2007 Lee

D580,500 S \* 11/2008 Hong ..... D21/423  
7,455,308 B2 11/2008 Michelau et al.  
D582,489 S \* 12/2008 Badanjo ..... D21/435  
7,487,982 B2 2/2009 Chan  
D589,851 S 4/2009 Santamaria  
D594,788 S 6/2009 Hartlaub et al.  
2003/0052471 A1 3/2003 Grafton  
2008/0174087 A1\* 7/2008 Cowperthwaite ..... 280/282  
2008/0179850 A1 7/2008 Catelli  
2010/0148460 A1\* 6/2010 Nelson et al. .... 280/87.021

## FOREIGN PATENT DOCUMENTS

JP 2000142526 5/2000

\* cited by examiner

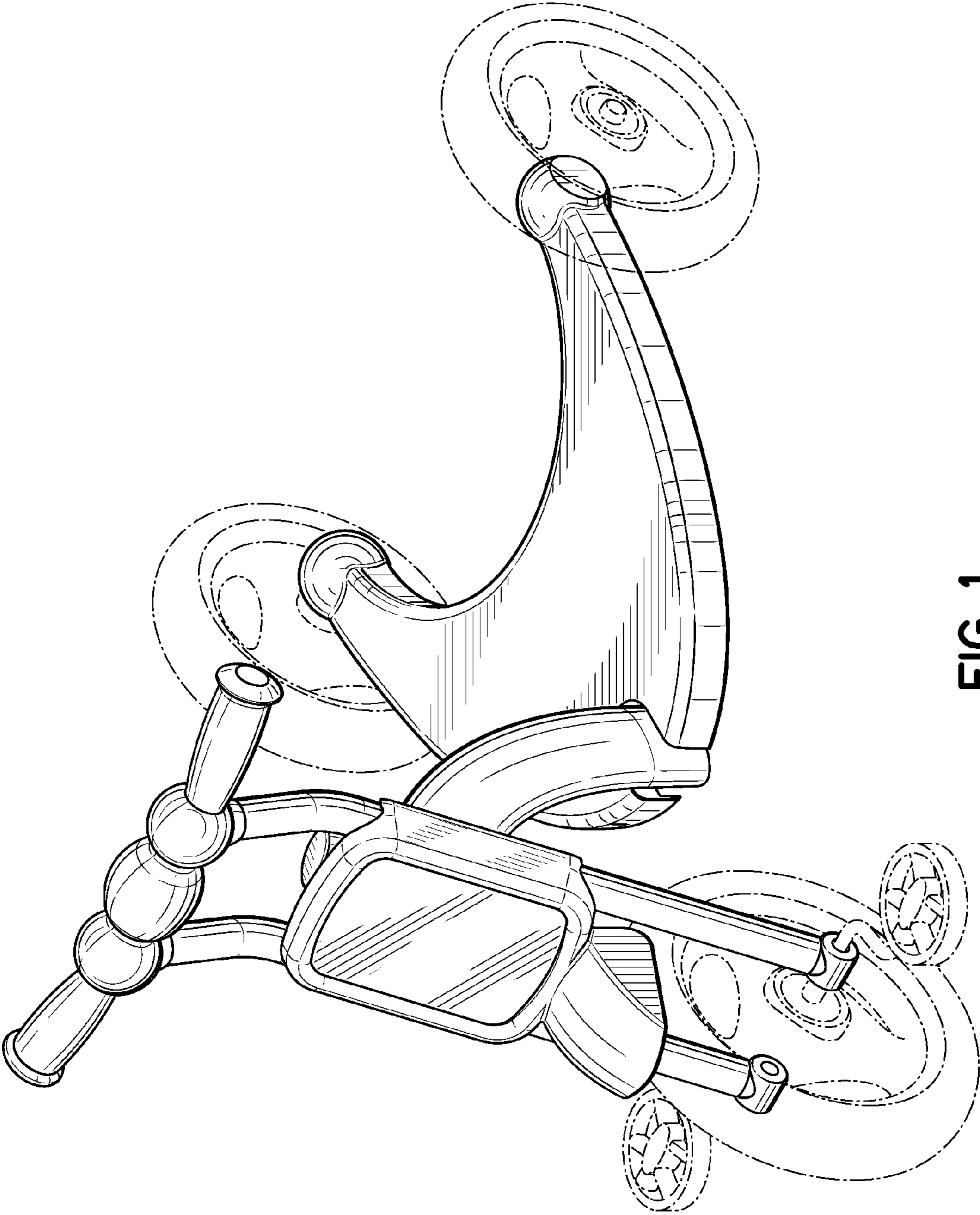


FIG. 1

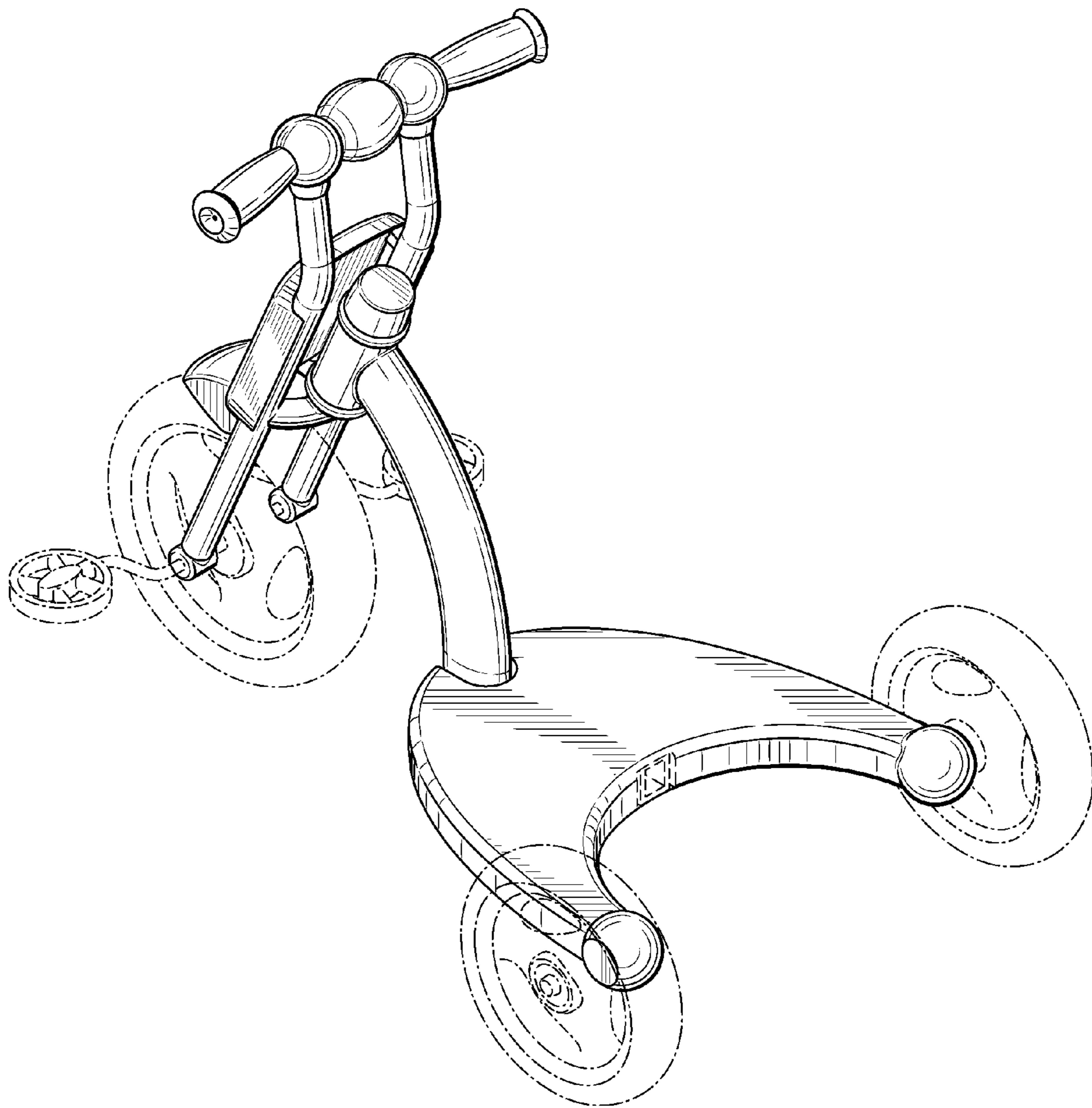


FIG. 2

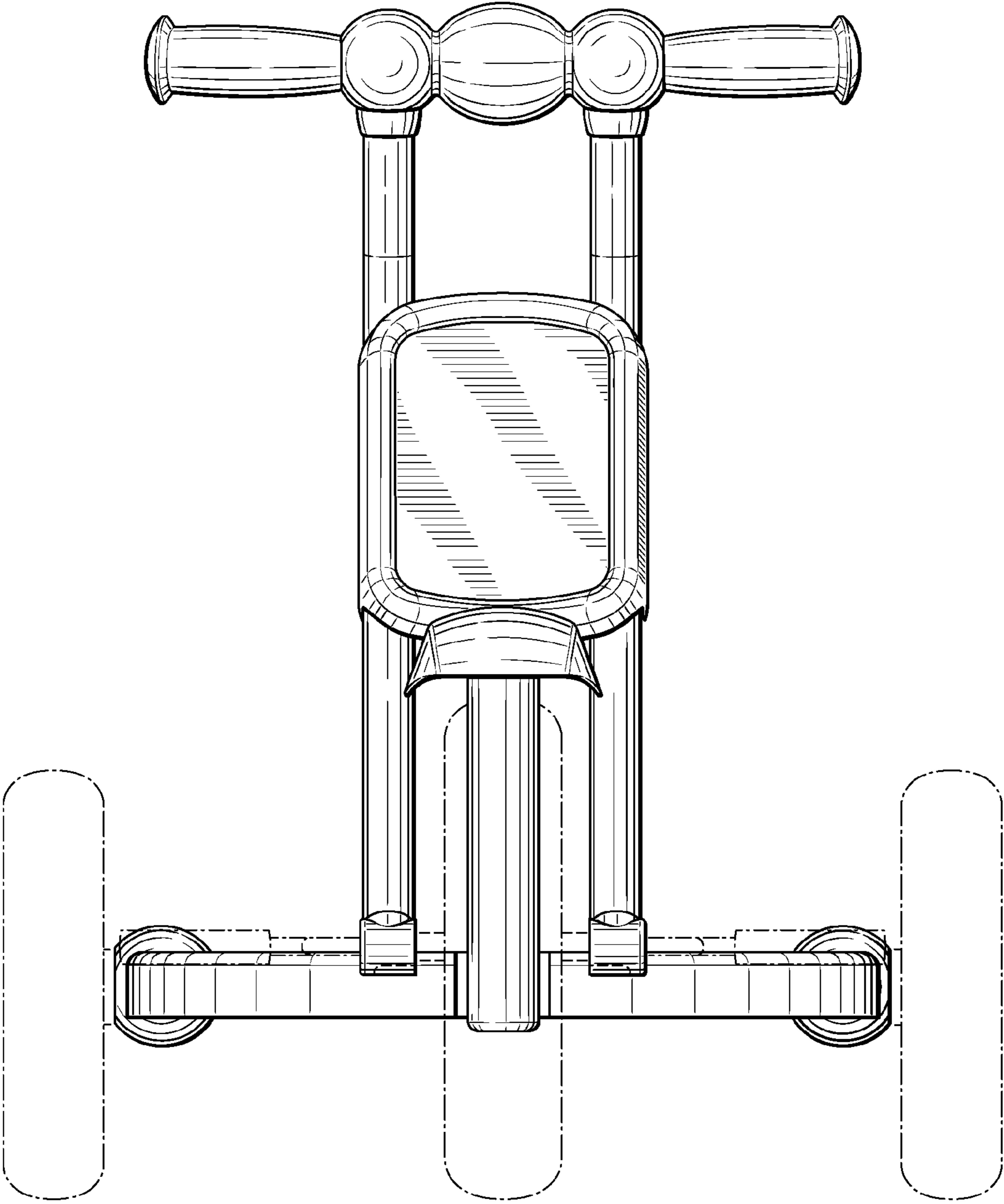


FIG. 3

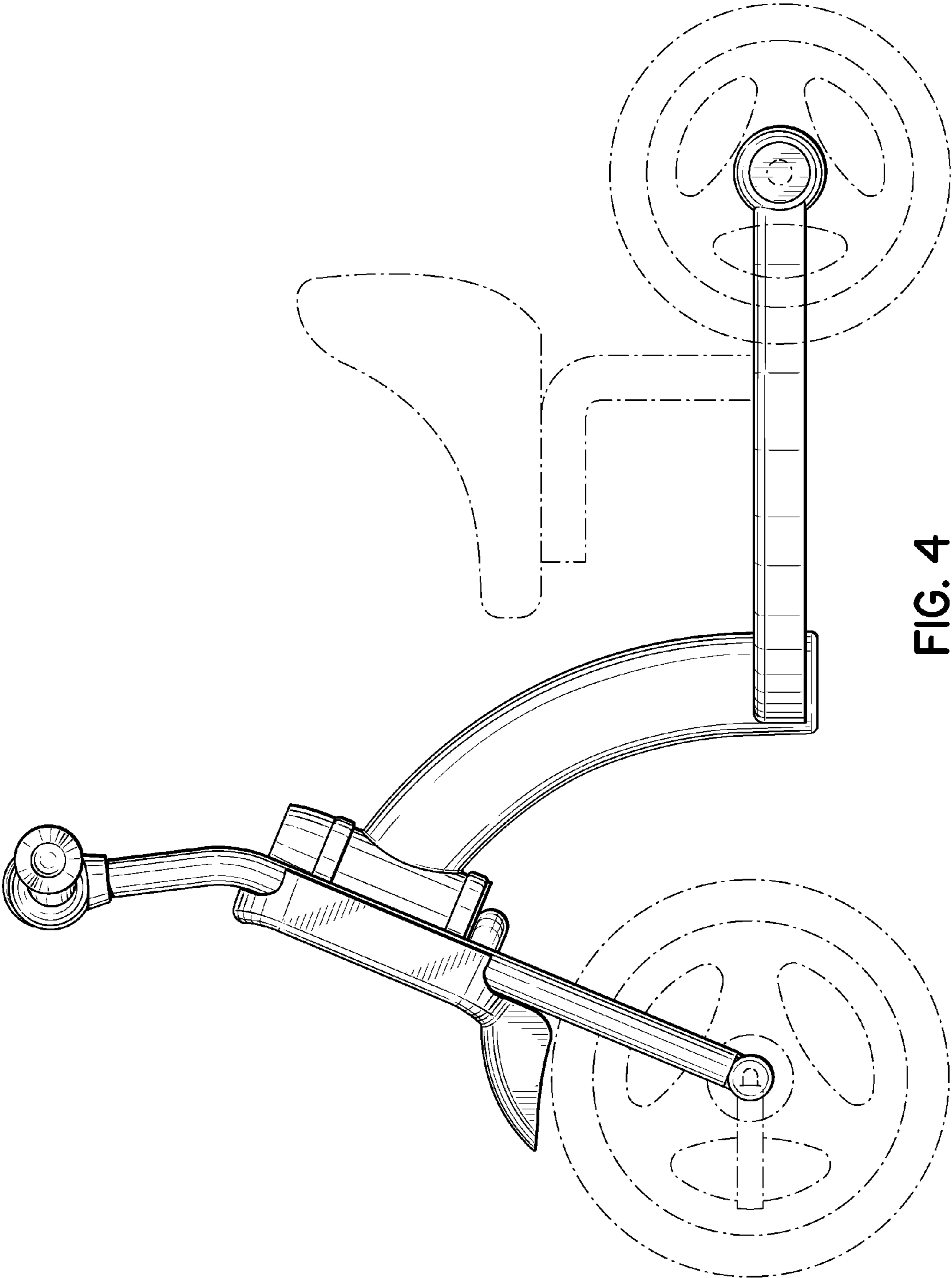


FIG. 4

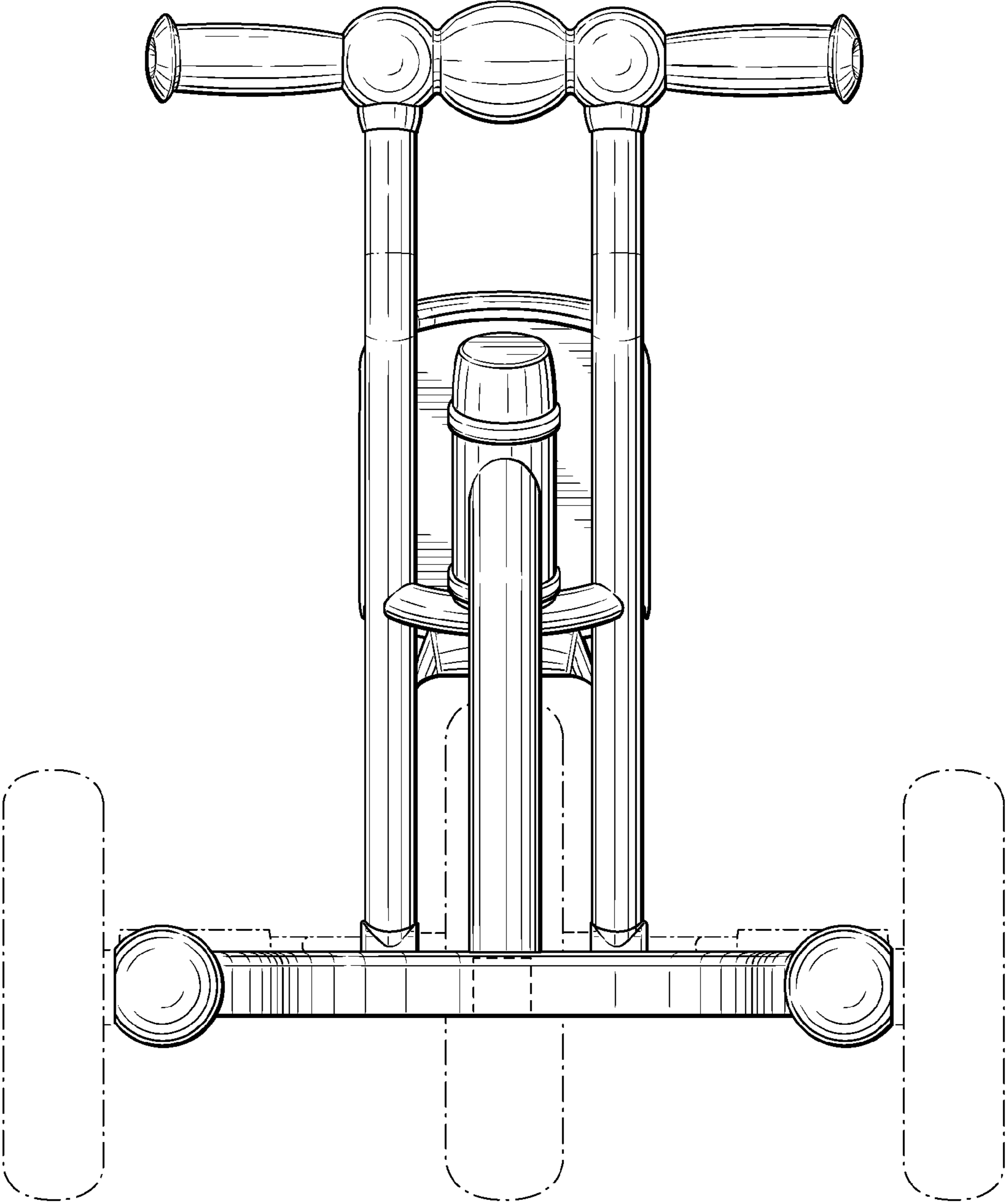


FIG. 5

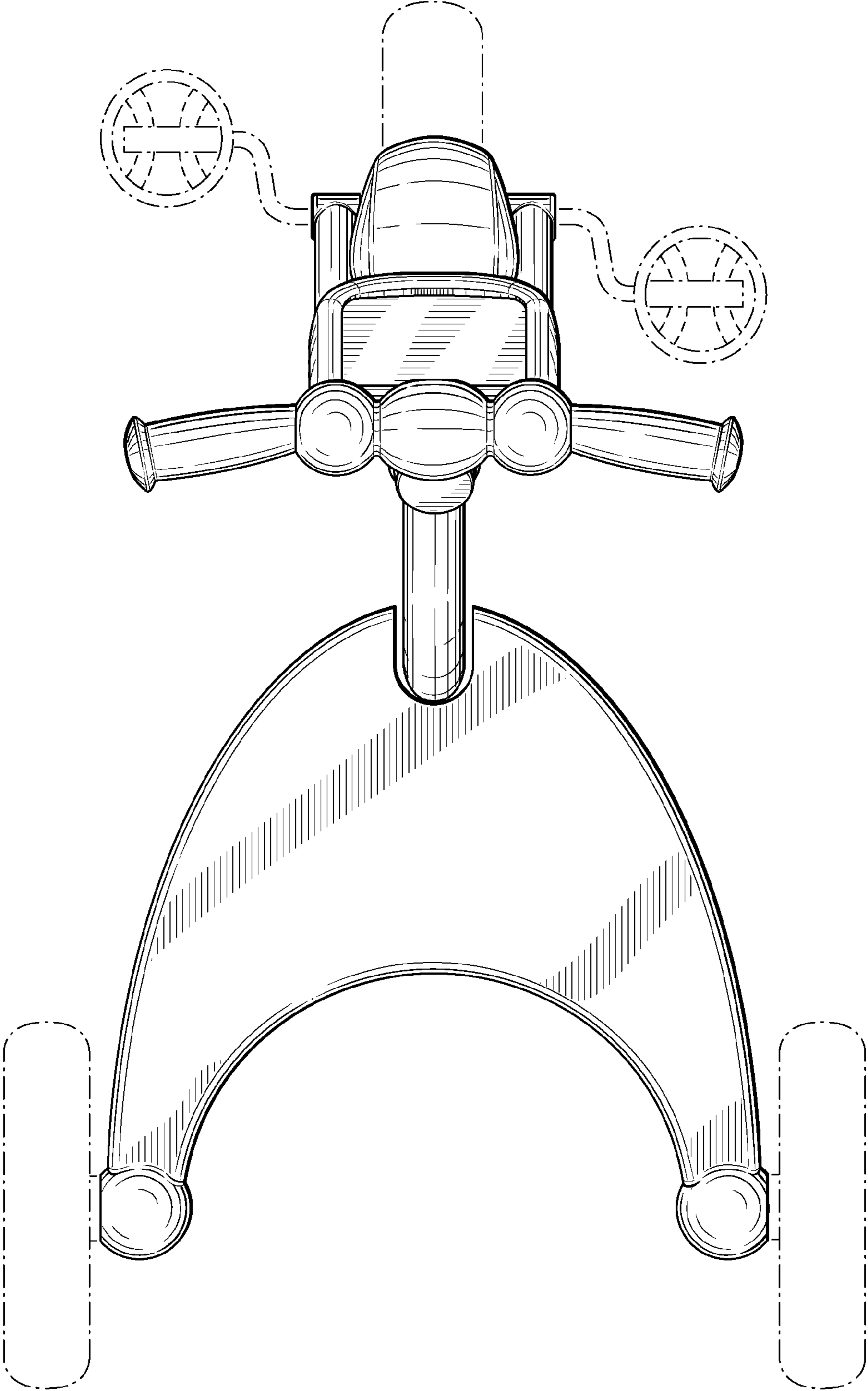


FIG. 6



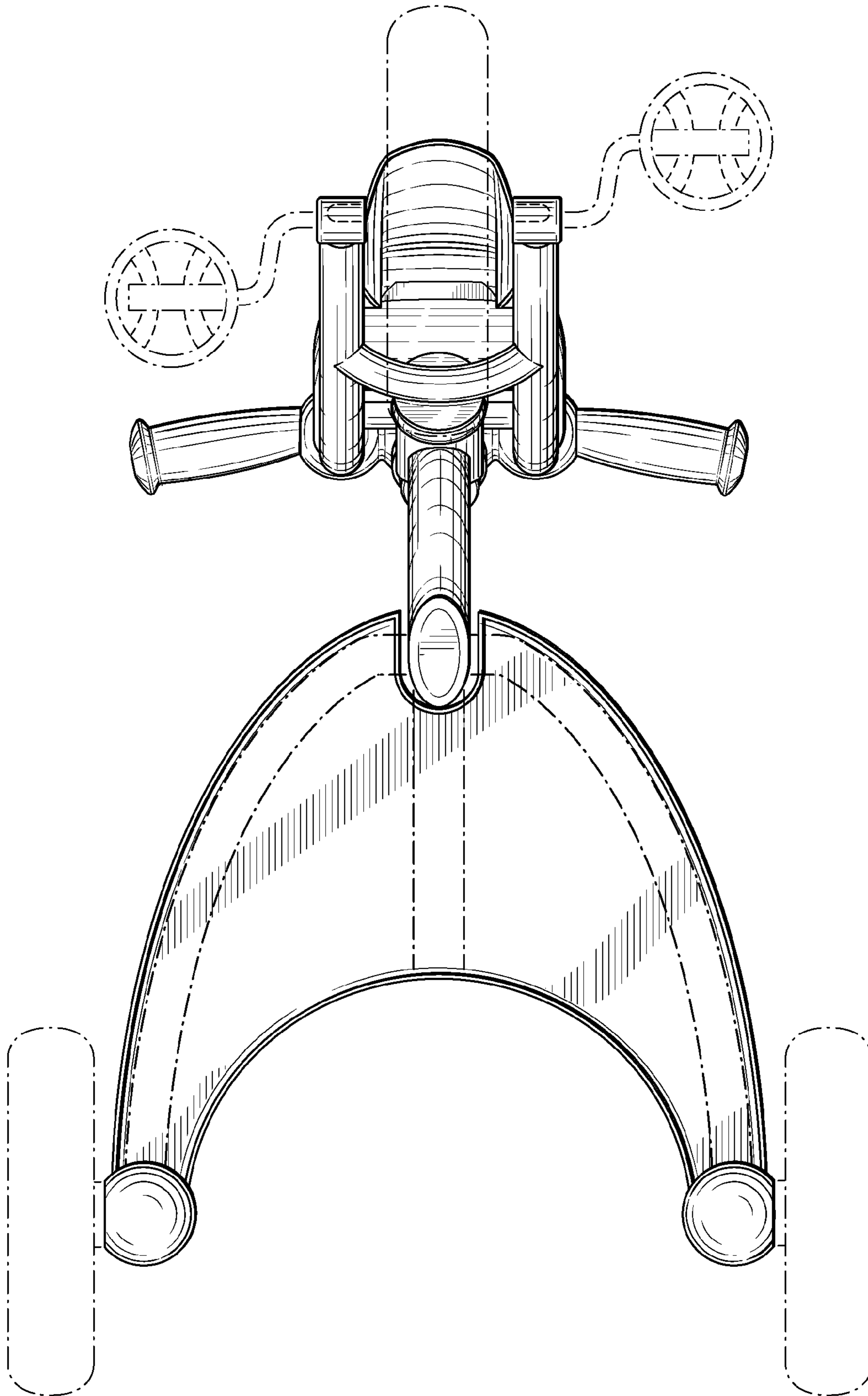


FIG. 7