



US00D630145S

(12) **United States Design Patent**  
**Finnie**

(10) **Patent No.:** **US D630,145 S**  
(45) **Date of Patent:** **\*\* Jan. 4, 2011**

(54) **WHEEL WITH 5 CURVED SPLIT SPOKES**

(75) Inventor: **Mark Finnie**, La Palma, CA (US)

(73) Assignee: **Performance Machine, Inc.**, La Palma, CA (US)

(\*\*) Term: **14 Years**

(21) Appl. No.: **29/367,402**

(22) Filed: **Aug. 6, 2010**

(51) **LOC (9) Cl.** ..... **12-16**

(52) **U.S. Cl.** ..... **D12/209**

(58) **Field of Classification Search** ..... D12/204–213;  
301/37.101, 64.101, 65, 64.201

See application file for complete search history.

(56) **References Cited**

**U.S. PATENT DOCUMENTS**

D458,571 S *	6/2002	Maifrini	.....	D12/209
D458,572 S *	6/2002	Fitzgerald	.....	D12/209
D460,037 S *	7/2002	Takechi	.....	D12/211
D478,307 S *	8/2003	Maifrini	.....	D12/211
D490,760 S	6/2004	Sands		
D493,763 S	8/2004	Sands		
D494,119 S	8/2004	Sands		
D494,122 S	8/2004	Sands		
D495,284 S	8/2004	Sands		
D513,487 S *	1/2006	Wachtler	.....	D12/209
D514,047 S	1/2006	Sands		
D514,048 S	1/2006	Sands		

D514,051 S	1/2006	Sands		
D524,220 S *	7/2006	Scheu	.....	D12/211
D530,259 S	10/2006	Sands		
D531,952 S	11/2006	Sands		
D533,826 S *	12/2006	Scheu	.....	D12/211
D537,400 S	2/2007	Sands		
D539,205 S *	3/2007	Hosoi	.....	D12/211
D540,238 S *	4/2007	Sycha	.....	D12/209
D542,207 S *	5/2007	Gauffres	.....	D12/211
D549,632 S	8/2007	Sands		
D581,853 S *	12/2008	Rak	.....	D12/211
D609,623 S *	2/2010	Gallert	.....	D12/209
D623,115 S *	9/2010	Juergens et al.	.....	D12/211

\* cited by examiner

*Primary Examiner*—Stacia Cadmus

(74) *Attorney, Agent, or Firm*—David Pressman

(57) **CLAIM**

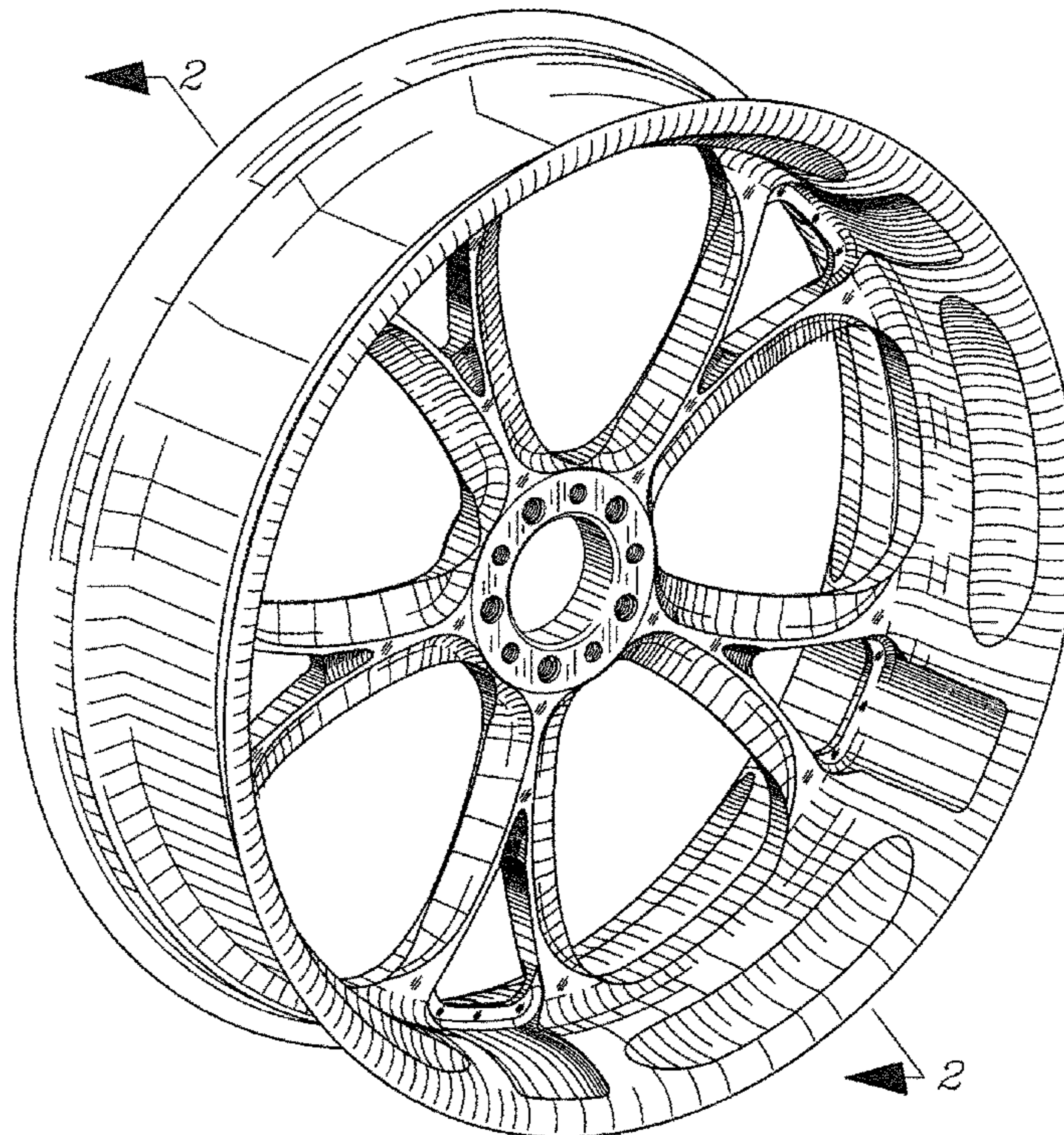
The ornamental design for a wheel with 5 curved split spokes, as shown and described.

**DESCRIPTION**

FIG. 1 is a perspective view of the front or outer side of my wheel with 5 curved split spokes taken from slightly above and to one side. The reverse or inner side of the wheel is identical to the front side; and,

FIG. 2 is an cross-sectional view of the wheel of FIG. 1 taken along the lines 2—2 of FIG. 1.

**1 Claim, 2 Drawing Sheets**



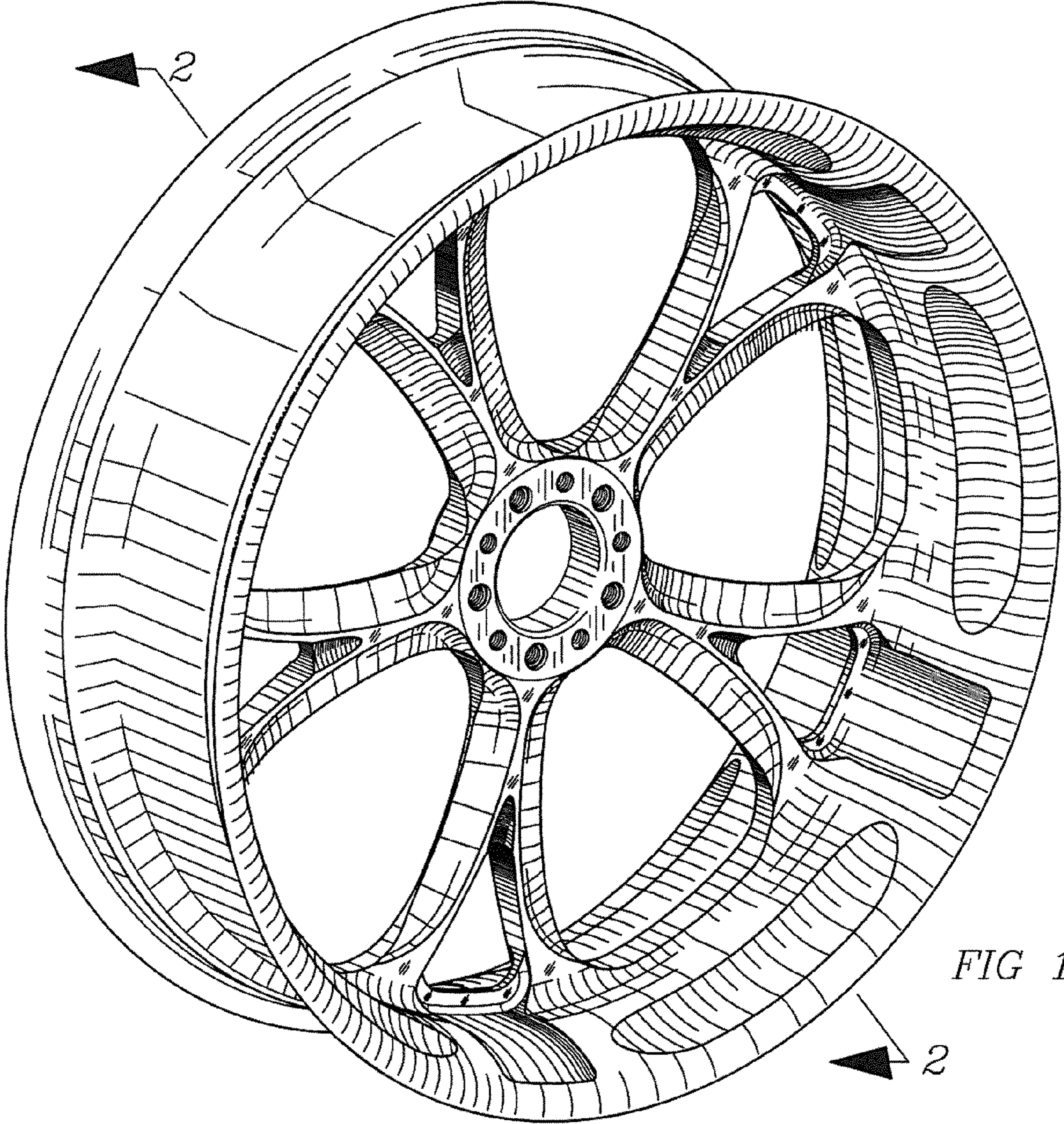


FIG 1

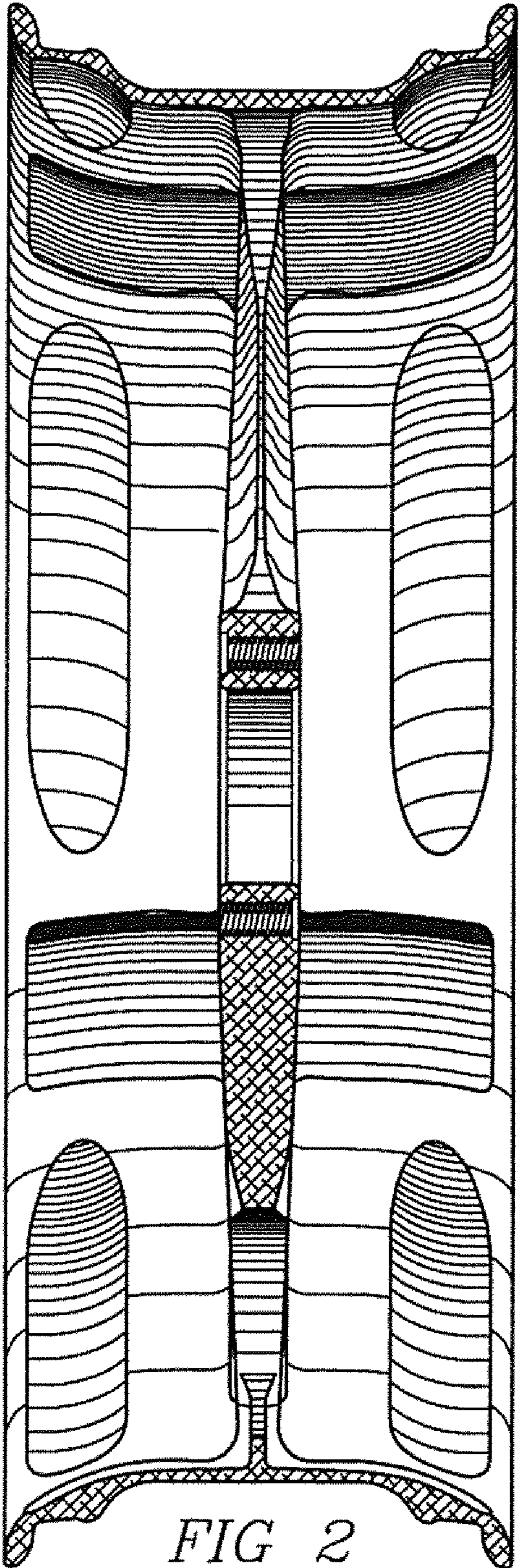


FIG 2