



US00D630141S

(12) **United States Design Patent**  
**Chen**

(10) **Patent No.:** **US D630,141 S**

(45) **Date of Patent:** **\*\* Jan. 4, 2011**

(54) **DISC BRAKE CALIPER**

(76) Inventor: **Der-San Chen**, No. 41, Jianye Rd.,  
Erzhen Vil., Guantian Township, Tainan  
County 720 (TW)

(\*\*) Term: **14 Years**

(21) Appl. No.: **29/359,200**

(22) Filed: **Apr. 7, 2010**

(51) **LOC (9) Cl.** ..... **12-16**

(52) **U.S. Cl.** ..... **D12/180**

(58) **Field of Classification Search** ..... D12/180;  
188/71.1, 73.3, 73.31-73.39, 72.2, 72.4,  
188/73.41-73.46, 218 XL, 370, 1.11 W, 264 A,  
188/264 AA

See application file for complete search history.

(56) **References Cited**

U.S. PATENT DOCUMENTS

D442,900 S *	5/2001	Separautzki	.....	D12/180
D508,000 S *	8/2005	Schorn et al.	.....	D12/180
D522,420 S *	6/2006	Crippa et al.	.....	D12/180
D523,794 S *	6/2006	Strumbo et al.	.....	D12/180
D555,555 S *	11/2007	Ikuzawa et al.	.....	D12/180
D556,103 S *	11/2007	Morimoto	.....	D12/180
7,331,430 B2 *	2/2008	Valvano et al.	.....	188/71.5

D588,513 S *	3/2009	Crippa et al.	.....	D12/180
D600,613 S *	9/2009	Jungmann et al.	.....	D12/180
D607,793 S *	1/2010	Maroni et al.	.....	D12/180
D610,059 S *	2/2010	Azimonti	.....	D12/180
D610,507 S *	2/2010	Azimonti	.....	D12/180
D623,102 S *	9/2010	Gherardi et al.	.....	D12/180

\* cited by examiner

*Primary Examiner*—Melody N Brown

(74) *Attorney, Agent, or Firm*—Pro-Techtor Int'l Services;  
Ralph Willgohs

(57) **CLAIM**

The ornamental design for a disc brake caliper, as shown and described.

**DESCRIPTION**

FIG. 1 is a perspective view of a disc brake caliper showing my new design;

FIG. 2 is a top plan view thereof;

FIG. 3 is a bottom plan view thereof; and

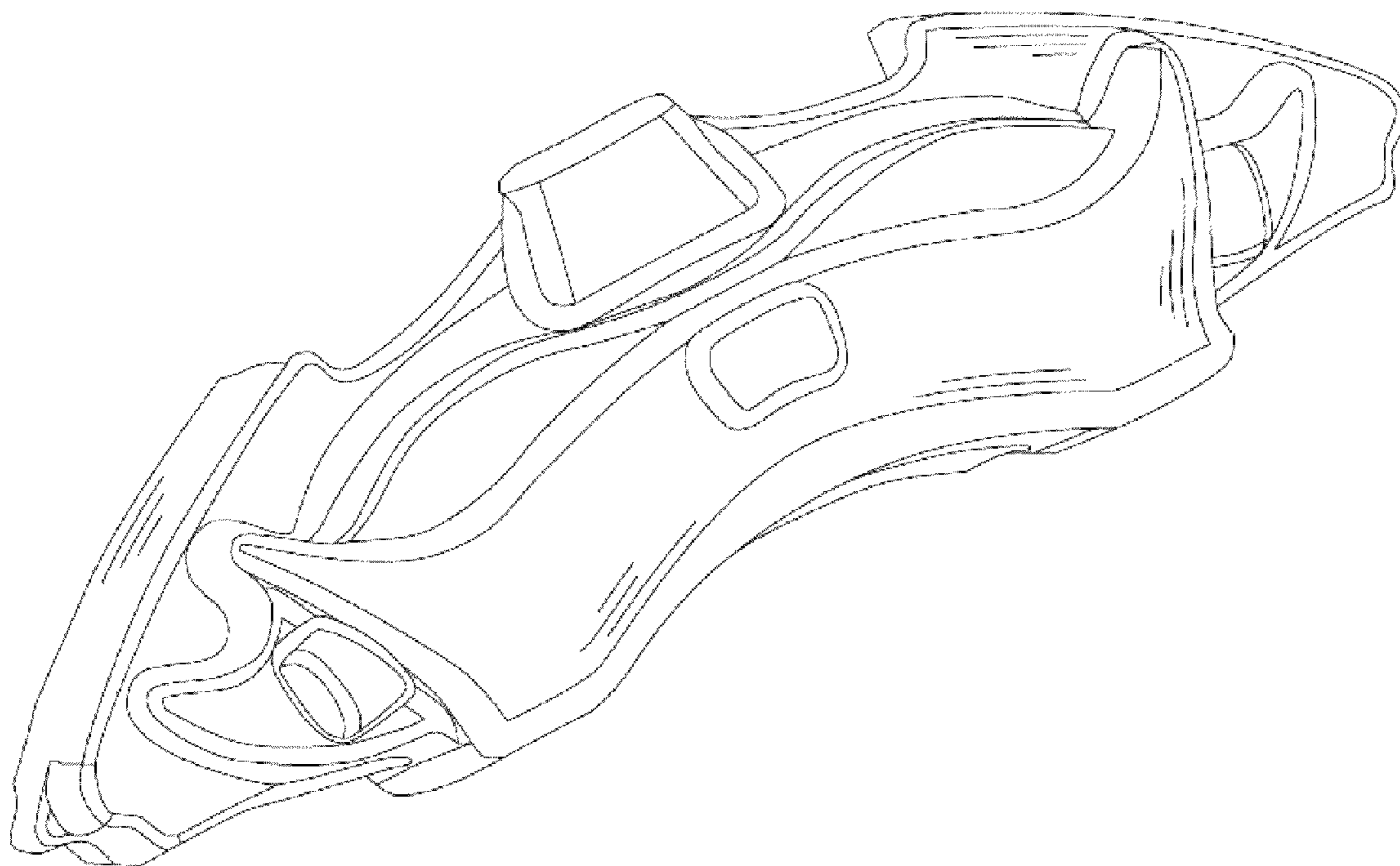
FIG. 4 is a left side elevational view thereof;

FIG. 5 is a right side elevational view thereof;

FIG. 6 is a front elevational view thereof; and,

FIG. 7 is a rear elevational view thereof.

**1 Claim, 4 Drawing Sheets**



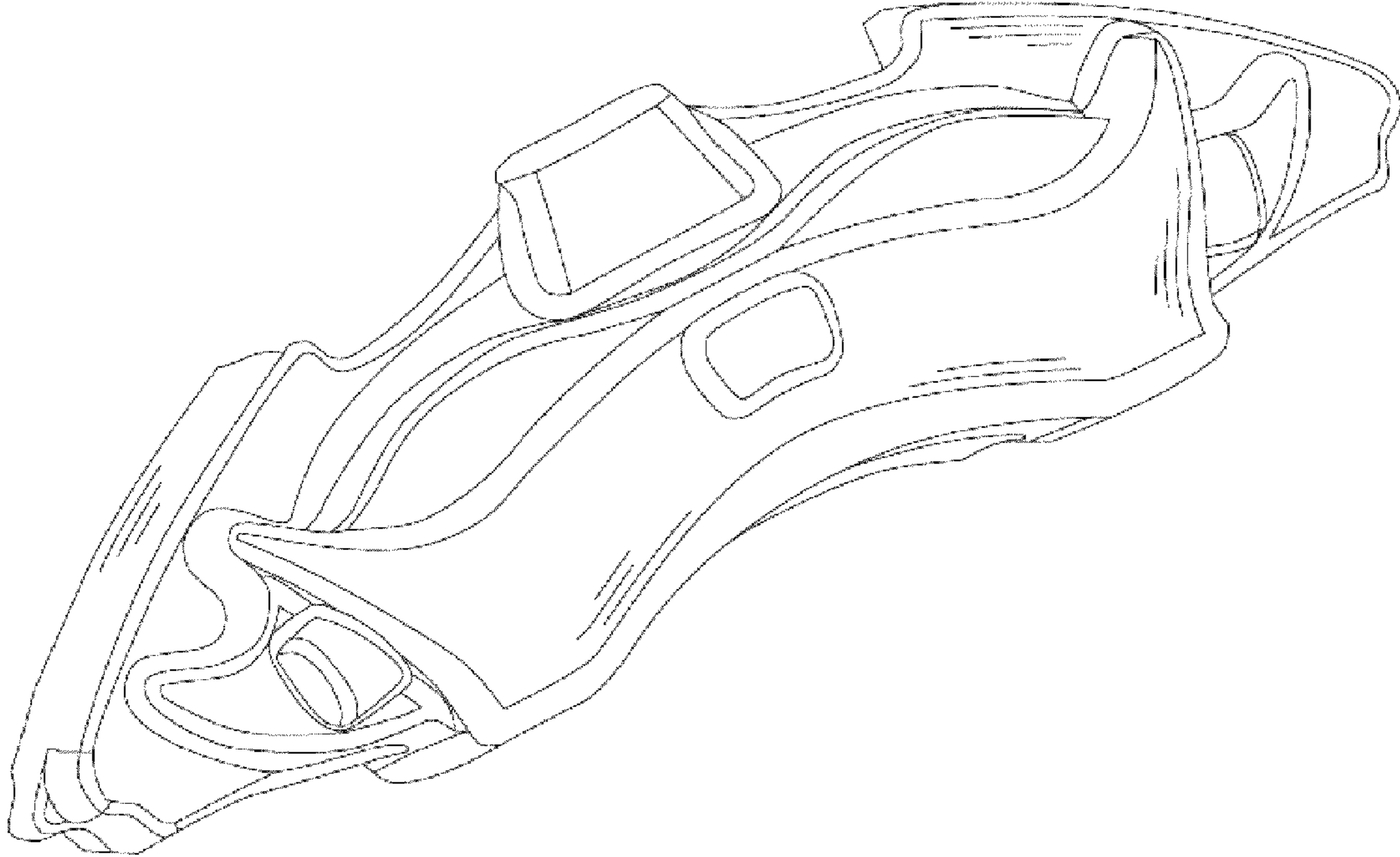


FIG 1

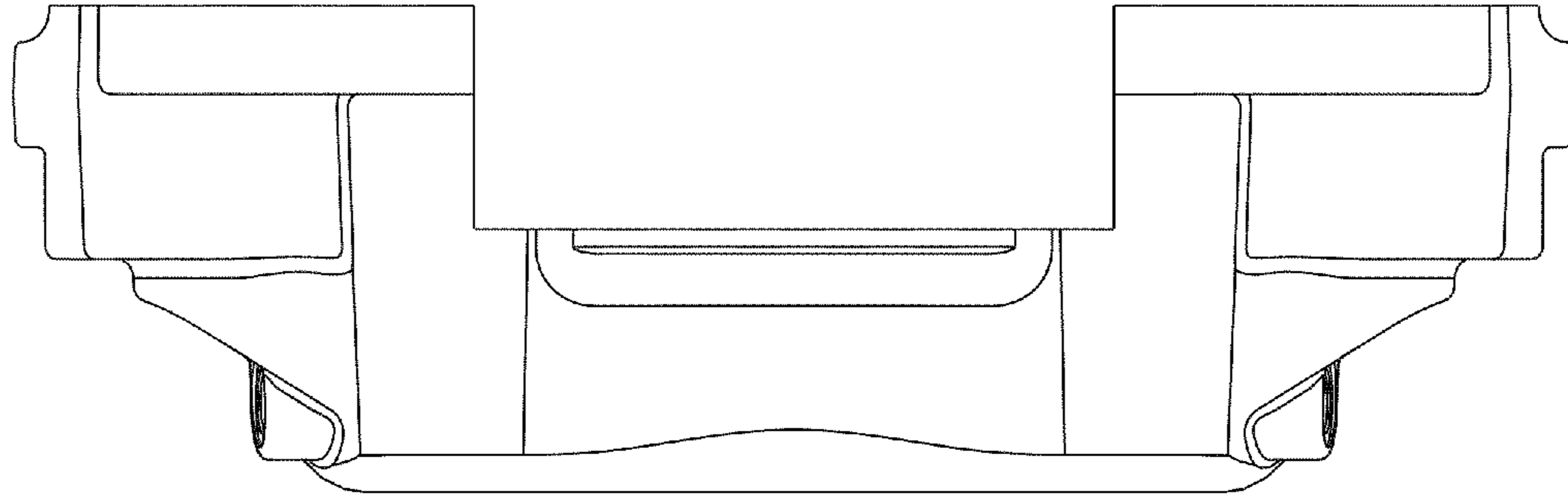


FIG 2

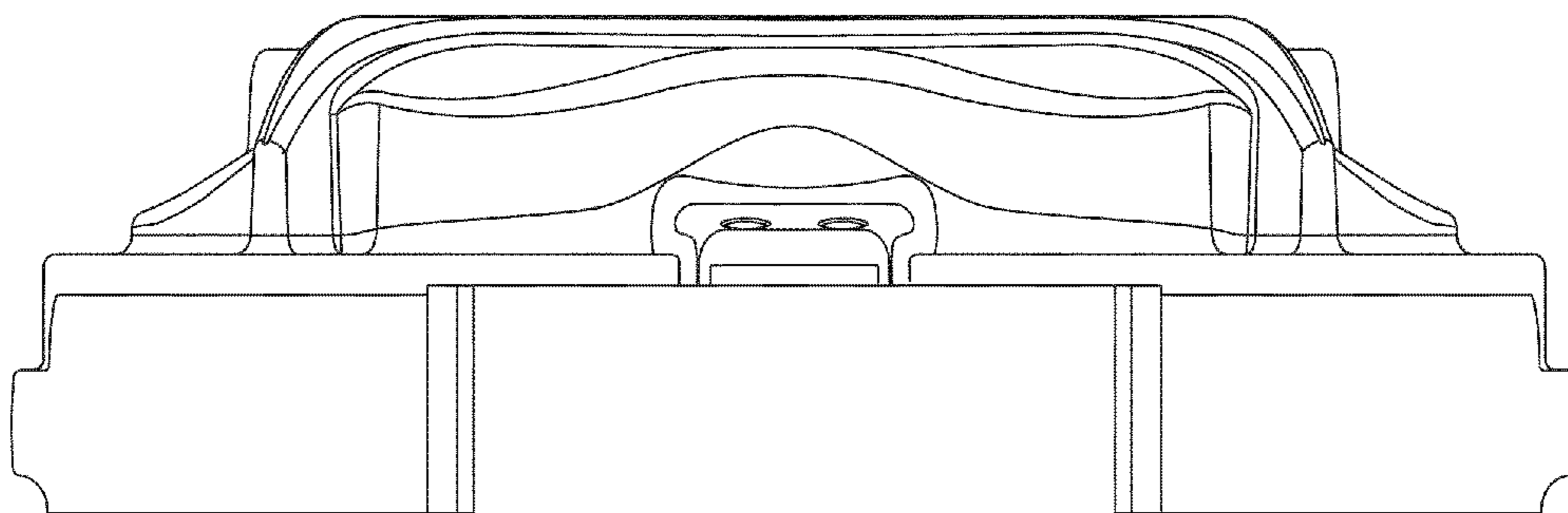


FIG 3

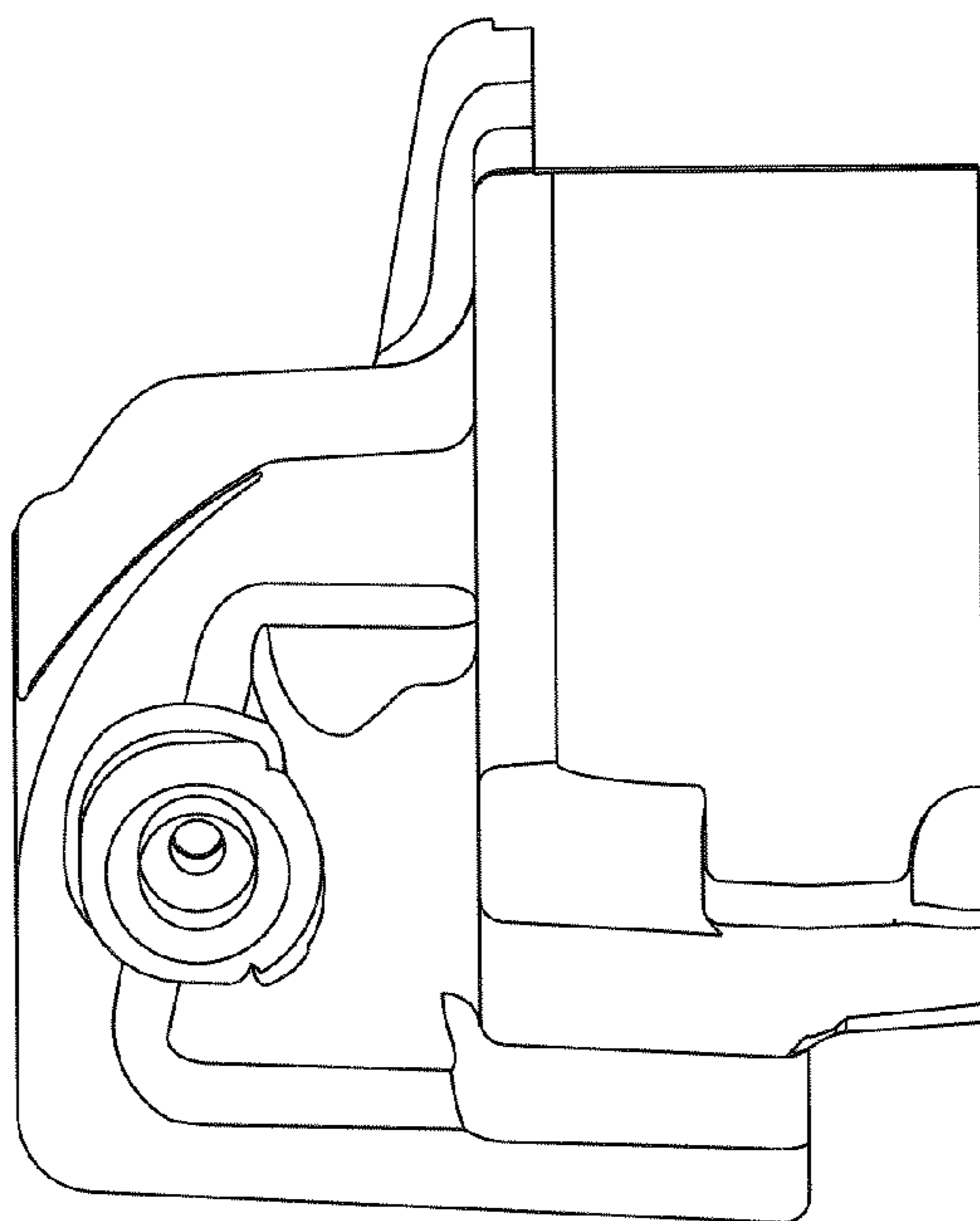


FIG 4

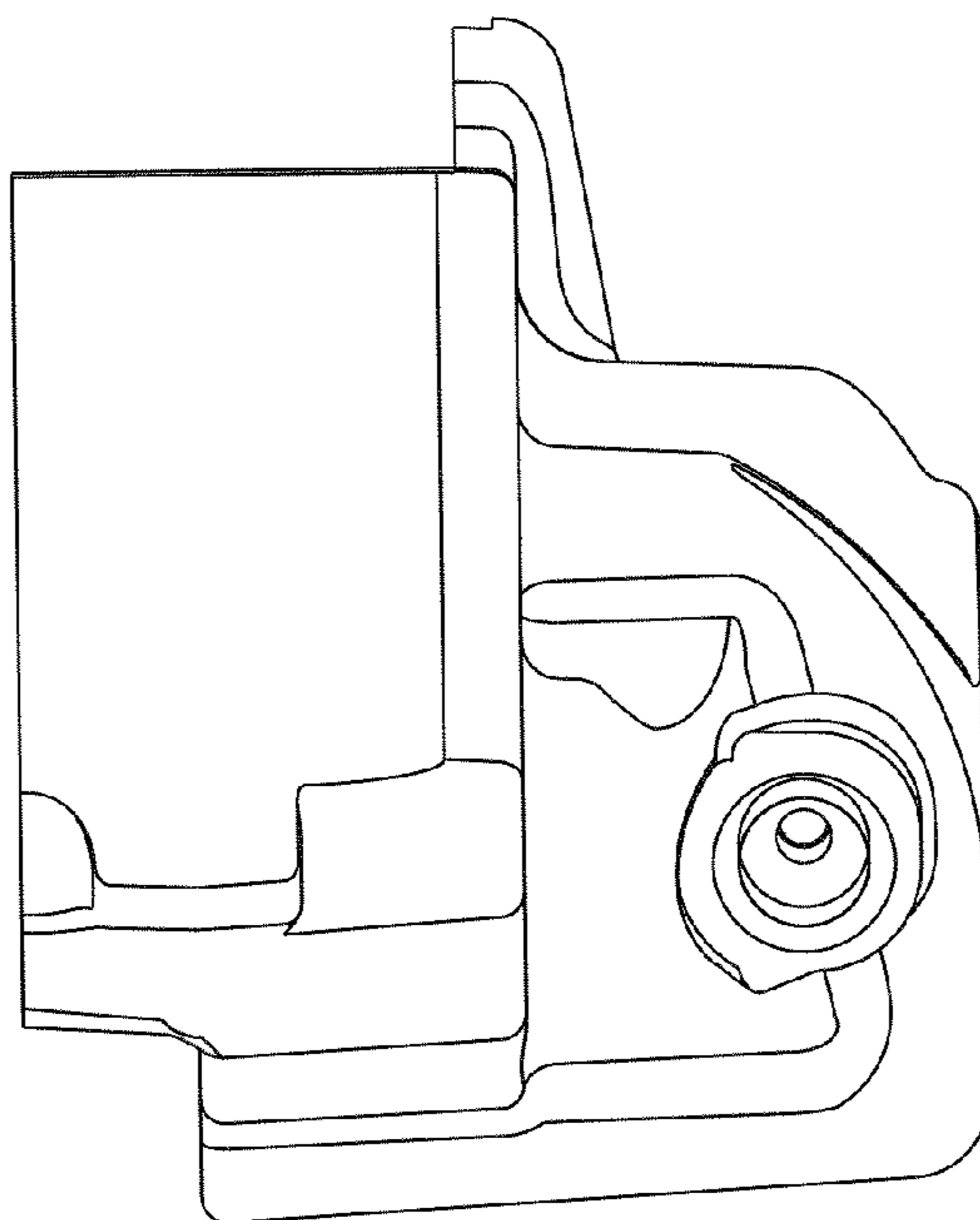


FIG 5

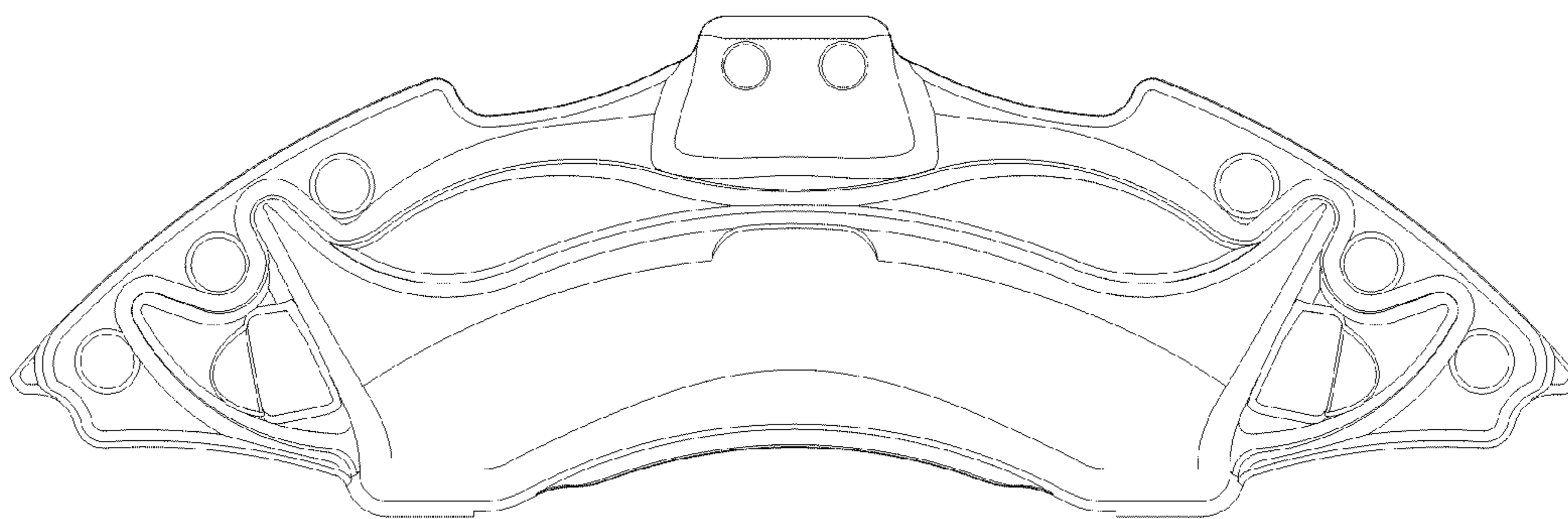


FIG 6

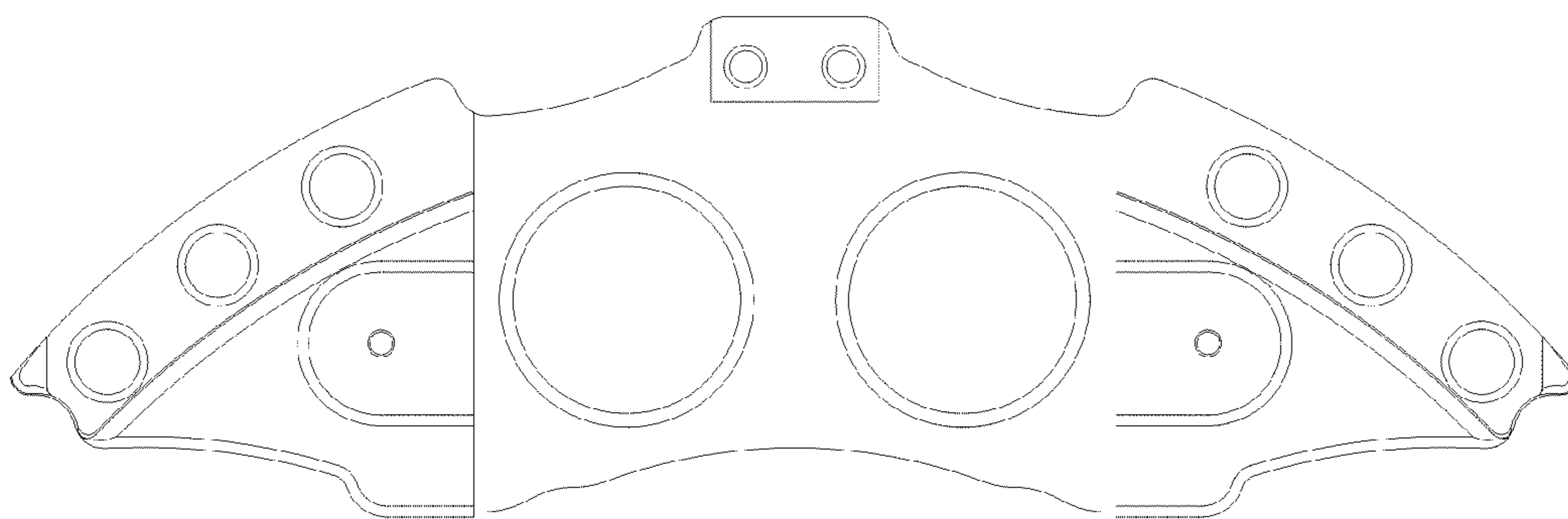


FIG 7