



US00D630134S

(12) **United States Design Patent**  
**McCoy**

(10) **Patent No.:** **US D630,134 S**

(45) **Date of Patent:** **\*\* Jan. 4, 2011**

(54) **BODY FOR A MOTORIZED TRICYCLE**

(75) Inventor: **Alan Dean McCoy**, Spearfish, SD (US)

(73) Assignee: **Lehman Trikes U.S.A., Inc.**, Spearfish, SD (US)

(\*\*) Term: **14 Years**

(21) Appl. No.: **29/354,117**

(22) Filed: **Jan. 20, 2010**

(51) **LOC (9) Cl.** ..... **12-11**

(52) **U.S. Cl.** ..... **D12/110**

(58) **Field of Classification Search** ..... D12/110,  
D12/107, 112, 85; 280/202, 288.2, 282;  
180/16, 210-217, 219, 220, 311, 312; 296/77.1,  
296/78.1

See application file for complete search history.

(56) **References Cited**

**U.S. PATENT DOCUMENTS**

D384,626 S	10/1997	Lehman et al.	
D427,943 S	7/2000	Lehman et al.	
D479,160 S *	9/2003	Hyndman et al. ....	D12/110
D502,893 S *	3/2005	Matthies .....	D12/110
D512,344 S *	12/2005	Matthies .....	D12/110
D528,046 S *	9/2006	Stritchuk et al. ....	D12/110
D528,475 S *	9/2006	Strilchuk et al. ....	D12/110
D547,241 S *	7/2007	Dornbusch .....	D12/110
D596,993 S *	7/2009	Matthies .....	D12/110

**FOREIGN PATENT DOCUMENTS**

CA	D98757	6/2003
CA	D102918	5/2004

\* cited by examiner

*Primary Examiner*—Philip S Hyder  
*Assistant Examiner*—Linda G. Brooks

(74) *Attorney, Agent, or Firm*—Davis & Bujold, P.L.L.C.

(57) **CLAIM**

The ornamental design for a body for a motorized tricycle, as shown and described.

**DESCRIPTION**

FIG. 1 is a perspective view of the body for a motorized tricycle.

FIG. 2 is a side elevation view of the body for a motorized tricycle.

FIG. 3 is a rear elevation view of the body for a motorized tricycle.

FIG. 4 is a front elevation view of the body for a motorized tricycle.

FIG. 5 is a top plan view of the body for a motorized tricycle.

FIG. 6 is a side elevation view of the body for a motorized tricycle installed on a motorized tricycle.

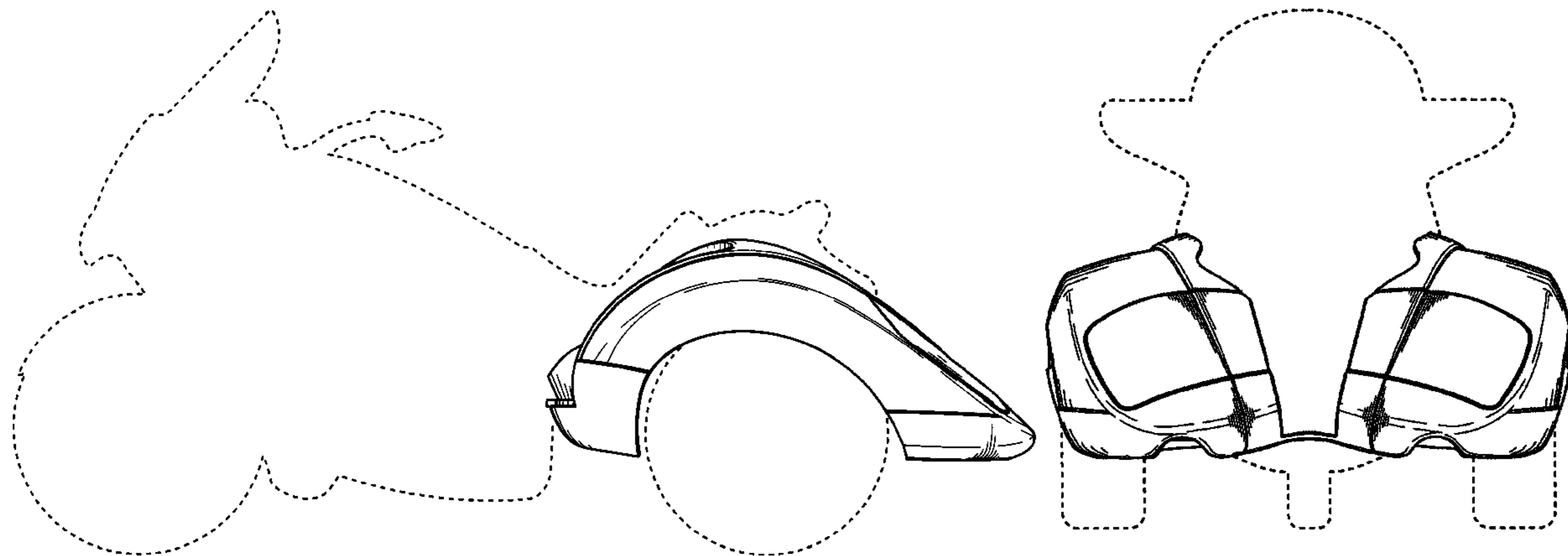
FIG. 7 is a rear elevation view of the body for a motorized tricycle installed on a motorized tricycle.

FIG. 8 is a front elevation view of the body for a motorized tricycle installed on a motorized tricycle; and,

FIG. 9 is a top plan view of the body for a motorized tricycle installed on a motorized tricycle.

The broken lines illustrate environmental structure that forms no part of the claimed designed.

**1 Claim, 9 Drawing Sheets**



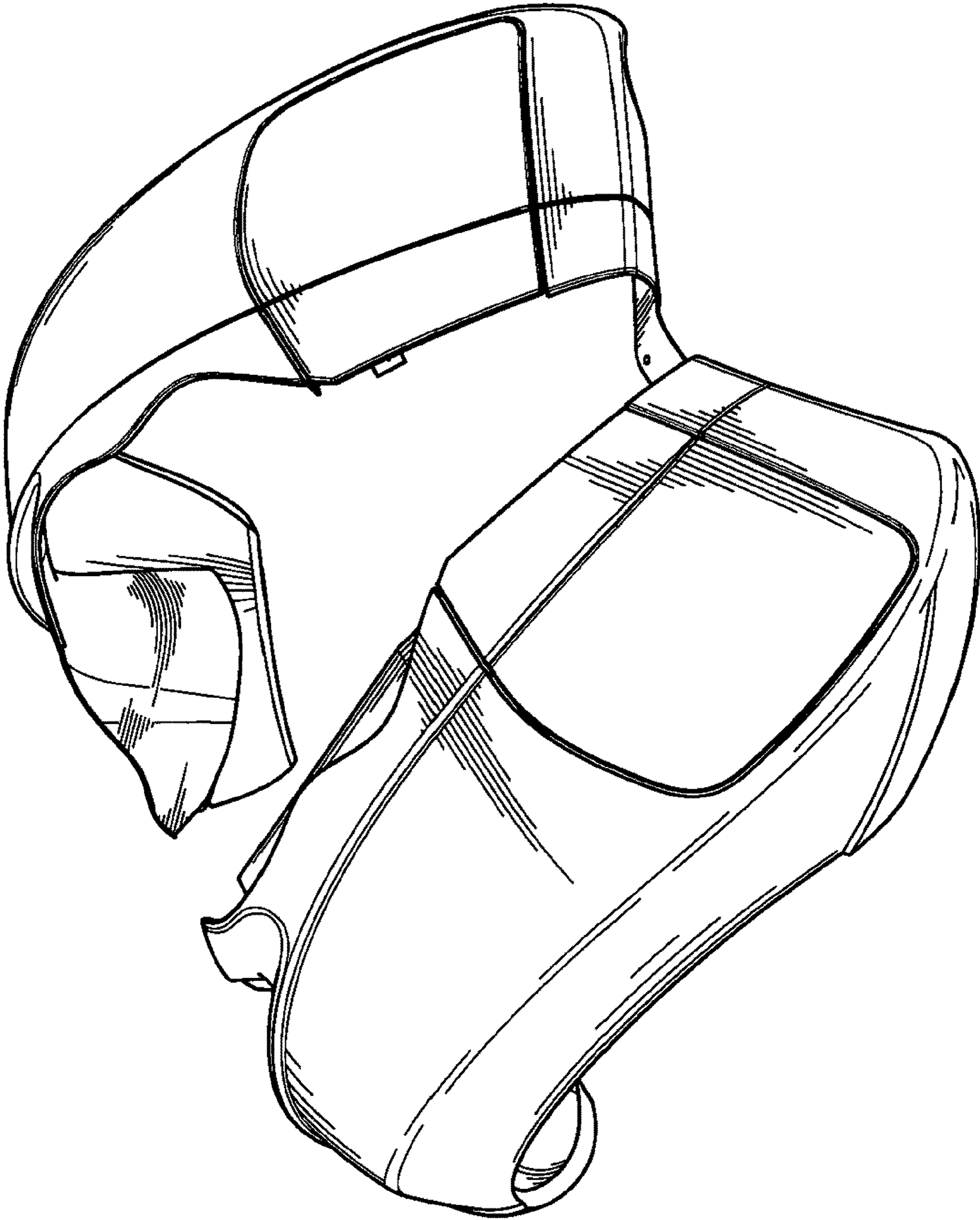


FIG. 1

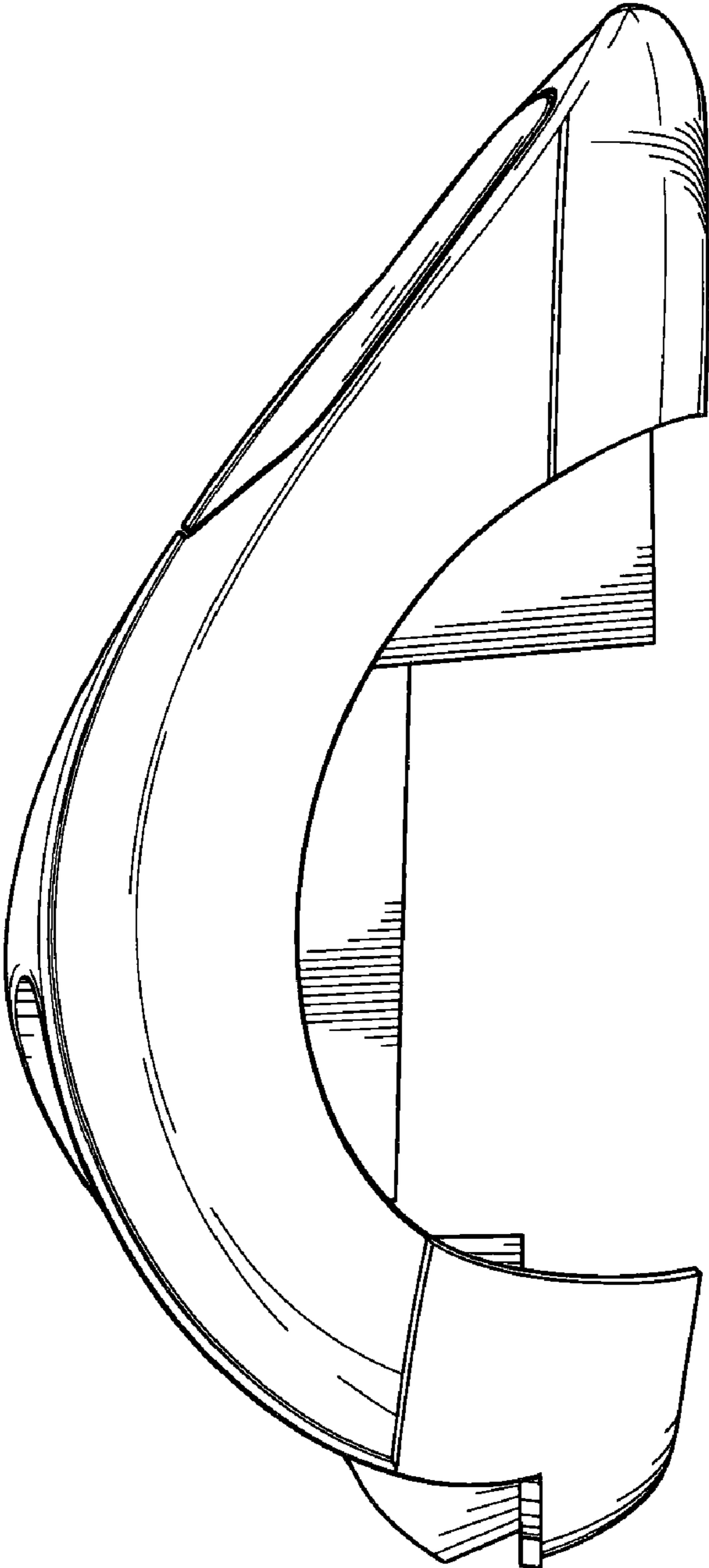
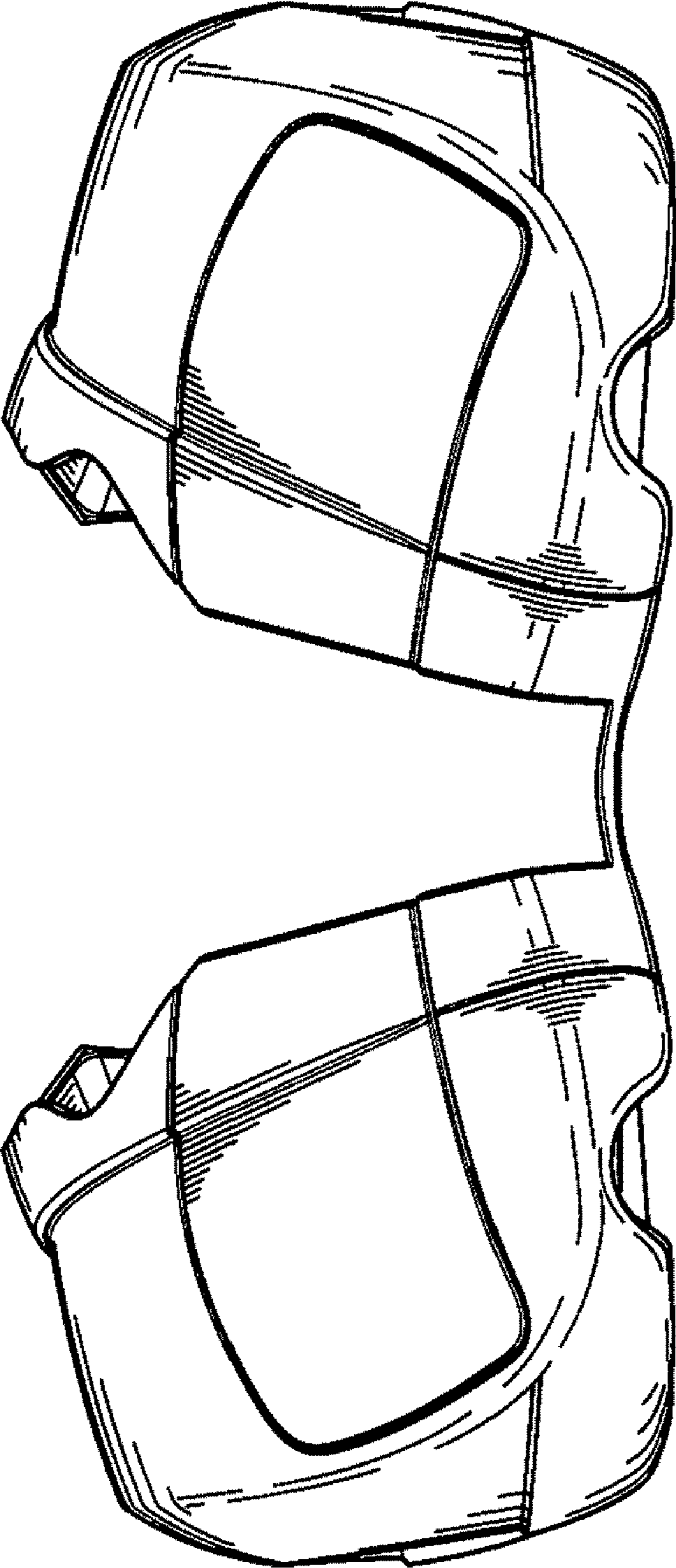


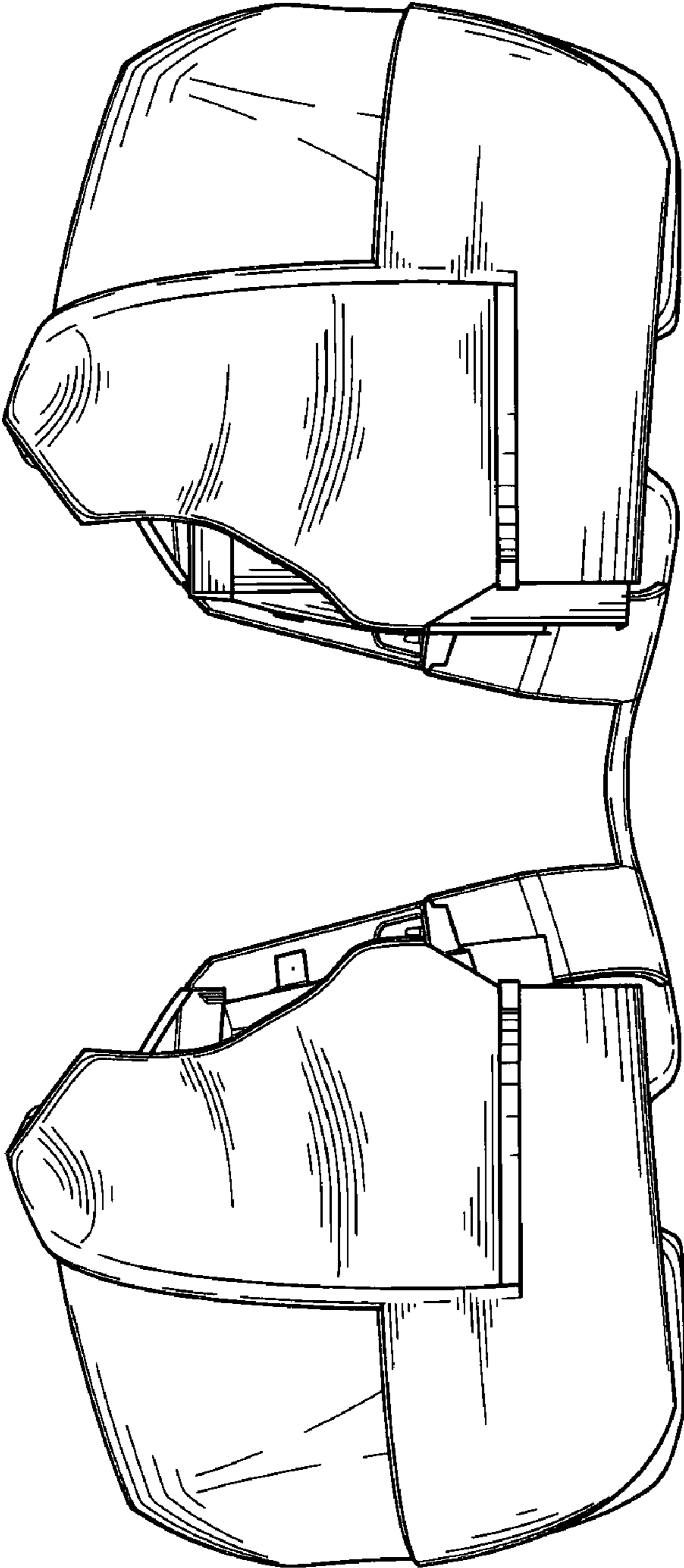
FIG. 2

**FIG. 3**





**FIG. 4**



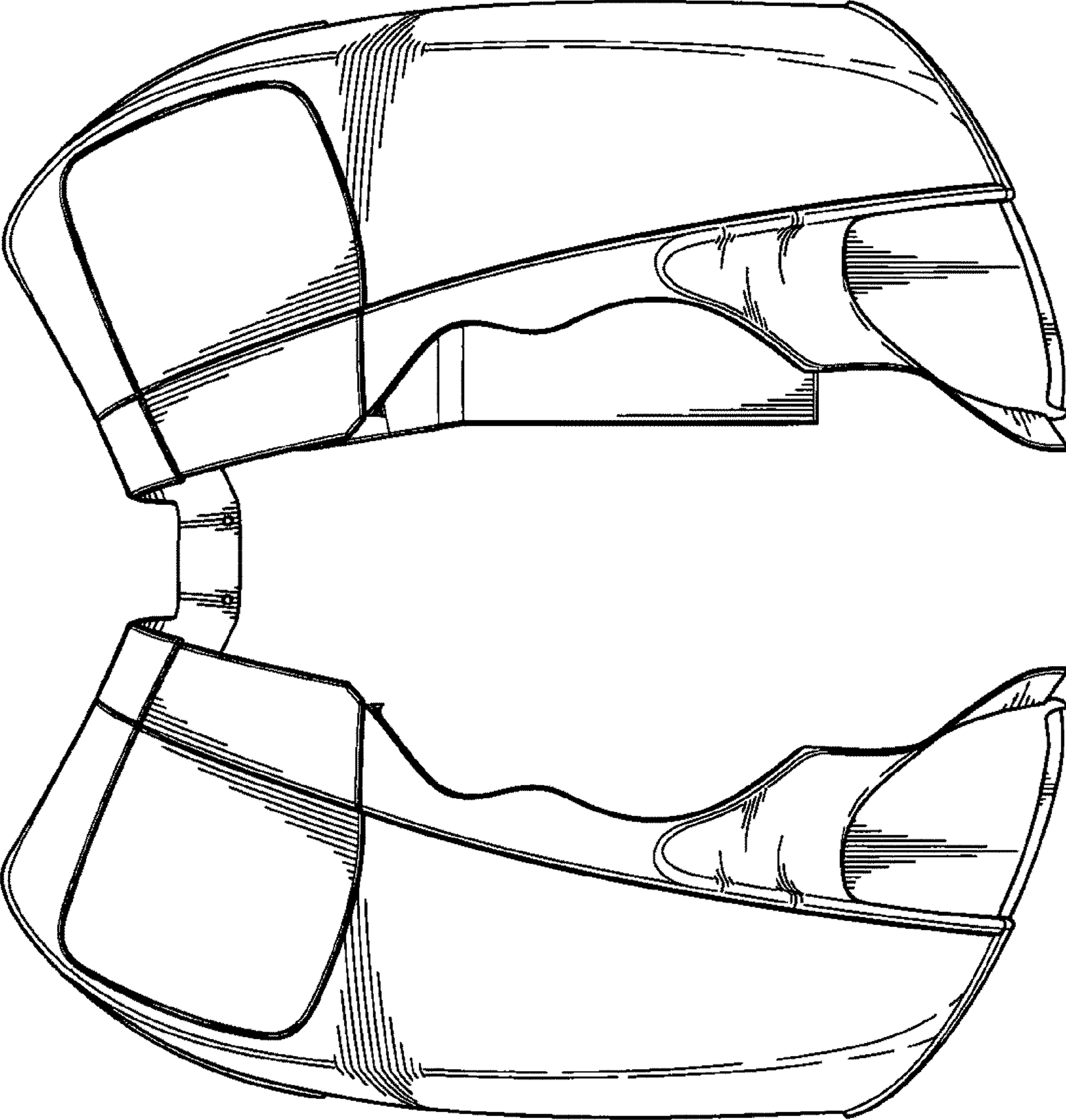


FIG. 5

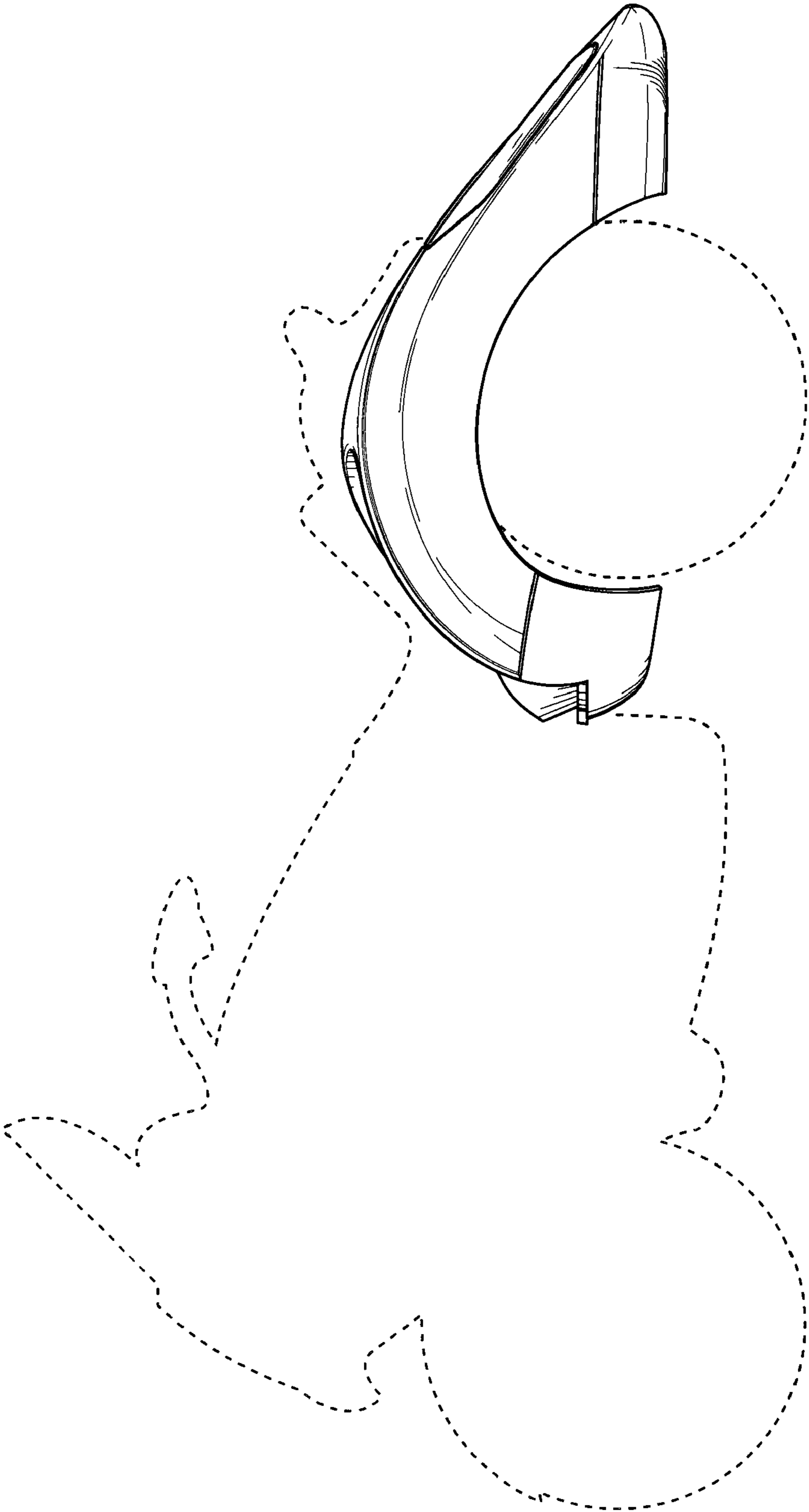


FIG. 6

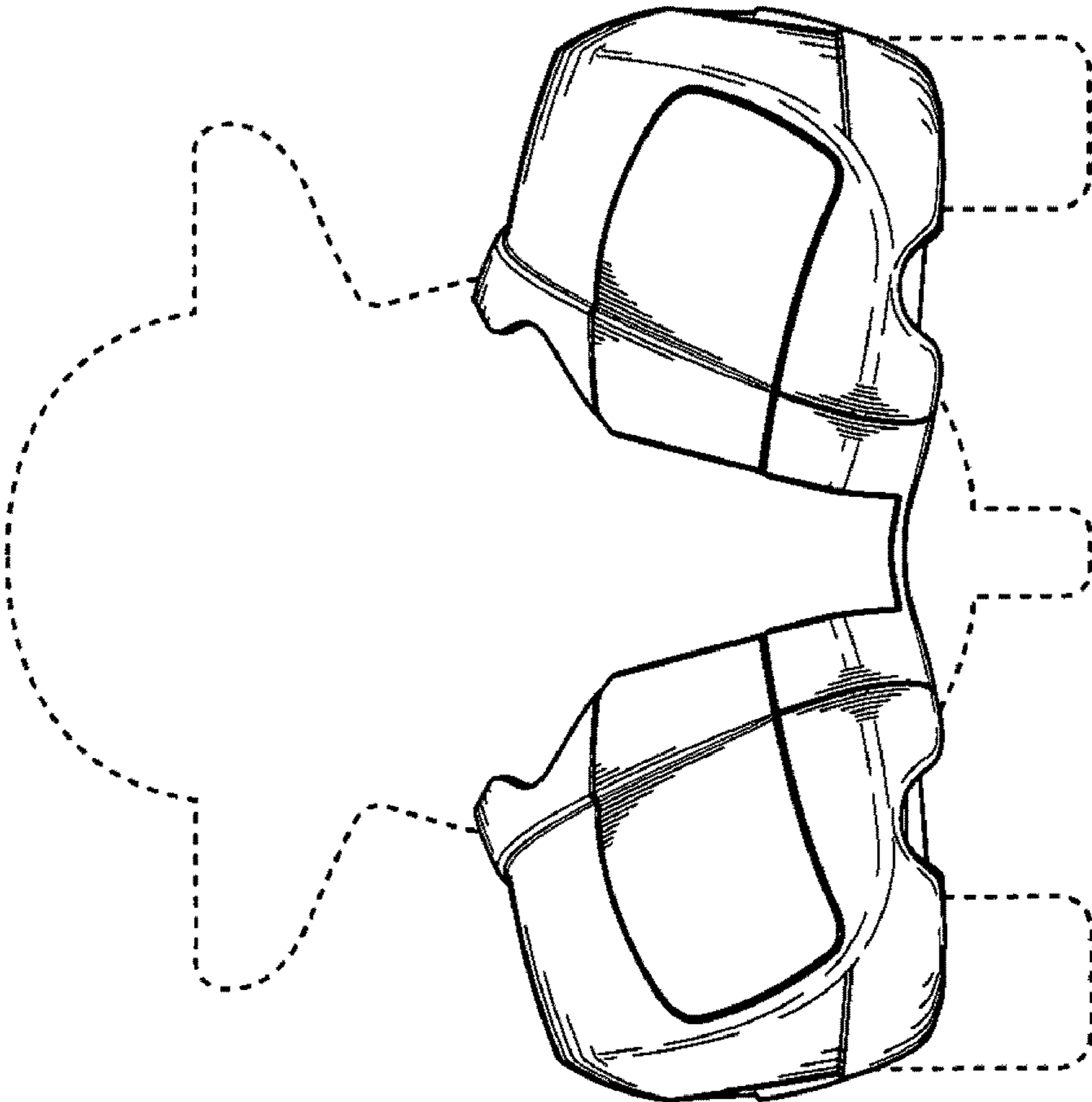
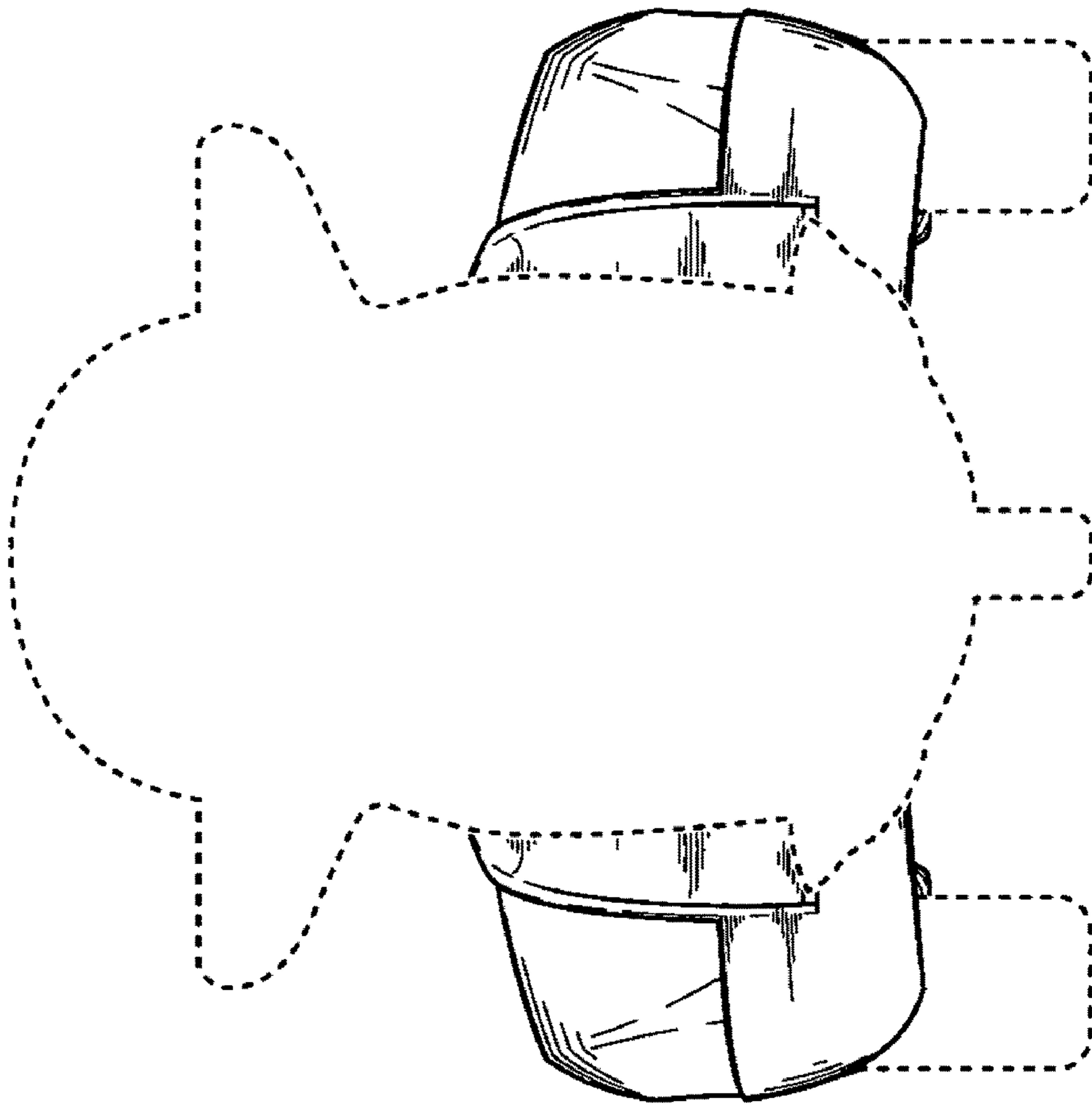


FIG. 7



**FIG. 8**



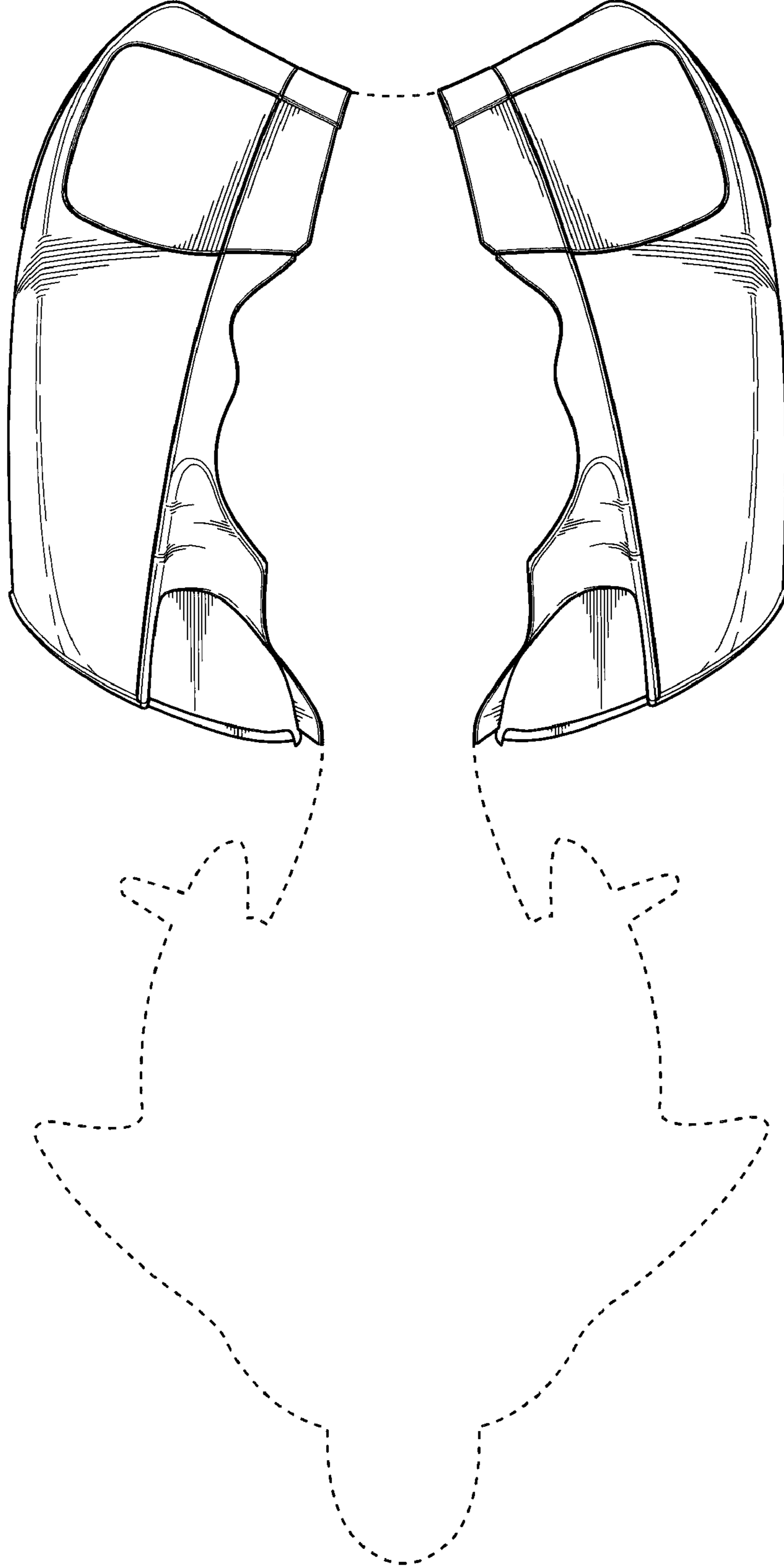


FIG. 9