



US00D630127S

(12) **United States Design Patent**
Johnson

(10) **Patent No.:** **US D630,127 S**

(45) **Date of Patent:** **** Jan. 4, 2011**

(54) **LANYARD CLIP**

(76) Inventor: **Martha Aurora Johnson**, 2404
Foxglove Dr., Monterey Park, CA (US)
91755

(**) Term: **14 Years**

(21) Appl. No.: **29/350,784**

(22) Filed: **Nov. 23, 2009**

(51) **LOC (9) Cl.** **02-07**

(52) **U.S. Cl.** **D11/216**

(58) **Field of Classification Search** D11/86,
D11/87, 200–201, 206–210, 212–216, 218;
D8/382, 349, 356; 24/163 R, 169–171, 194–195
See application file for complete search history.

(56) **References Cited**

U.S. PATENT DOCUMENTS

D410,194 S *	5/1999	Hilton et al.	D8/382
D413,508 S *	9/1999	Shibao	D8/382
D467,198 S *	12/2002	Yoshiguchi	D11/200
D495,971 S *	9/2004	Uehara et al.	D11/216
D502,891 S *	3/2005	Yoshiguchi	D11/220
D529,793 S *	10/2006	Kuroda	D8/382
D537,382 S *	2/2007	Yang	D11/216
D563,269 S *	3/2008	Anscher	D11/216
D576,074 S *	9/2008	Yoshiguchi	D11/216

D576,518 S *	9/2008	Yoshiguchi	D11/216
D577,631 S *	9/2008	Kawaguchi	D11/216
D593,902 S *	6/2009	Yoshiguchi	D11/216
D617,178 S *	6/2010	Sakai	D8/382
D617,234 S *	6/2010	Chan	D11/216

* cited by examiner

Primary Examiner—Holly H Baynham

Assistant Examiner—Sheryl Lane

(74) *Attorney, Agent, or Firm*—Kelly Lowry & Kelley, LLP

(57) **CLAIM**

The ornamental design for a lanyard clip, as shown.

DESCRIPTION

FIG. 1 is a front, top and left-side perspective view of a lanyard clip embodying my new design;

FIG. 2 is a top, front and right-side perspective view thereof;

FIG. 3 is a front elevational view thereof;

FIG. 4 is a rear elevational view thereof;

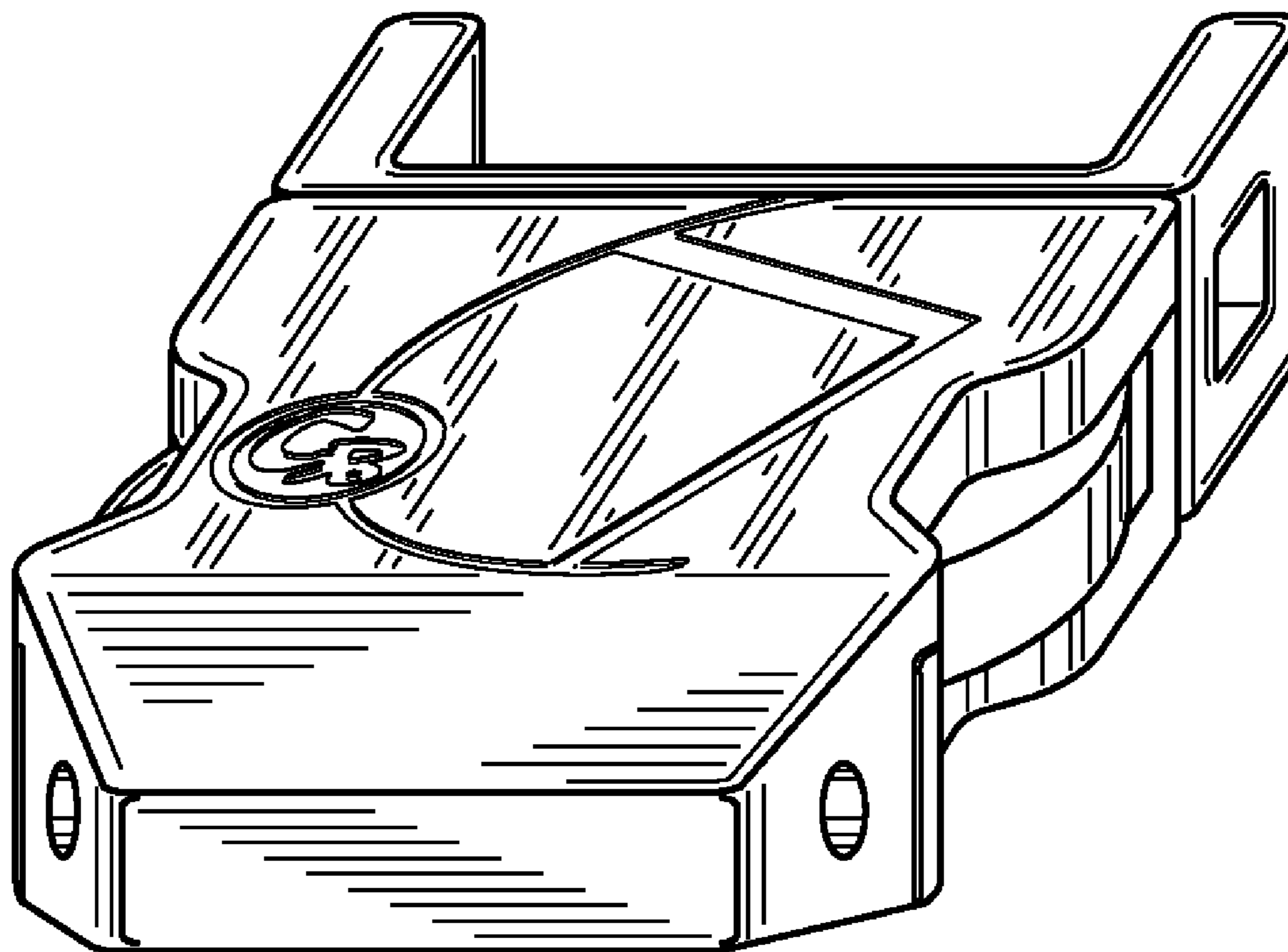
FIG. 5 is a left-side elevational view thereof;

FIG. 6 is a right-side elevational view thereof;

FIG. 7 is a top plan view thereof; and,

FIG. 8 is a bottom plan view thereof.

1 Claim, 2 Drawing Sheets



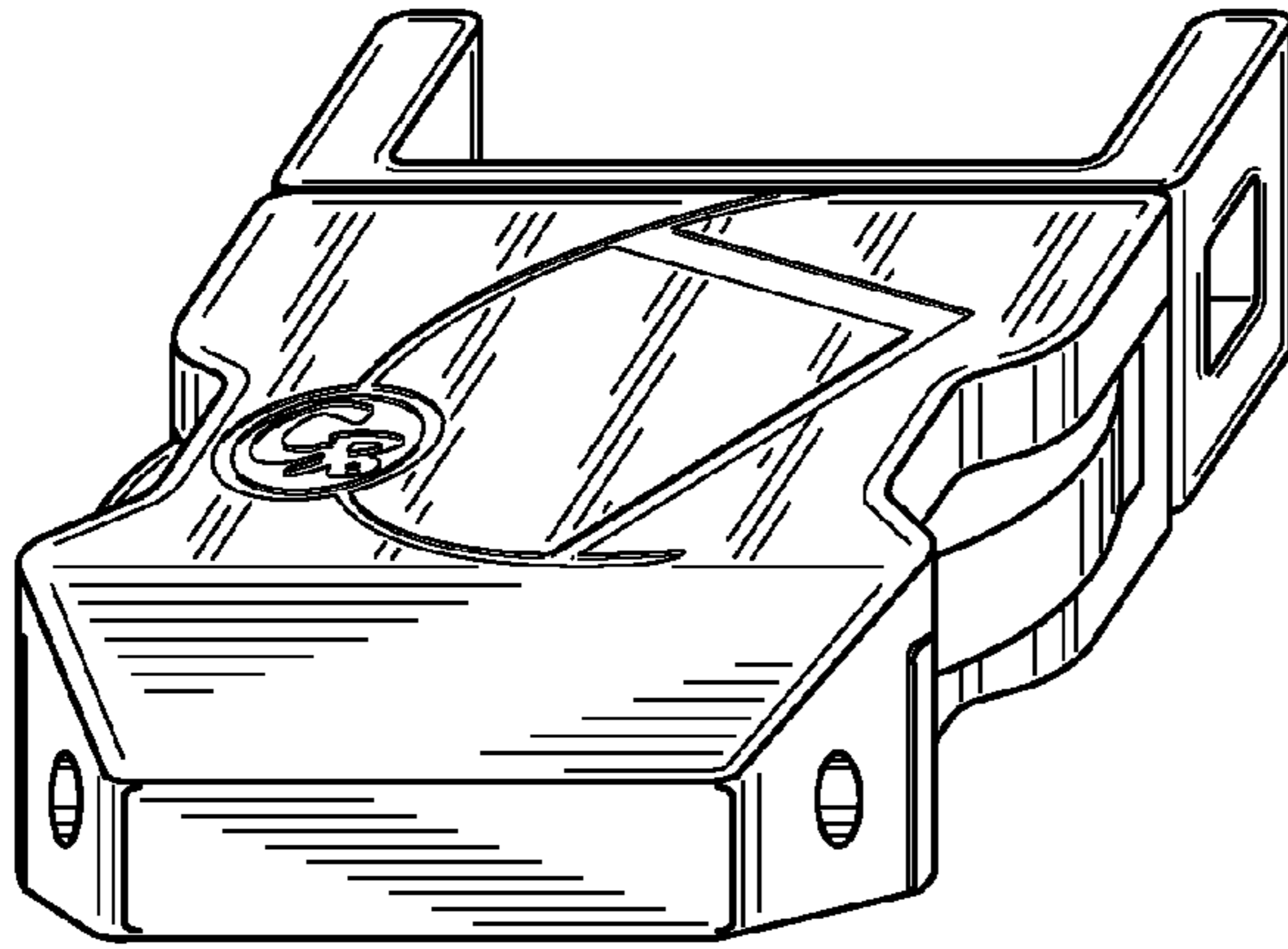


FIG. 1

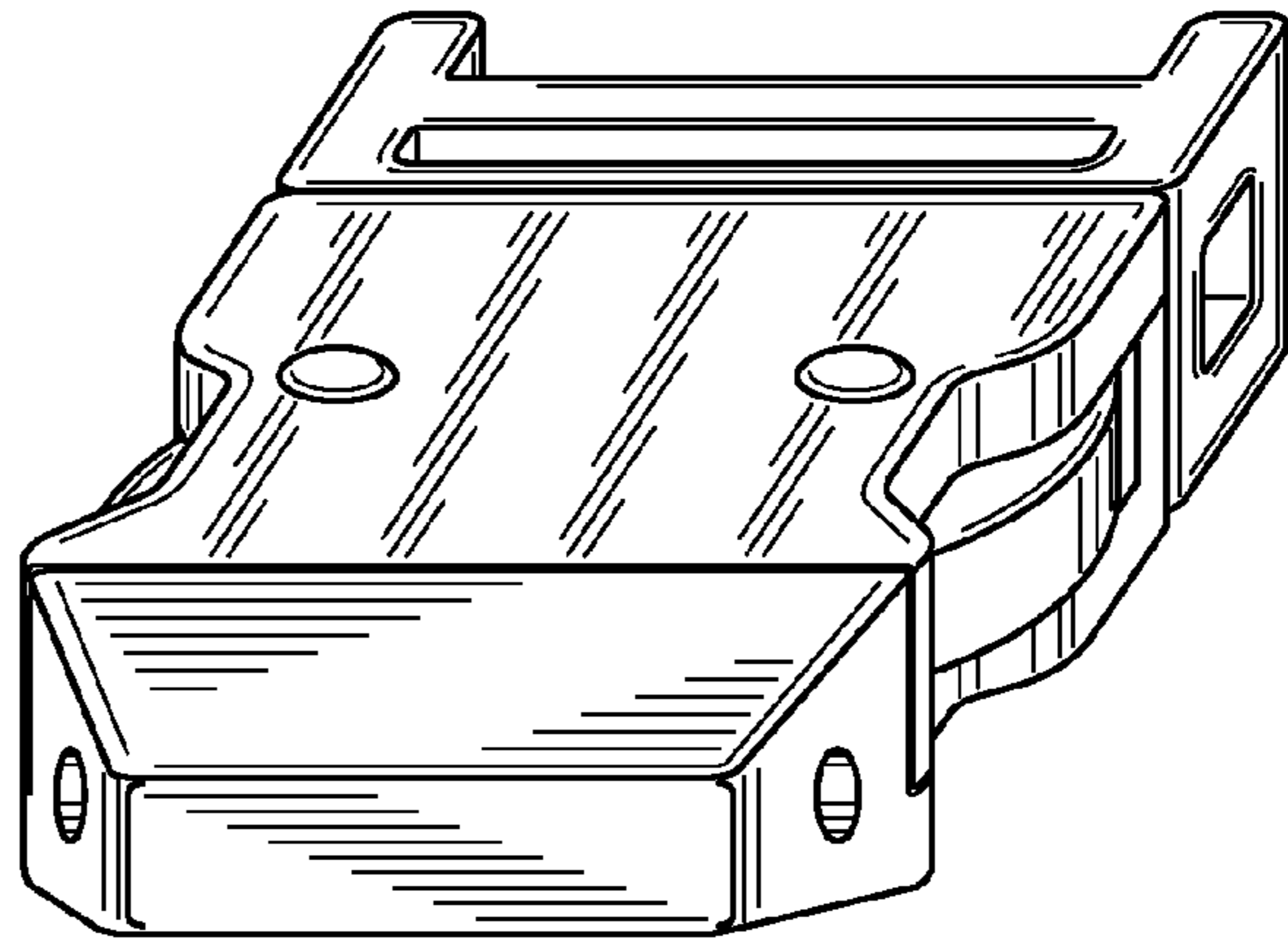


FIG. 2



FIG. 3

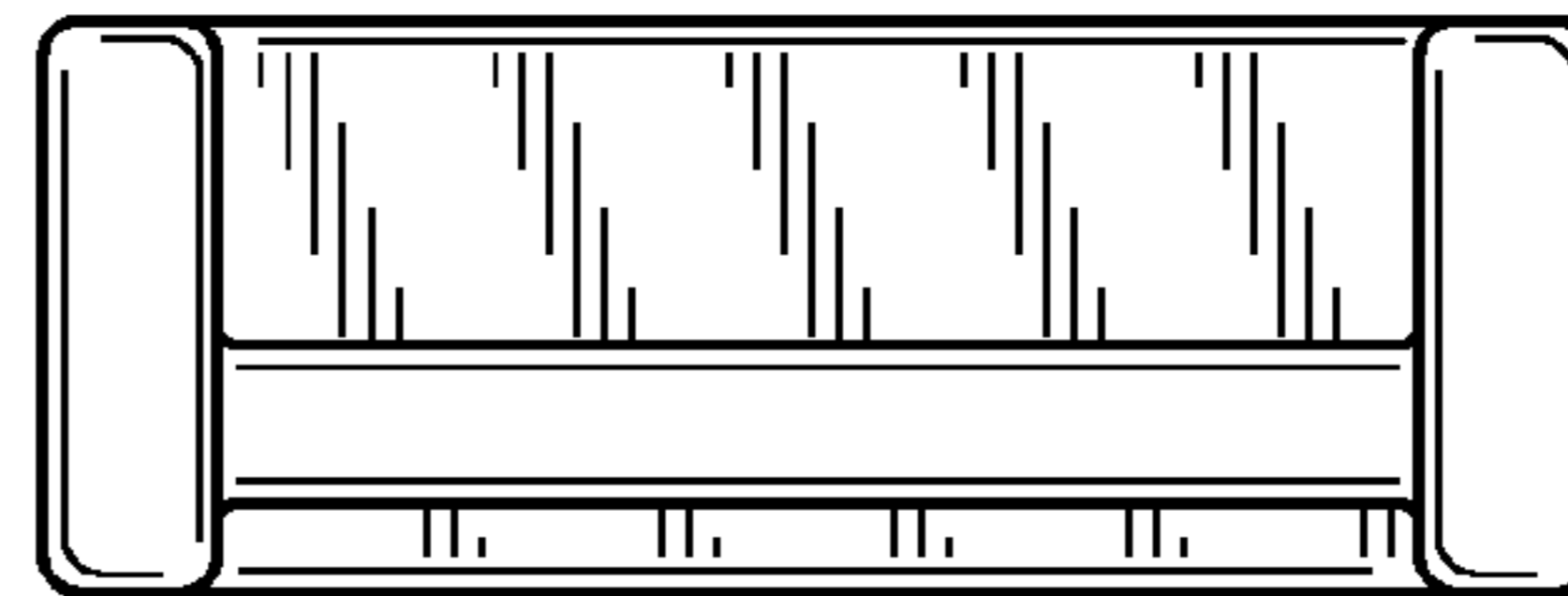


FIG. 4

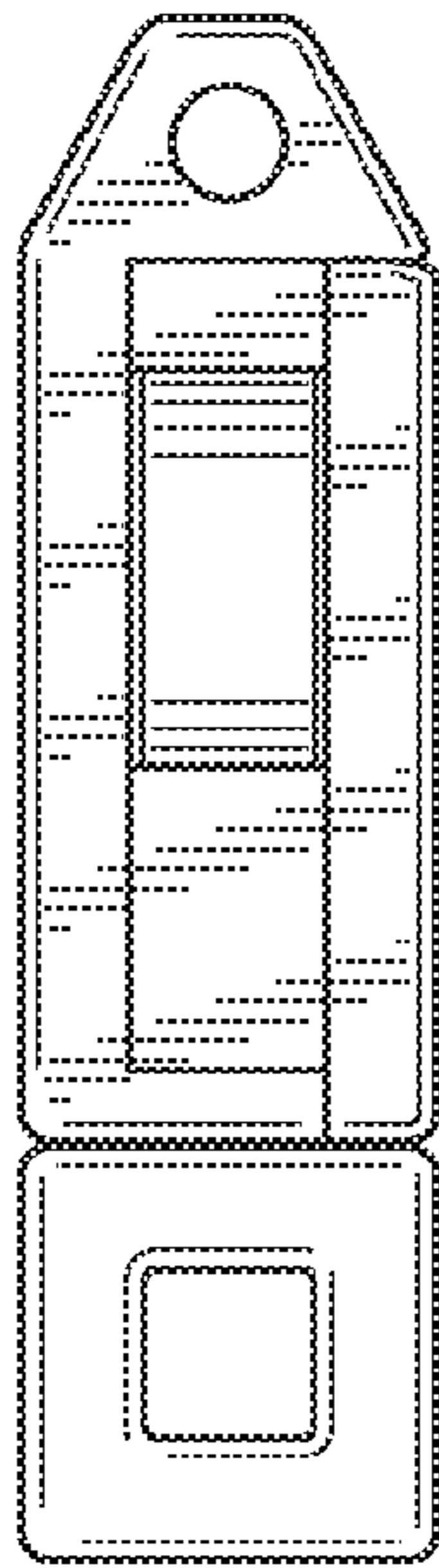


FIG. 5

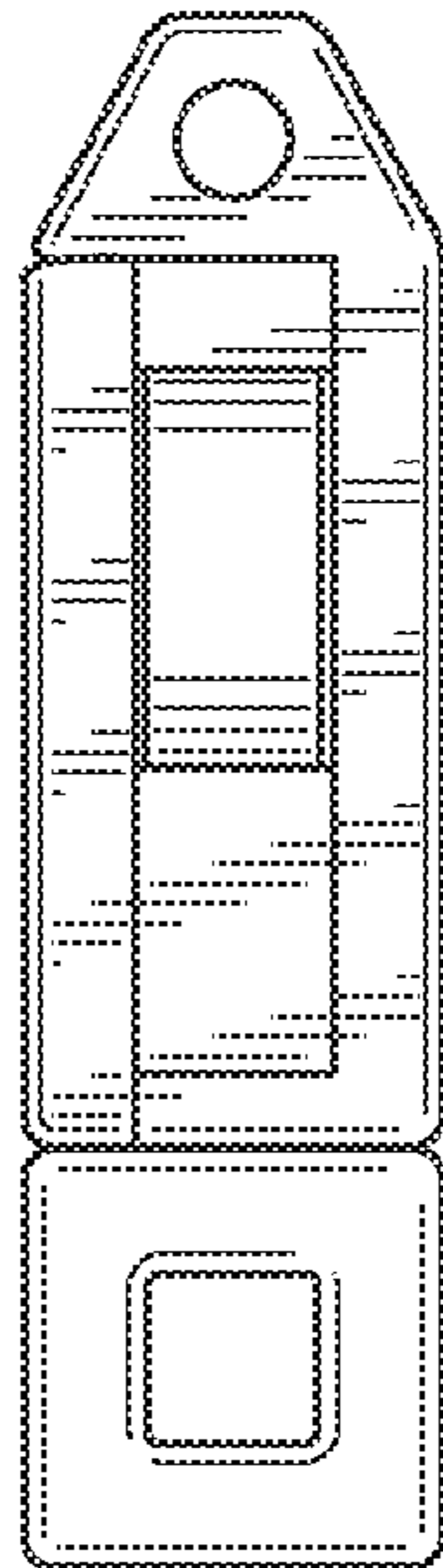


FIG. 6

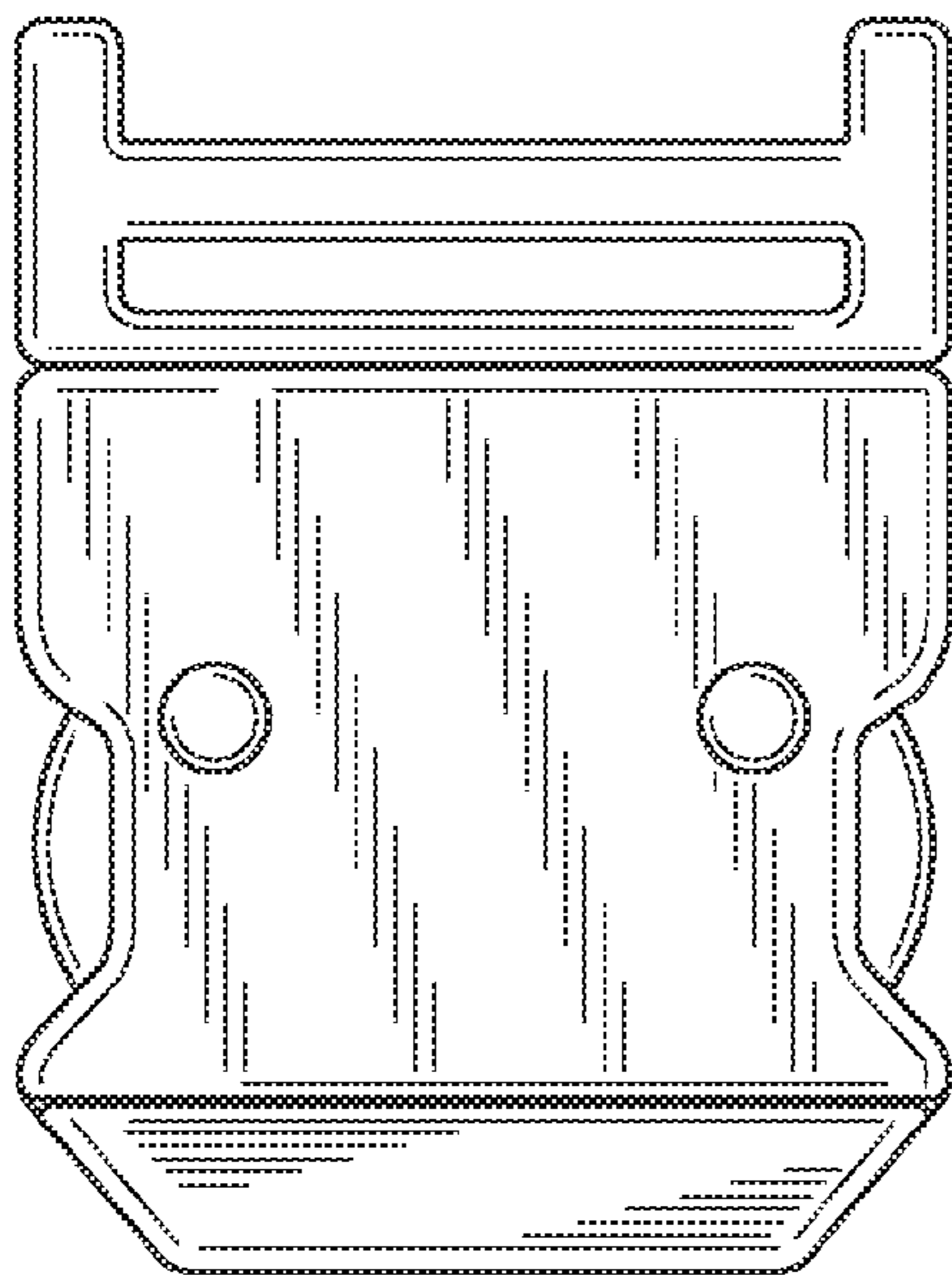


FIG. 8

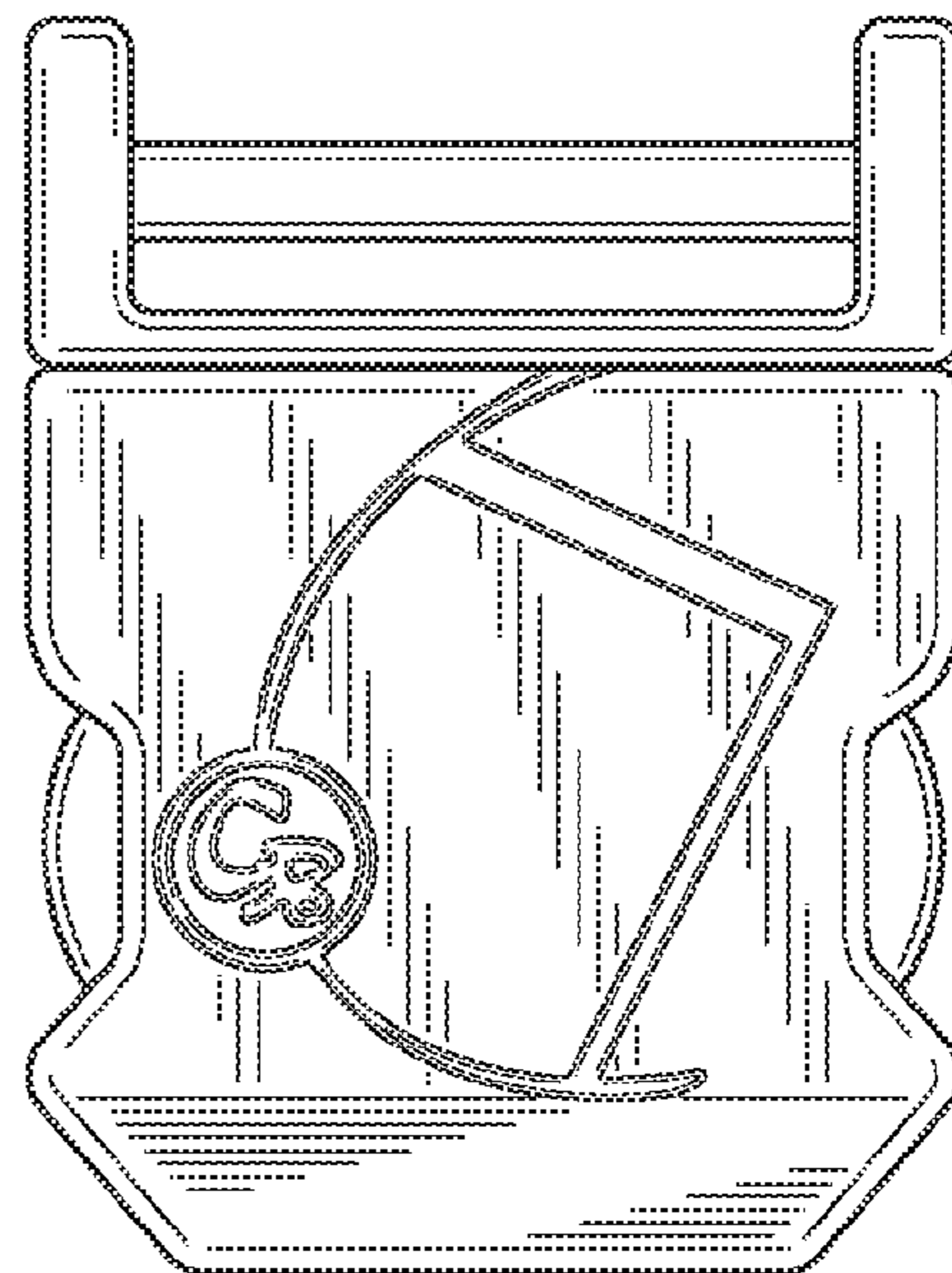


FIG. 7