



US00D630123S

(12) **United States Design Patent**
Ott

(10) **Patent No.:** **US D630,123 S**
(45) **Date of Patent:** **** Jan. 4, 2011**

- (54) **COMBINED PLANTER BOX AND ART/PHOTO HOLDER**
- (75) Inventor: **Lesli Shea Ott**, St. Louis, MO (US)
- (73) Assignee: **Lesli S. Ott**, New Haven, CT (US)
- (**) Term: **14 Years**
- (21) Appl. No.: **29/335,915**
- (22) Filed: **Apr. 24, 2009**
- (51) **LOC (9) Cl.** **11-02**
- (52) **U.S. Cl.** **D11/144; D11/155**
- (58) **Field of Classification Search** D6/300, D6/310, 314, 556–558; D8/1; D11/143–156; D19/77, 81; D26/9–11; D34/1, 2, 4–6; D99/5, D99/19; 43/32.4, 32.5, 32.7, 33, 41.01, 41.1, 43/41.11–41.15, 44–47, 65, 65.5, 65.9, 68–71
See application file for complete search history.

(56) **References Cited**

U.S. PATENT DOCUMENTS

| | | | |
|----------------|---------|------------------|---------|
| D172,325 S | 6/1954 | Adler | |
| 2,796,980 A * | 6/1957 | Callinicos | D11/156 |
| 3,047,183 A * | 7/1962 | Papa | 47/66.1 |
| D234,530 S * | 3/1975 | Waltzman | D11/155 |
| D236,633 S * | 9/1975 | Shalom | D30/101 |
| D267,557 S | 1/1983 | Resnick | |
| D303,360 S | 9/1989 | Levine | |
| 4,967,694 A | 11/1990 | Waldman | |
| 5,090,358 A * | 2/1992 | Waldman | 119/257 |
| D335,963 S | 6/1993 | Tracey | |
| D357,210 S * | 4/1995 | Tomlinson et al. | D11/156 |
| 6,253,489 B1 * | 7/2001 | Sung et al. | 47/65.7 |
| D491,486 S * | 6/2004 | Bonilla | D11/144 |
| D532,334 S | 11/2006 | Smith | |
| 7,140,149 B2 * | 11/2006 | Searle et al. | 47/65.5 |
| D533,108 S * | 12/2006 | Nass | D11/155 |

D576,072 S * 9/2008 Jones D11/144

* cited by examiner

Primary Examiner—Garth Rademaker

(57) **CLAIM**

The ornamental design for a combined planter box and art/photo holder, as shown and described.

DESCRIPTION

FIG. 1 is a front perspective view of a combined planter box and art/photo holder showing my new design, the rear perspective view being identical thereto;

FIG. 2 is a front elevation view thereof, the rear elevation view being identical thereto;

FIG. 3 is a front perspective view of a second embodiment of a combined planter box and art/photo holder, the rear perspective view being identical thereto, the sole difference between the embodiments being the inclusion/omission of thumb notches on the front and rear sides;

FIG. 4 is a right side elevation view of the first embodiment of the design, the left side elevation view being identical thereto;

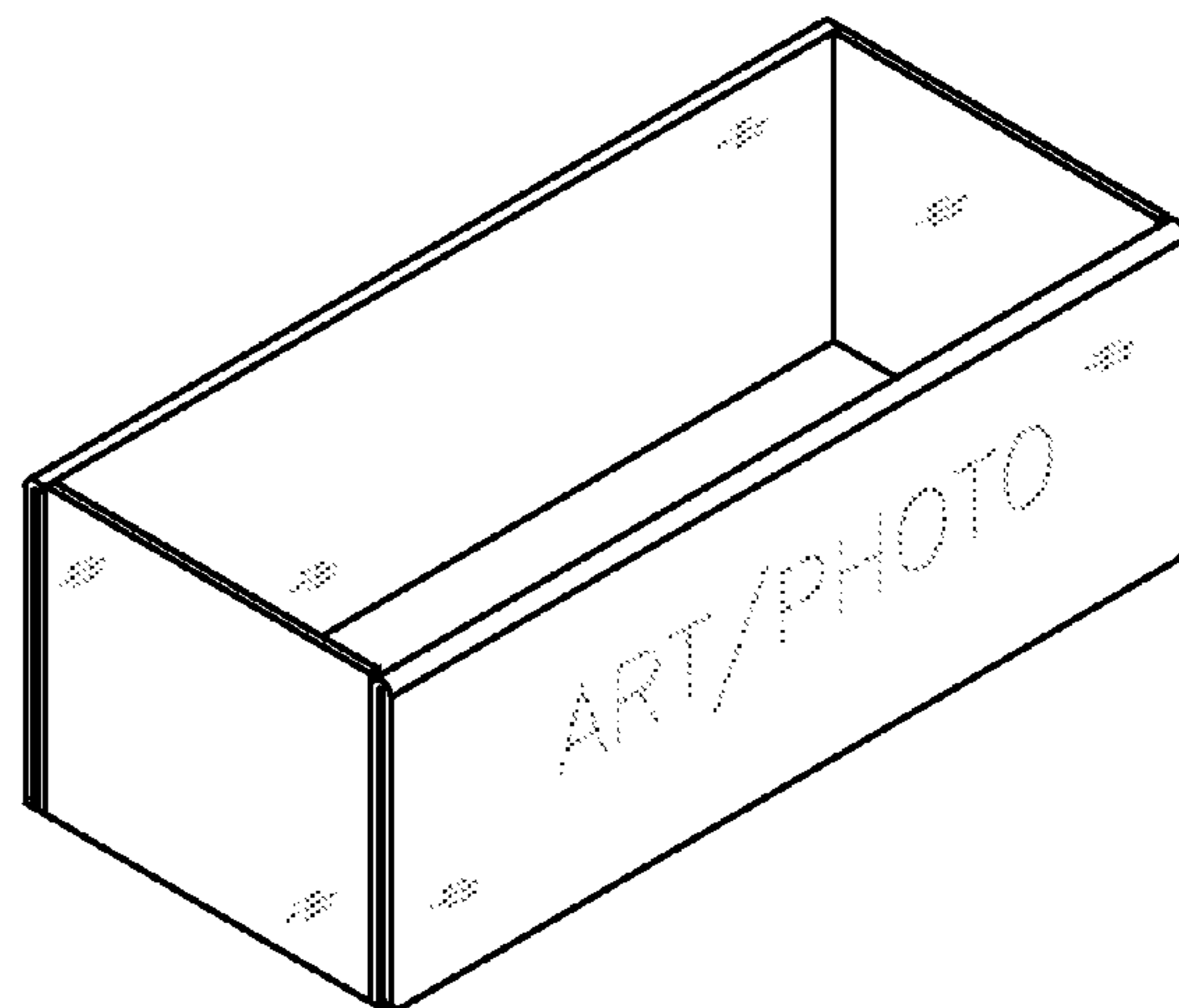
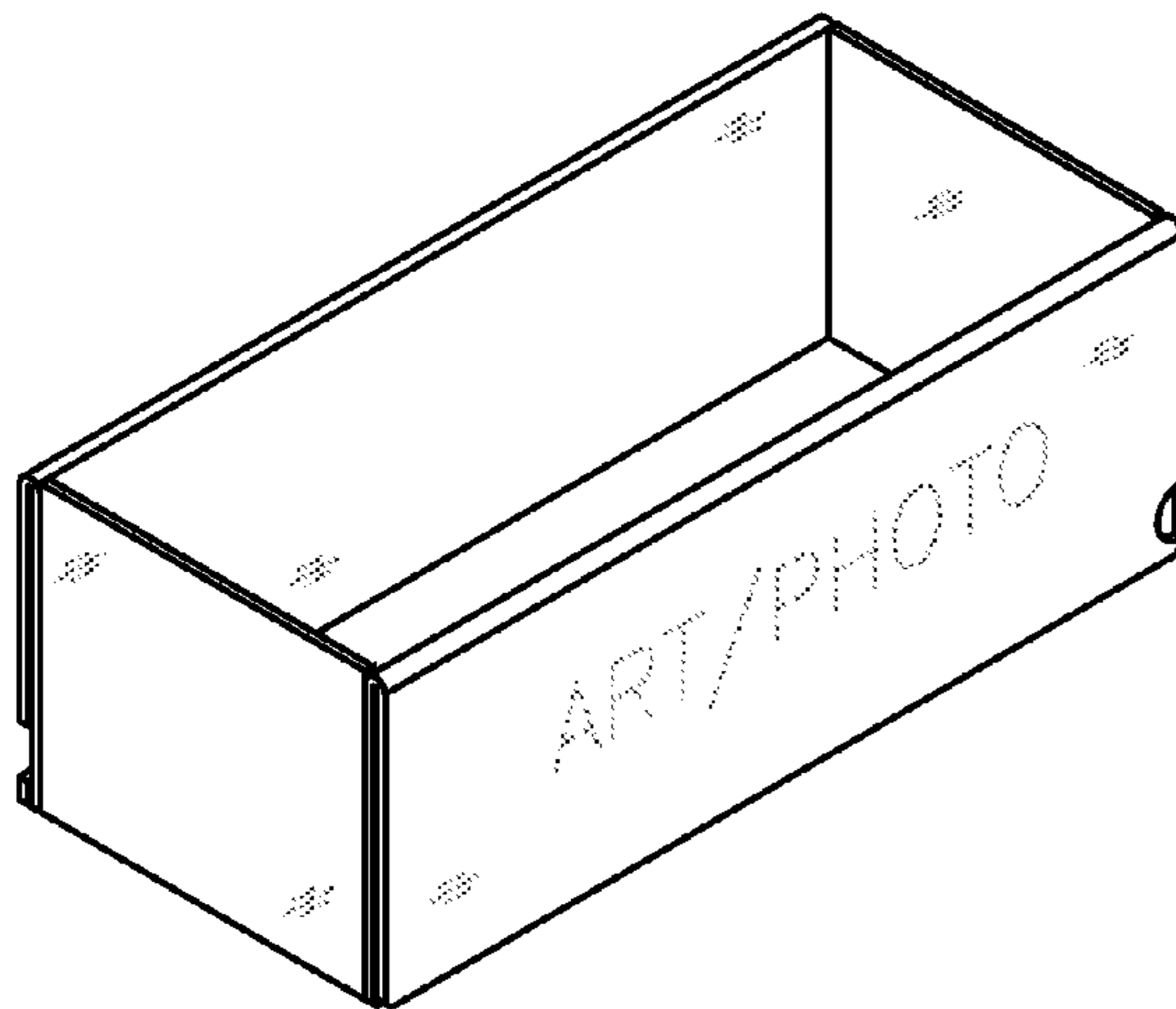
FIG. 5 is a top plan view of the first embodiment of the design, the top plan view of the second embodiment of the design being identical thereto;

FIG. 6 is a bottom plan view of the first embodiment of the design, the bottom plan view of the second embodiment of the design being identical thereto; and,

FIG. 7 is a cross-section view of the first embodiment of the design taken along line 7—7 of FIG. 4, a corresponding cross-section view taken on the opposite side of the design being identical thereto.

The broken lines depict environmental subject matter only and form no part of the claimed design.

1 Claim, 4 Drawing Sheets



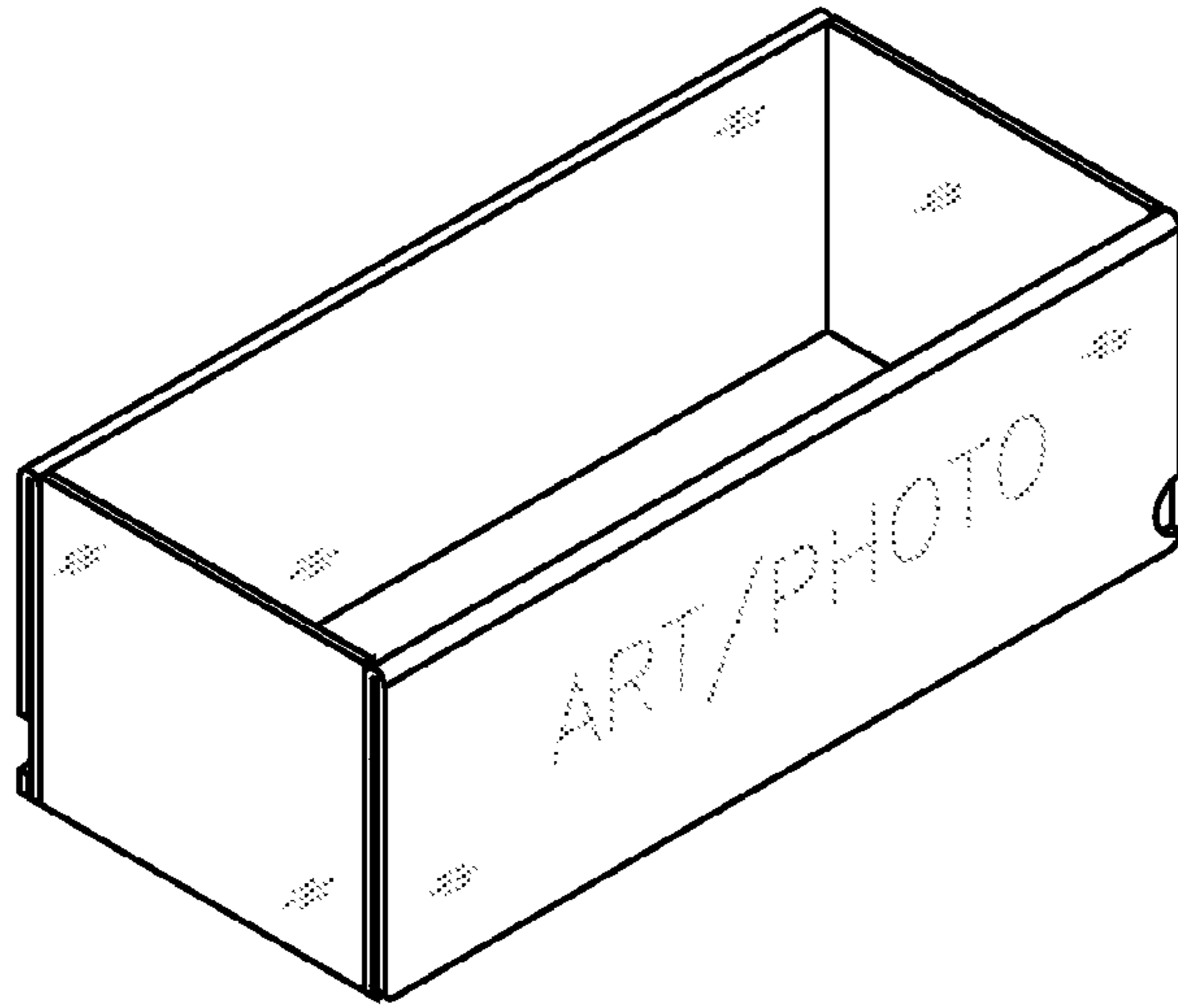


Fig. 1

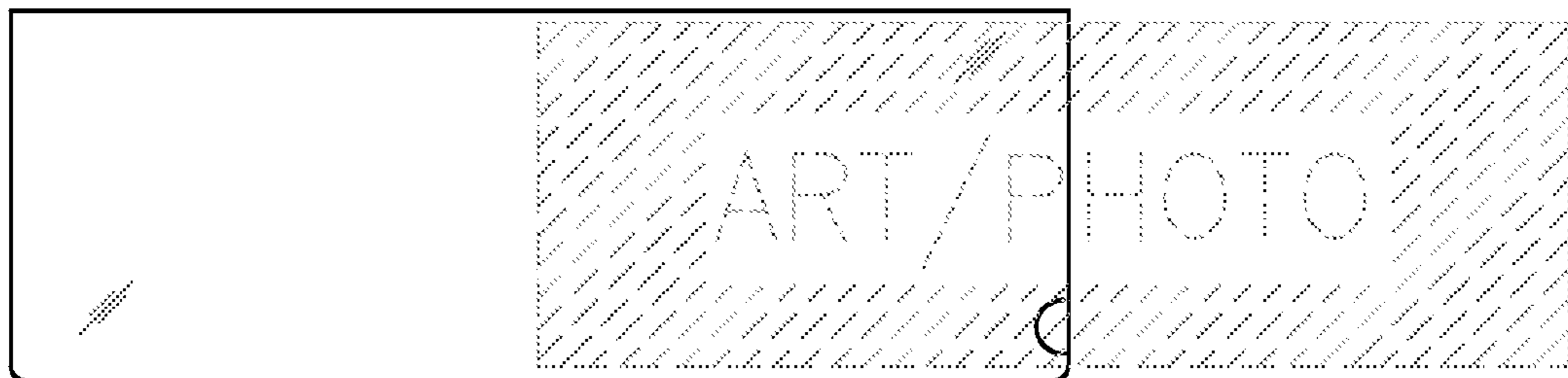


Fig. 2

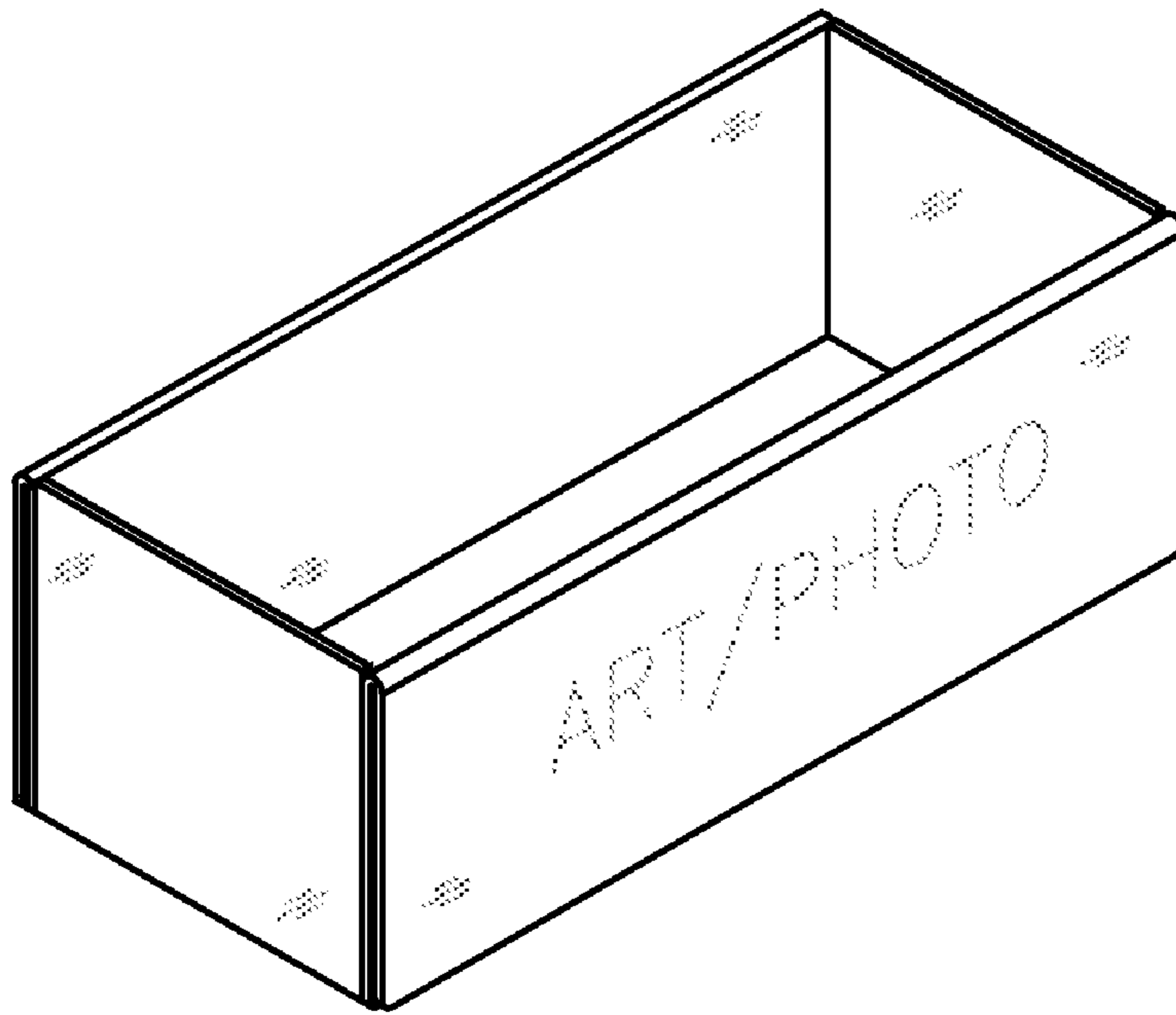


Fig. 3

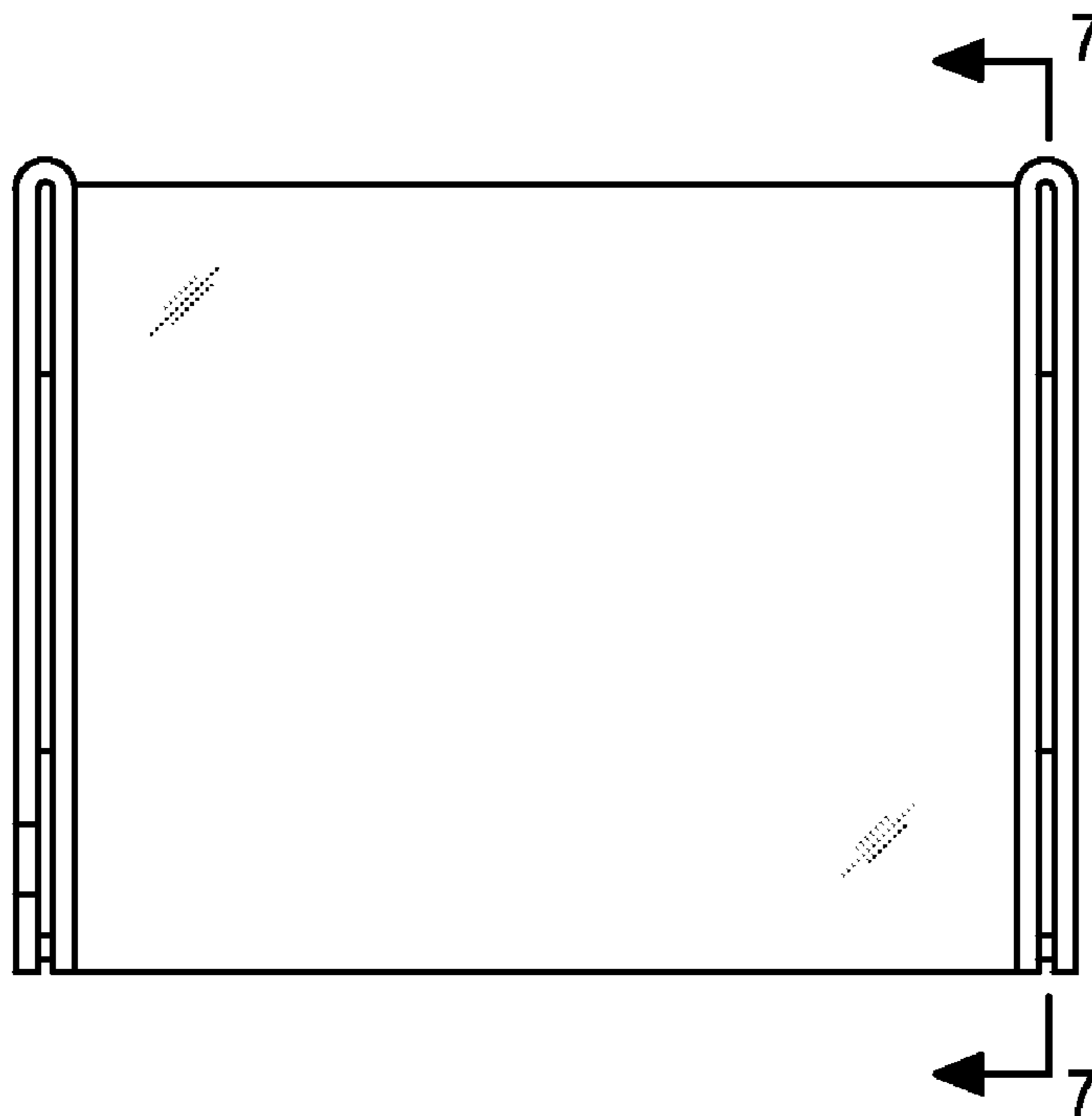


Fig. 4

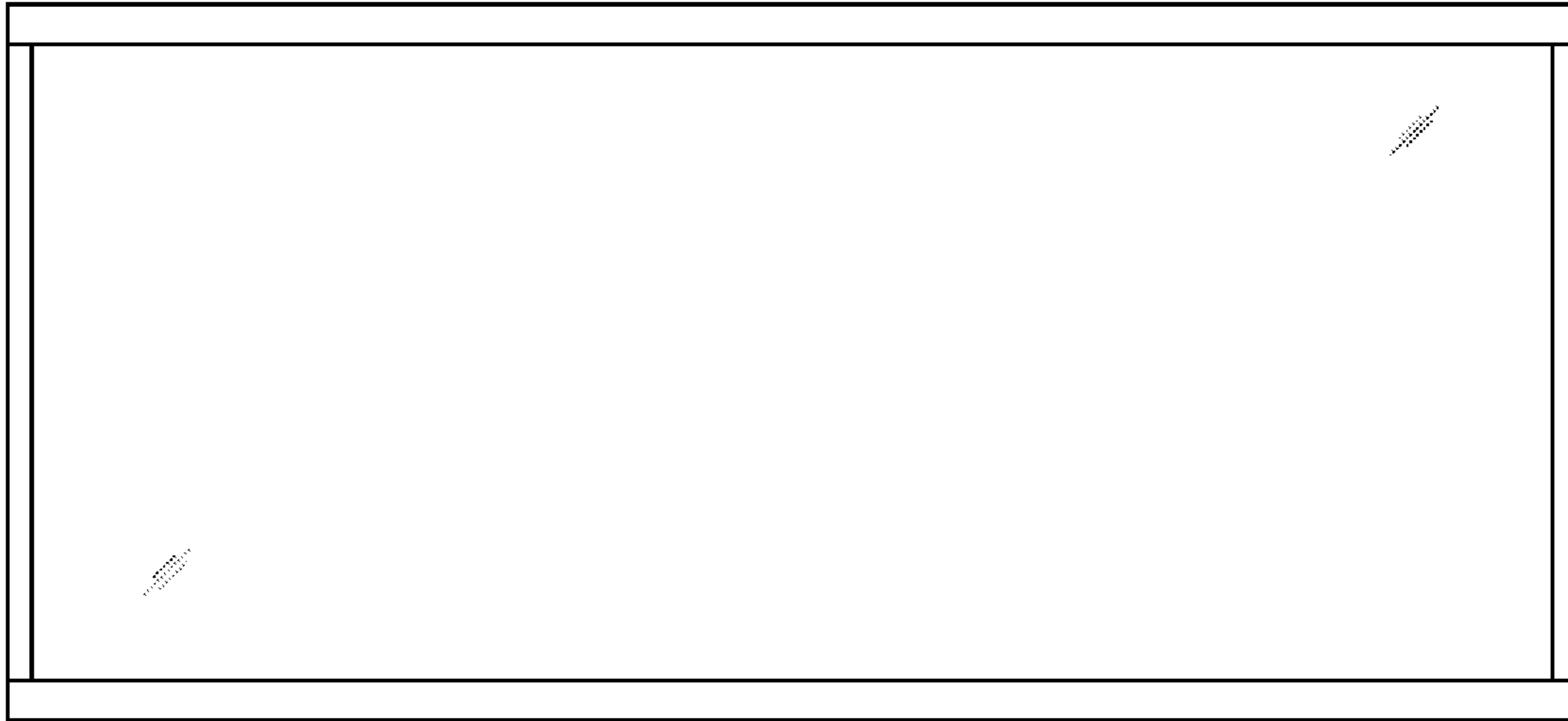


Fig. 5

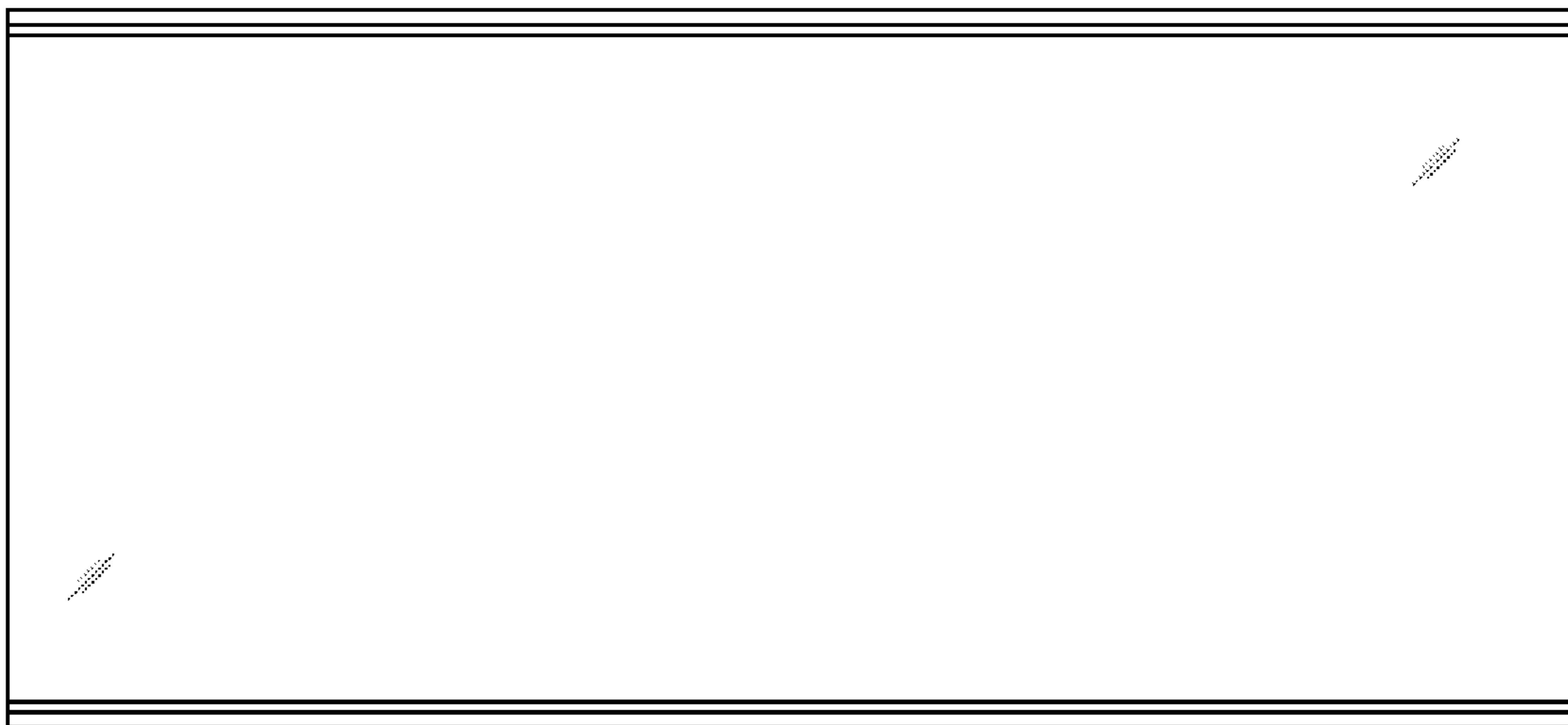


Fig. 6

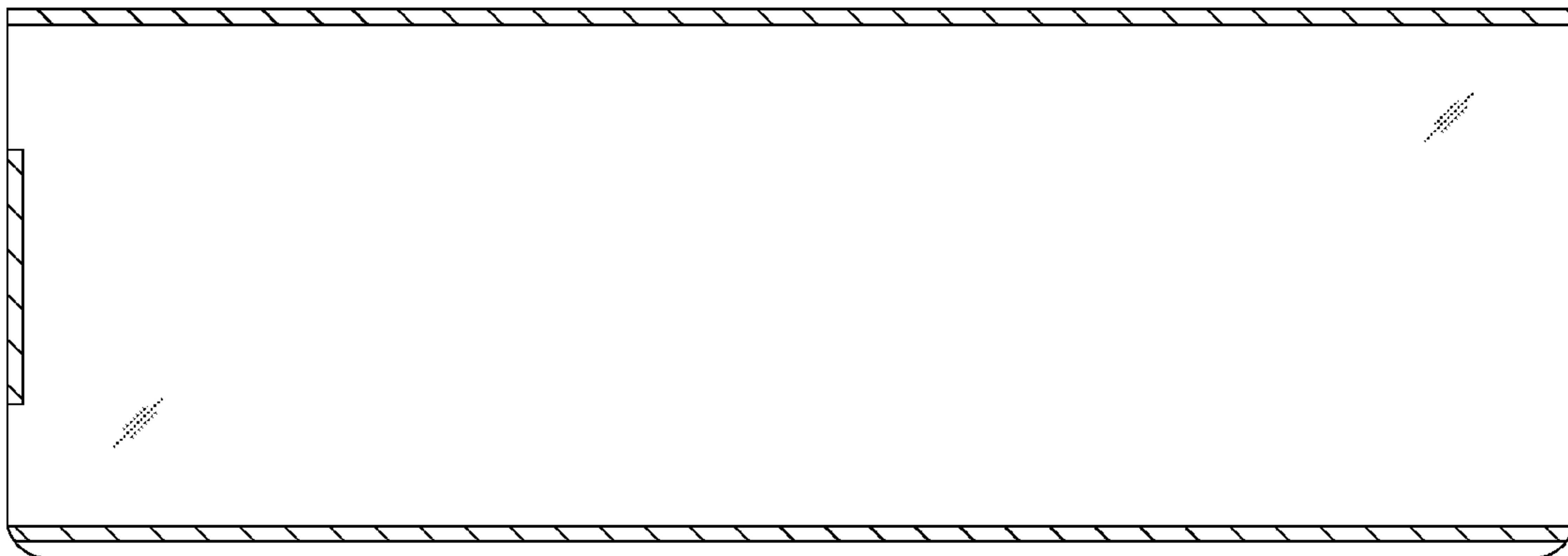


Fig. 7