



US00D630122S

(12) **United States Design Patent**
Gaspard

(10) **Patent No.:** **US D630,122 S**

(45) **Date of Patent:** **** Jan. 4, 2011**

(54) **PENDANT**

(76) **Inventor:** **Caroline Gaspard**, 98 rue d'Estreux,
Onnaing (FR) 59264

(**) **Term:** **14 Years**

(21) **Appl. No.:** **29/360,986**

(22) **Filed:** **May 4, 2010**

(30) **Foreign Application Priority Data**

Nov. 13, 2009 (WO) DM/072 607

(51) **LOC (9) Cl.** **11-02**

(52) **U.S. Cl.** **D11/73; D11/79**

(58) **Field of Classification Search** D11/1,
D11/2, 7, 40-44, 46-49, 53, 56, 57, 58-61,
D11/63, 65, 73, 79-83, 86-87, 89-90, 99,
D11/91, 92, 101, 106, 114-116, 200-201;
63/1.11, 12, 13, 18-20; D3/207-211; D22/116
See application file for complete search history.

(56) **References Cited**

U.S. PATENT DOCUMENTS

- D277,559 S * 2/1985 Mackie D11/6
- D281,369 S * 11/1985 Harris D99/34
- D347,297 S * 5/1994 Vesco D28/77
- D389,221 S * 1/1998 Borg D22/116
- D420,572 S * 2/2000 Warner D11/79

- D433,225 S * 11/2000 Deiss et al. D3/203.2
- D433,562 S * 11/2000 Redlinger D3/208
- D489,171 S * 5/2004 Jackson D3/203.2
- D571,044 S * 6/2008 Conte et al. D3/208
- D580,160 S * 11/2008 Wilson et al. D3/207
- D586,253 S * 2/2009 Forster, Jr. D11/80
- D596,231 S * 7/2009 Hung D19/43

* cited by examiner

Primary Examiner—Cathron C Brooks

Assistant Examiner—Melanie Levy

(74) *Attorney, Agent, or Firm*—Norris McLaughlin & Marcus P.A.

(57) **CLAIM**

The ornamental design for a pendant, as shown and described.

DESCRIPTION

FIG. 1 is a bottom view;

FIG. 2 is a top view;

FIG. 3 is a front view, being identical to the rear view;

FIG. 4 is a left side view, being identical to the right side view;

FIG. 5 is a front, top perspective view; and,

FIG. 6 is a rear, bottom perspective view.

The broken lines shown are for purposes of illustrating contour only, and form no part of the claimed design.

1 Claim, 2 Drawing Sheets

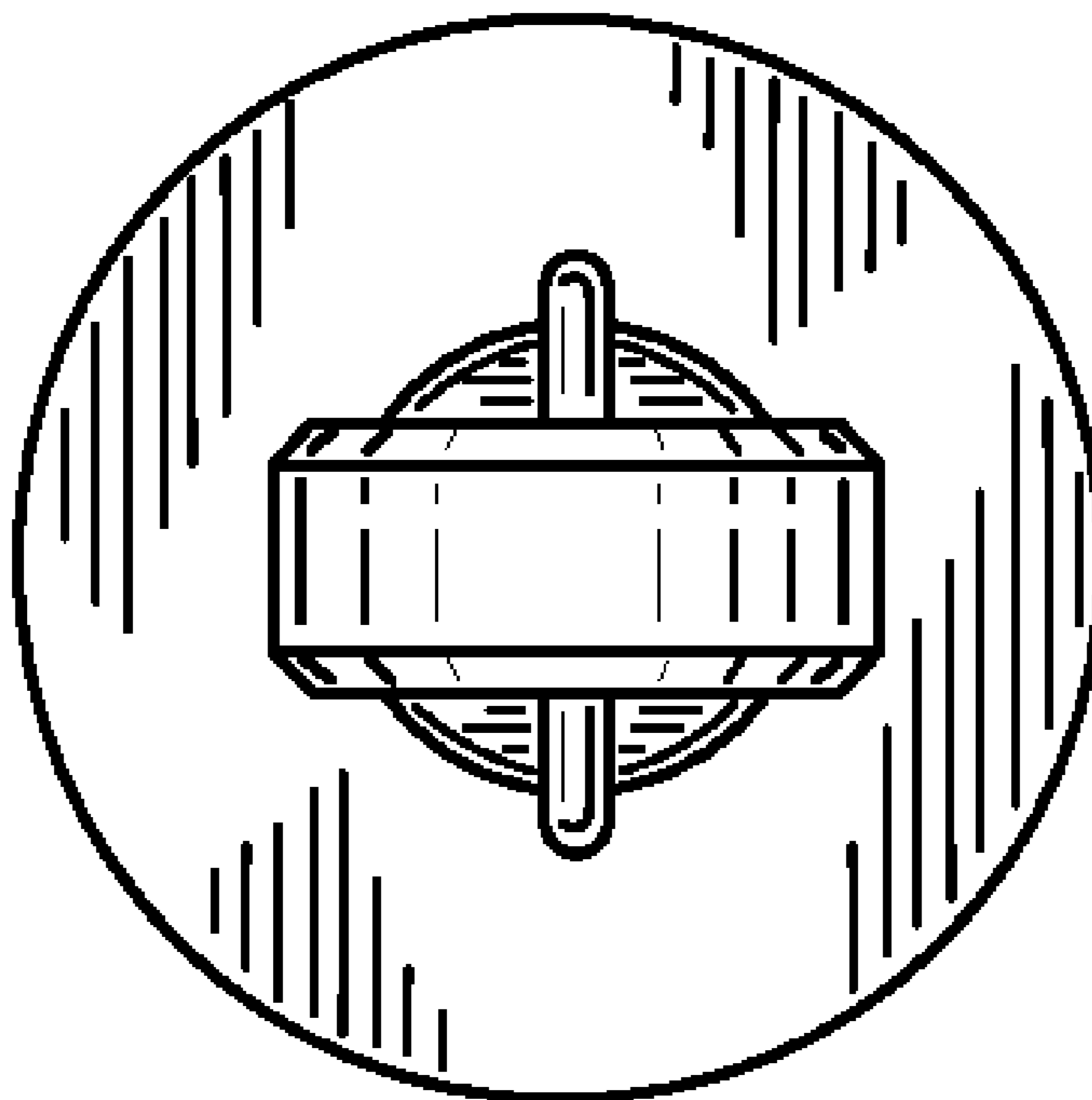


FIG. 1

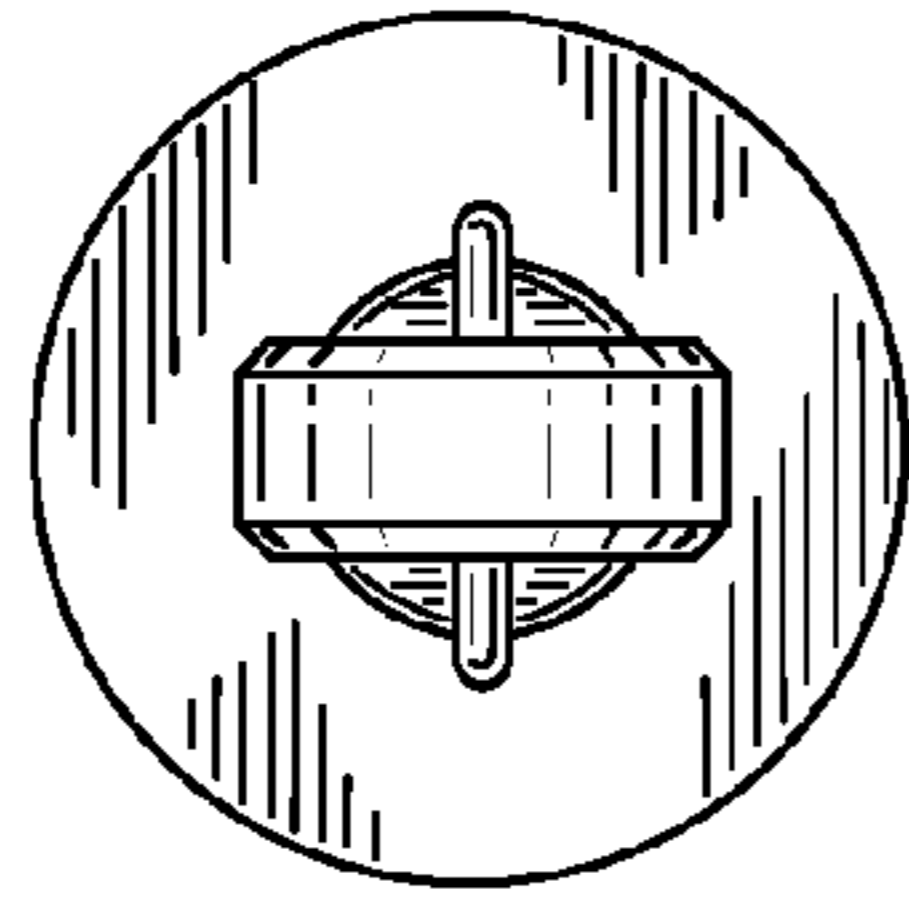


FIG. 2

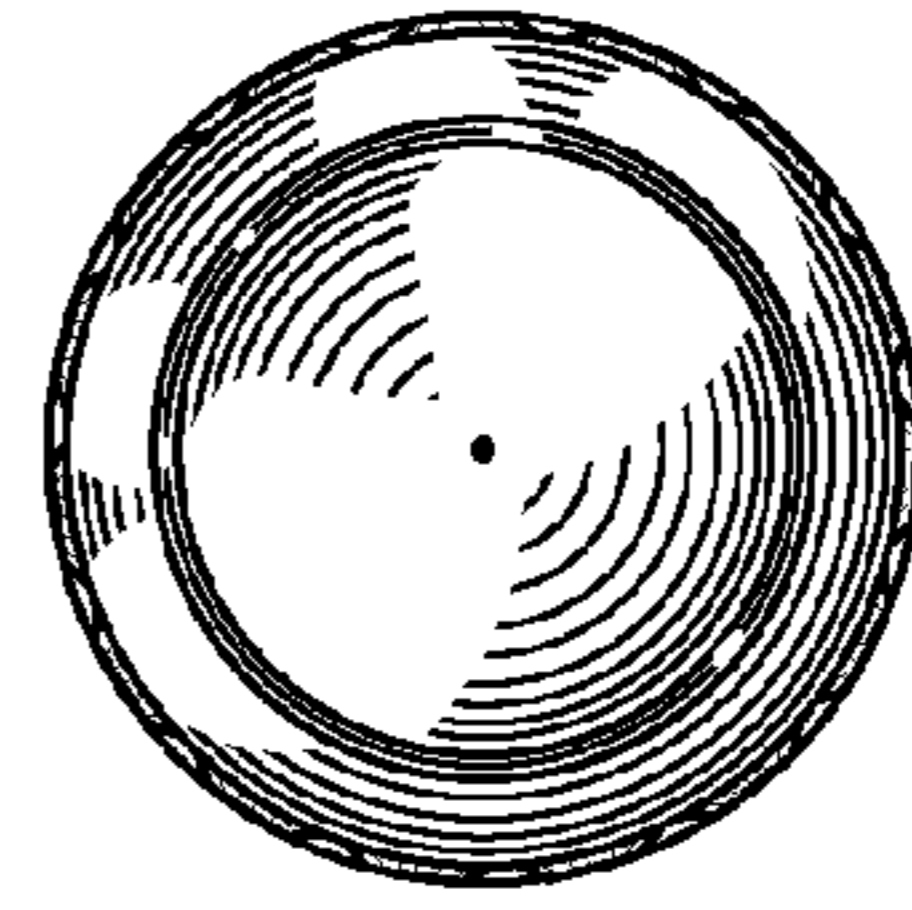


FIG. 3

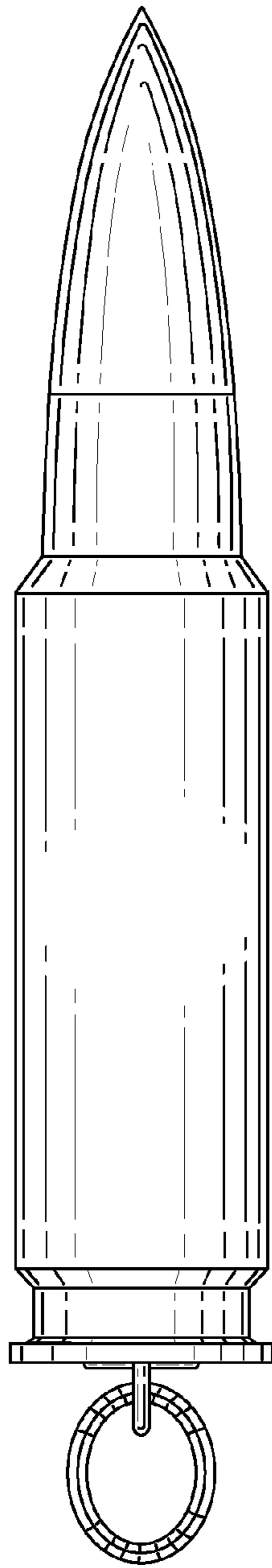
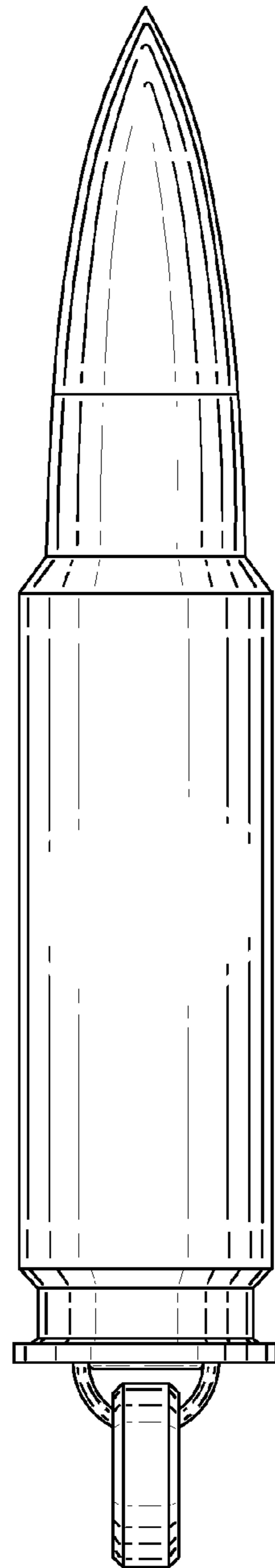


FIG. 4



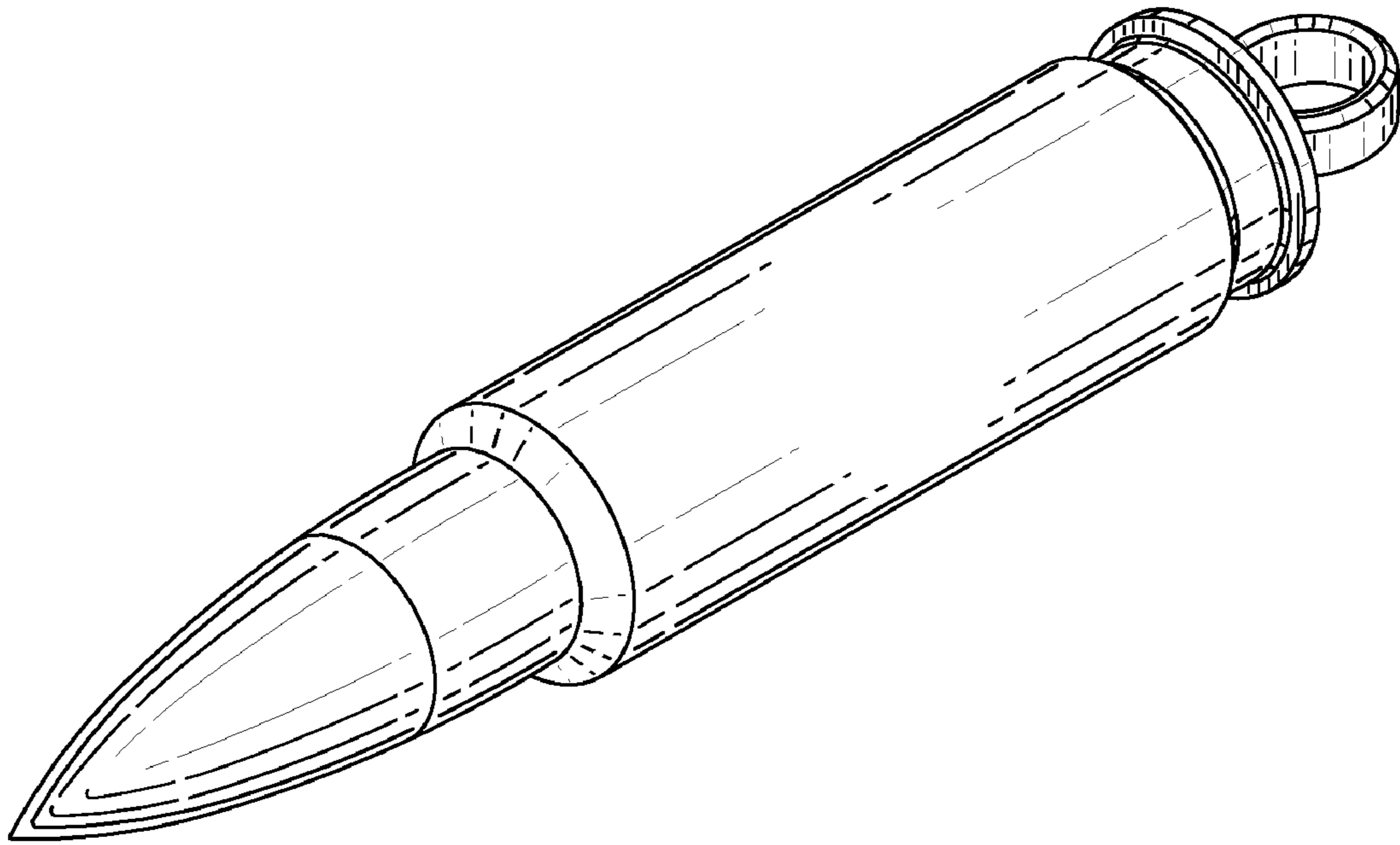


FIG. 5

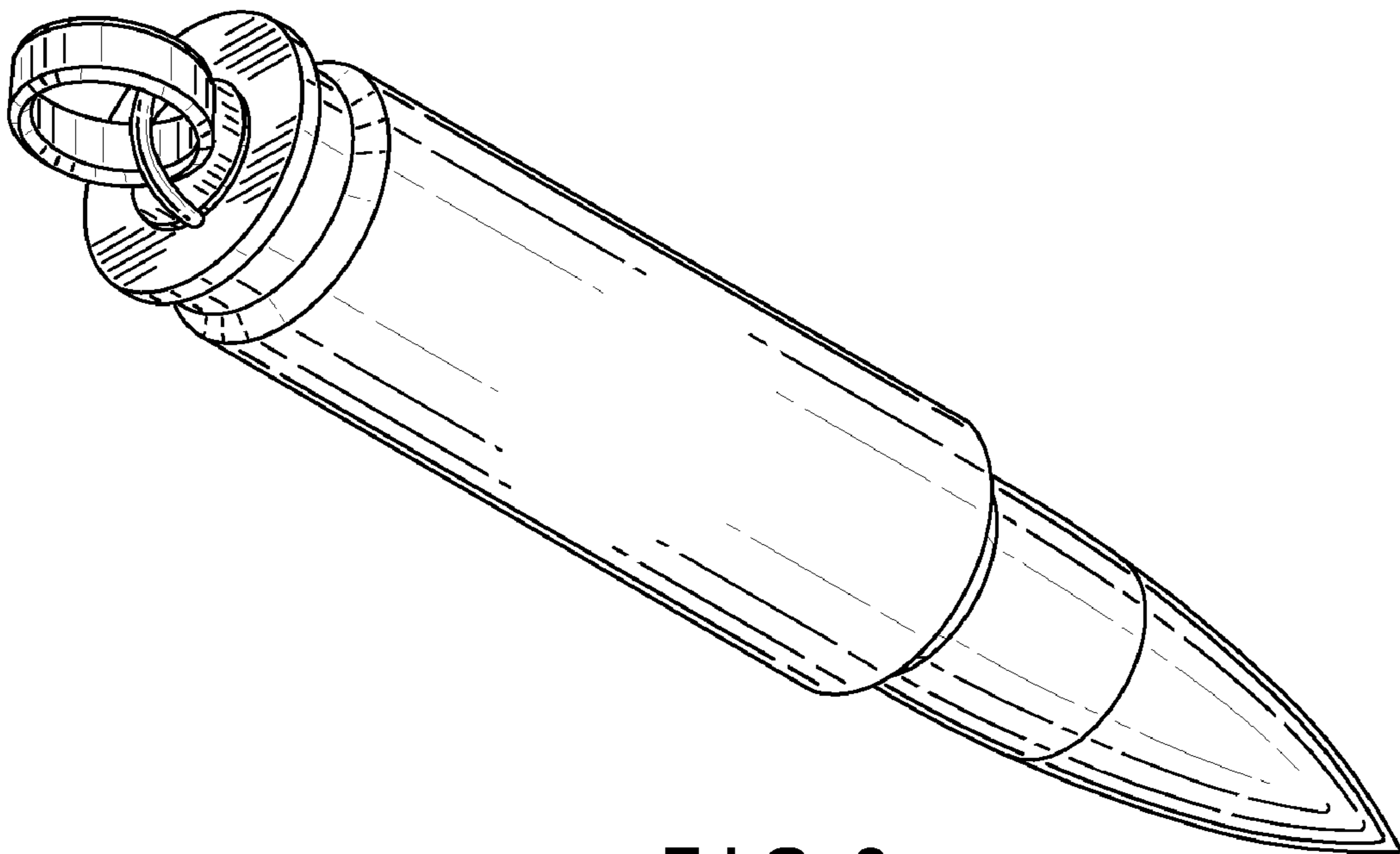


FIG. 6