



US00D630120S

(12) **United States Design Patent**
Nishi et al.

(10) **Patent No.:** **US D630,120 S**

(45) **Date of Patent:** **** Jan. 4, 2011**

(54) **CLOCK MOVEMENT**

(75) Inventors: **Kiyokazu Nishi**, Saitama (JP);
Toshiyuki Murata, Saitama (JP)

(73) Assignee: **Rhythm Watch Co., Ltd.**, Saitama (JP)

(**) Term: **14 Years**

(21) Appl. No.: **29/364,486**

(22) Filed: **Jun. 24, 2010**

(51) **LOC (9) Cl.** **10-07**

(52) **U.S. Cl.** **D10/129**

(58) **Field of Classification Search** D10/128,
D10/129; 368/88, 300, 220; 200/38 R, 38 F,
200/38 B

See application file for complete search history.

(56) **References Cited**

U.S. PATENT DOCUMENTS

4,103,119	A *	7/1978	Homan et al.	200/35 R
4,246,454	A *	1/1981	Ray	200/38 R
4,307,270	A *	12/1981	Smock	200/38 R
4,316,277	A *	2/1982	Endo	368/76
4,416,550	A *	11/1983	Wolber et al.	368/88
4,531,028	A *	7/1985	Stout et al.	200/38 R
4,538,037	A *	8/1985	Amonett	200/38 R
4,754,444	A *	6/1988	Shimizu	368/72
D303,227	S *	9/1989	Hayakawa	D10/129
D303,228	S *	9/1989	Ikeda et al.	D10/129
D318,025	S *	7/1991	Moritaka	D10/129

D318,026	S *	7/1991	Moritaka	D10/129
5,030,801	A *	7/1991	Amonett	200/38 R
D326,239	S *	5/1992	Hatano	D10/129
D326,427	S *	5/1992	Matsuda	D10/129
D335,098	S *	4/1993	Ikeda et al.	D10/129
D357,884	S *	5/1995	Matsuda et al.	D10/129
D357,885	S *	5/1995	Matsuda	D10/129
6,922,375	B2 *	7/2005	Shen	368/220
7,009,122	B2 *	3/2006	Pearson et al.	200/38 R
7,671,287	B2 *	3/2010	Lai et al.	200/38 R

* cited by examiner

Primary Examiner—Lucy Lieberman

(74) *Attorney, Agent, or Firm*—Kubotera & Associates LLC

(57) **CLAIM**

The ornamental design for a clock movement, as shown and described.

DESCRIPTION

FIG. 1 is a perspective view of a clock movement showing our new design;

FIG. 2 is a front view thereof;

FIG. 3 is a rear view thereof;

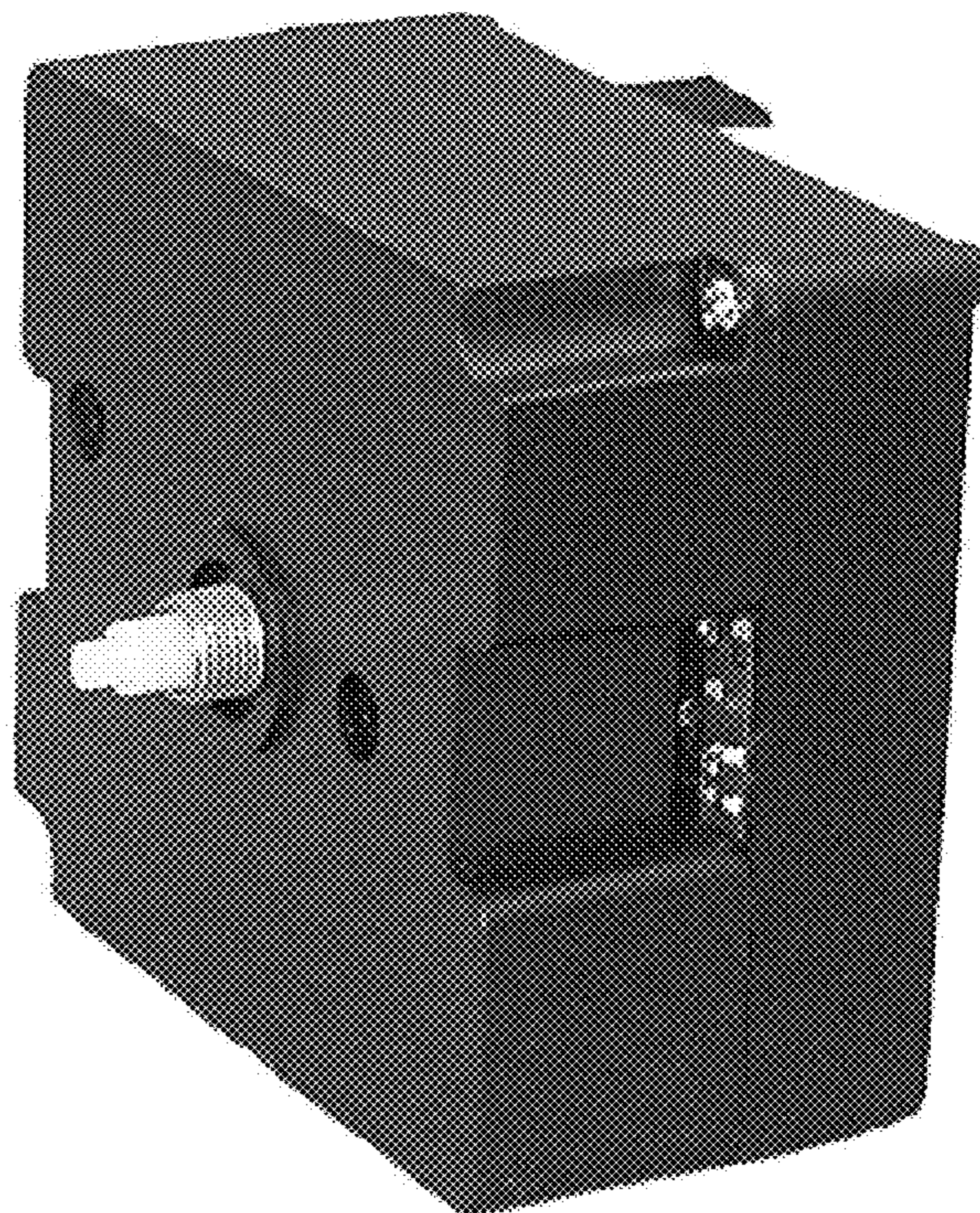
FIG. 4 is a right side view thereof;

FIG. 5 is a left side view thereof;

FIG. 6 is a plan view thereof; and,

FIG. 7 is a bottom view thereof.

1 Claim, 4 Drawing Sheets



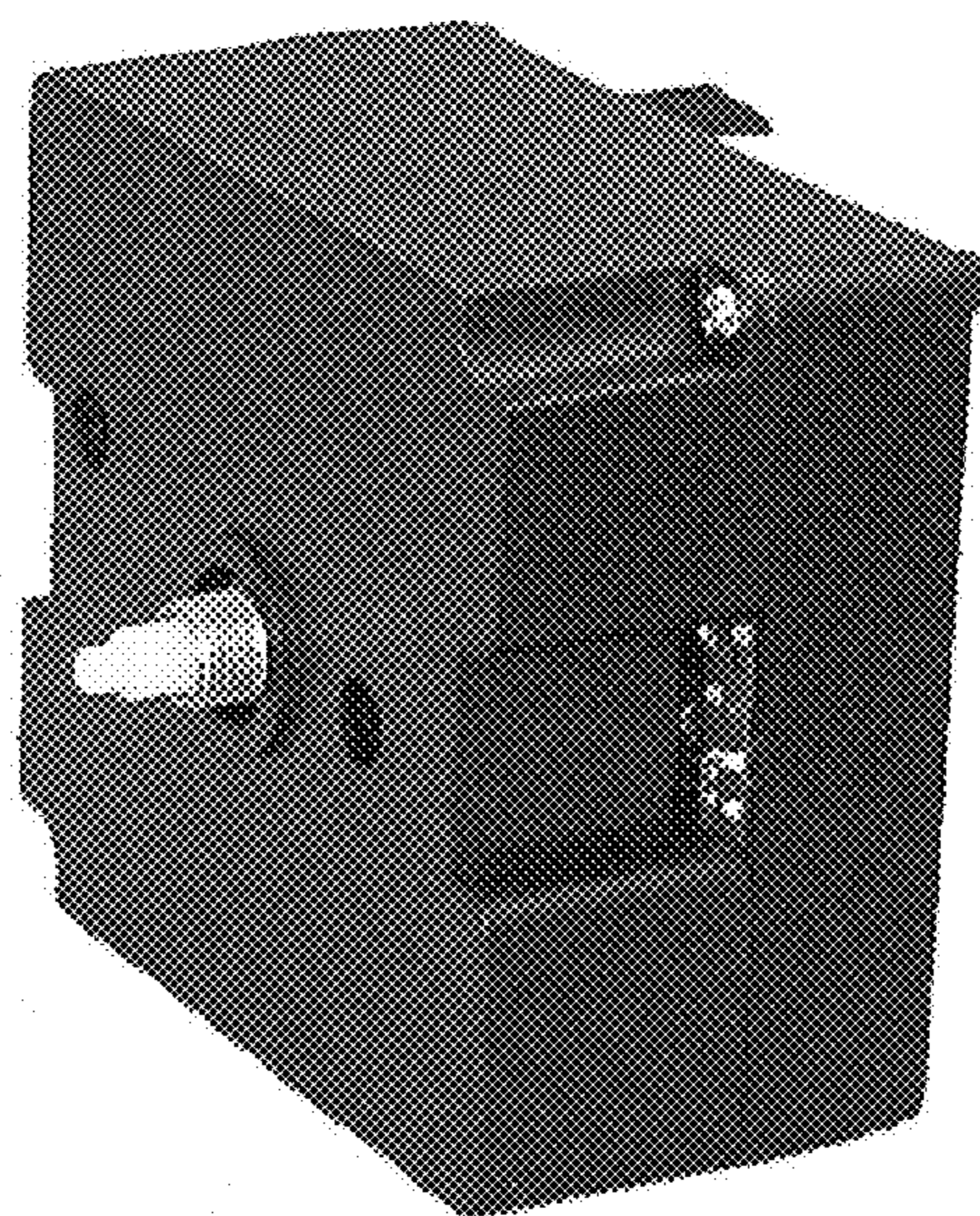


FIG. 1

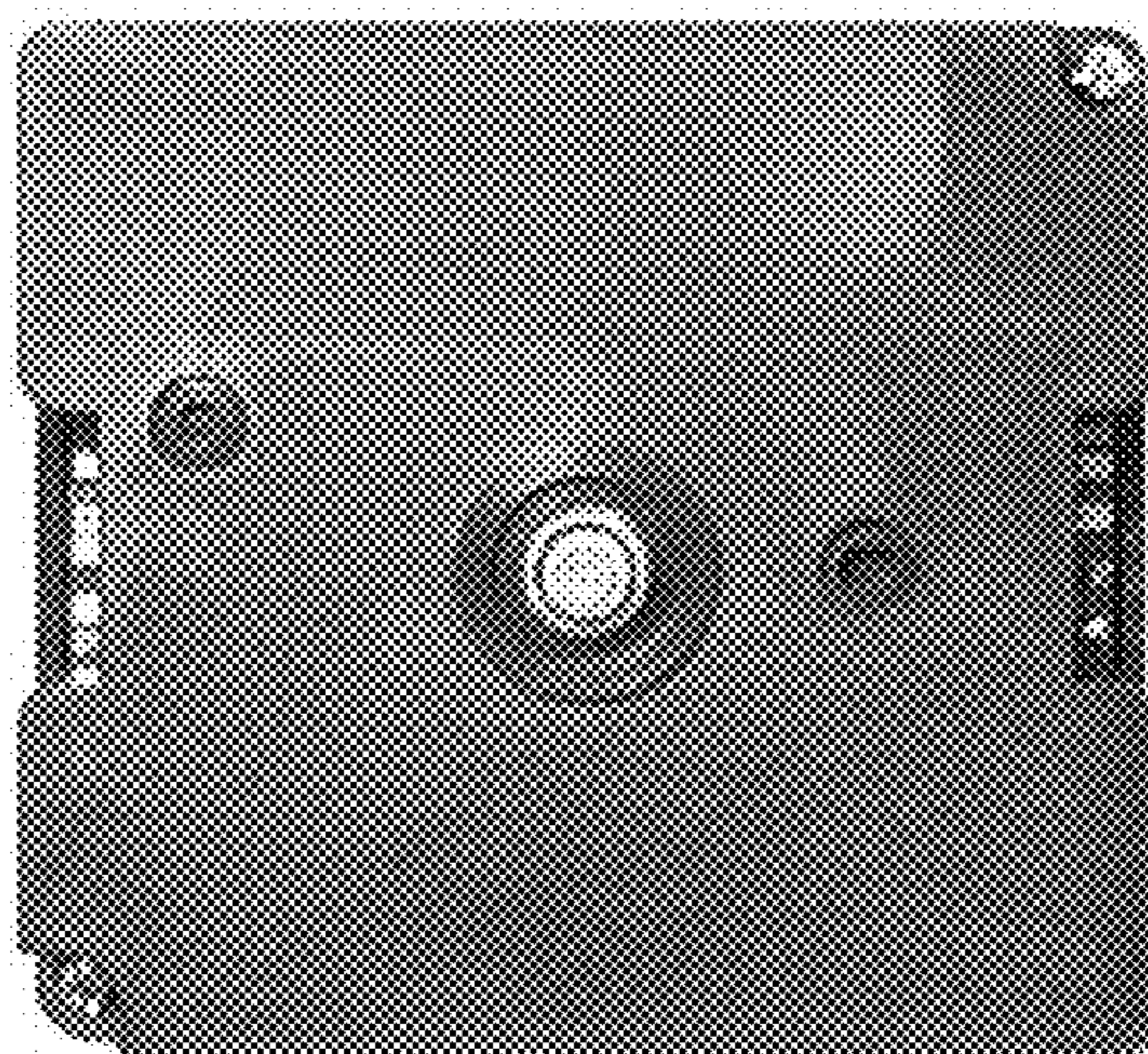


FIG. 2

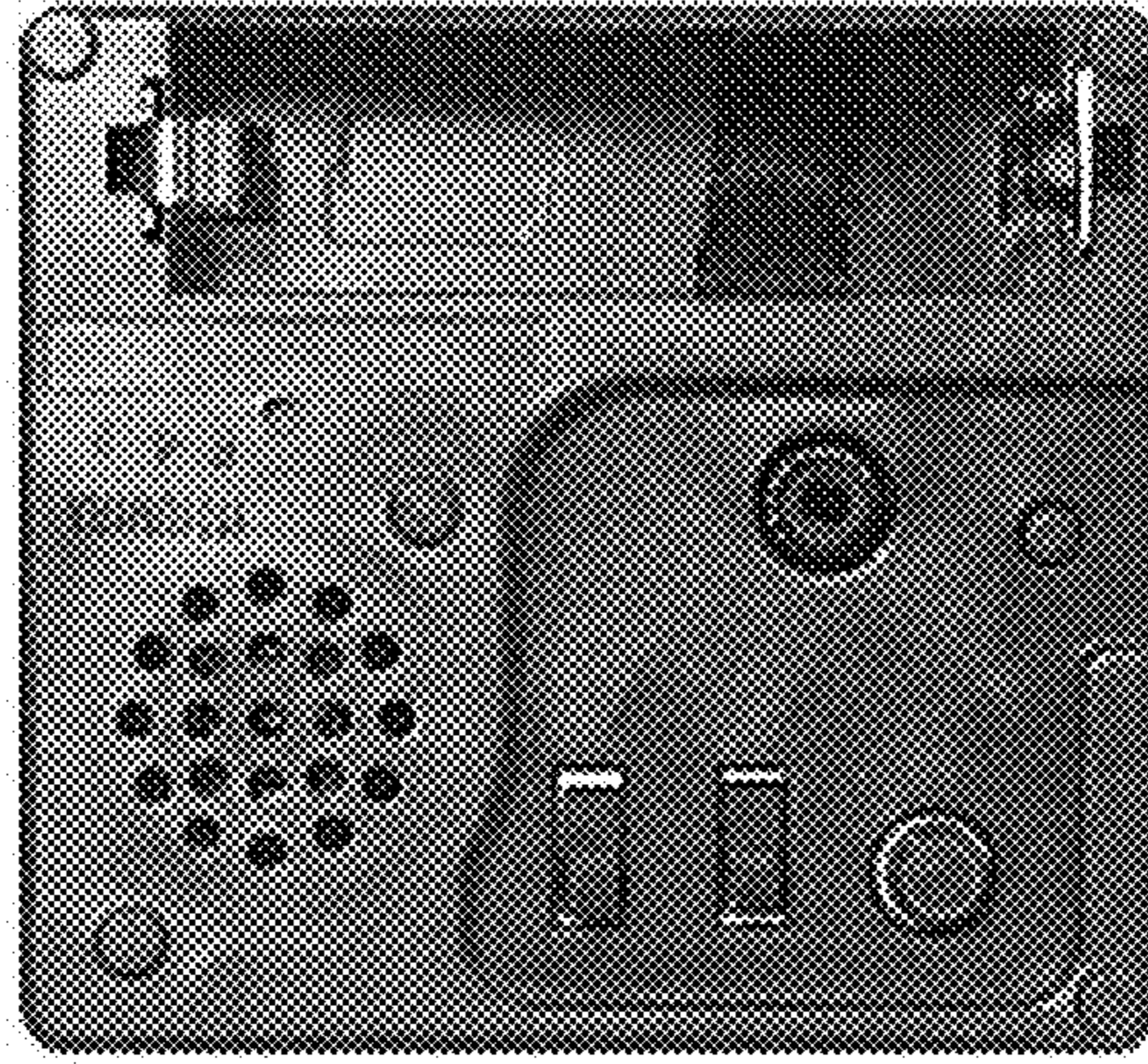


FIG. 3

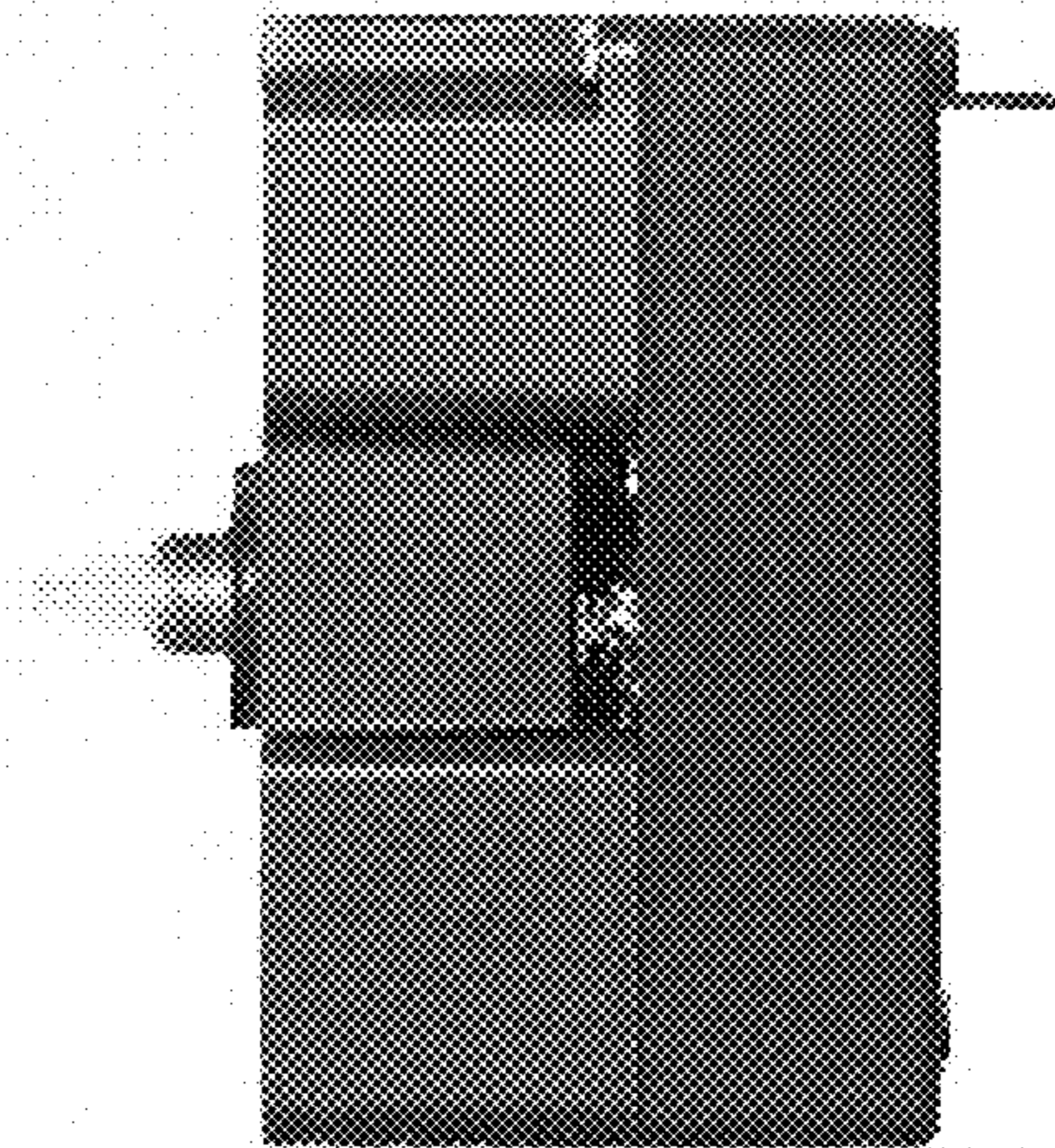


FIG. 4

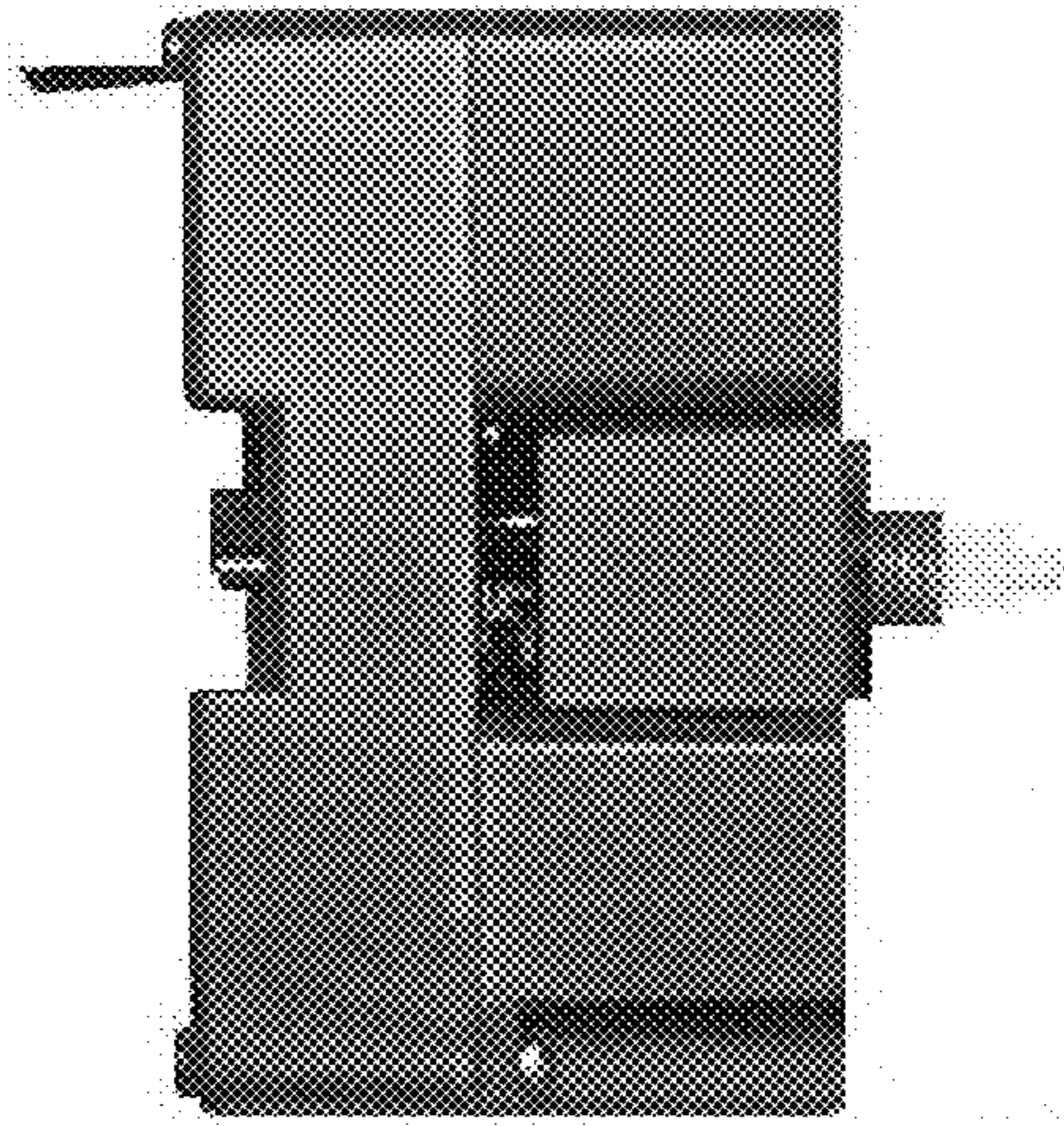


FIG. 5

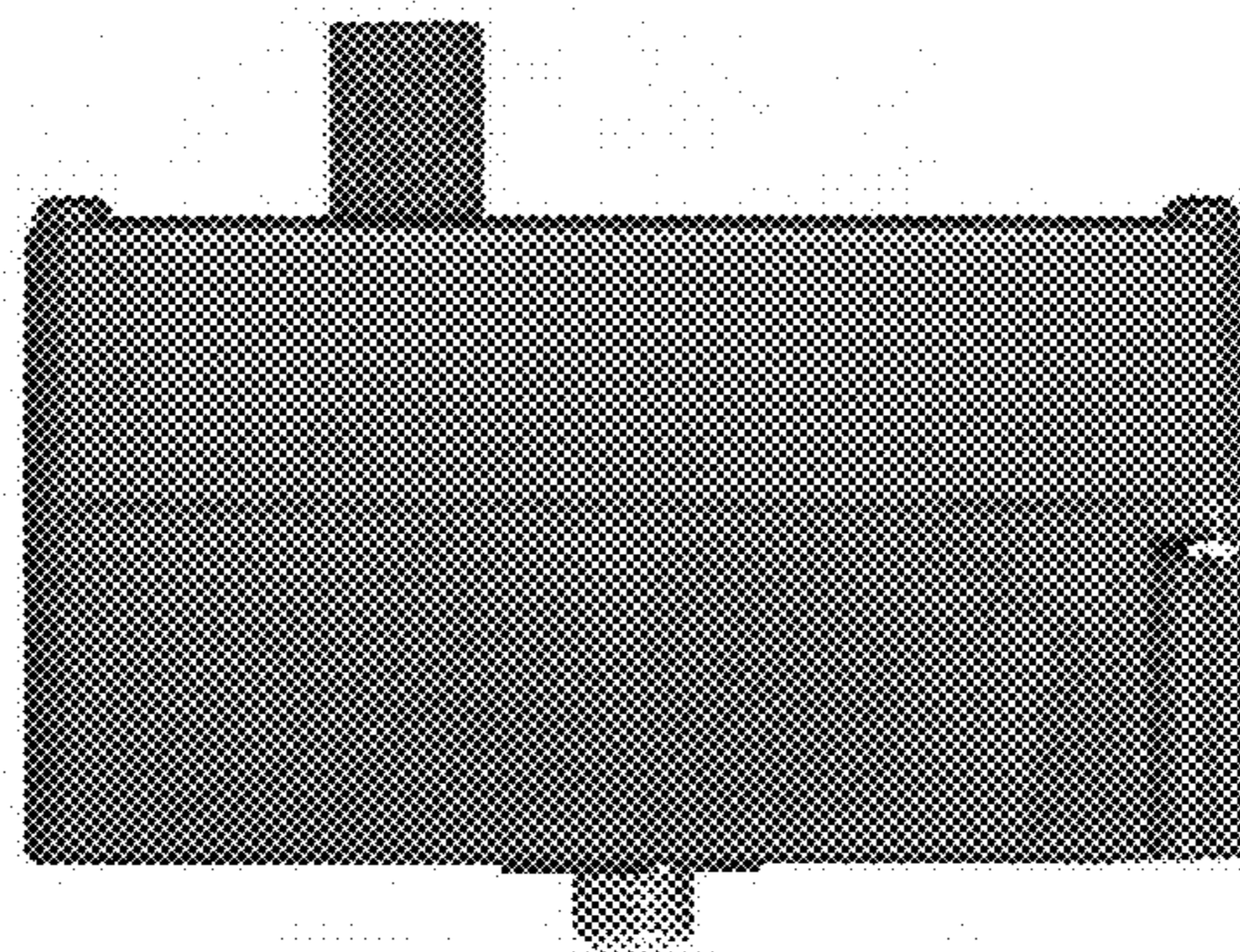


FIG. 6

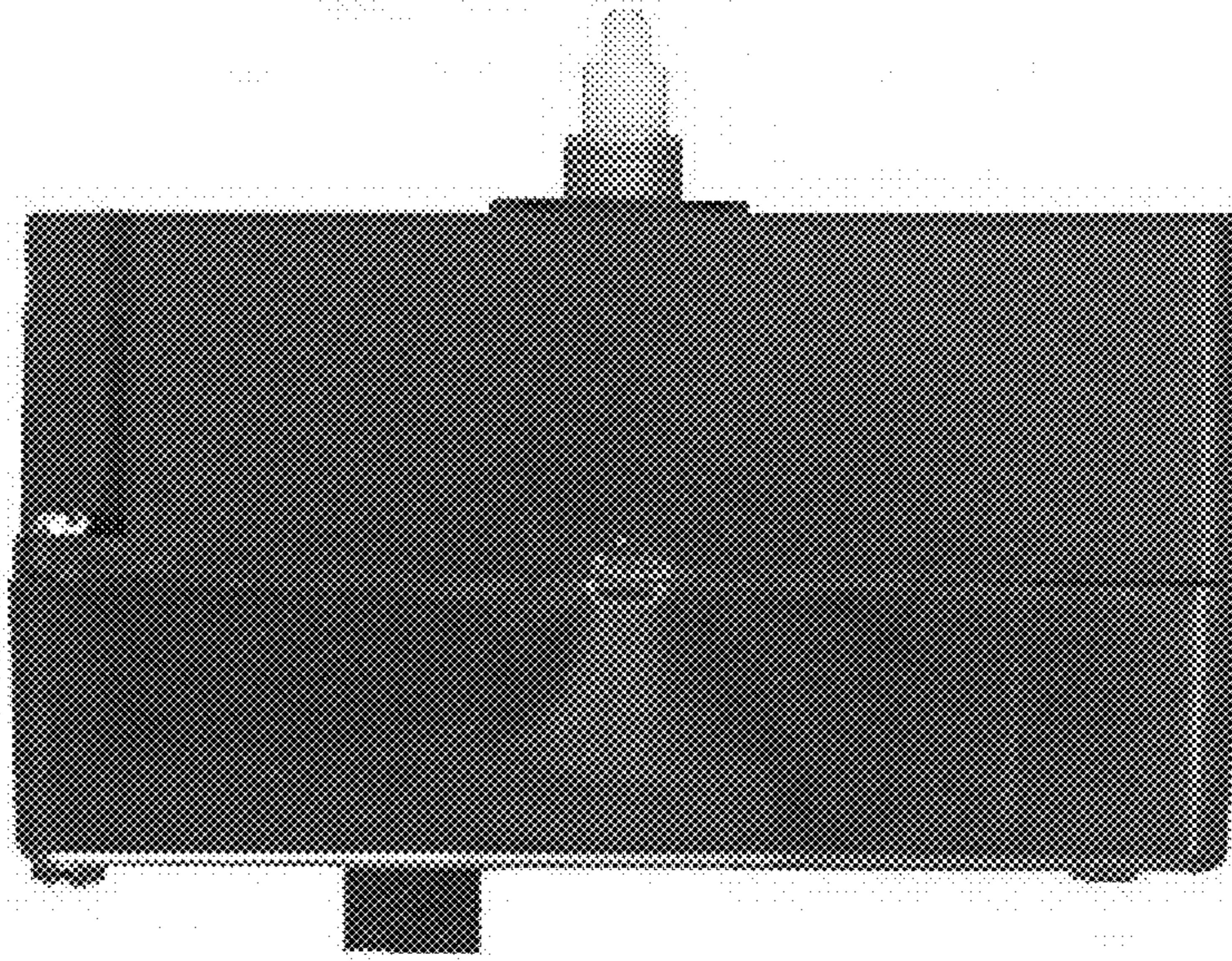


FIG. 7