



US00D630116S

(12) **United States Design Patent**  
**Morales**

(10) **Patent No.:** **US D630,116 S**

(45) **Date of Patent:** **\*\* Jan. 4, 2011**

(54) **HANDICAPPED PARKING DESIGN**

(76) Inventor: **Oslavio Morales**, 114 SW. Voltair Ter.,  
Port St. Lucie, FL (US) 34984

(\*\*) Term: **14 Years**

(21) Appl. No.: **29/339,192**

(22) Filed: **Jun. 25, 2009**

(51) **LOC (9) Cl.** ..... **10-05**

(52) **U.S. Cl.** ..... **D10/109**

(58) **Field of Classification Search** ..... D10/109,  
D10/114; 116/211, 209, 234, 63 R, 63 P,  
116/63 C, 63 T; 404/9-16; D25/132; 340/500;  
362/183; 40/543, 547, 607.11; D20/106,  
D20/17, 41

See application file for complete search history.

(56) **References Cited**

**U.S. PATENT DOCUMENTS**

4,384,317 A	5/1983	Stackpole	
5,134,550 A	7/1992	Young	
5,143,285 A	9/1992	Wise	
5,819,455 A	10/1998	Tsuda	
D404,842 S	1/1999	Hurst	
D424,734 S *	5/2000	Gager et al. ....	D26/106
6,092,318 A *	7/2000	Arie et al. ....	40/547
6,131,321 A	10/2000	Daigle, Jr.	

6,422,714 B1	7/2002	Hubbell	
6,739,732 B2	5/2004	Tseng	
D491,608 S *	6/2004	Strunk et al. ....	D20/41
D589,092 S *	3/2009	Glover .....	D20/19
2001/0039750 A1 *	11/2001	Venegas, Jr. ....	40/607
2007/0002561 A1 *	1/2007	Tesmer et al. ....	362/183
2009/0174542 A1 *	7/2009	Gentry et al. ....	340/500
2009/0183405 A1 *	7/2009	Wilkes .....	40/543

\* cited by examiner

*Primary Examiner*—Caron Veynar

*Assistant Examiner*—George D Kirschbaum

(57) **CLAIM**

The ornamental design for a new handicapped parking design, as shown and described.

**DESCRIPTION**

FIG. 1 is a perspective view of a new handicapped parking design showing my new design;

FIG. 2 is a front view thereof;

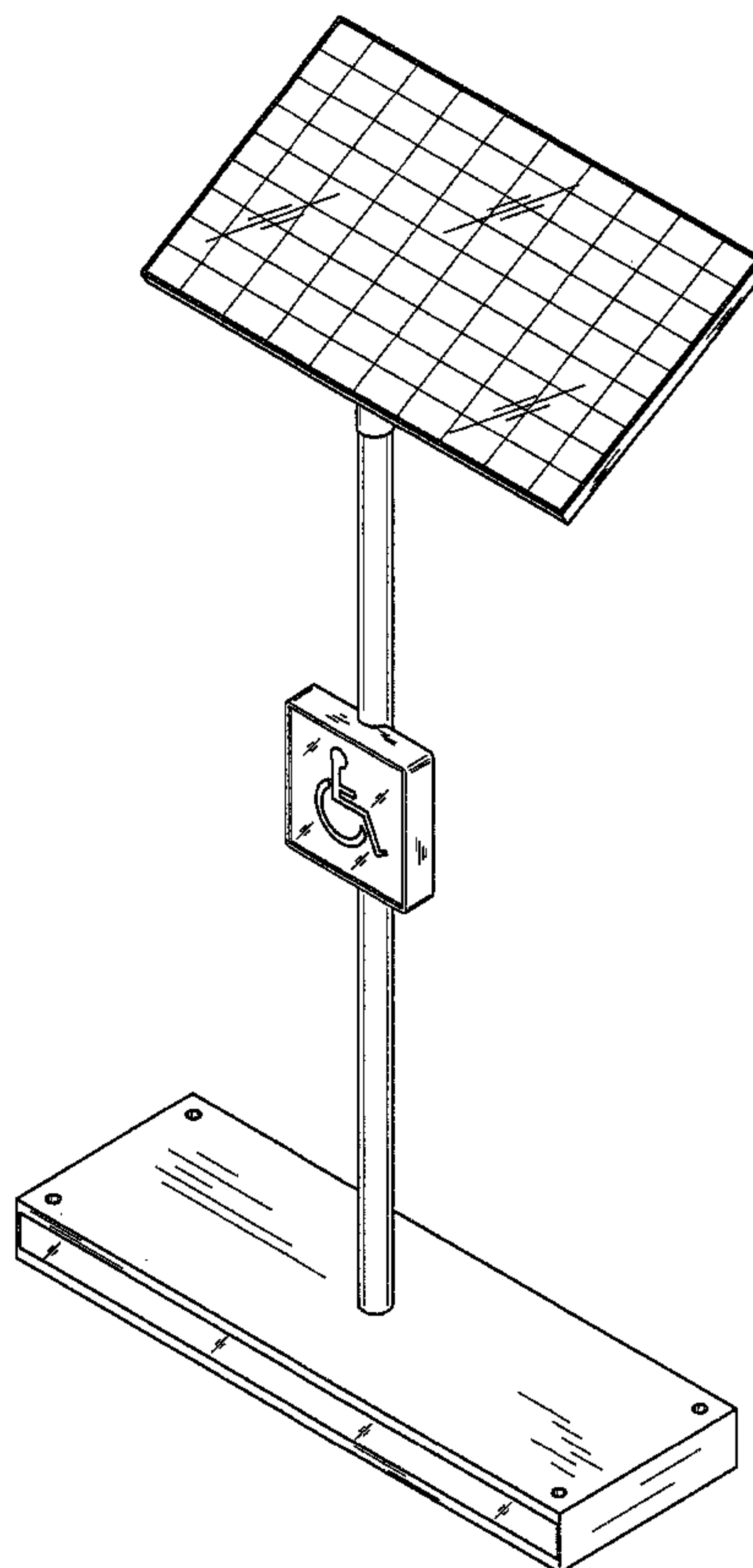
FIG. 3 is a back view thereof;

FIG. 4 is a side view thereof (opposite side is mirror image);

FIG. 5 is a top view thereof; and,

FIG. 6 is a bottom view thereof.

**1 Claim, 5 Drawing Sheets**



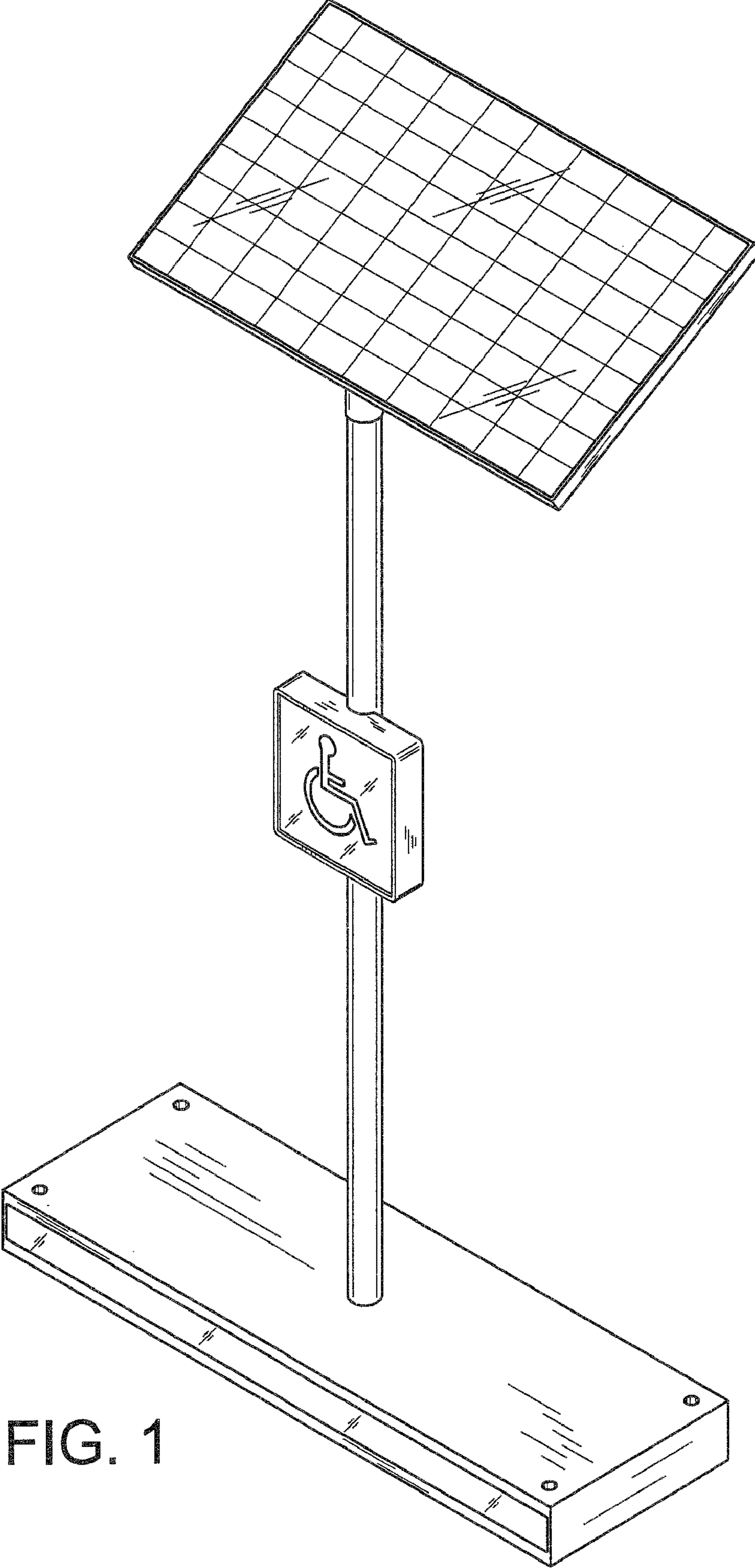


FIG. 1

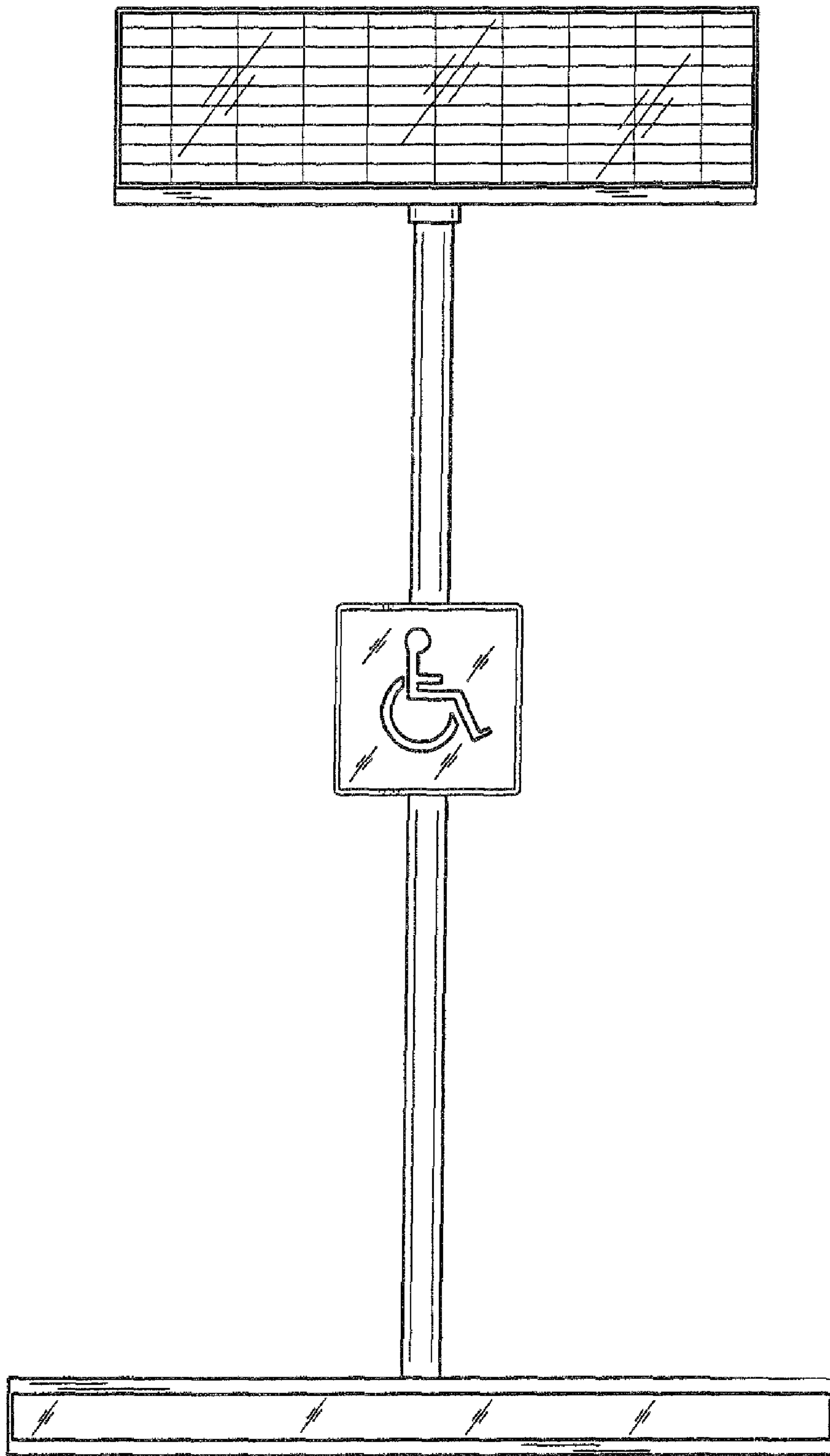


FIG. 2

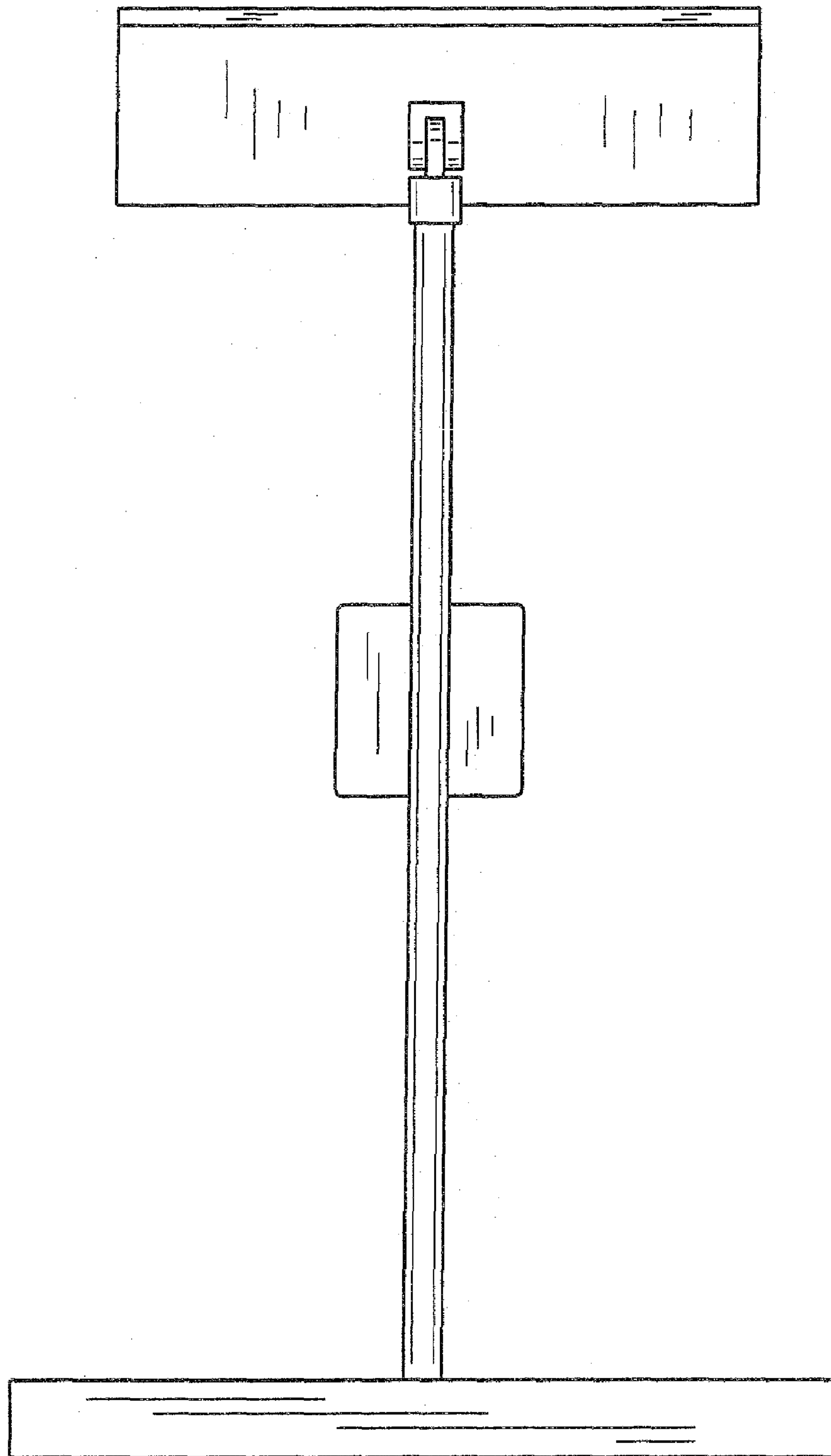


FIG. 3

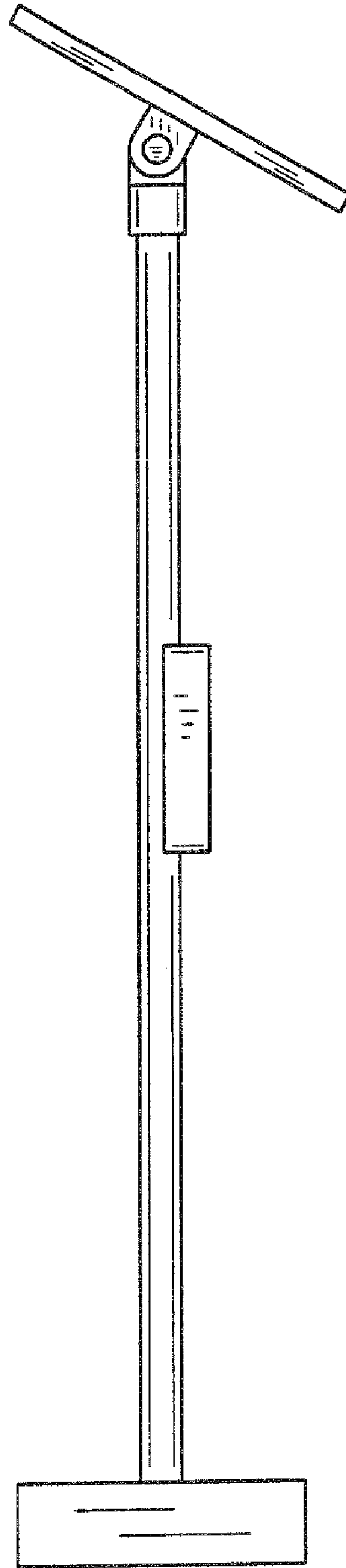


FIG. 4



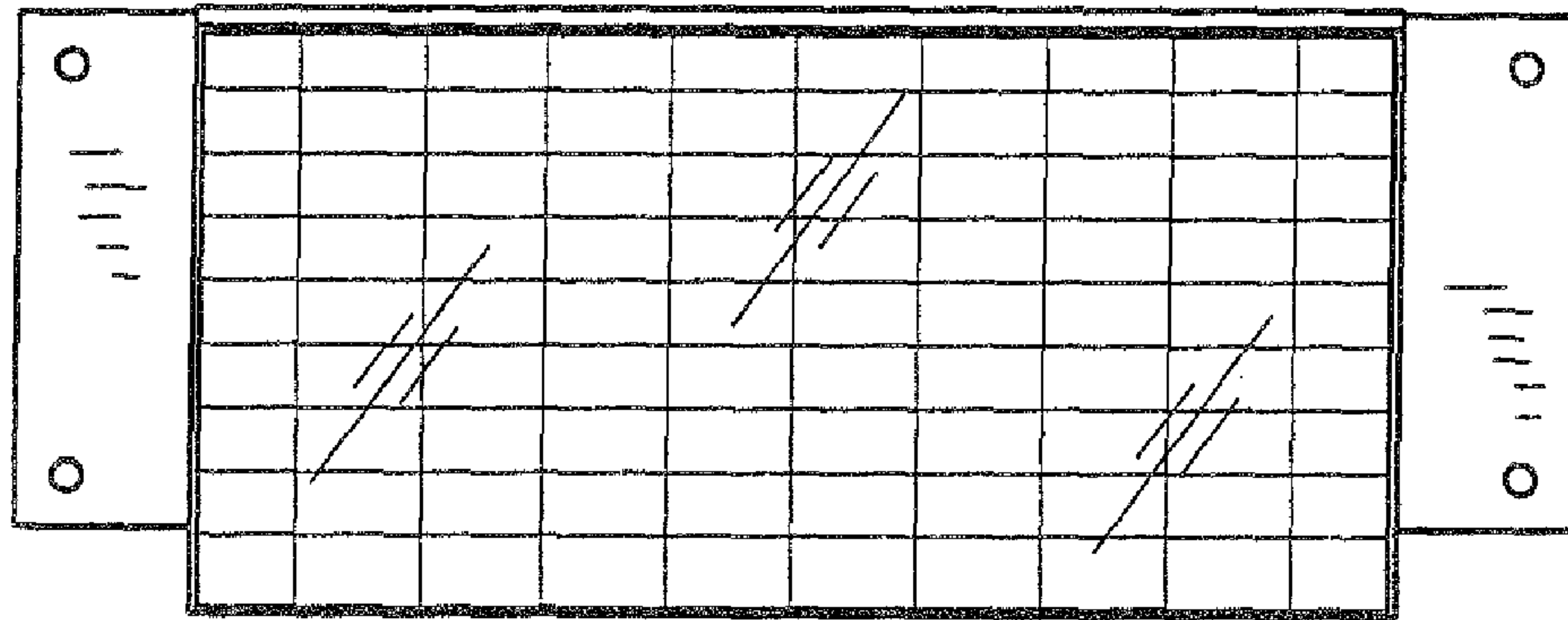


FIG. 5

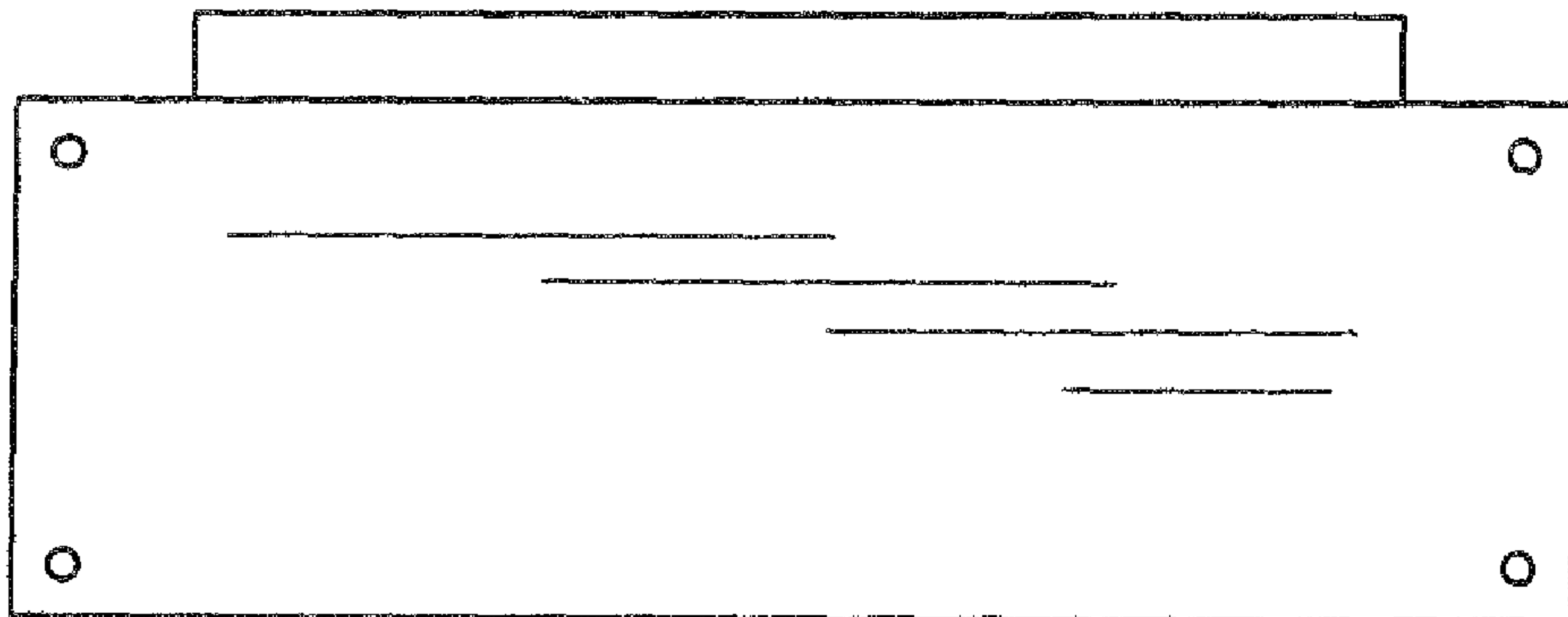


FIG. 6