



US00D630113S

(12) **United States Design Patent**  
**Orr et al.**

(10) **Patent No.:** **US D630,113 S**

(45) **Date of Patent:** **\*\* Jan. 4, 2011**

(54) **ANALYTE TEST METER**

(75) Inventors: **Allan Orr**, Inverness (GB); **Allan Faulkner**, Avoch (GB); **Sophie Edgar**, Inverness (GB); **Nicholas Foley**, Edinburgh (GB); **Simon Salter**, Edinburgh (GB); **Colin Crosland**, Edinburgh (GB); **Martin Crofton**, Edinburgh (GB); **Adelio Enzo Alfiero Bolognesi**, Como (IT); **Luca Valsecchi**, Milan (IT); **Rochelle Kleinberg**, New York, NY (US)

(73) Assignee: **Lifescan Scotland Limited**, Inverness, Scotland (GB)

(\*\*) Term: **14 Years**

(21) Appl. No.: **29/344,707**

(22) Filed: **Oct. 2, 2009**

(51) **LOC (9) Cl.** ..... **10-04**

(52) **U.S. Cl.** ..... **D10/81**

(58) **Field of Classification Search** ..... D10/78, D10/81; D24/107, 186, 232; 324/72.5, 110, 324/114-115, 149, 151 A, 158 F, 156; 340/653, 340/660; 439/482; 422/63-83, 99, 100, 422/58, 61, 82.05; 423/43; 436/164, 166, 436/169, 605; 356/246

See application file for complete search history.

(56) **References Cited**

U.S. PATENT DOCUMENTS

D510,711 S \* 10/2005 Syme et al. .... D10/81  
D546,216 S \* 7/2007 Bolognesi et al. .... D10/81

D576,896 S \* 9/2008 Radle et al. .... D10/78

D586,677 S \* 2/2009 Nothacker et al. .... D10/78

7,704,747 B2 \* 4/2010 Kim et al. .... 436/95

7,731,900 B2 \* 6/2010 Haar et al. .... 422/66

\* cited by examiner

*Primary Examiner*—Antoine D Davis

(57) **CLAIM**

We claim the ornamental design for an analyte test meter, as shown and described.

**DESCRIPTION**

FIG. 1 is a top, rear and left side perspective view of an analyte test meter;

FIG. 2 is a bottom, front and right side perspective view thereof;

FIG. 3 is a top plan view thereof;

FIG. 4 is a bottom plan view thereof;

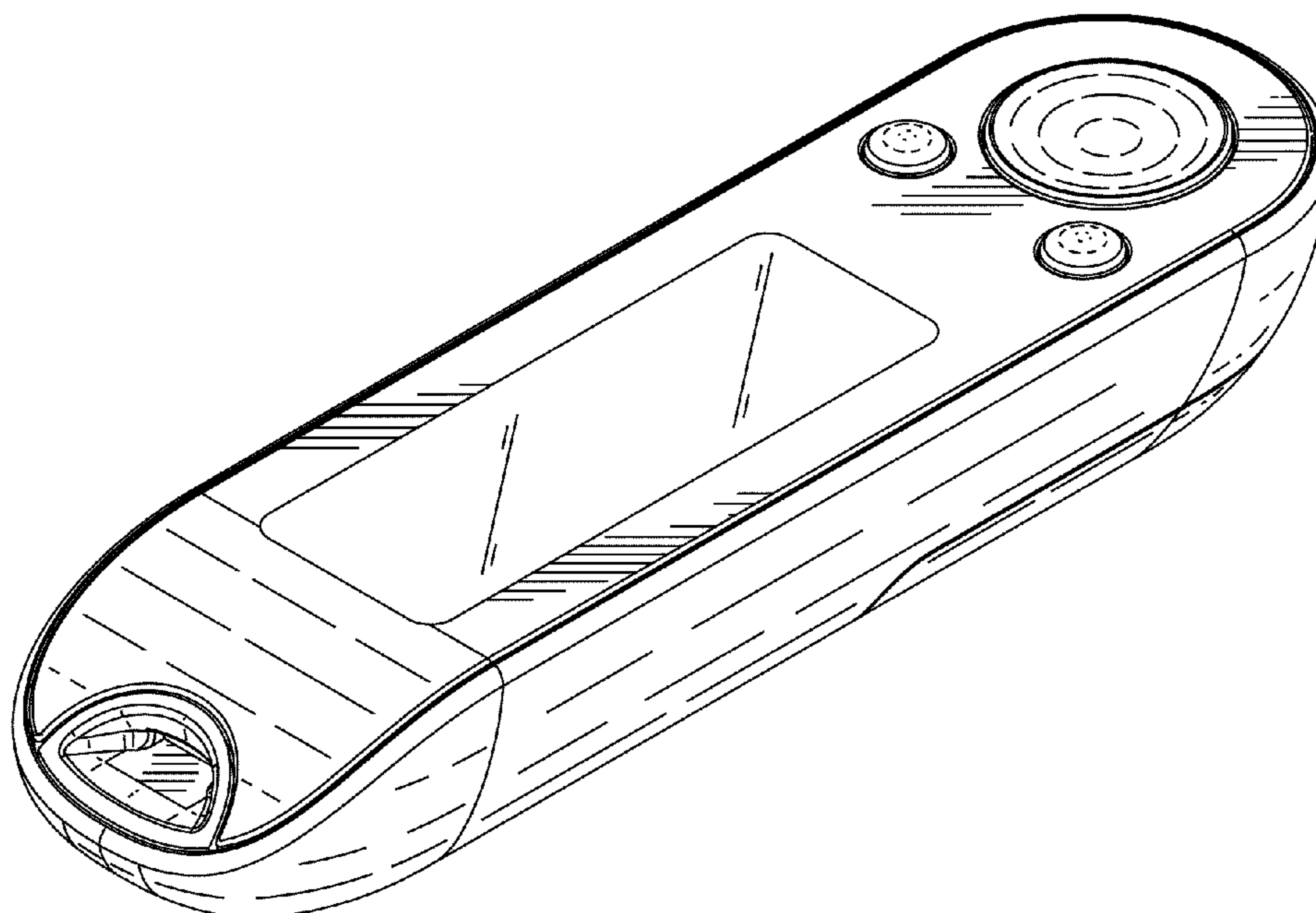
FIG. 5 is a front elevational view thereof;

FIG. 6 is a rear elevational view thereof;

FIG. 7 is a right side elevational view thereof; and,

FIG. 8 is a left side elevational view thereof.

**1 Claim, 4 Drawing Sheets**



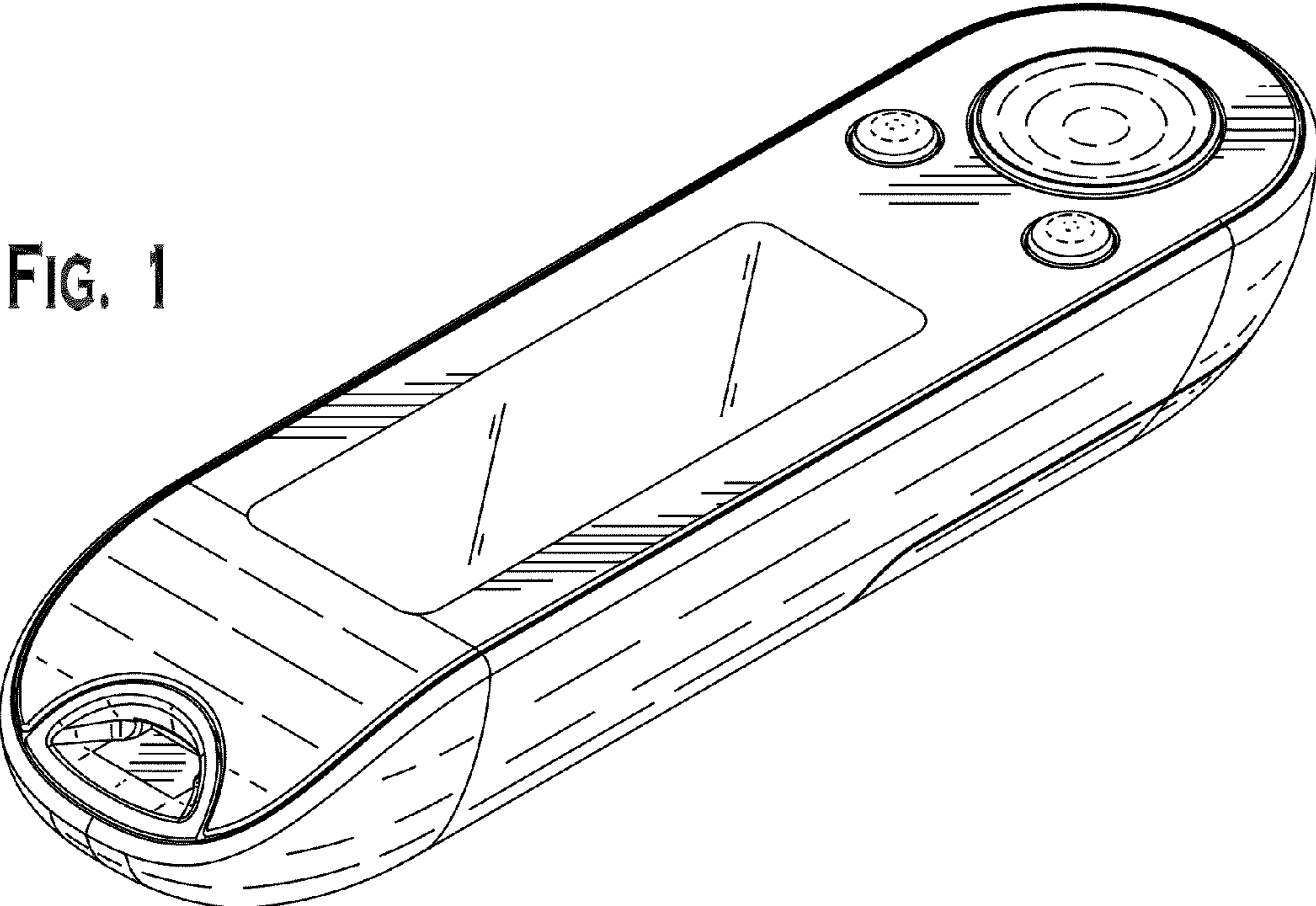


FIG. 1

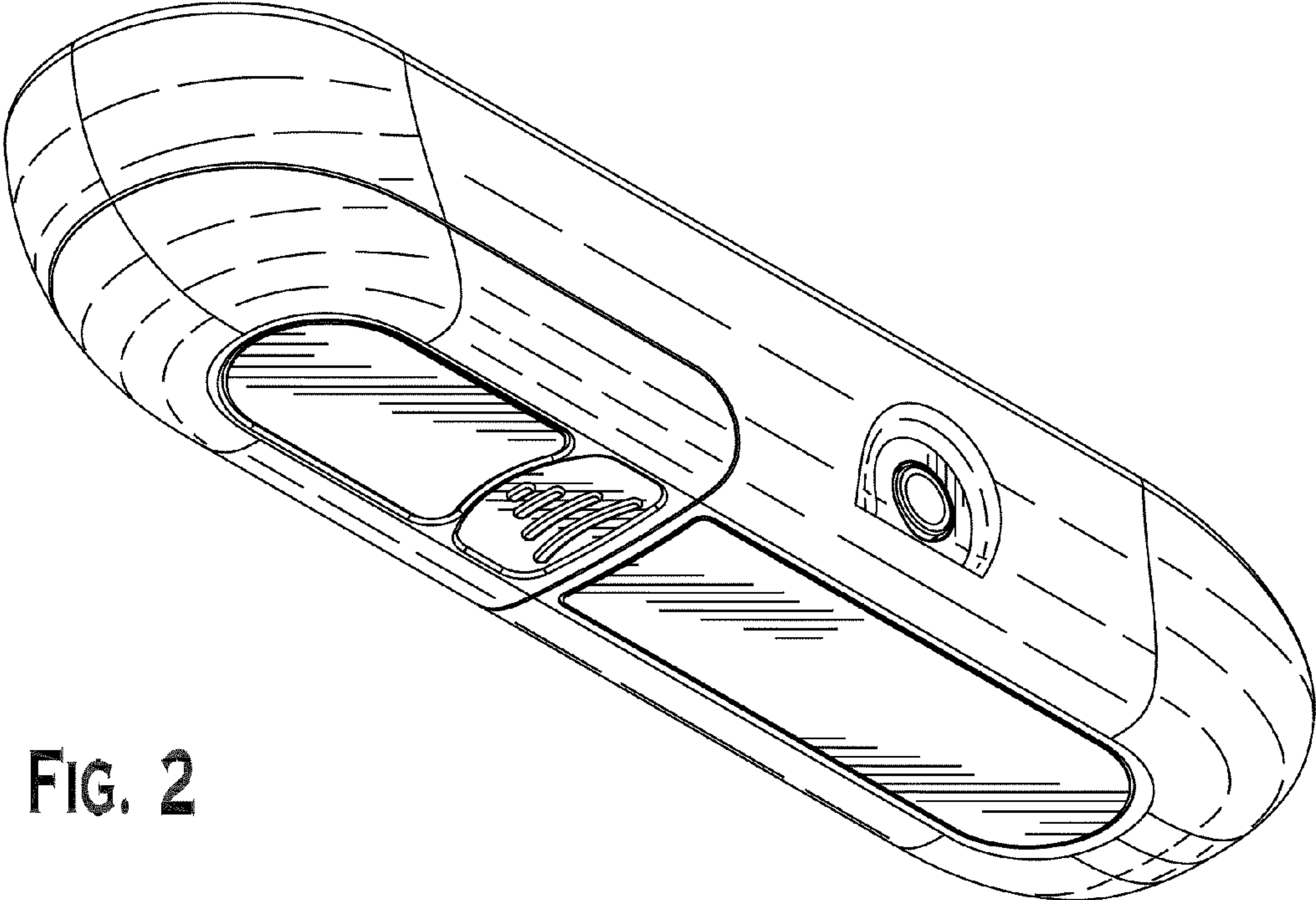


FIG. 2

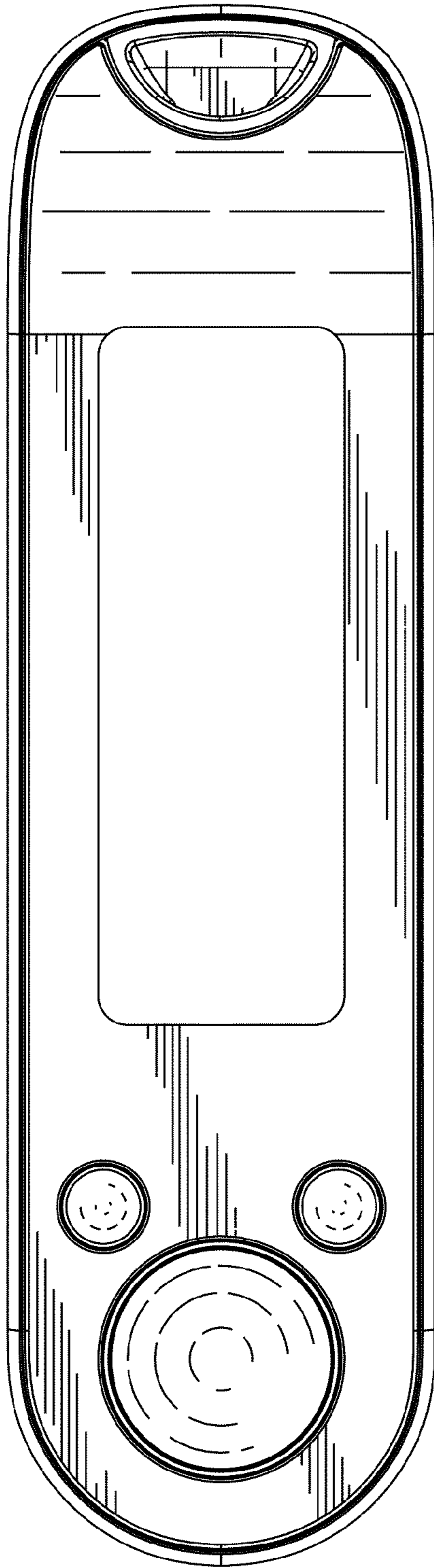


FIG. 3

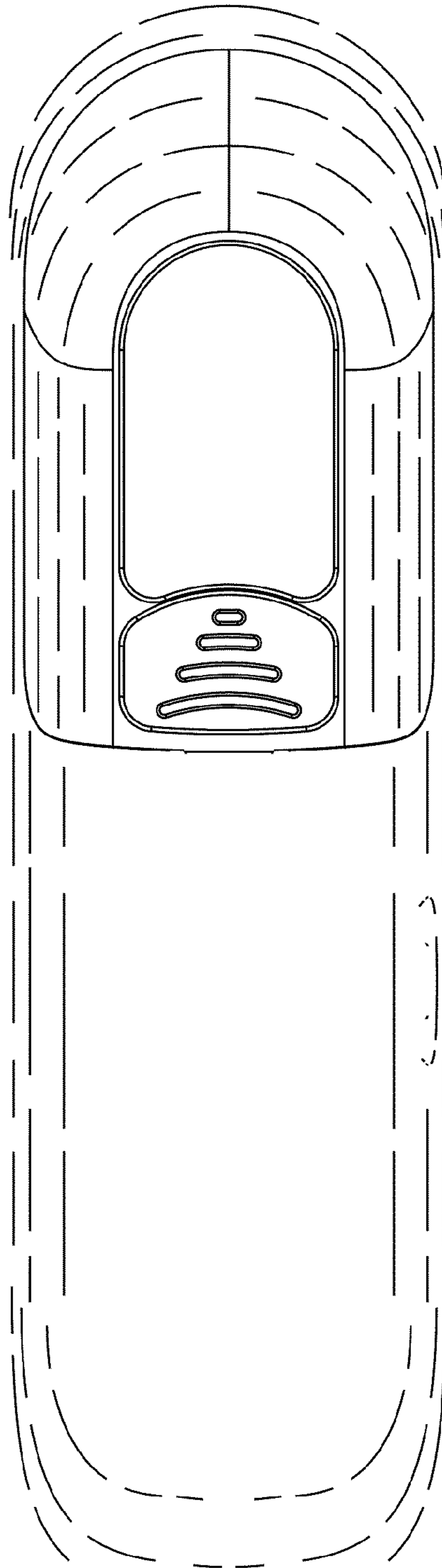
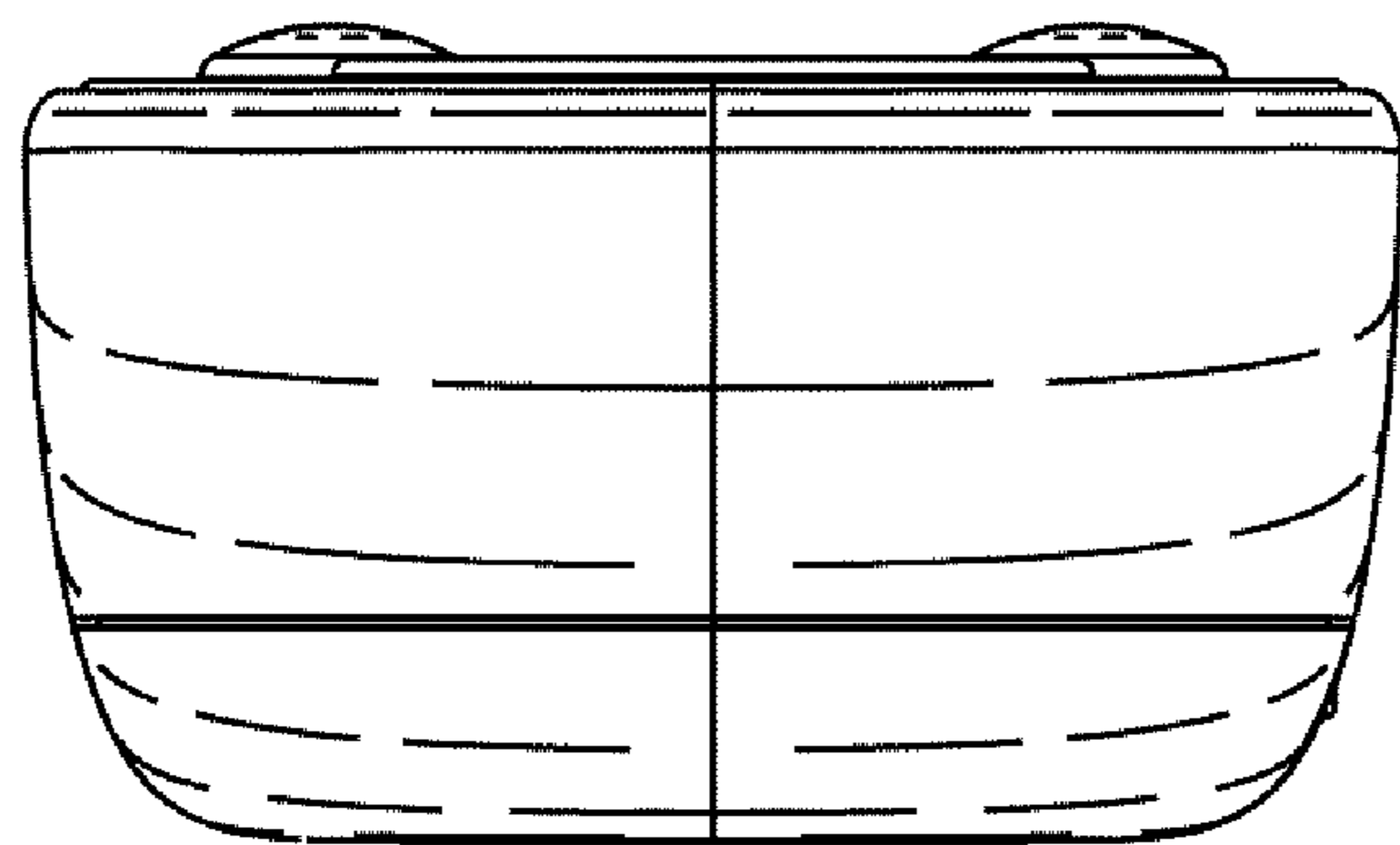
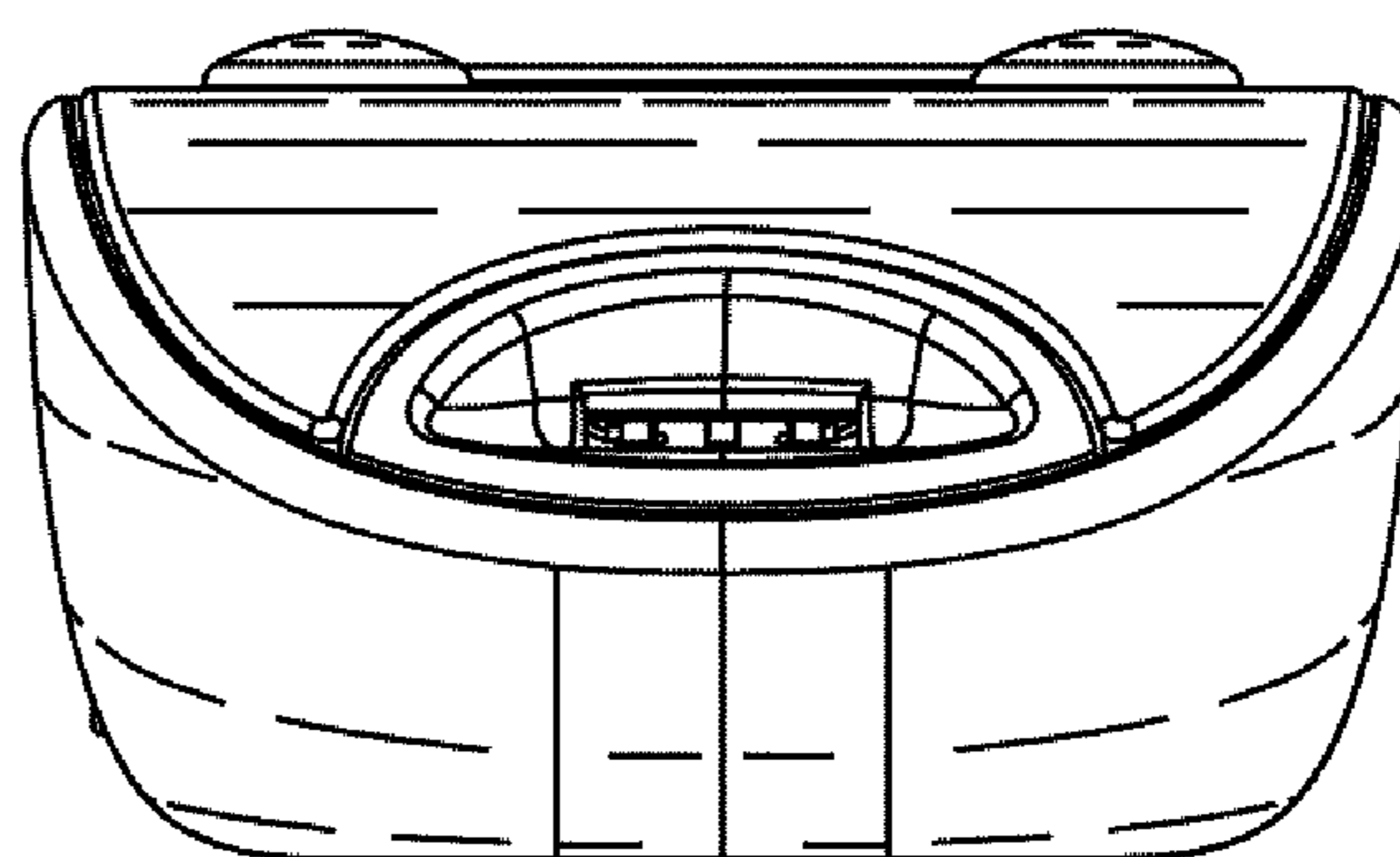


FIG. 4



**FIG. 5**



**FIG. 6**

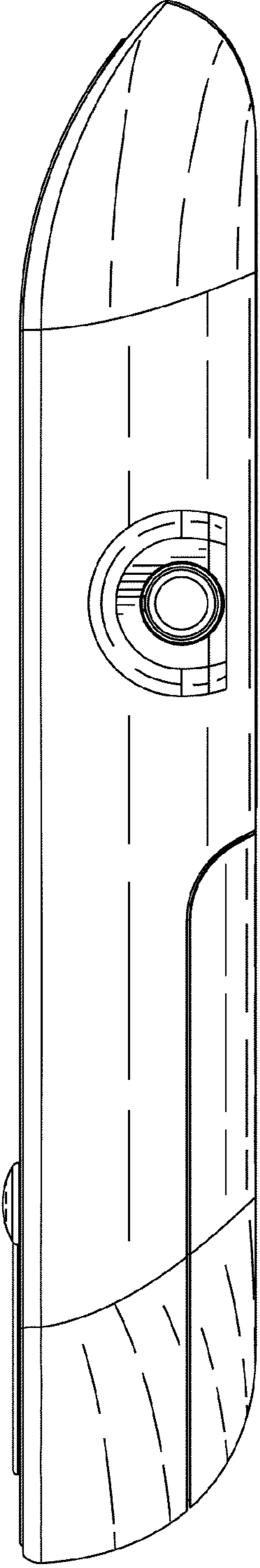


FIG. 7

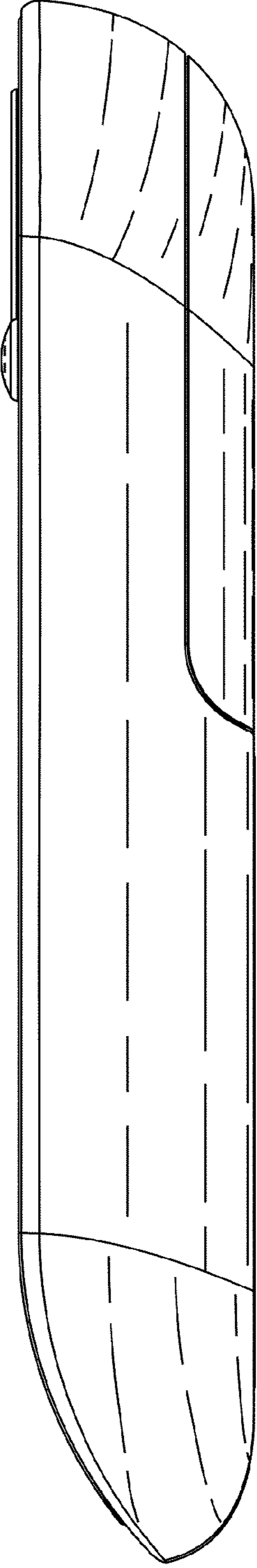


FIG. 8