



US00D630109S

(12) **United States Design Patent**
Wonderley

(10) **Patent No.:** **US D630,109 S**
(45) **Date of Patent:** **** Jan. 4, 2011**

- (54) **RAZOR CARTRIDGE DISPENSER**
 - (75) Inventor: **Jeffrey W. Wonderley**, Fort Defiance, VA (US)
 - (73) Assignee: **American Safety Razor**, Verona, VA (US)
 - (**) Term: **14 Years**
 - (21) Appl. No.: **29/361,442**
 - (22) Filed: **May 11, 2010**
 - (51) **LOC (9) Cl.** **09-03**
 - (52) **U.S. Cl.** **D9/748**
 - (58) **Field of Classification Search** D9/749, D9/737, 748, 415; D6/526, 512; D3/201, D3/205; 206/349, 228, 244, 252, 775, 208, 206/493, 354–360, 352; 30/514
- See application file for complete search history.

- 6,499,595 B1 12/2002 Petricca
- 6,648,140 B2 11/2003 Petricca
- 6,886,690 B2 5/2005 Petricca
- 7,040,024 B2 * 5/2006 Lukan et al. 30/541
- D558,063 S 12/2007 Kohring
- 7,413,078 B2 8/2008 Fischer et al.
- D579,347 S 10/2008 Kohring
- D596,953 S * 7/2009 Wonderley et al. D9/749
- 7,631,757 B2 12/2009 Petricca
- D620,376 S * 7/2010 Peyser et al. D9/749

* cited by examiner

Primary Examiner—Mark A Goodwin

(74) *Attorney, Agent, or Firm*—McDermott Will & Emery LLP

(57) **CLAIM**

The ornamental design for a razor cartridge dispenser, as shown and described.

DESCRIPTION

FIG. 1 is a front perspective view of the razor cartridge dispenser, showing the new design;

FIG. 2 is a front view of the razor cartridge dispenser;

FIG. 3 is a rear view of the razor cartridge dispenser;

FIG. 4 is a side view of the razor cartridge dispenser;

FIG. 5 is another side view of the razor cartridge dispenser;

FIG. 6 is a top view of the razor cartridge dispenser; and,

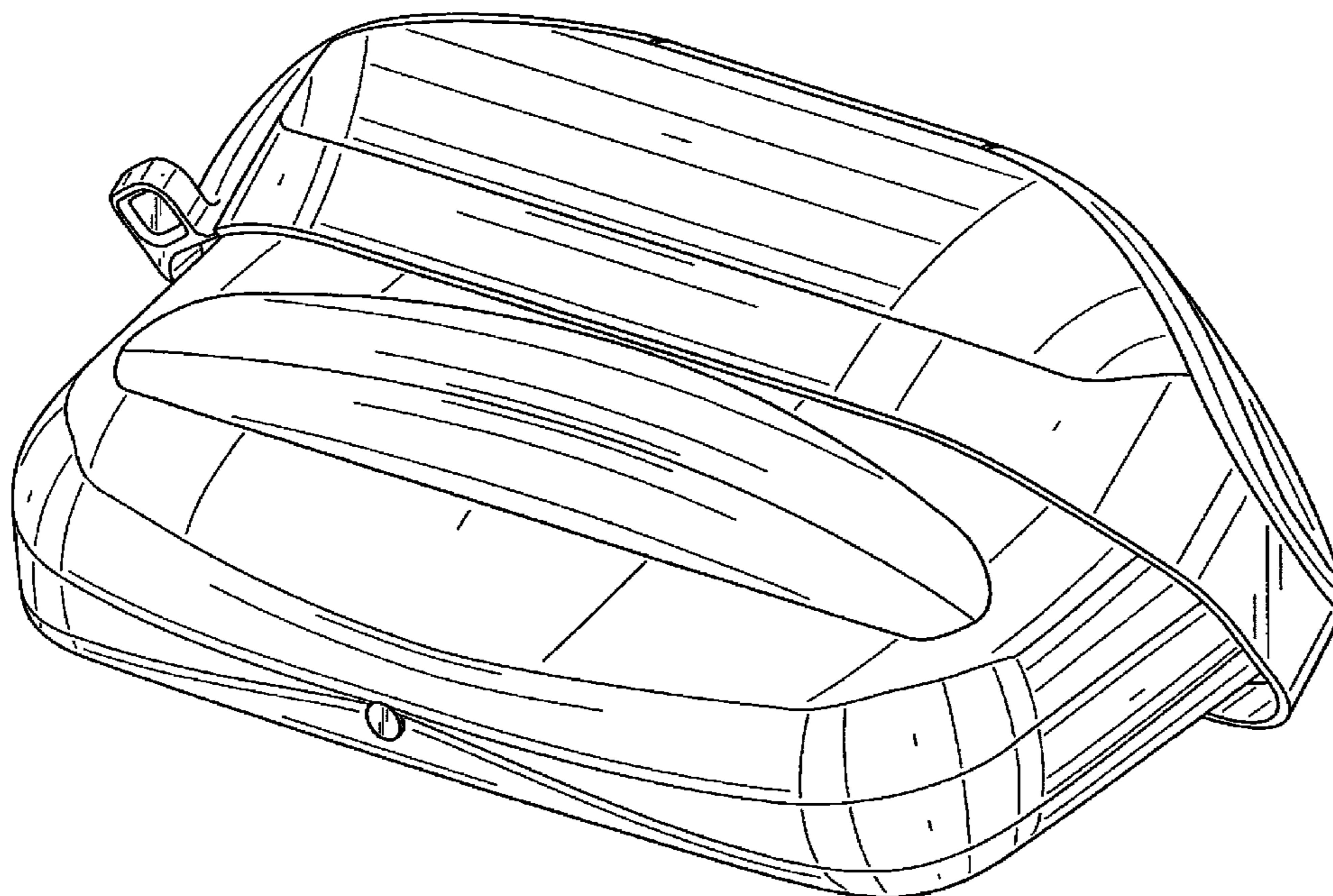
FIG. 7 is a bottom view of the razor cartridge dispenser.

1 Claim, 7 Drawing Sheets

(56) **References Cited**

U.S. PATENT DOCUMENTS

- 2,070,430 A * 2/1937 Wallenthin 206/228
- D259,596 S * 6/1981 Gray D3/205
- 5,867,907 A 2/1999 Terry et al.
- 6,041,926 A 3/2000 Petricca et al.
- 6,052,903 A 4/2000 Metcalf et al.
- 6,085,426 A 7/2000 Metcalf et al.
- D430,013 S * 8/2000 Shurtleff et al. D9/749
- 6,237,232 B1 5/2001 Petricca et al.
- 6,413,599 B1 7/2002 Petricca et al.



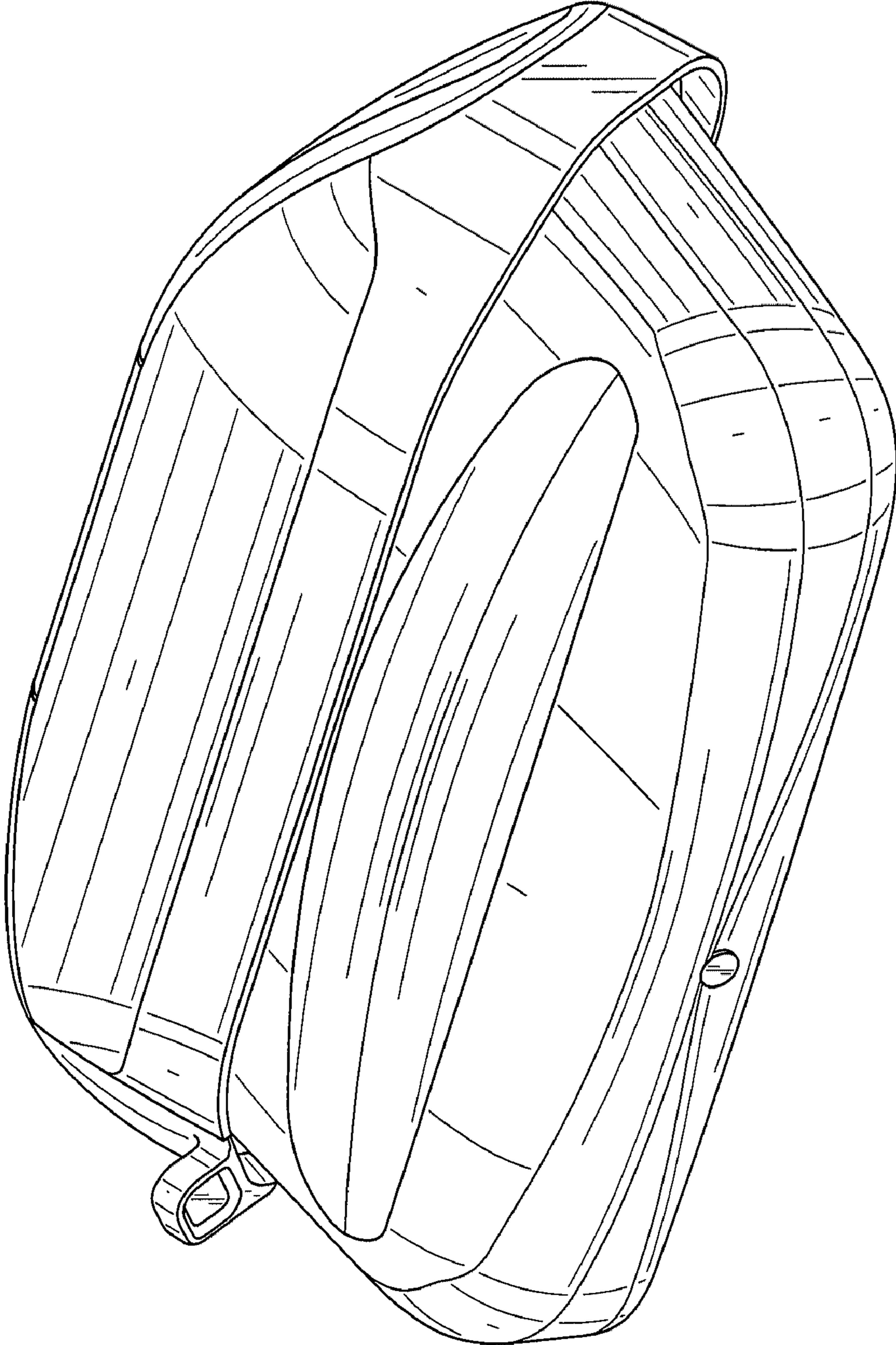


FIG. 1

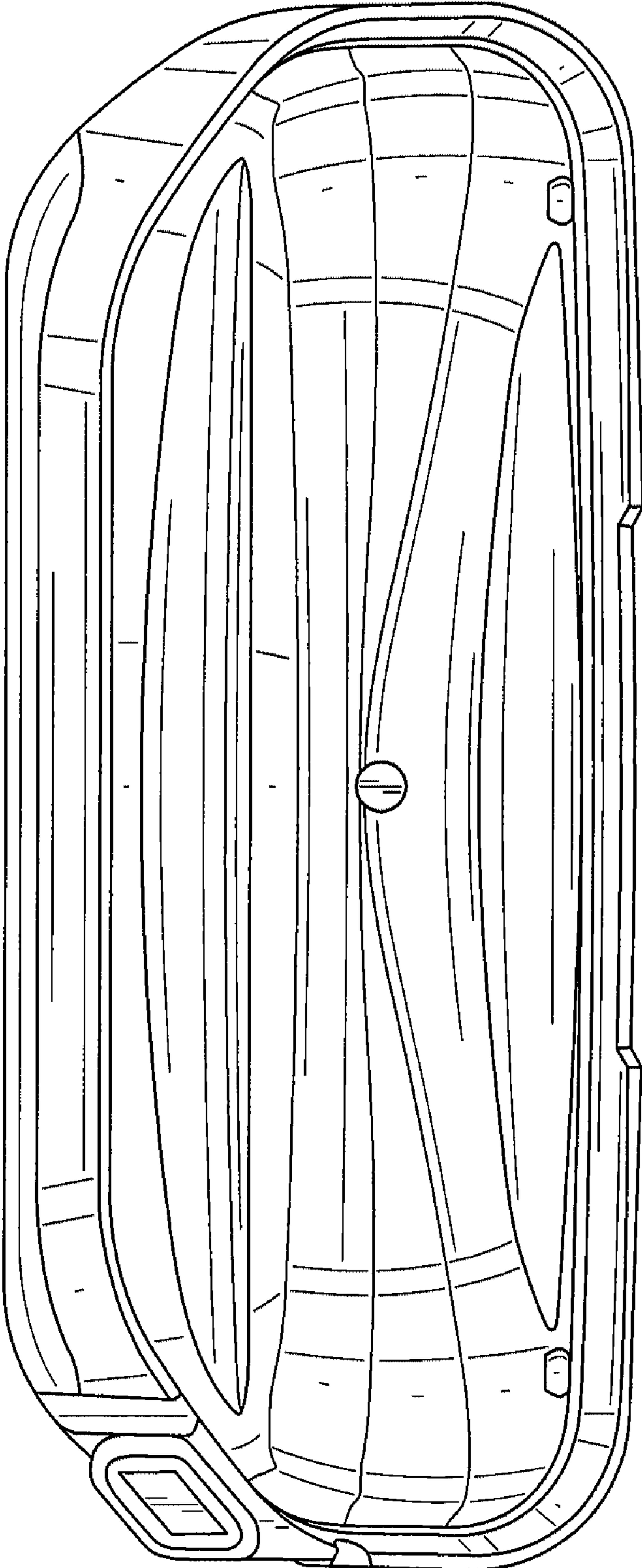


FIG. 2

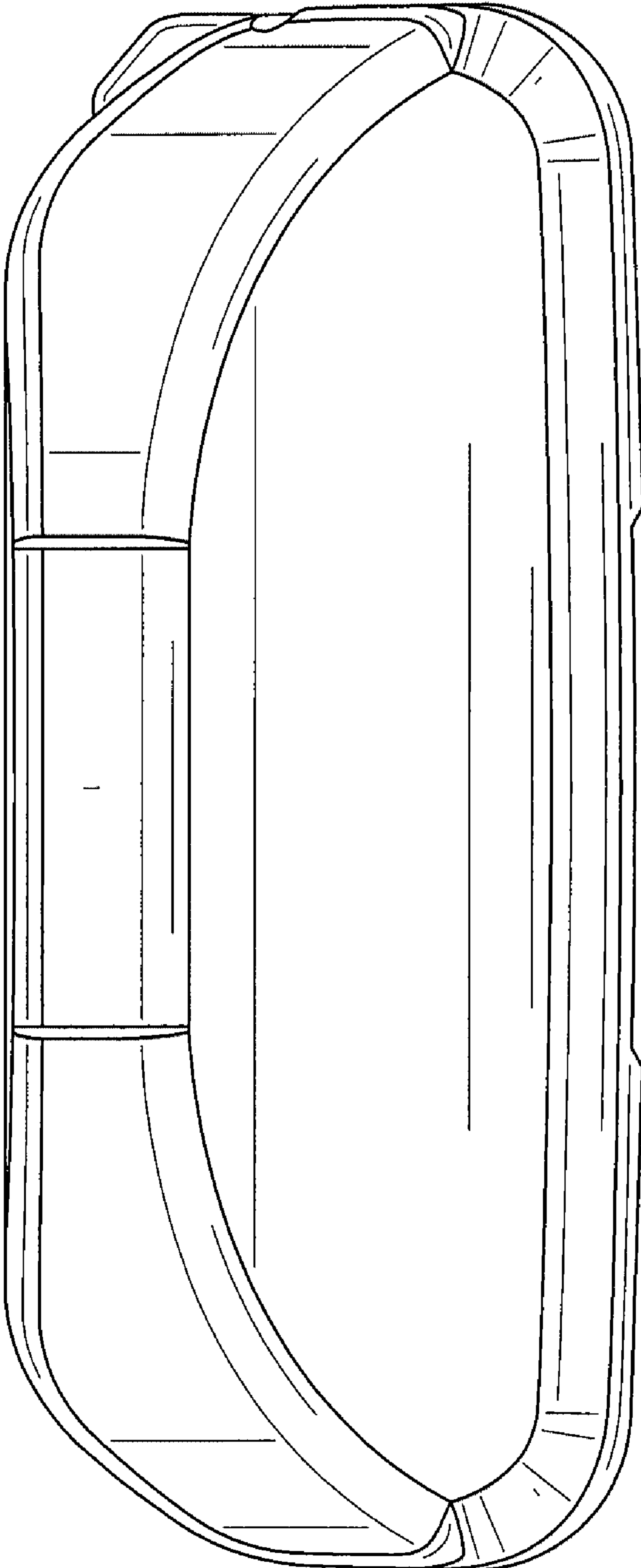


FIG. 3

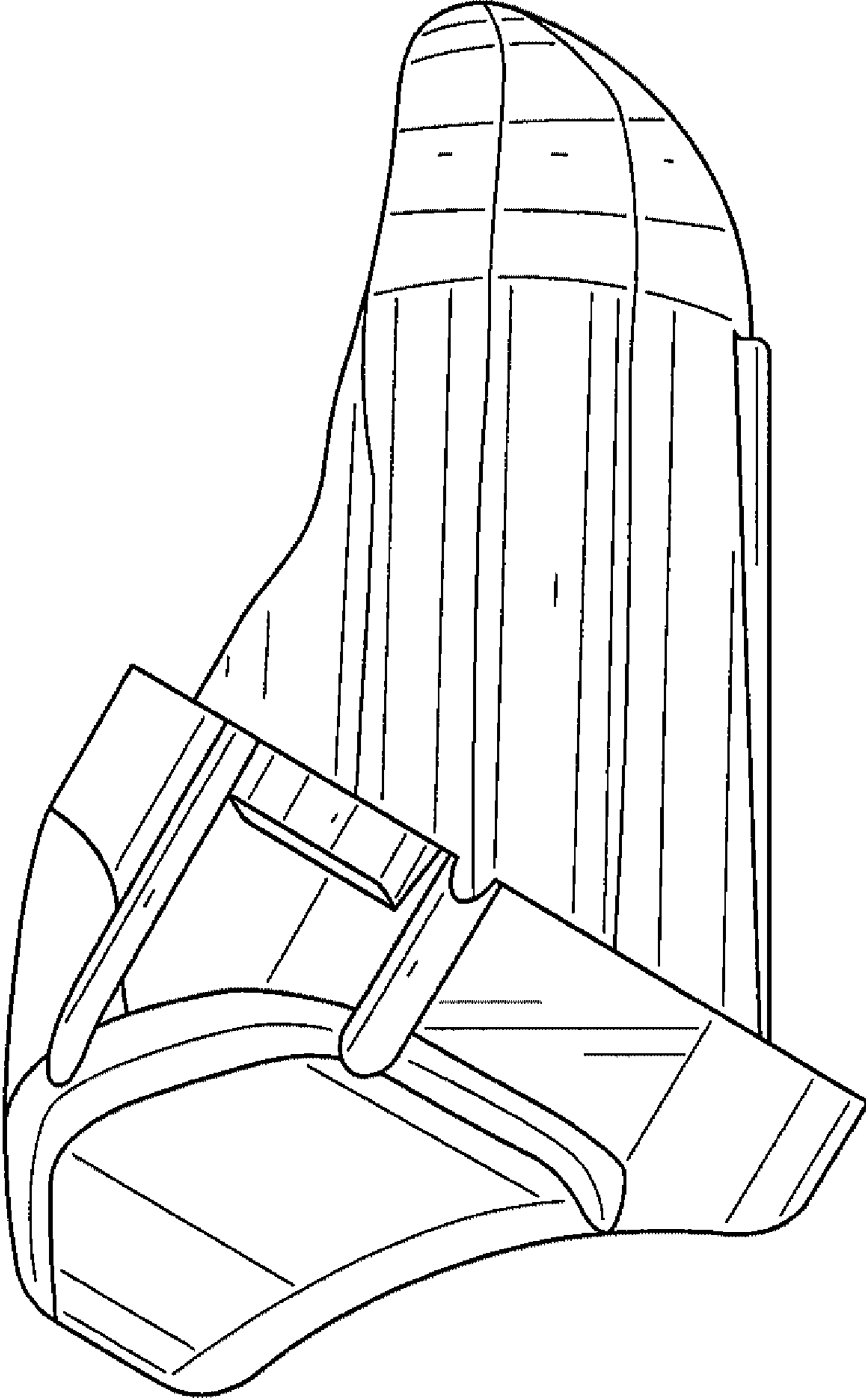


FIG. 4

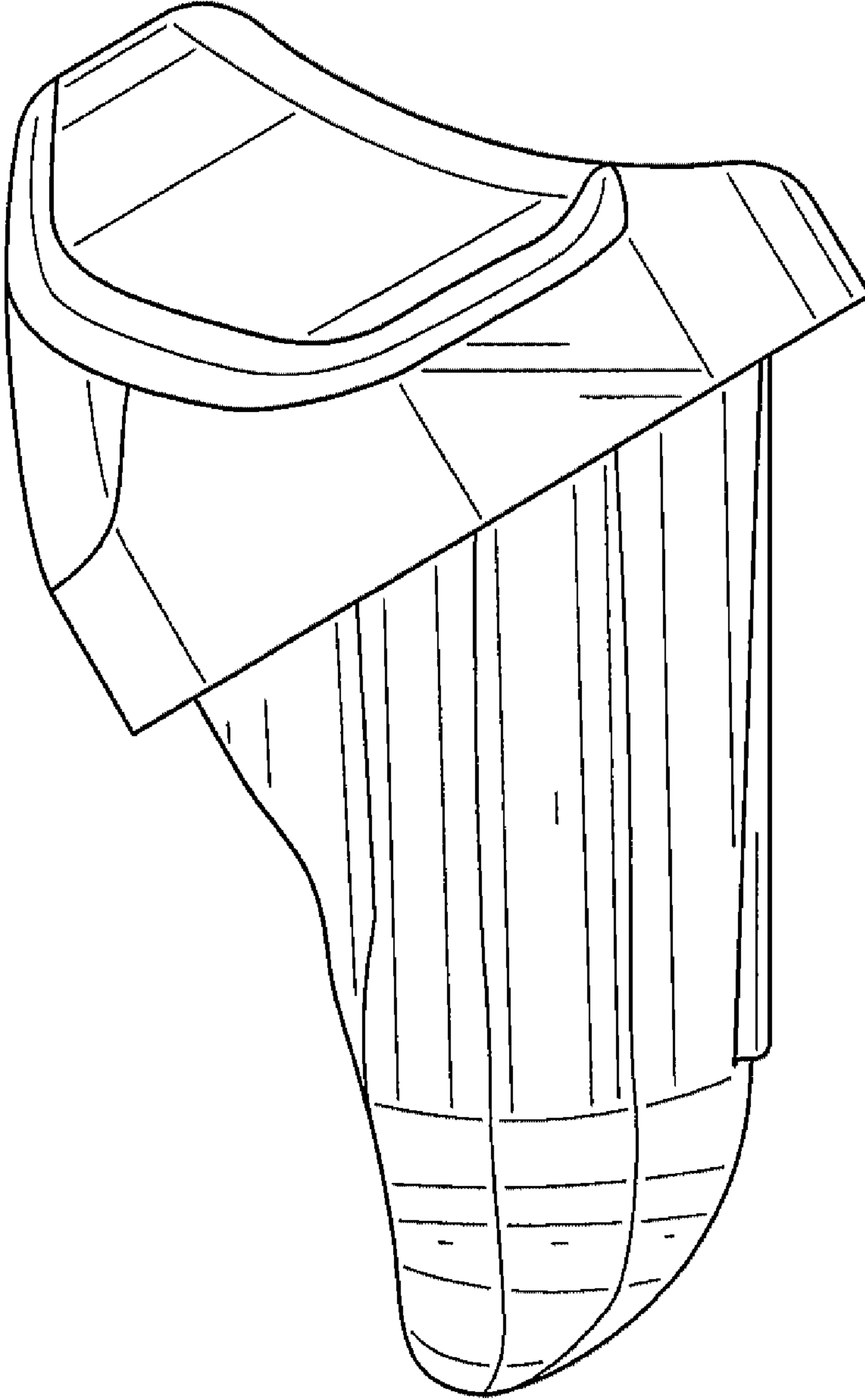


FIG. 5

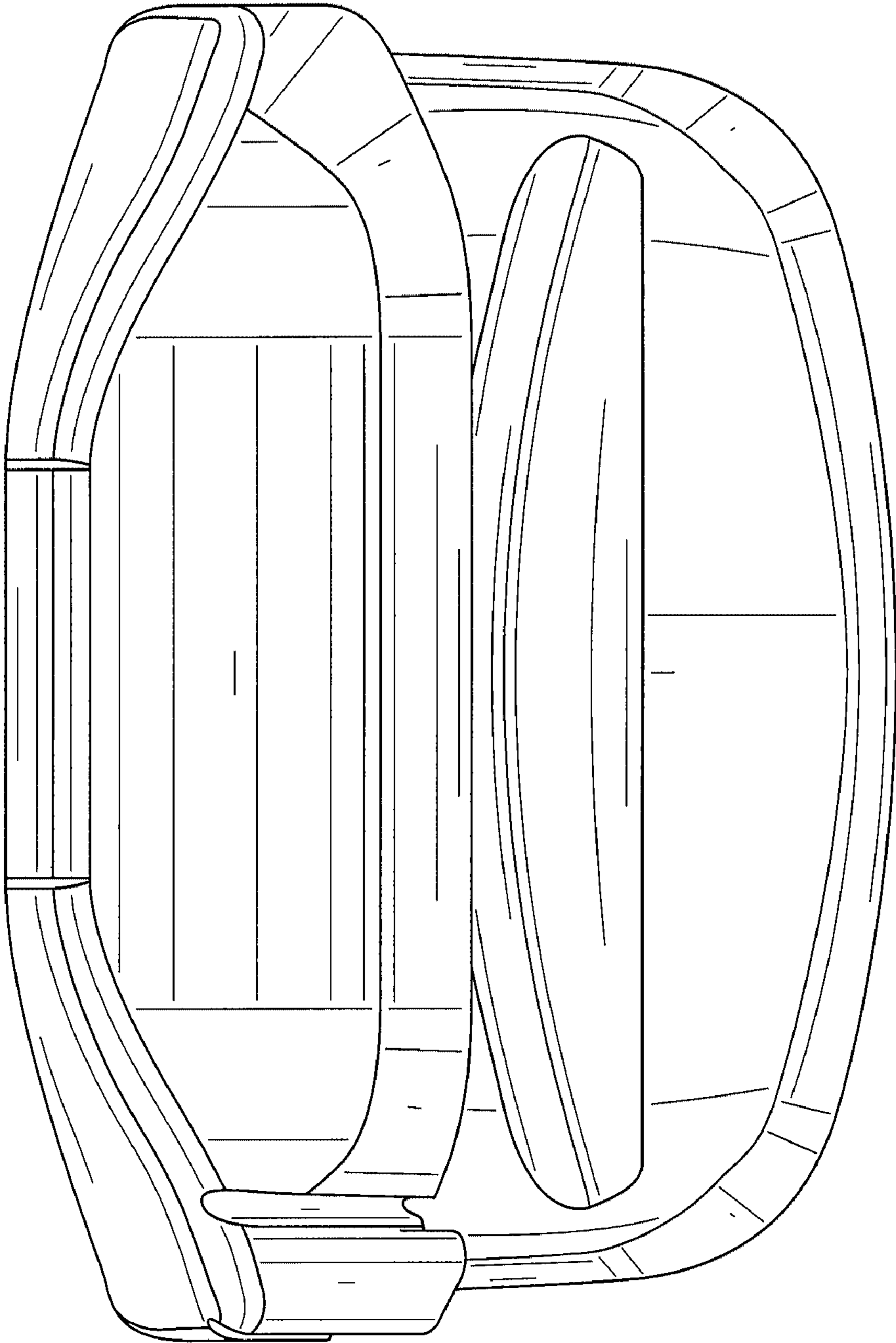


FIG. 6

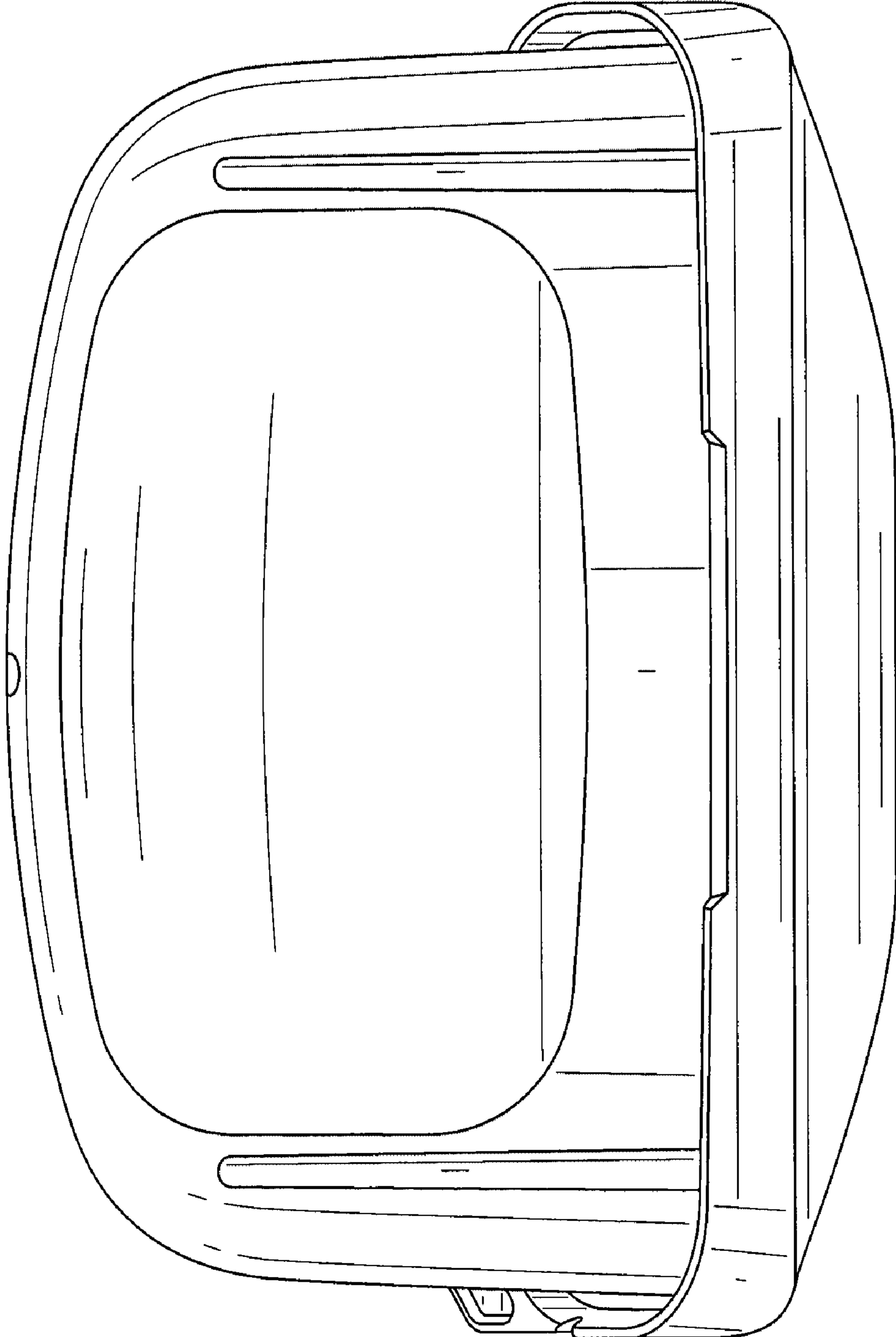


FIG. 7