



US00D630108S

(12) **United States Design Patent**
Wilson

(10) **Patent No.:** **US D630,108 S**

(45) **Date of Patent:** **** Jan. 4, 2011**

(54) **CONTAINER**

(76) **Inventor:** **David E. Wilson**, 1704 W. 17th St.,
Texarkana, TX (US) 75501

(**) **Term:** **14 Years**

(21) **Appl. No.:** **29/368,252**

(22) **Filed:** **Aug. 20, 2010**

(51) **LOC (9) Cl.** **09-03**

(52) **U.S. Cl.** **D9/734**

(58) **Field of Classification Search** D9/414,
D9/417, 730, 734; D6/512, 518, 522, 523;
221/63, 185; 204/205, 410; 222/498, 545,
222/562

See application file for complete search history.

(56) **References Cited**

U.S. PATENT DOCUMENTS

4,262,816	A	4/1981	Margulies	
4,328,907	A *	5/1982	Beard	221/63
4,337,876	A	7/1982	Thompson	
5,076,424	A	12/1991	Nakamura	
D322,931	S *	1/1992	Hunt	D9/733
D322,932	S *	1/1992	Hunt	D9/733
D372,615	S *	8/1996	Owens	D6/522
5,542,567	A	8/1996	Julius	
D467,106	S *	12/2002	Bohay	D6/523

D504,794	S	5/2005	Sellars	
D521,779	S	5/2006	Coonan	
D525,146	S *	7/2006	Young et al.	D9/734
D529,400	S *	10/2006	Sellars	D9/734
D530,223	S *	10/2006	Mau et al.	D9/734
D530,224	S *	10/2006	Mattesky	D9/734
D568,764	S *	5/2008	Rankin	D9/734
2006/0237475	A1	10/2006	Agarwal	

* cited by examiner

Primary Examiner—Shanda C Hill

(57) **CLAIM**

The ornamental design for a container, as shown and described.

DESCRIPTION

FIG. 1 is a perspective view of a container showing my new design;

FIG. 2 is a front view thereof;

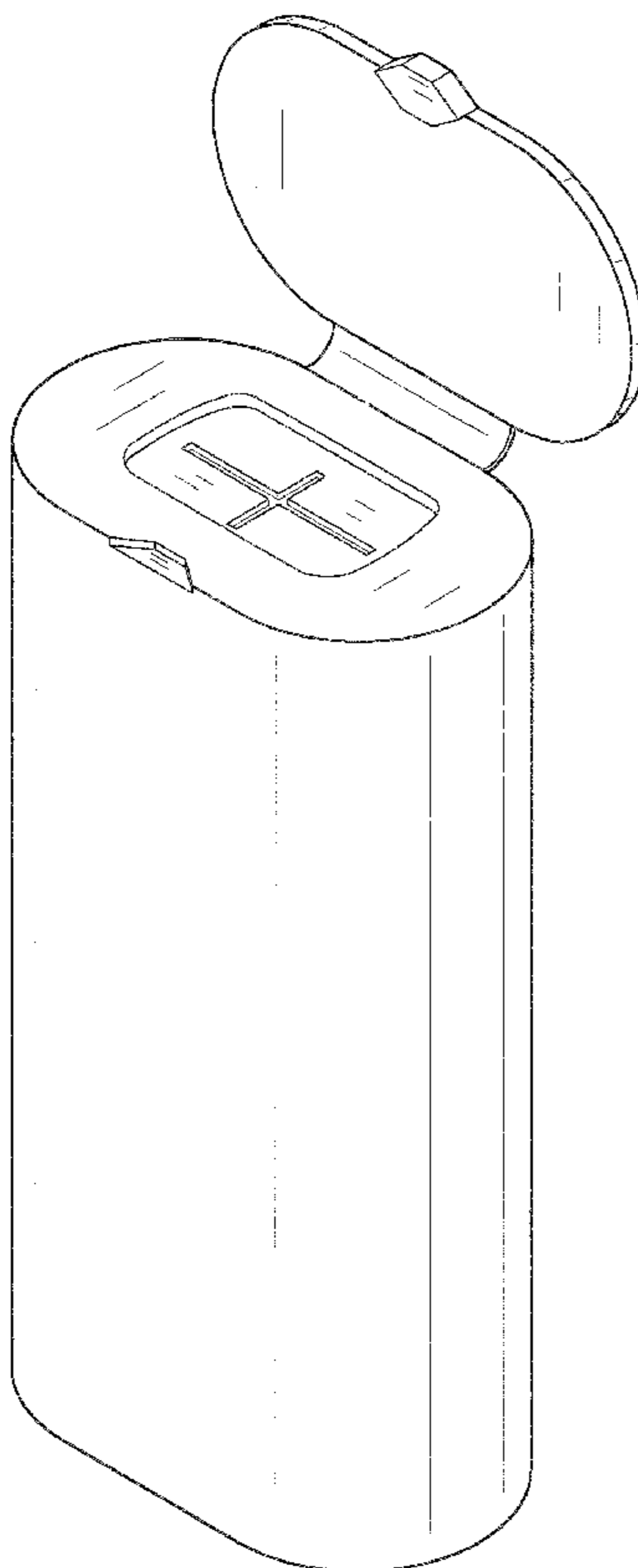
FIG. 3 is a back view thereof;

FIG. 4 is a side view thereof, the opposite side view being a mirror image;

FIG. 5 is a top view thereof; and,

FIG. 6 is a bottom view thereof.

1 Claim, 3 Drawing Sheets



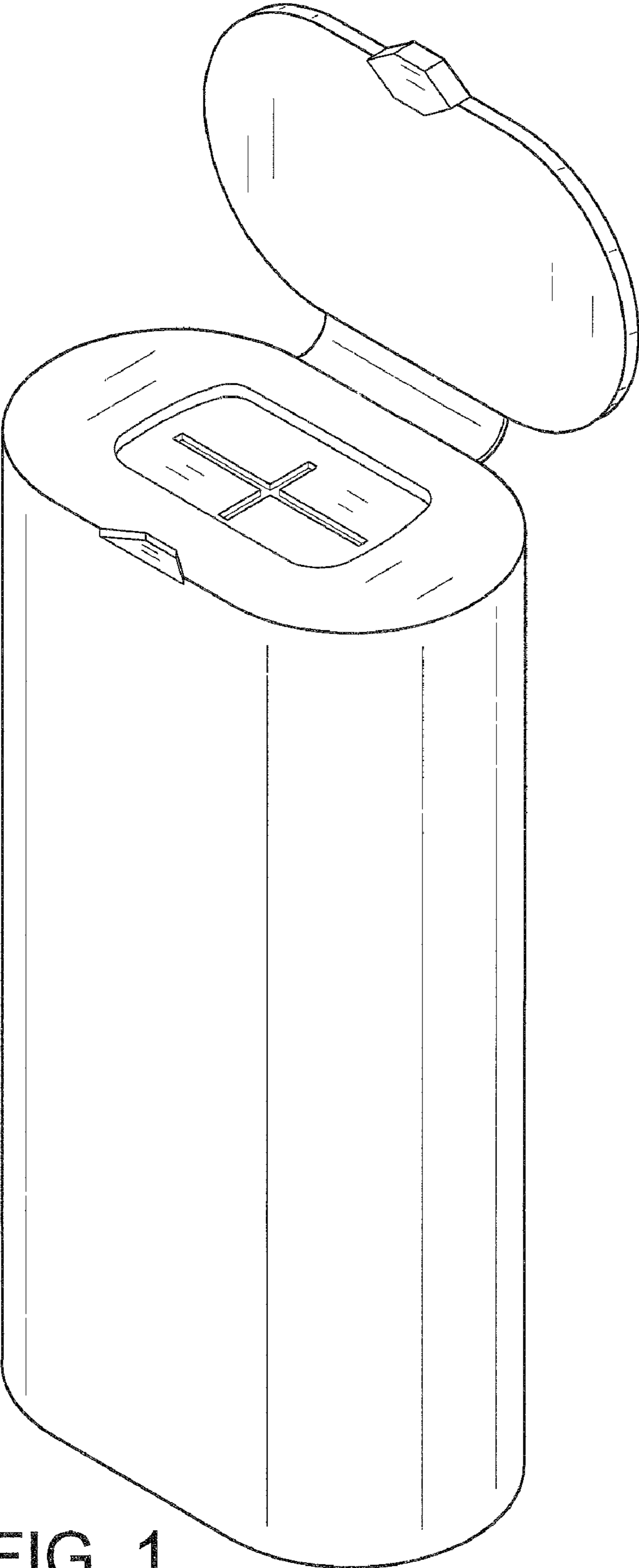


FIG. 1

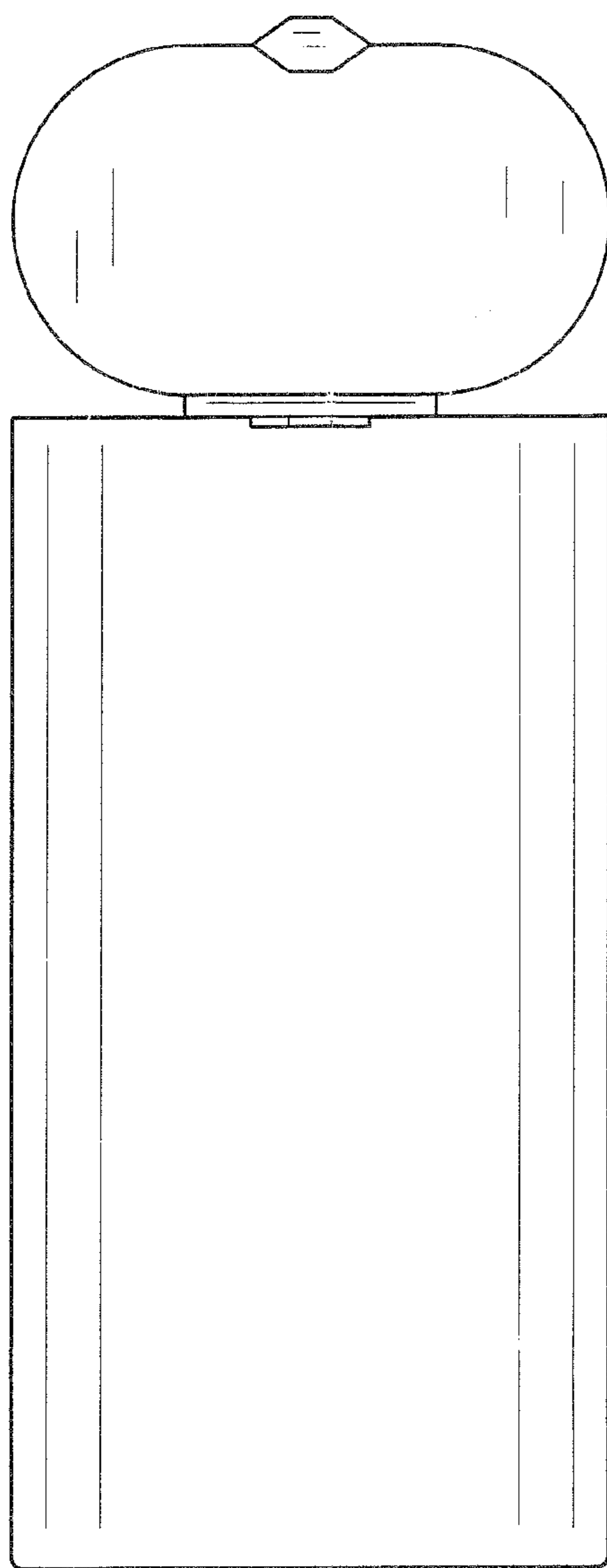


FIG. 2

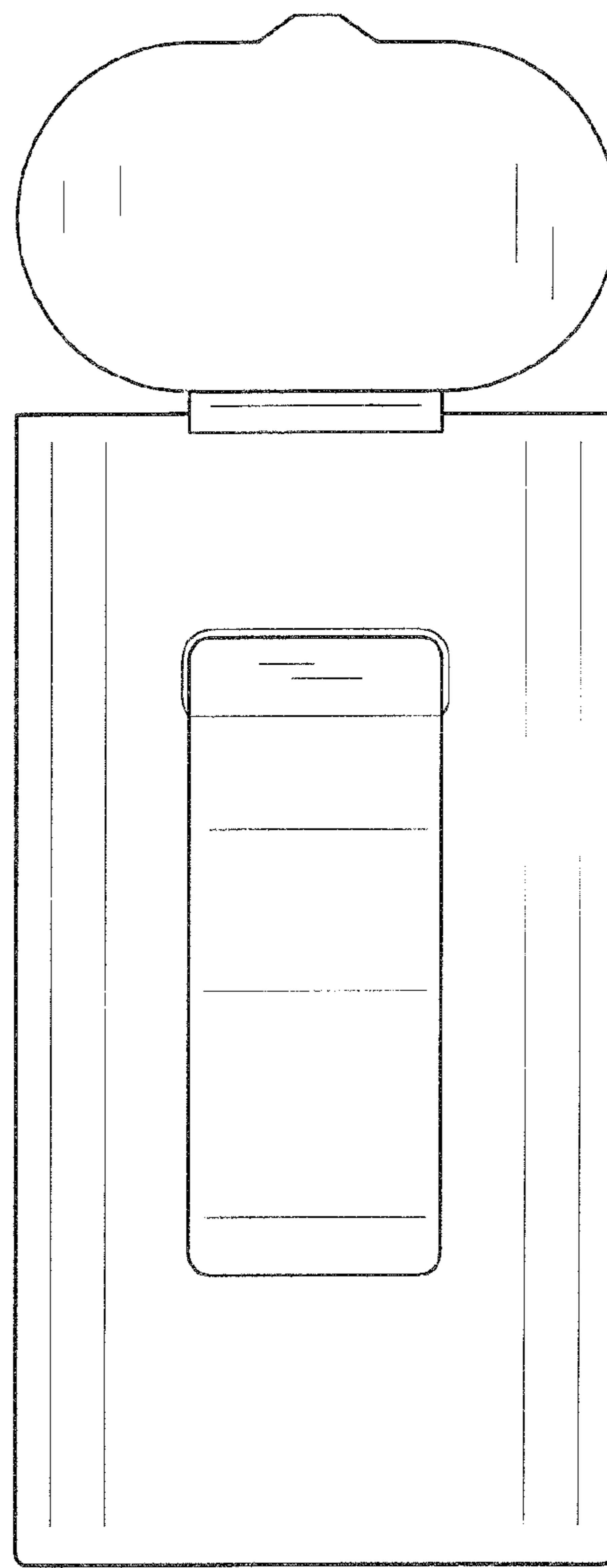


FIG. 3

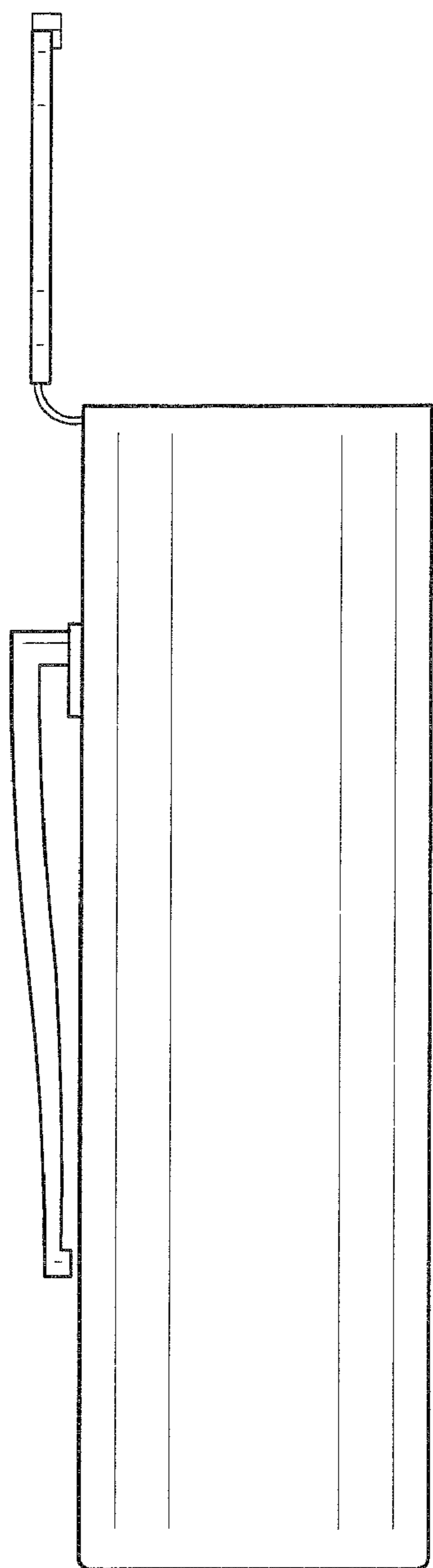


FIG. 4

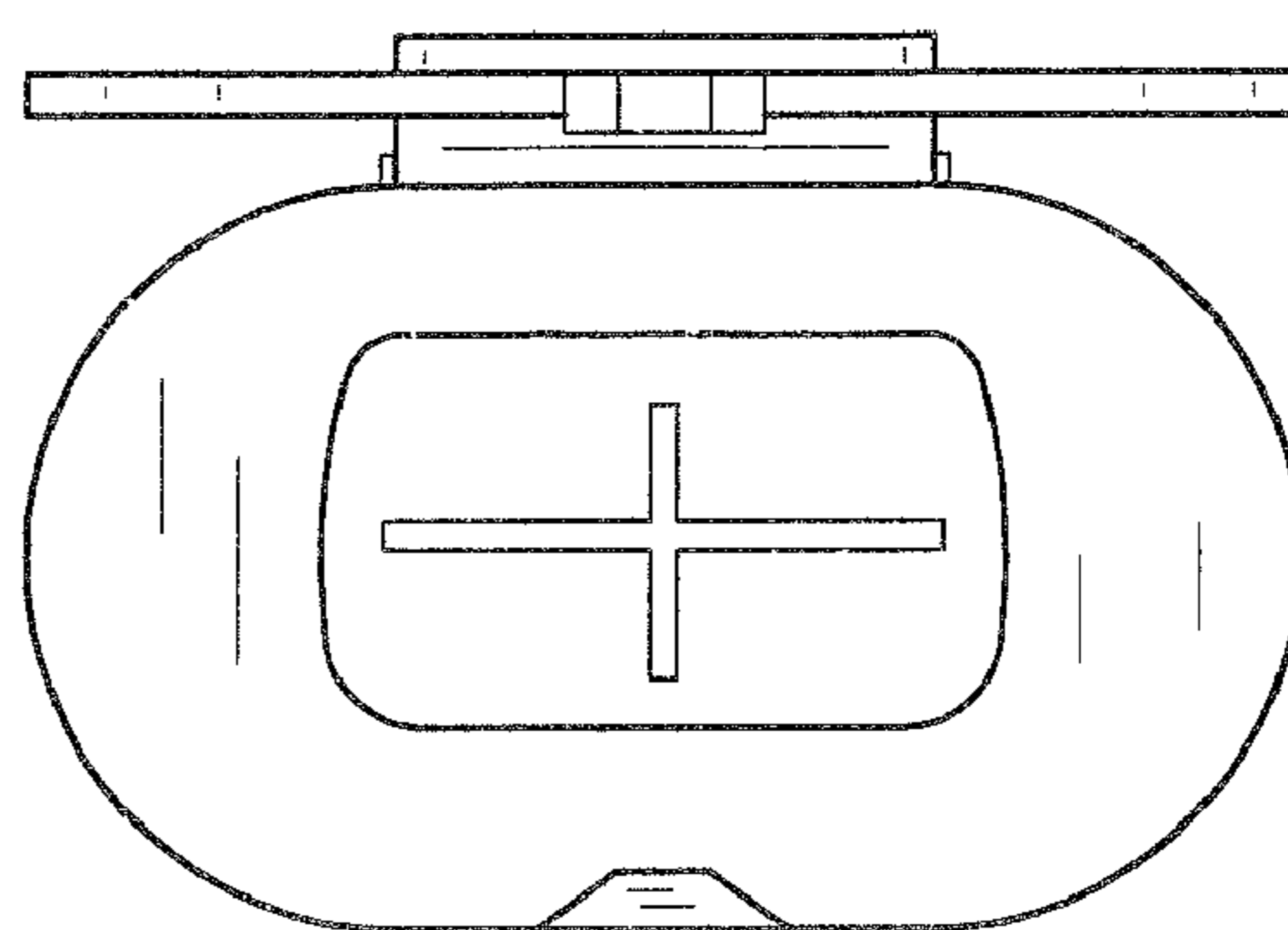


FIG. 5

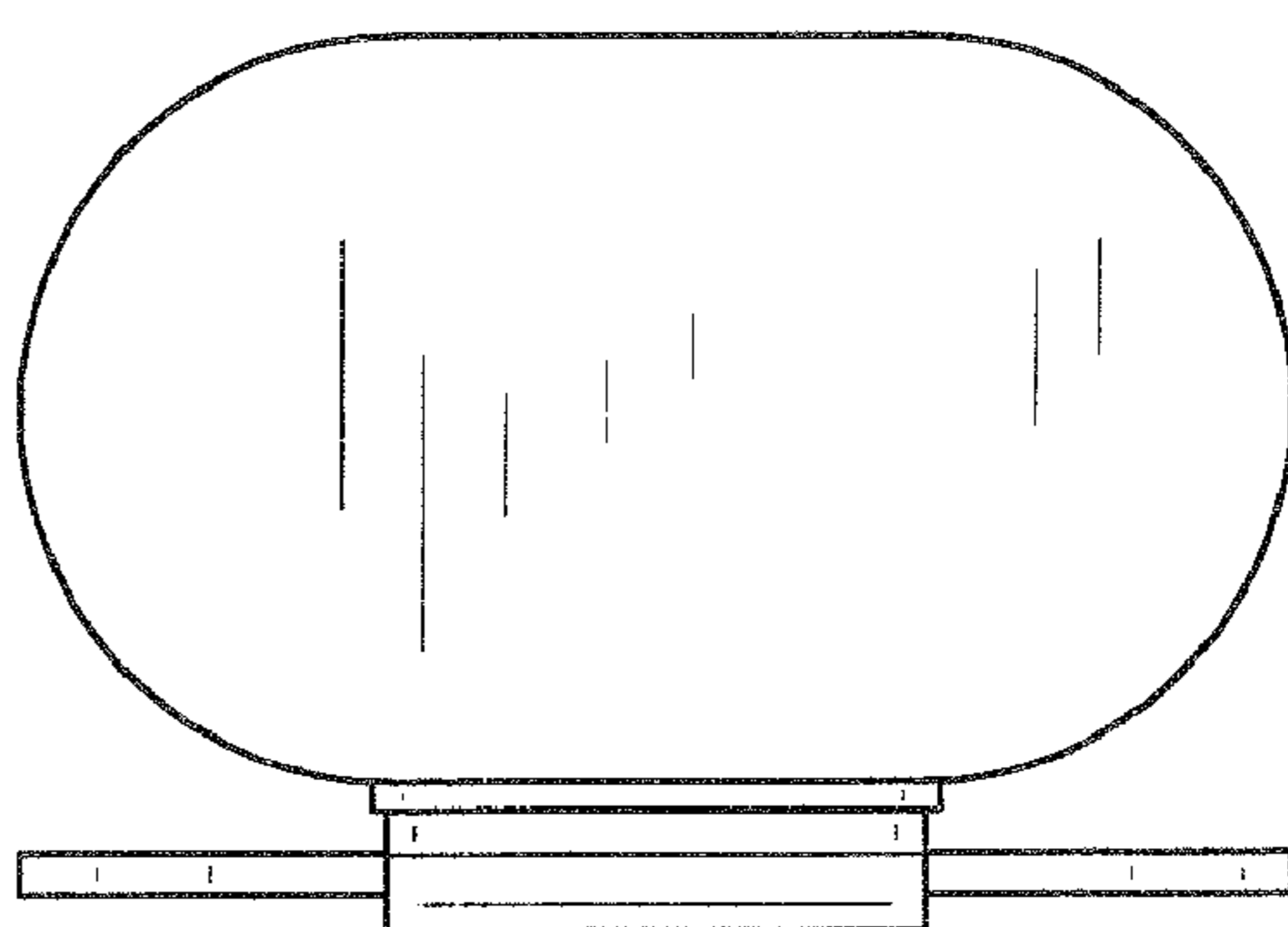


FIG. 6