



US00D630106S

(12) **United States Design Patent**
Kim

(10) **Patent No.:** **US D630,106 S**
(45) **Date of Patent:** **** Jan. 4, 2011**

(54) **TIE AND ACCESSORIES ARRANGED IN A BOX**

(75) Inventor: **Cin Kim**, Alpine, NJ (US)

(73) Assignee: **Peacock Apparel Group, Inc.**, New York, NY (US)

(**) Term: **14 Years**

(21) Appl. No.: **29/337,617**

(22) Filed: **May 27, 2009**

(51) **LOC (9) Cl.** **09-01**

(52) **U.S. Cl.** **D9/721**

(58) **Field of Classification Search** D9/414,
D9/415, 418, 423, 430, 715, 721; D2/600,
D2/602, 605-607; D6/300; 2/137-139,
2/144-157; 229/87.15, 125.08, 136, 160,
229/161, 240, 275, 863, 864

See application file for complete search history.

(56) **References Cited**

U.S. PATENT DOCUMENTS

1,324,740	A *	12/1919	Hendrix	2/148
1,949,851	A *	3/1934	Alper	2/150
2,943,331	A *	7/1960	Toplansky	2/150
3,043,494	A	7/1962	Moore	
4,173,792	A *	11/1979	Intengan	2/144
D261,479	S	10/1981	Marks	
4,762,272	A	8/1988	Herrin	
D343,356	S	1/1994	Wittman	
D368,588	S	4/1996	Goraleski et al.	
5,673,434	A *	10/1997	Risk	2/144
7,096,509	B2	8/2006	Kim	
D546,674	S	7/2007	Limber	
D553,495	S	10/2007	Vandecasteele et al.	

D574,722	S	8/2008	Kim	
D589,364	S	3/2009	Kim	
D589,365	S	3/2009	Kim	
D589,366	S	3/2009	Kim	
D589,367	S	3/2009	Kim	
D590,724	S	4/2009	Kim	
D596,498	S *	7/2009	Kim	D9/721
D611,837	S *	3/2010	Kim	D9/721

* cited by examiner

Primary Examiner—Shanda C Hill

(74) *Attorney, Agent, or Firm*—Leason Ellis LLP

(57) **CLAIM**

The ornamental design for a tie and accessories arranged in a box, as shown and described.

DESCRIPTION

FIG. 1 is a top, front and side perspective view of a first embodiment of a tie and accessories arranged in a box, showing my new design;

FIG. 2 is a top plan view thereof;

FIG. 3 is a front elevation view thereof;

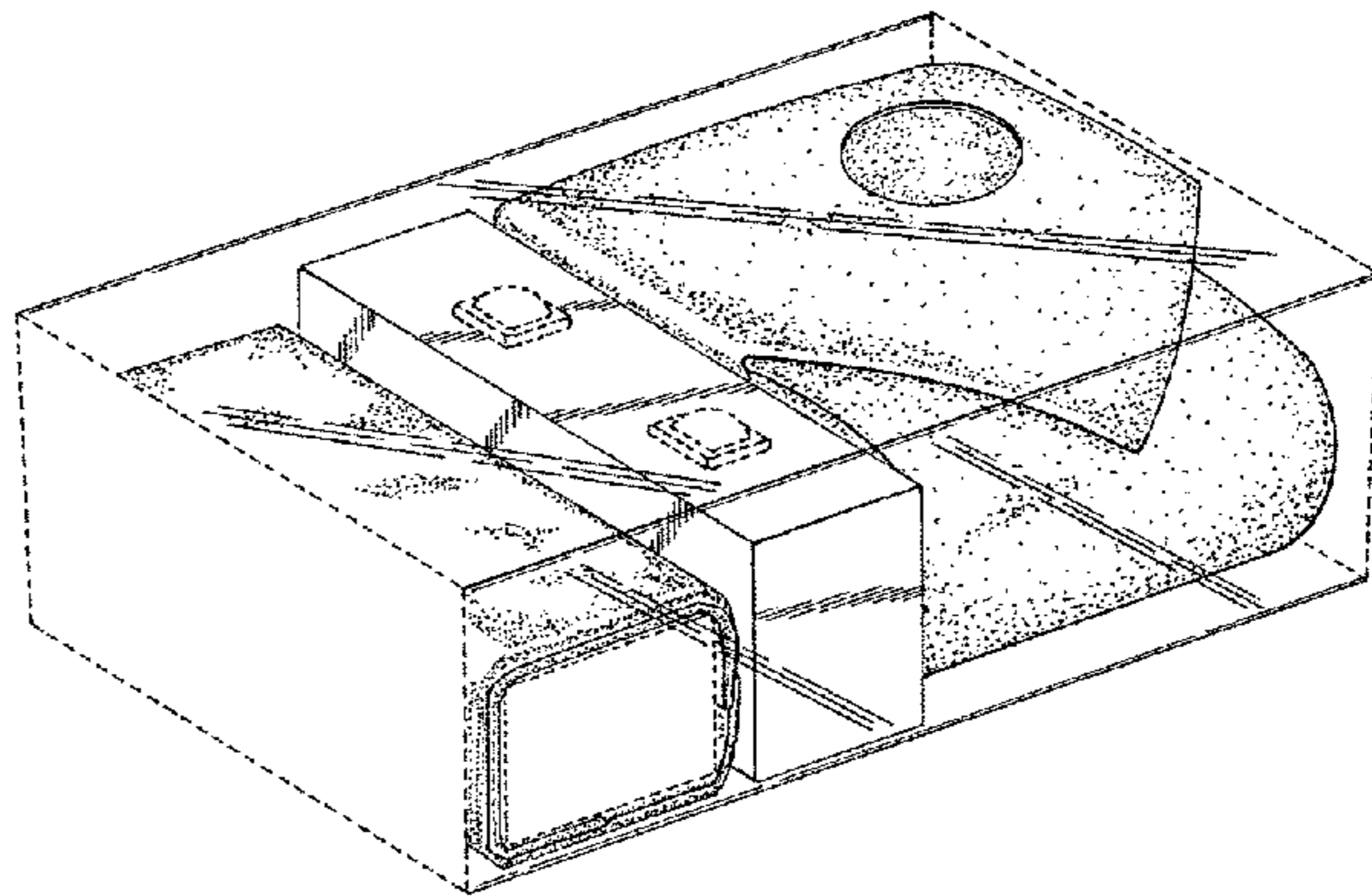
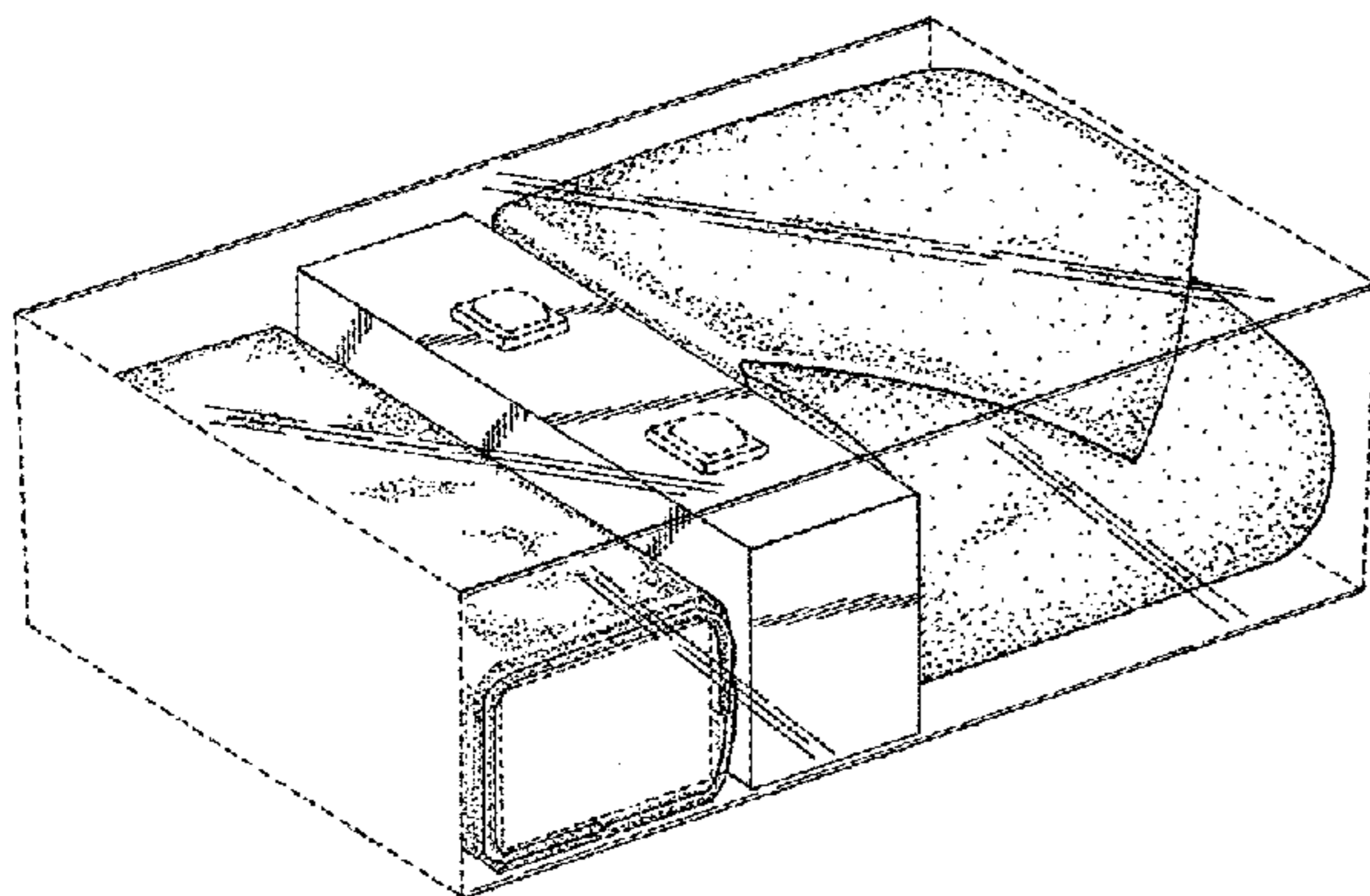
FIG. 4 is a bottom plan thereof;

FIG. 5 is a rear elevation view; and,

FIG. 6 is a top, front and side perspective view of a second embodiment of the tie and accessories arranged in a box, the front rear, bottom and side views being the same as FIGS. 3, 4 and 5.

The broken lines shown in the drawing disclosure are for illustrative purposes only and form no part of the claimed design. All sides not shown form no part of the claimed design.

1 Claim, 4 Drawing Sheets



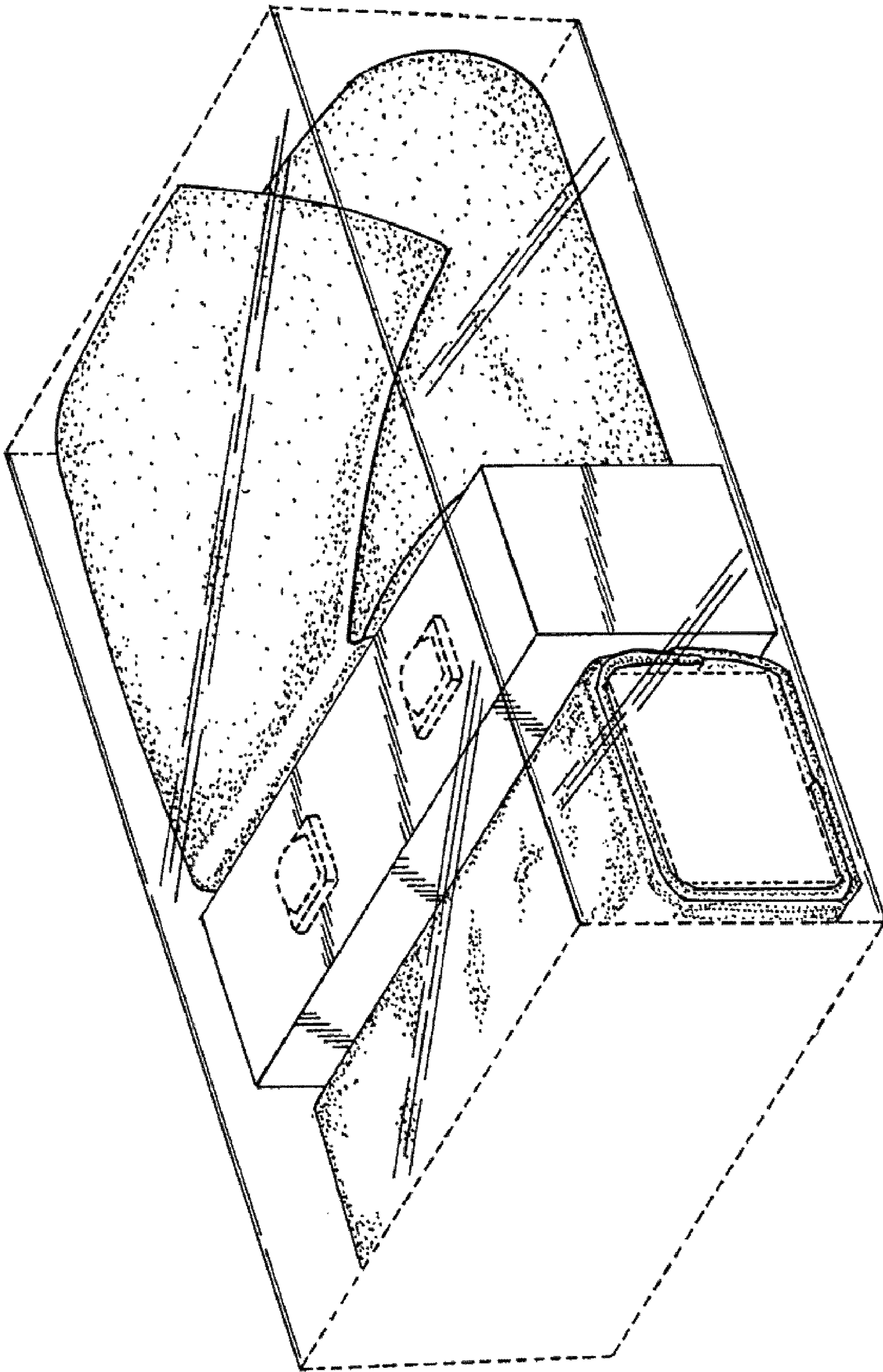


Fig. 1

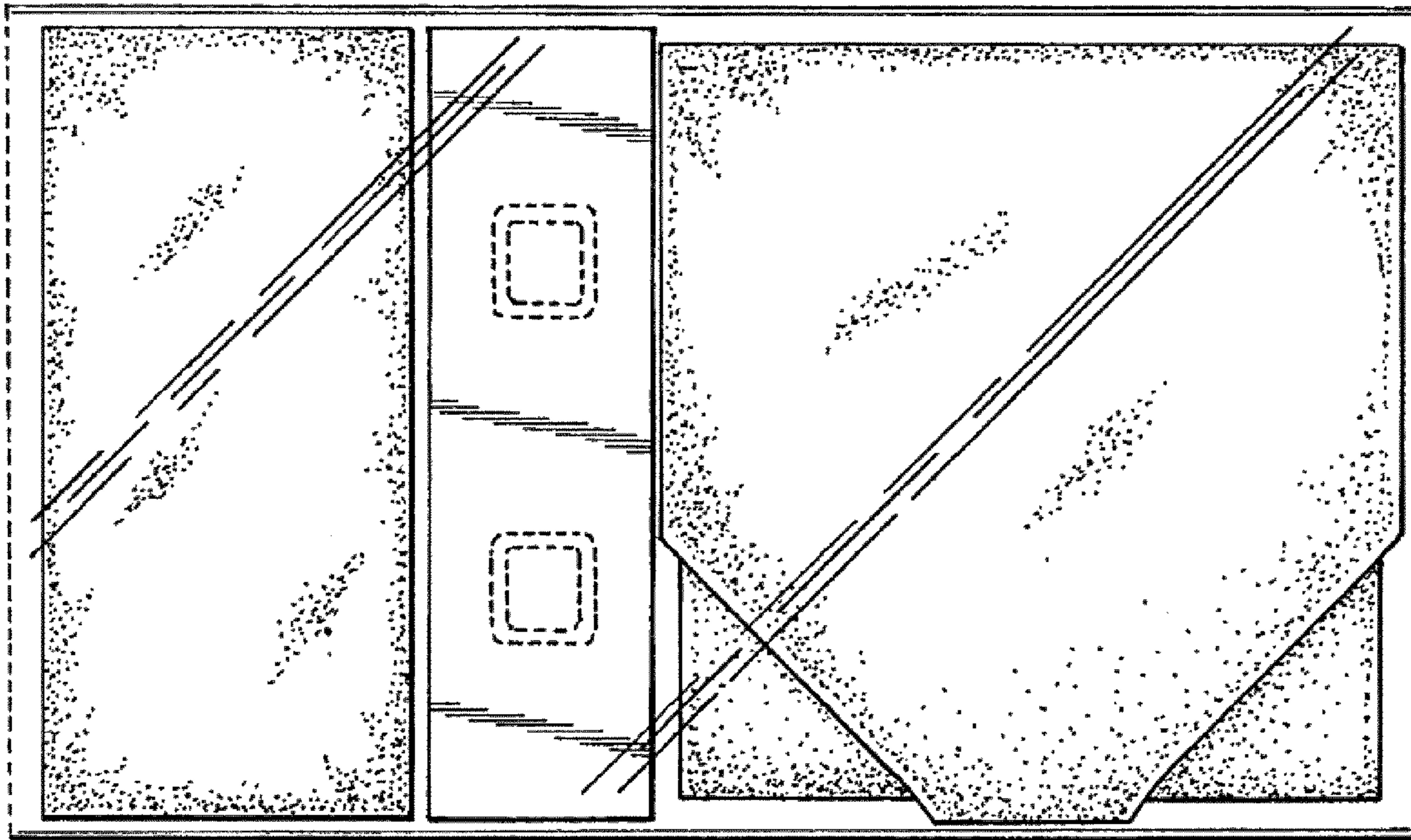


Fig. 2

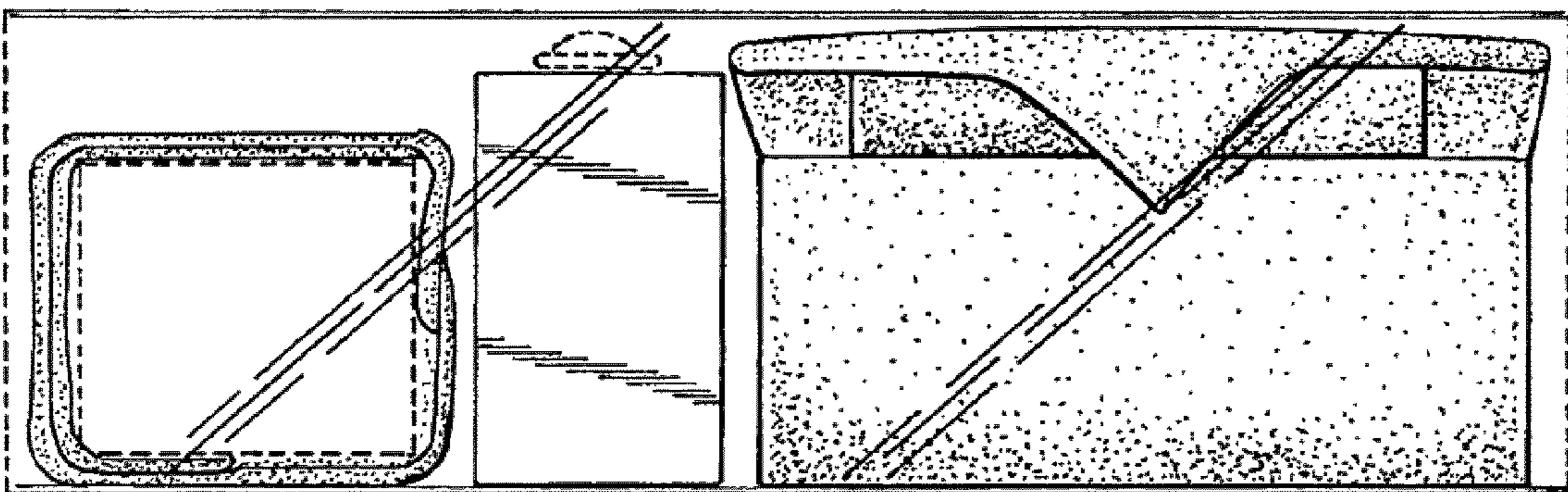


Fig. 3

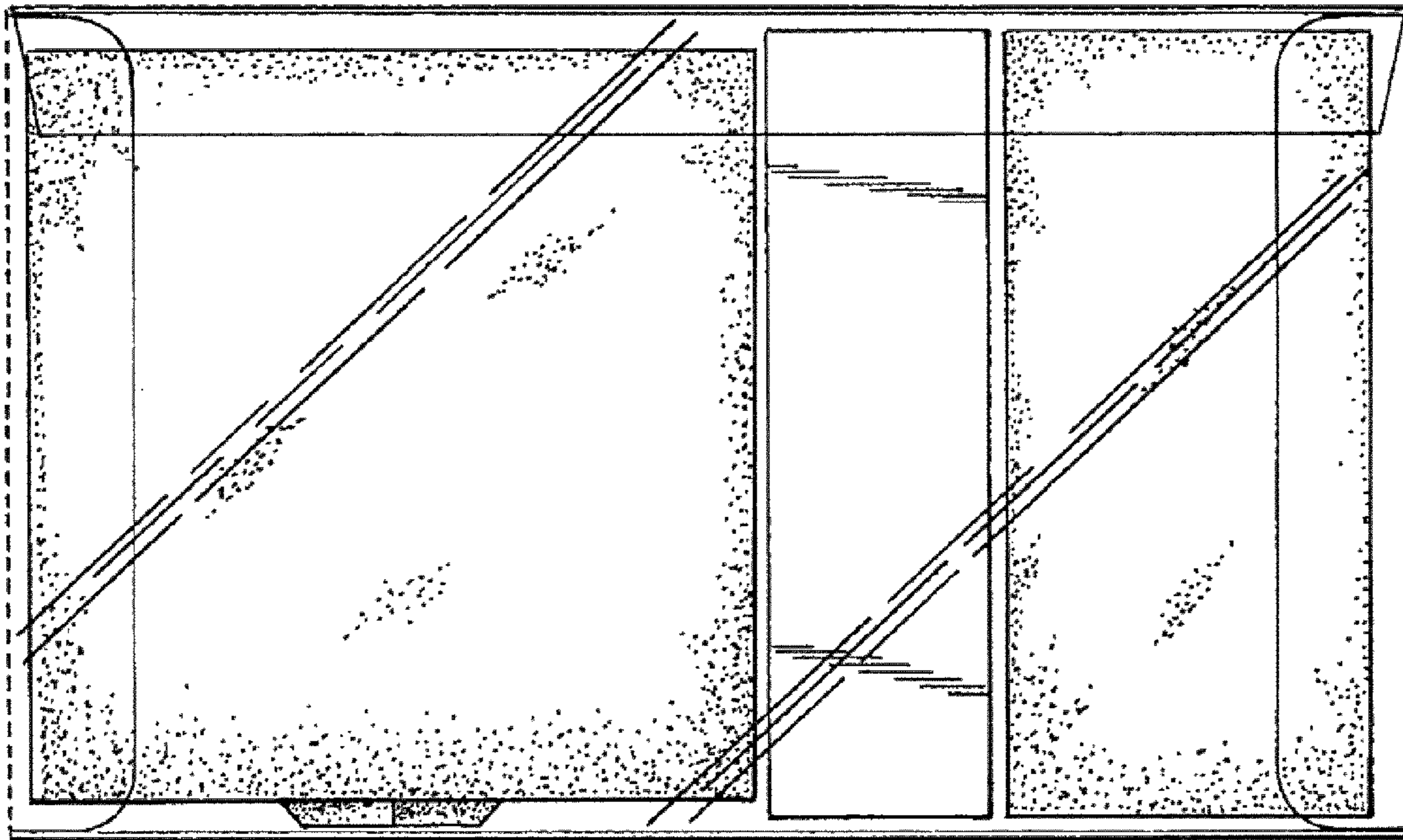


Fig. 4

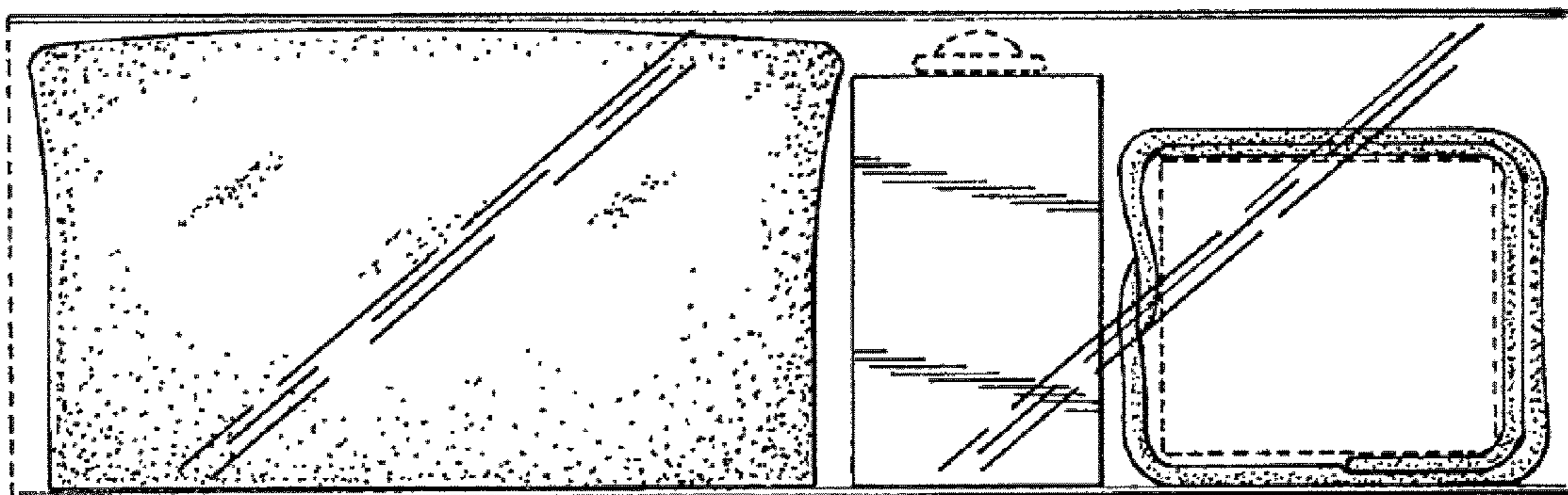


Fig. 5

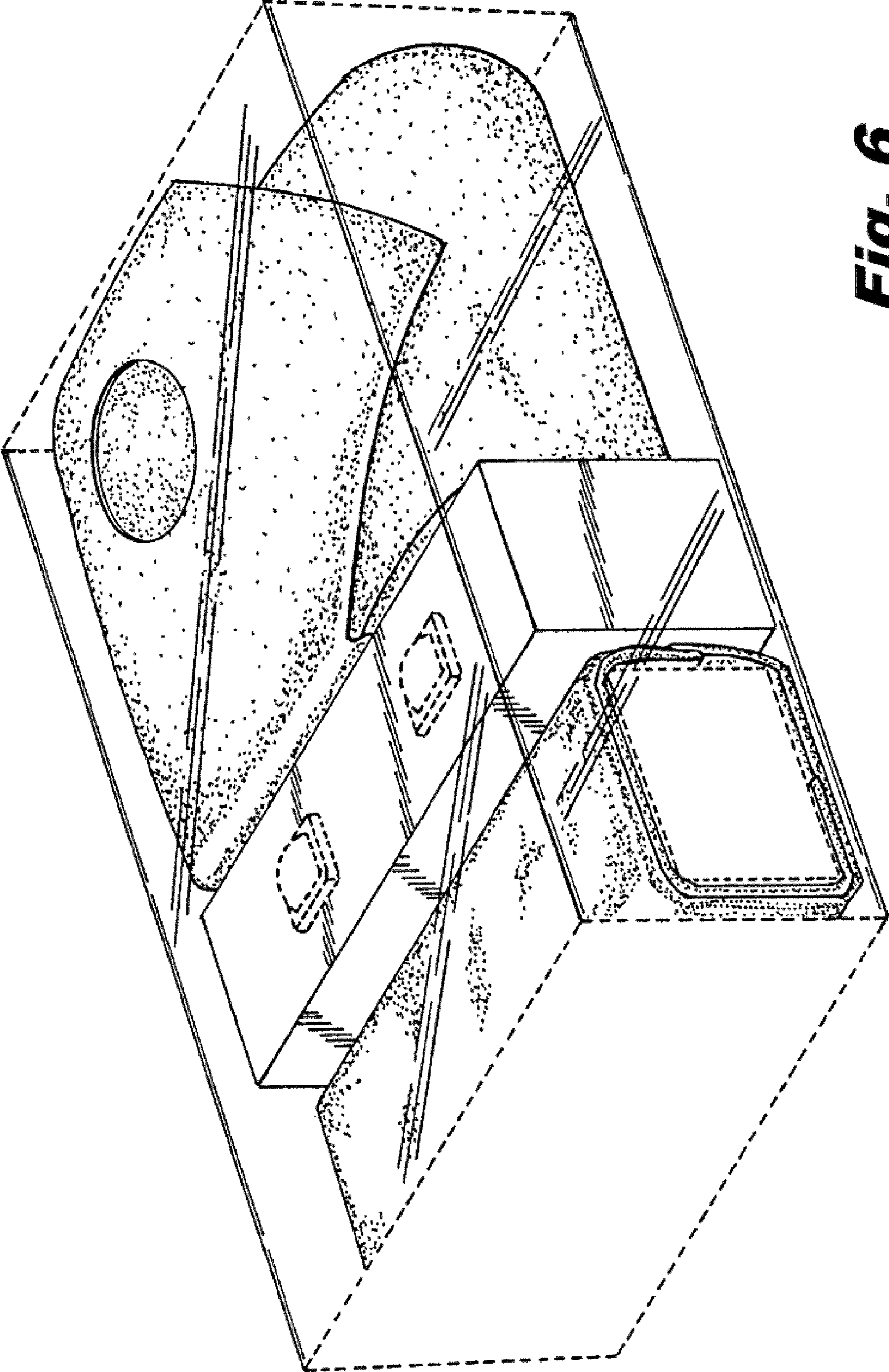


Fig. 6