



US00D630105S

(12) **United States Design Patent**  
**Bourne**

(10) **Patent No.:** **US D630,105 S**

(45) **Date of Patent:** **\*\* Jan. 4, 2011**

(54) **BOTTLE**

(75) Inventor: **Damien Bourne**, Le Havre Cedex (FR)

(73) Assignee: **Sidel Participations**, Octeville sur Mer (FR)

(\*\*) Term: **14 Years**

(21) Appl. No.: **29/350,463**

(22) Filed: **Nov. 17, 2009**

(30) **Foreign Application Priority Data**

May 18, 2009 (EM) ..... 1 137 962-0001

(51) **LOC (9) Cl.** ..... **09-01**

(52) **U.S. Cl.** ..... **D9/667; D9/557; D9/551; D9/538**

(58) **Field of Classification Search** ..... D9/600, D9/652, 667, 500-504, 516, 520, 537-543, D9/549-554, 556-558; 206/457, 527; 215/379-383, 215/400; 220/890

See application file for complete search history.

(56) **References Cited**

**U.S. PATENT DOCUMENTS**

D446,112 S \* 8/2001 Bretz et al. .... D9/667  
D492,902 S \* 7/2004 Lane ..... D9/539  
D497,545 S \* 10/2004 Knight et al. .... D9/667  
D506,394 S \* 6/2005 Knight et al. .... D9/667  
D547,199 S \* 7/2007 Dill et al. .... D9/667

D547,664 S \* 7/2007 Davis et al. .... D9/538  
D567,663 S \* 4/2008 Kinmont et al. .... D9/551  
D568,749 S \* 5/2008 Boon ..... D9/516  
D572,599 S \* 7/2008 Melrose ..... D9/652  
D572,600 S \* 7/2008 Zboch et al. .... D9/667  
D577,291 S \* 9/2008 Kinmont et al. .... D9/516

\* cited by examiner

*Primary Examiner*—Sandra Morris

(74) *Attorney, Agent, or Firm*—Marshall, Gerstein & Borun LLP; Richard M. LaBarge

(57) **CLAIM**

The ornamental design for a bottle, as shown.

**DESCRIPTION**

FIG. 1 is a right-side and top isometric view of a bottle that has the design.

FIG. 2 is a left-side and rear isometric view of the bottle.

FIG. 3 is a rear elevation of the bottle.

FIG. 4 is a left-side elevation of the bottle.

FIG. 5 is a front elevation of the bottle.

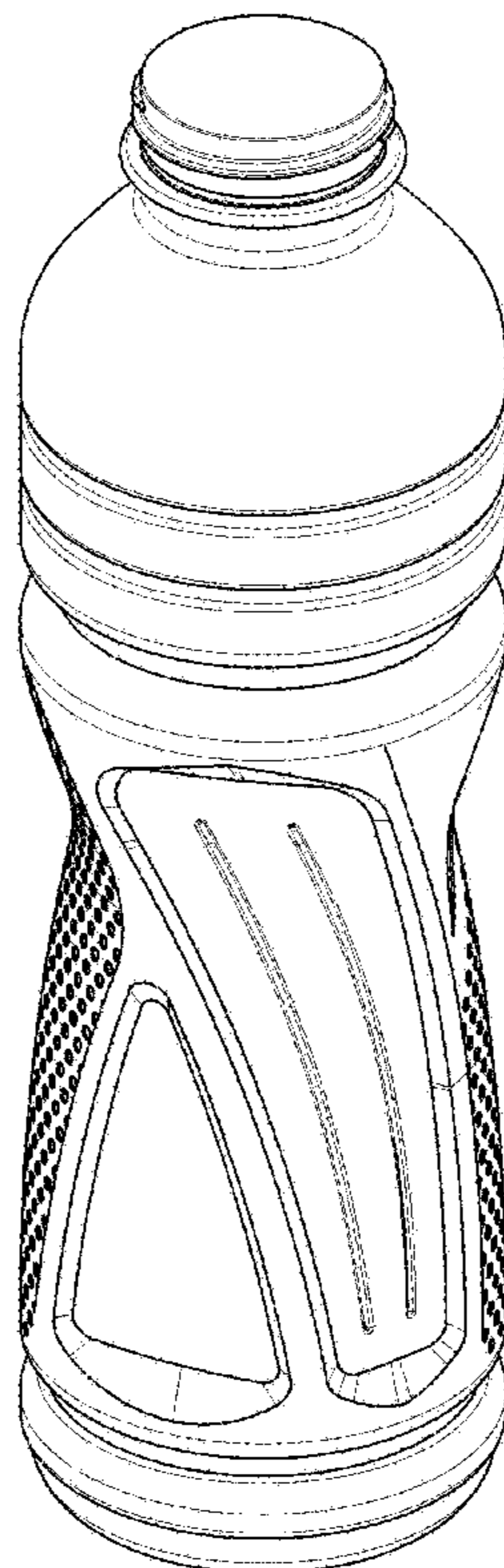
FIG. 6 is a right-side elevation of the bottle; and,

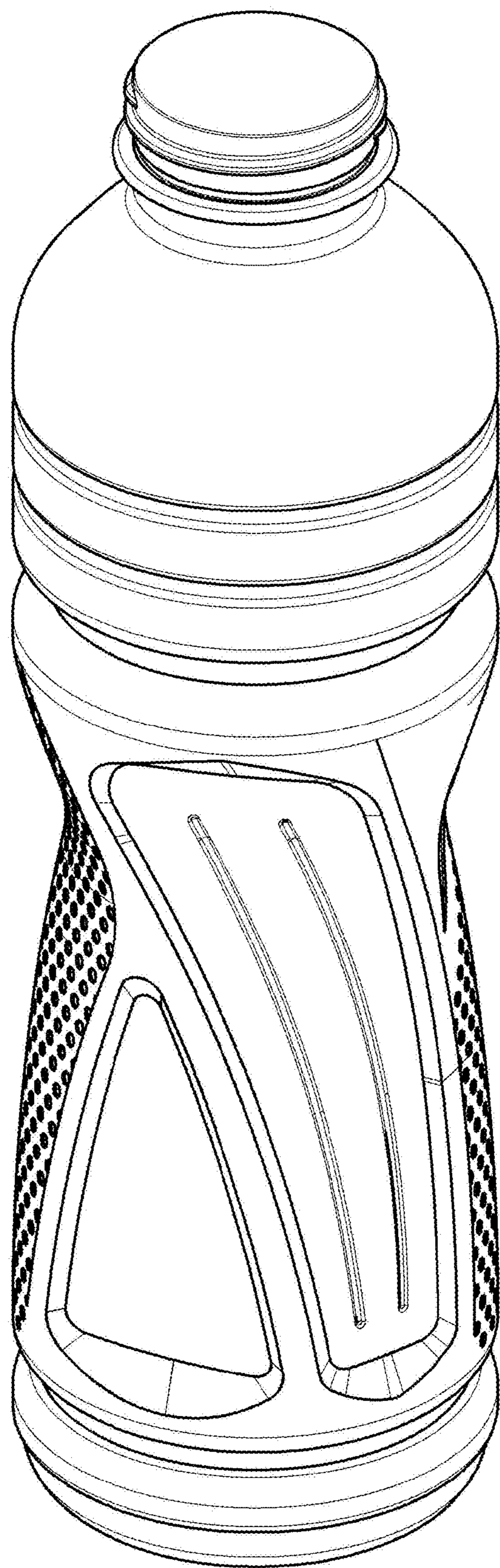
FIG. 7 is a top plan view of the bottle.

The broken lines in FIG. 2 are included for the purpose of illustrating a portion of the bottom that forms no part of the claimed design.

The bottom of the bottle forms no part of the claimed design.

**1 Claim, 7 Drawing Sheets**





**FIG. 1**

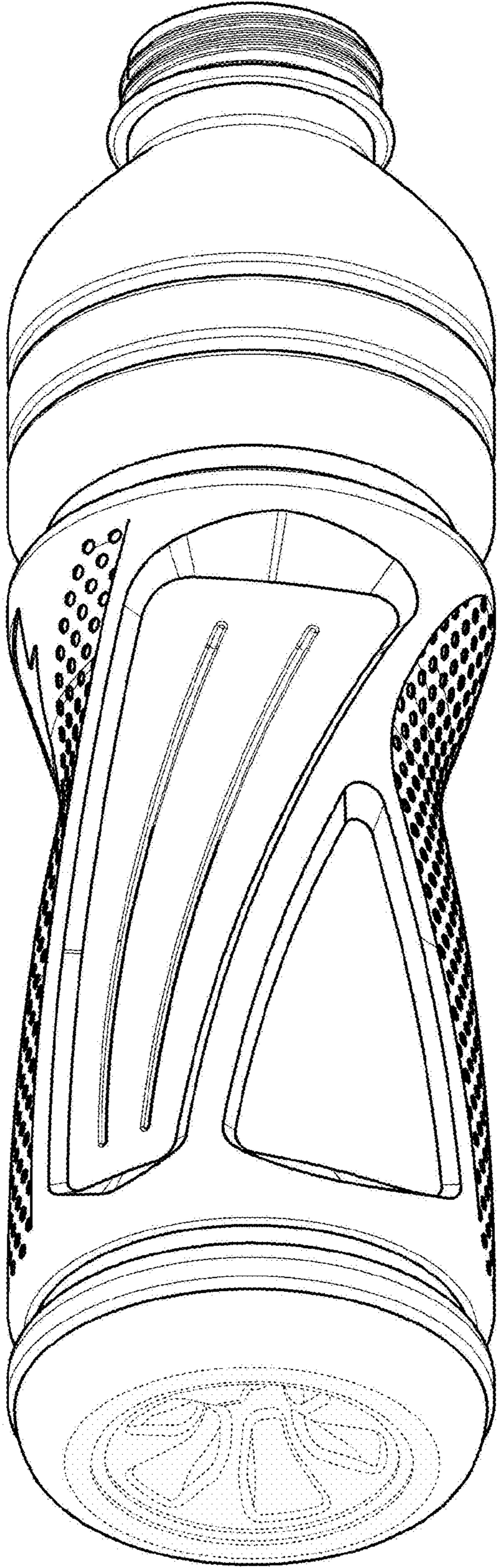


FIG. 2

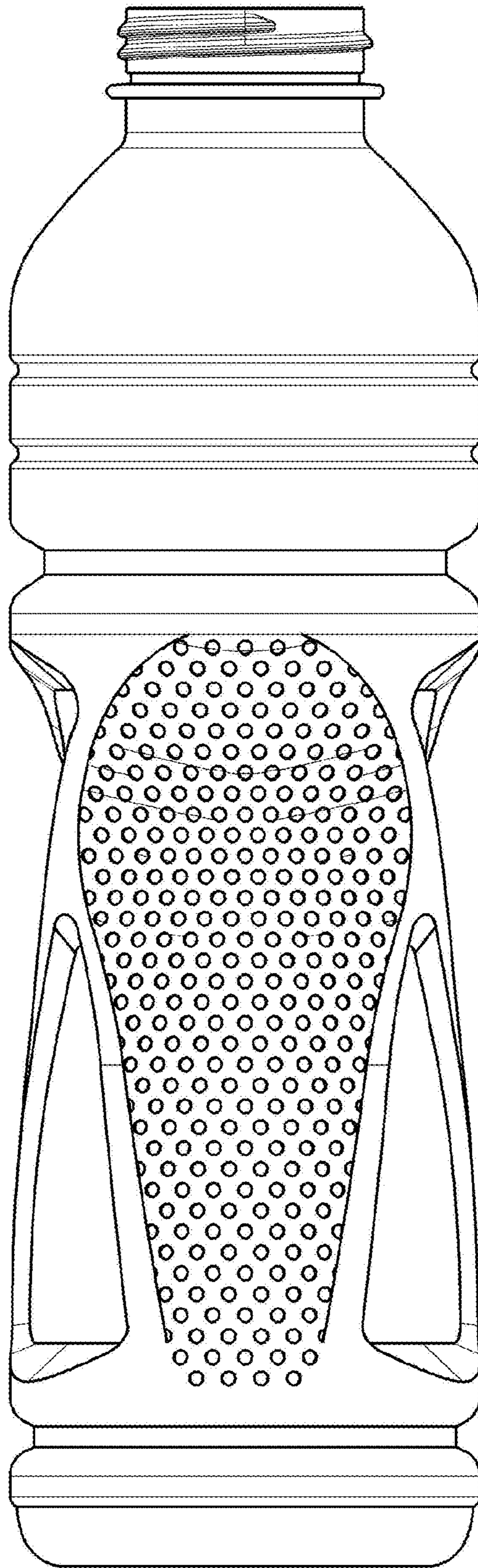


FIG. 3

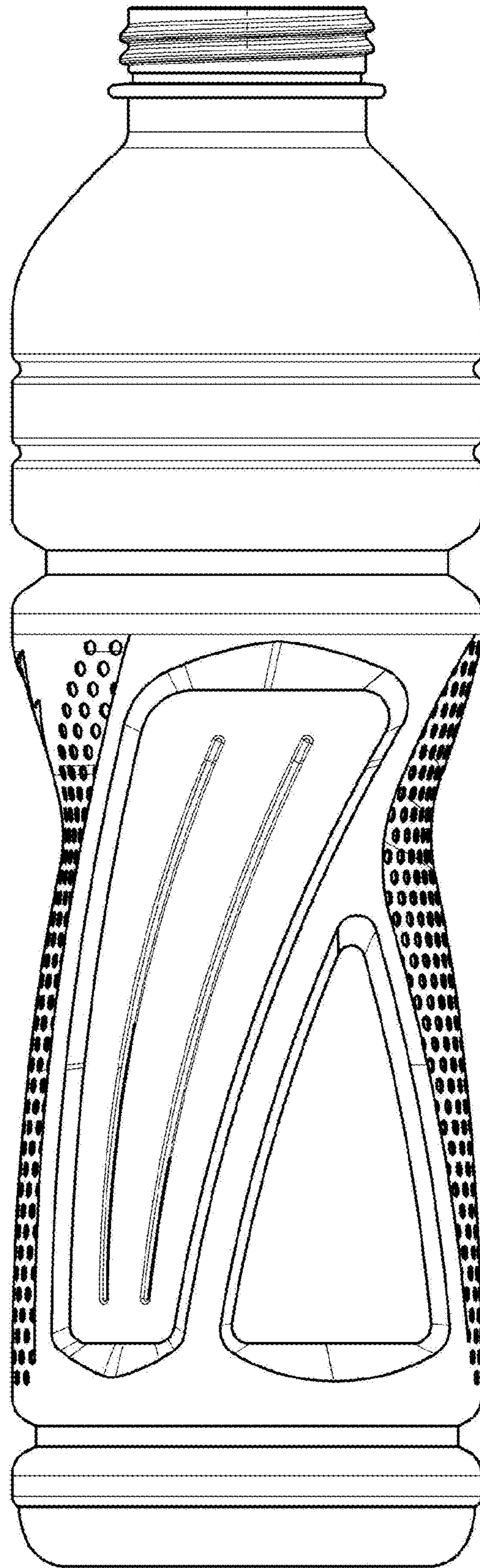


FIG. 4

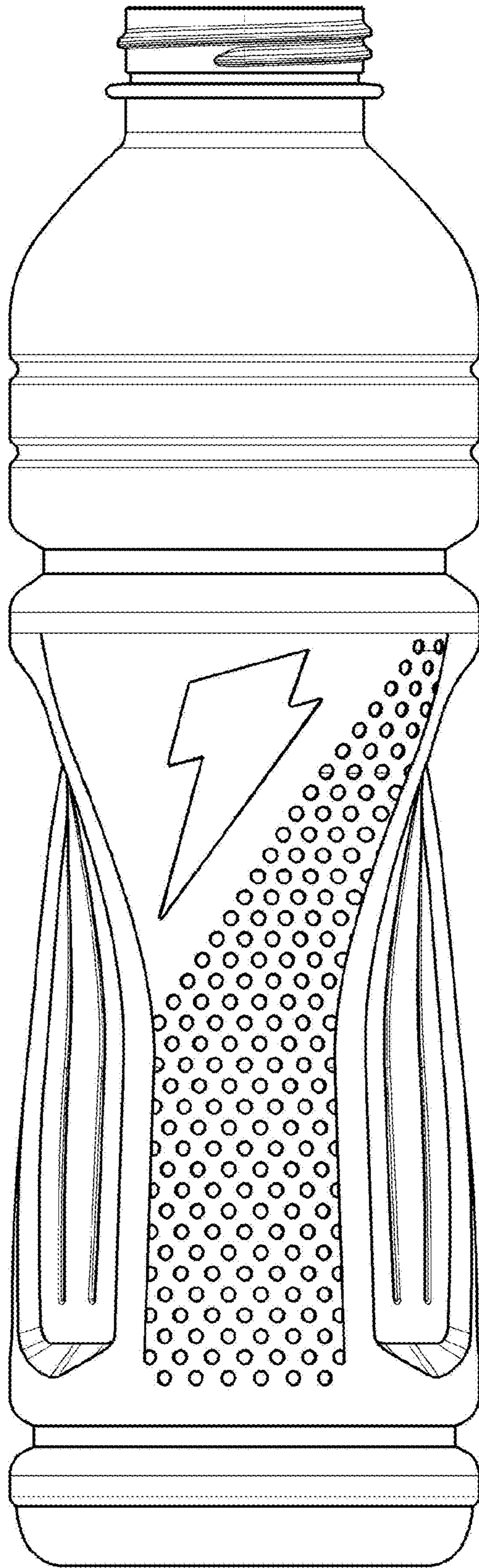
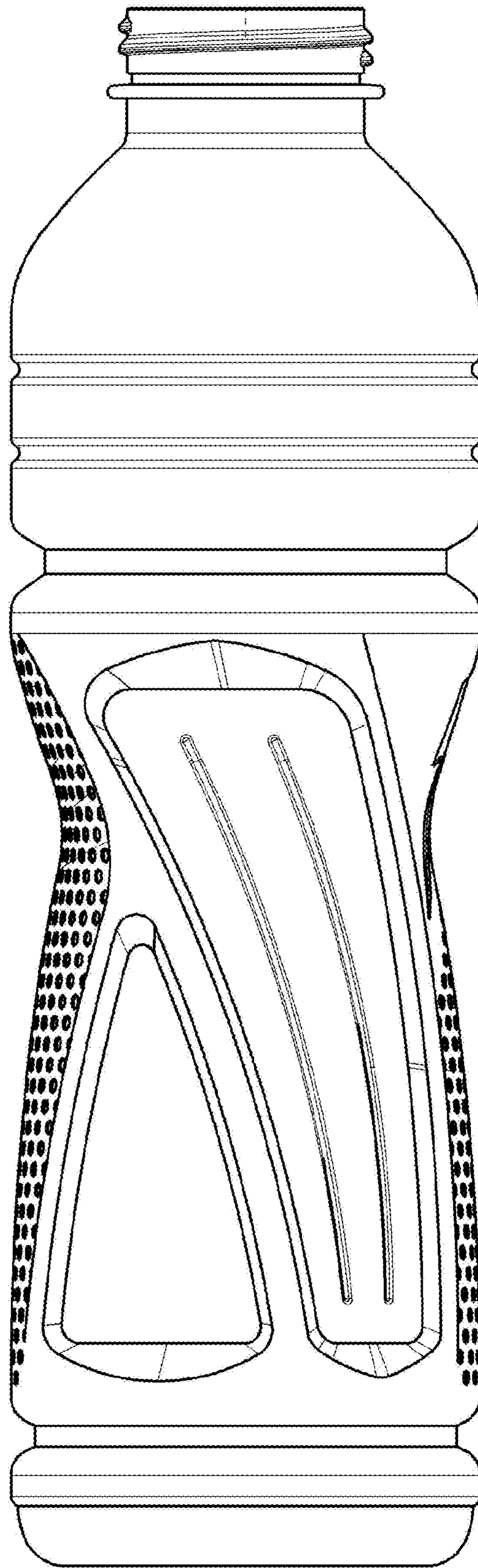
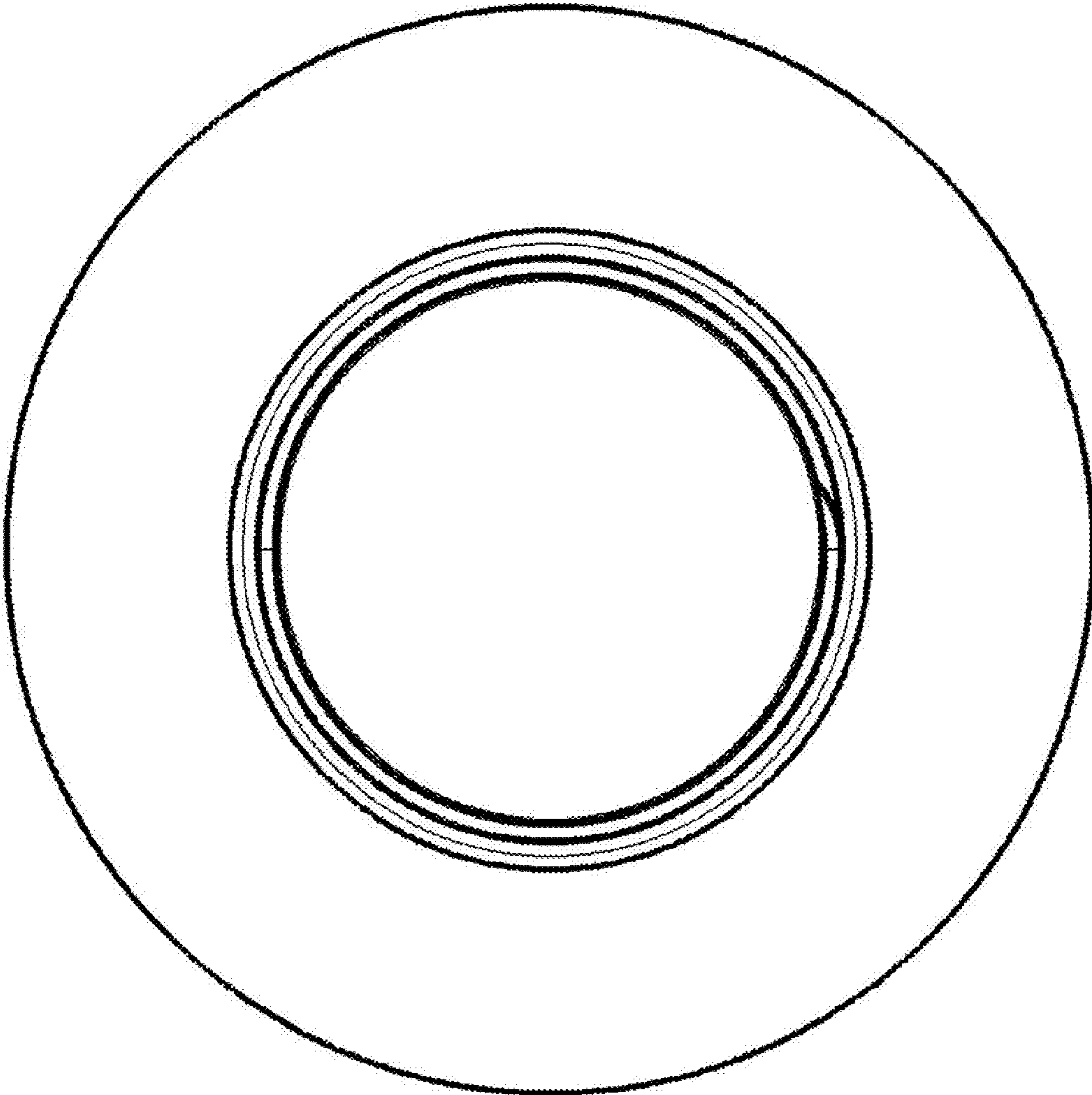


FIG. 5



**FIG. 6**



**FIG. 7**