



US00D630099S

(12) **United States Design Patent**  
**McMillan et al.**

(10) **Patent No.:** **US D630,099 S**

(45) **Date of Patent:** **\*\* Jan. 4, 2011**

(54) **CONTAINER**

(75) Inventors: **Donald W. McMillan**, Wilmington, DE (US); **Allison Chidsey**, Philadelphia, PA (US)

(73) Assignee: **Campbell Soup Company**, Camden, NJ (US)

(\*\*) Term: **14 Years**

(21) Appl. No.: **29/316,199**

(22) Filed: **Sep. 2, 2009**

(51) **LOC (9) Cl.** ..... **09-01**

(52) **U.S. Cl.** ..... **D9/538; D9/540; D9/551; D9/557; D9/454**

(58) **Field of Classification Search** ..... D9/516, D9/530, 537-543, 545, 550-551, 553-558, D9/454; 215/381-385

See application file for complete search history.

(56) **References Cited**

**U.S. PATENT DOCUMENTS**

D199,279 S *	9/1964	Koenigsberg	.....	D9/550 X
D214,423 S *	6/1969	Linn	.....	D9/538
D263,120 S *	2/1982	Fossella et al.	.....	D9/550
D365,519 S *	12/1995	Welch et al.	.....	D9/454
5,971,184 A *	10/1999	Krishnakumar et al.	.....	215/384
D423,936 S *	5/2000	Smith et al.	.....	D9/540 X
6,439,413 B1 *	8/2002	Prevot et al.	.....	215/381
D496,281 S *	9/2004	Trude	.....	D9/540
D522,870 S *	6/2006	Venkataraman et al.	.....	D9/538
D523,345 S *	6/2006	Kamineni	.....	D9/537
D532,310 S *	11/2006	Yourist	.....	D9/538
D538,168 S *	3/2007	Davis et al.	.....	D9/538
D547,664 S *	7/2007	Davis et al.	.....	D9/538

D565,412 S *	4/2008	Fuller	.....	D9/454 X
D573,476 S *	7/2008	Hopkins	.....	D9/538
D584,947 S *	1/2009	Bourne	.....	D9/538 X
D611,349 S *	3/2010	Shah et al.	.....	D9/516
D615,870 S *	5/2010	Bourne	.....	D9/538
D624,427 S *	9/2010	Yourist et al.	.....	D9/538
2007/0090083 A1 *	4/2007	Trude	.....	215/384

\* cited by examiner

*Primary Examiner*—Carol Rademaker

(74) *Attorney, Agent, or Firm*—Gary M. Cohen

(57) **CLAIM**

We claim the ornamental design for a container, as shown and described.

**DESCRIPTION**

FIG. 1 is a top, front, and right side perspective view of a container showing our new design;

FIG. 2 is a front elevational view thereof;

FIG. 3 is a rear elevational view thereof;

FIG. 4 is a left side elevational view thereof;

FIG. 5 is a right side elevational view thereof;

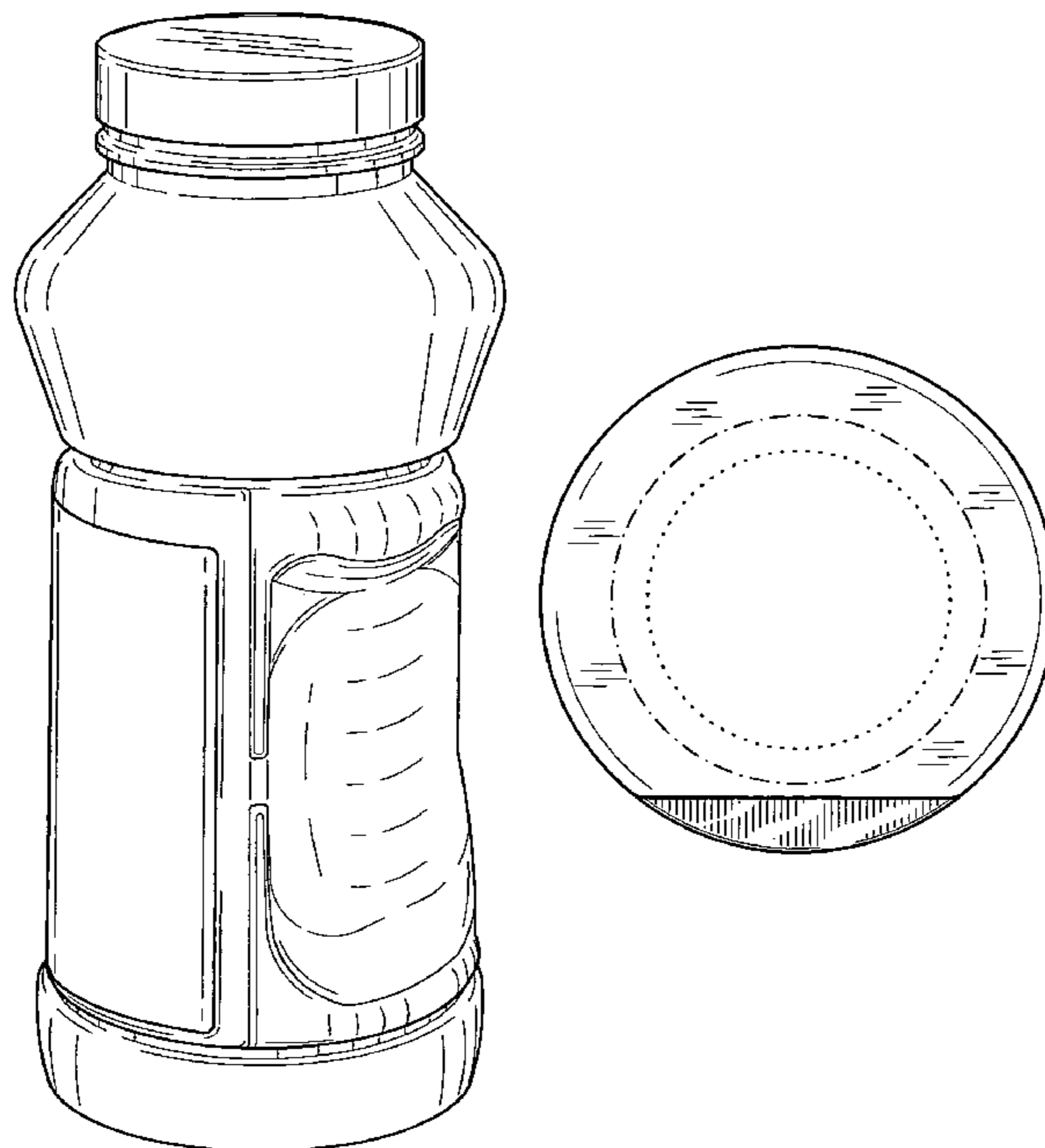
FIG. 6 is a top plan view thereof; and,

FIG. 7 is a bottom plan view thereof.

The dot-dash-dot-dash broken line shown in the FIG. 7 bottom plan view defines the bottom boundary of the claimed design.

The dot-dot-dot-dot broken line shown in the FIG. 7 bottom plan view is included for the purpose of showing environmental structure that forms no part of the claimed design.

**1 Claim, 6 Drawing Sheets**



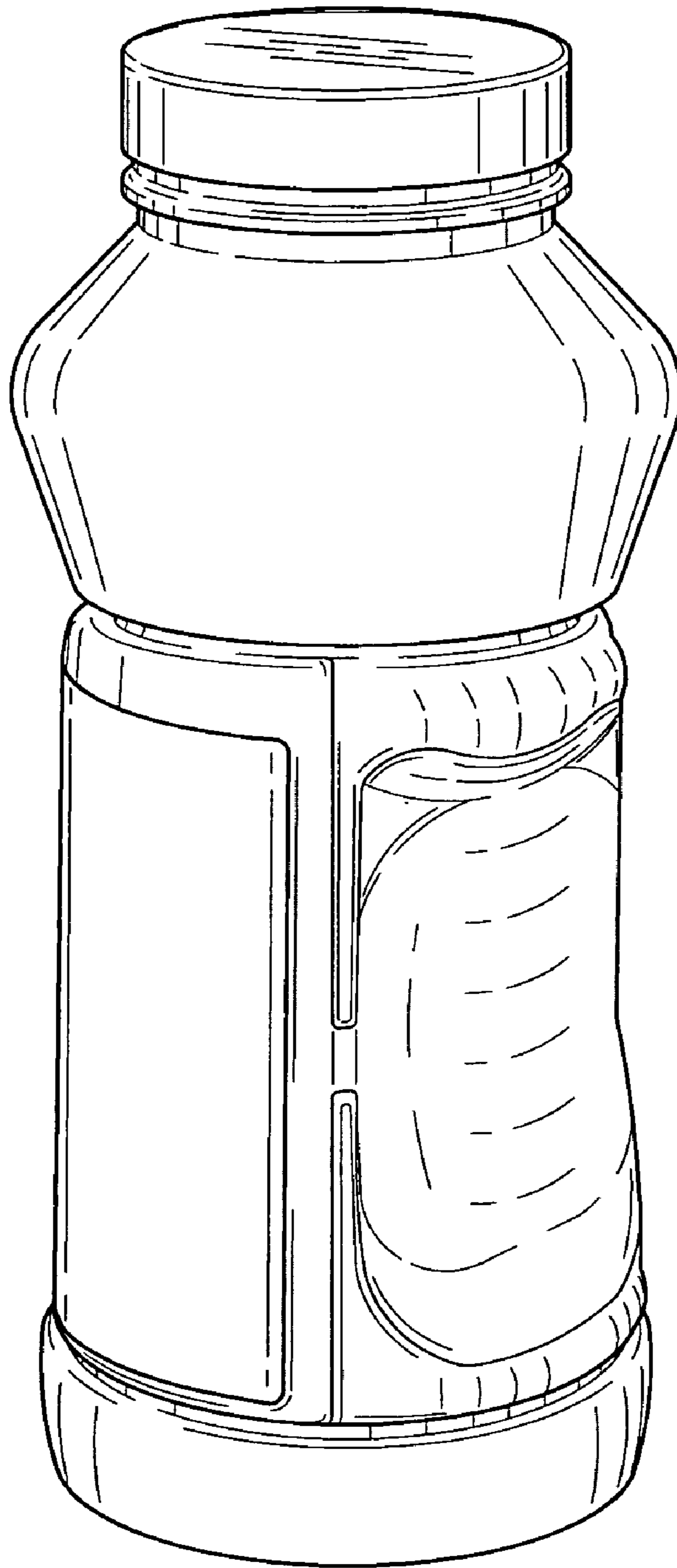


Fig. 1

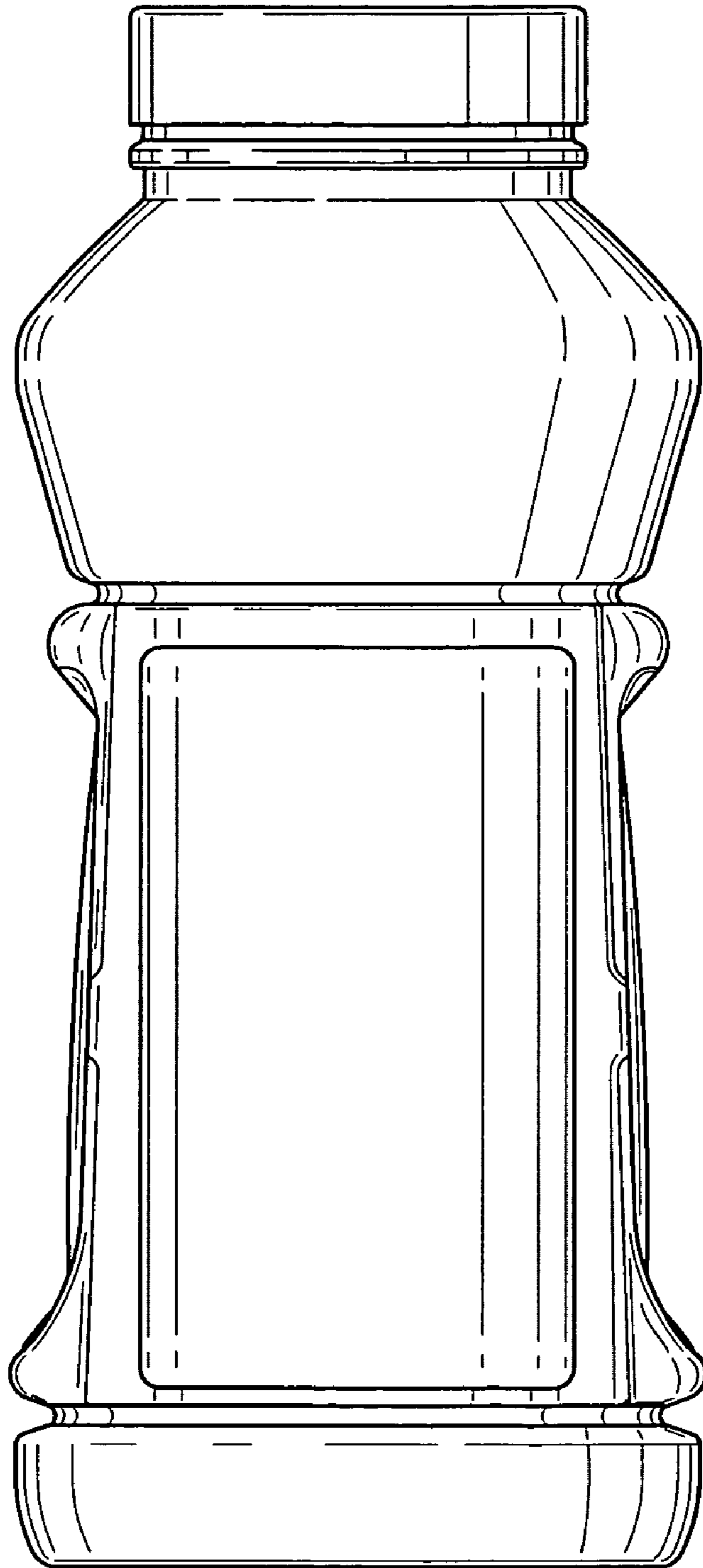


Fig. 2

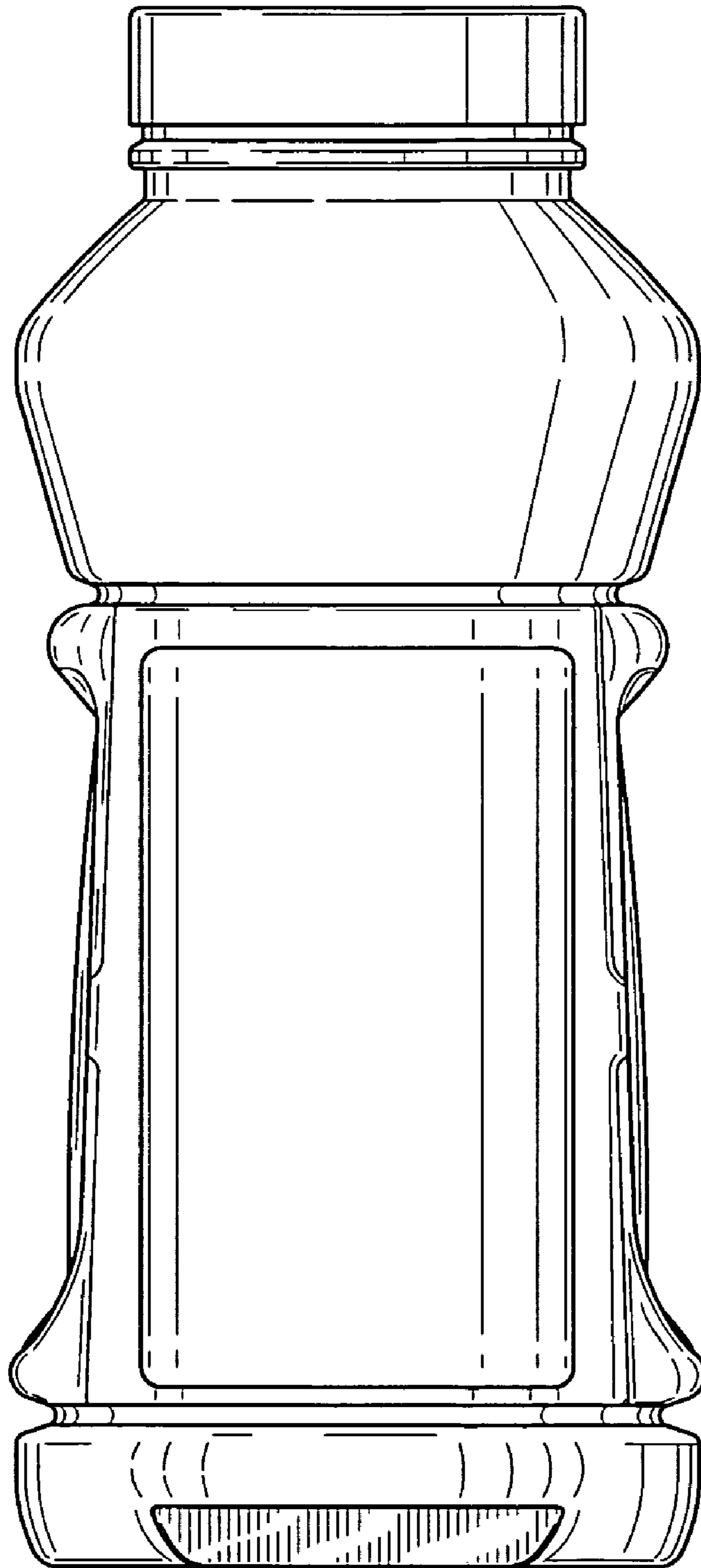


Fig. 3

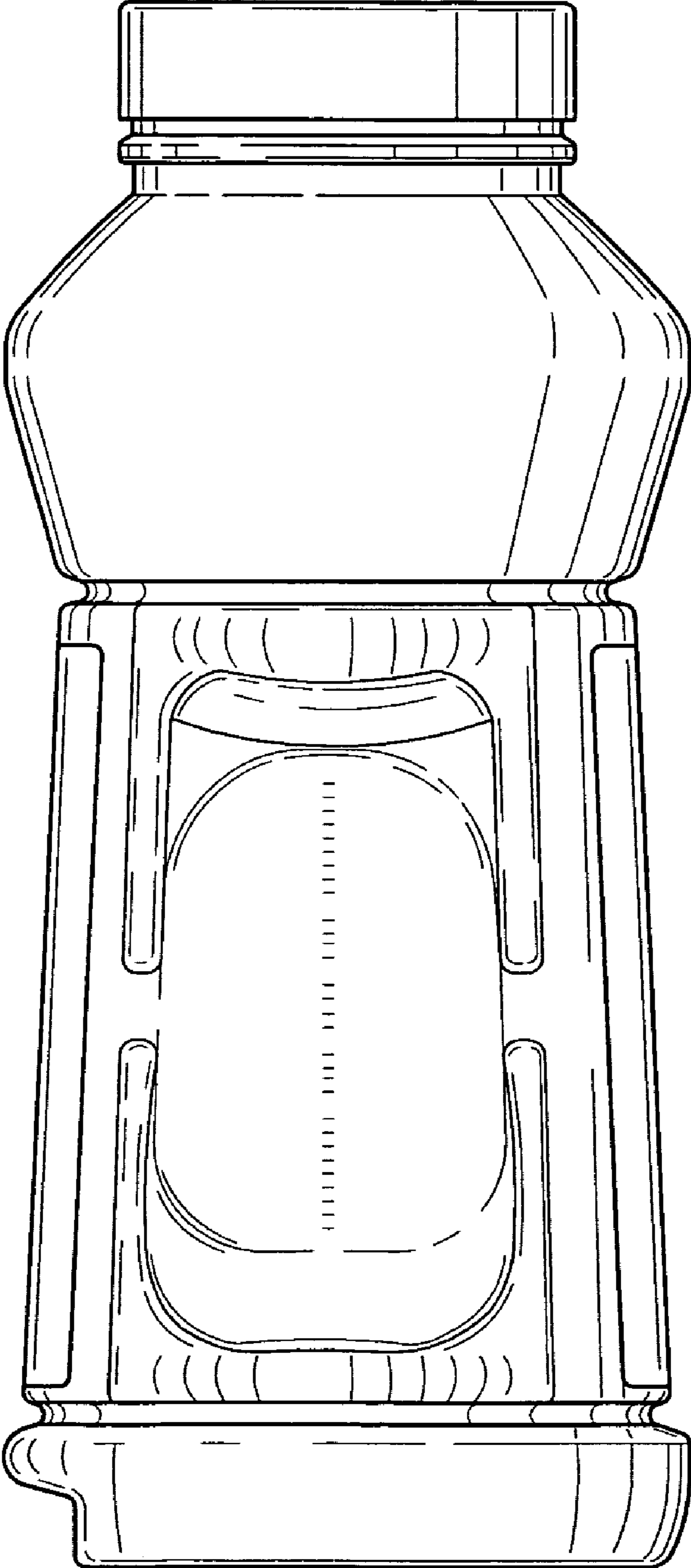


Fig. 4

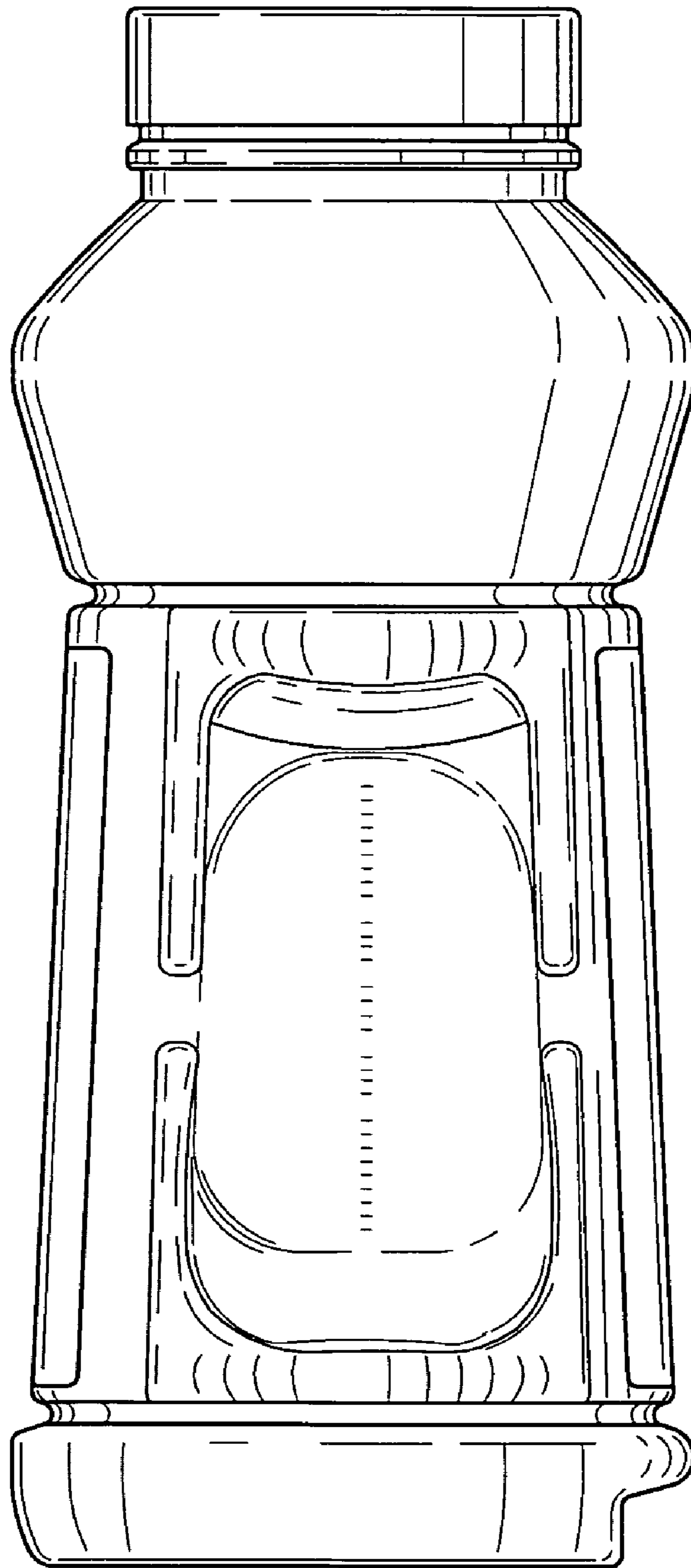
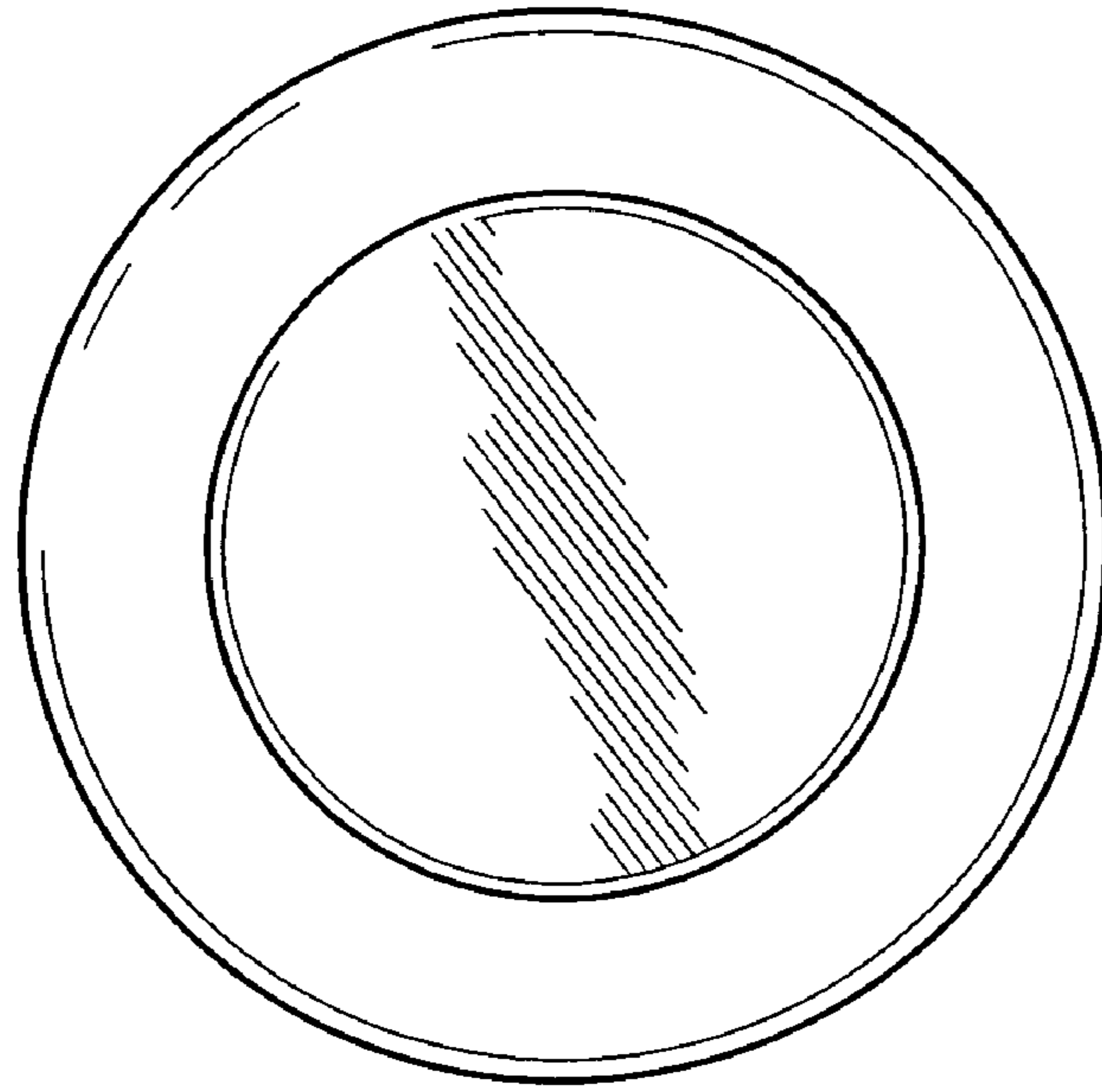
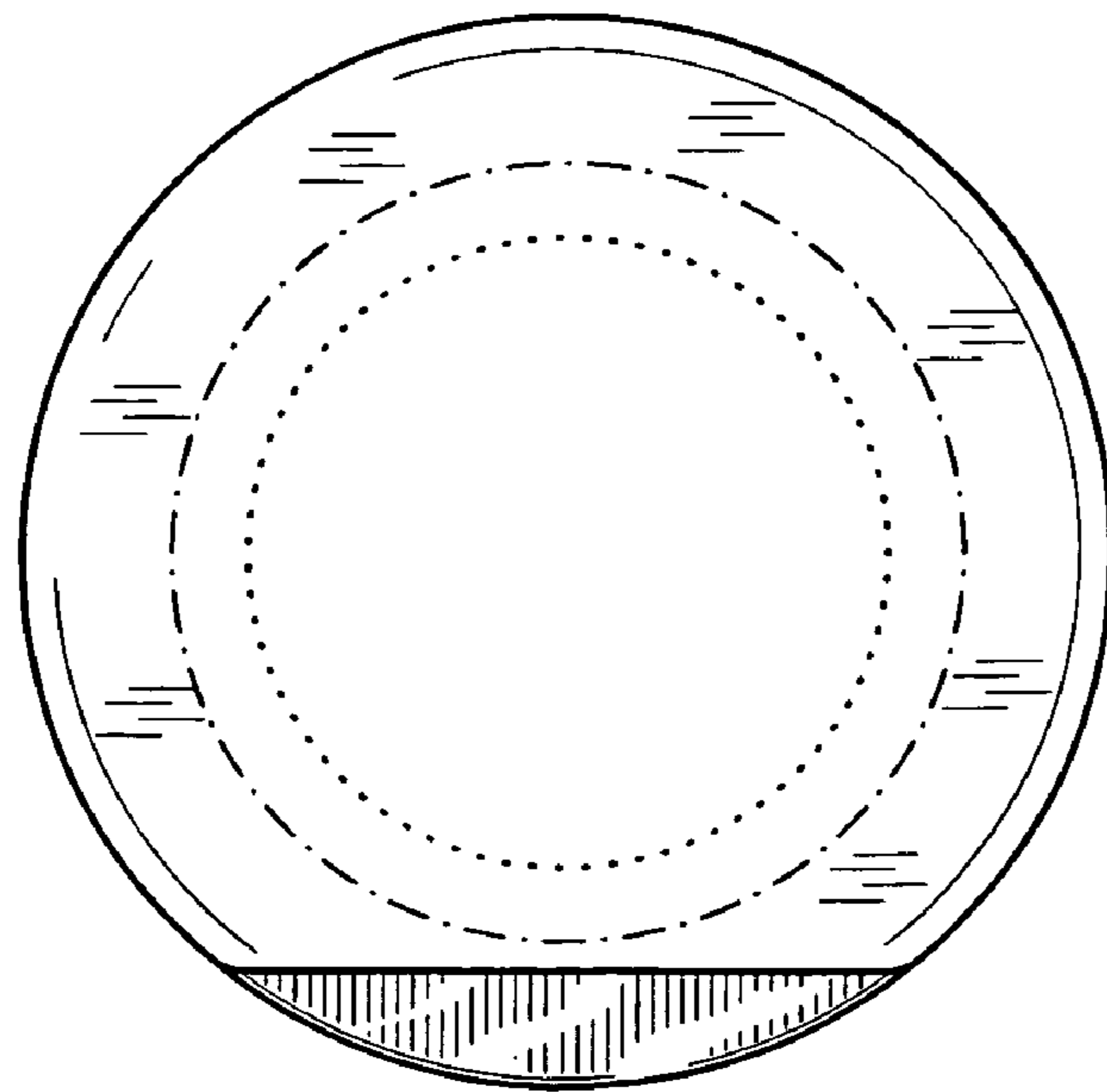


Fig. 5



*Fig. 6*



*Fig. 7*