



US00D630096S

(12) **United States Design Patent**
Doster

(10) **Patent No.:** **US D630,096 S**
(45) **Date of Patent:** **** Jan. 4, 2011**

(54) **PYROPHORIC LIGHTER TRAY**
(75) Inventor: **Gary A. Doster**, Orchard Park, NY (US)
(73) Assignee: **Zippo Manufacturing Company**,
Bradford, PA (US)
(**) Term: **14 Years**
(21) Appl. No.: **29/319,967**
(22) Filed: **Jun. 18, 2008**

5,819,942 A 10/1998 Sadow
D460,691 S * 7/2002 Morris et al. D9/456
6,659,271 B2 12/2003 Parsons
6,675,973 B1 1/2004 McDonald et al.
D523,338 S * 6/2006 Hoge et al. D9/456
7,163,152 B2 1/2007 Osborn et al.
D539,055 S * 3/2007 Kershaw D6/457
D539,076 S * 3/2007 Rapaz D7/354
D541,103 S * 4/2007 Rapaz D7/354
D548,070 S 8/2007 Swain
D549,590 S 8/2007 Mauerhan et al.
D563,717 S * 3/2008 Rapaz D7/354
D567,575 S * 4/2008 Rapaz D7/354
D585,744 S * 2/2009 Shields D9/455

(51) **LOC (9) Cl.** **09-07**
(52) **U.S. Cl.** **D9/456**
(58) **Field of Classification Search** D9/705,
D9/635, 520, 517, 516, 456, 455, 454, 452,
D9/444, 445, 438, 436, 435, 434, 433, 432,
D9/416, 499; D26/51; 428/138; 362/101;
229/404, 128, 110, 103.3; 220/630; 206/776,
206/755, 754, 583, 522, 453, 390, 232
See application file for complete search history.

* cited by examiner

Primary Examiner—Susan Bennett Hattan
(74) *Attorney, Agent, or Firm*—Baker & McKenzie LLP

(57) **CLAIM**

The ornamental design for a pyrophoric lighter tray, as shown and described.

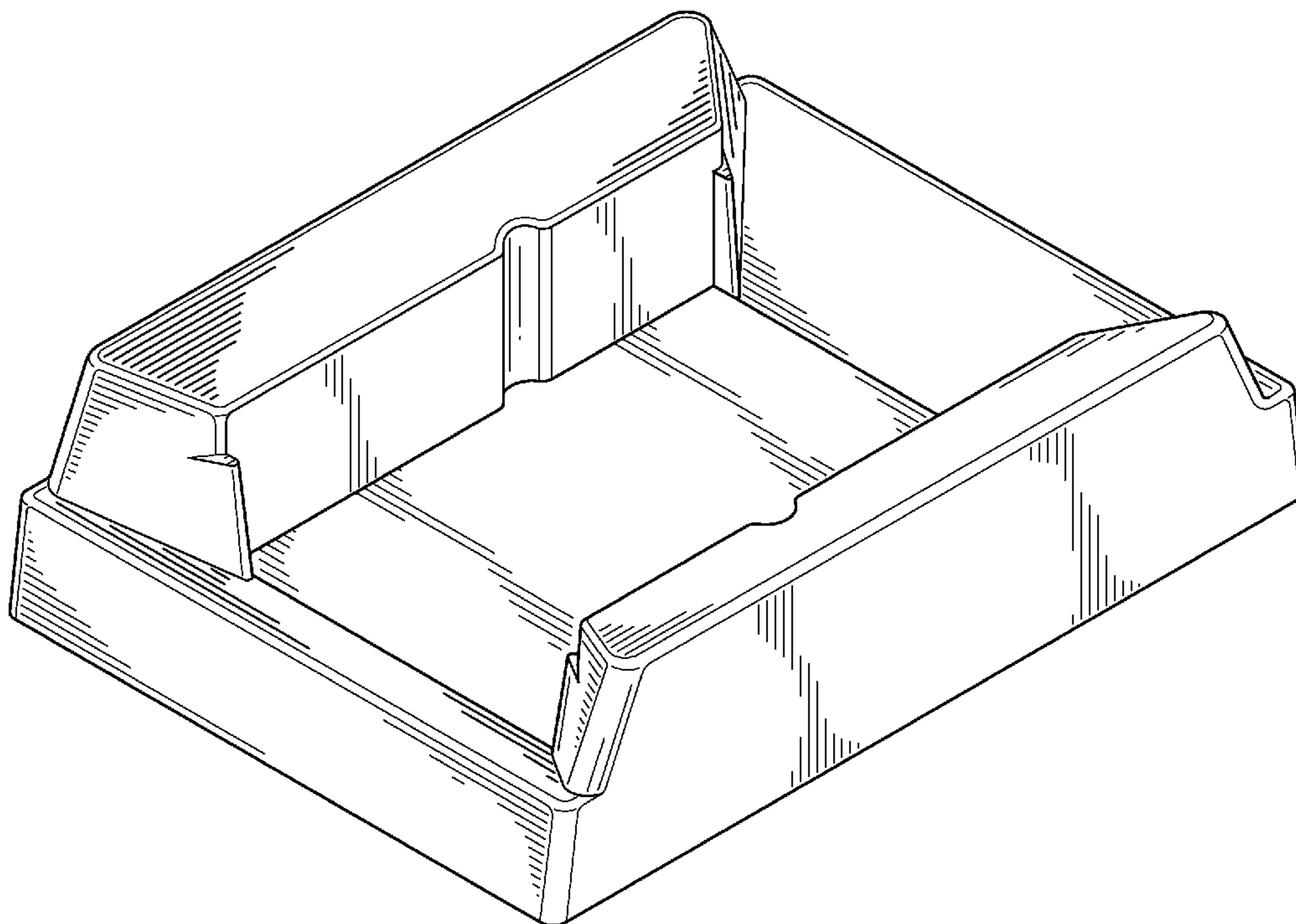
(56) **References Cited**
U.S. PATENT DOCUMENTS

1,666,001 A 4/1928 Catala
D103,562 S * 3/1937 Cook D9/455
2,657,793 A 11/1953 Goldshine
2,932,439 A 4/1960 Sparling
4,320,829 A 3/1982 DiMarzio et al.
D312,895 S * 12/1990 Goetz D30/129
5,024,328 A 6/1991 Bontrager
D331,538 S * 12/1992 Fabre D9/455
5,197,599 A 3/1993 Dolan
D340,761 S * 10/1993 Long D23/206

DESCRIPTION

FIG. 1 top view of a pyrophoric lighter tray.
FIG. 2 side view of FIG. 1.
FIG. 3 end view of FIG. 1.
FIG. 4 bottom view of FIG. 1.
FIG. 5 cross section of FIG. 1. along the lines 5—5.
FIG. 6 cross section of FIG. 1. along the lines 6—6; and,
FIG. 7 perspective view of a pyrophoric lighter tray.

1 Claim, 4 Drawing Sheets



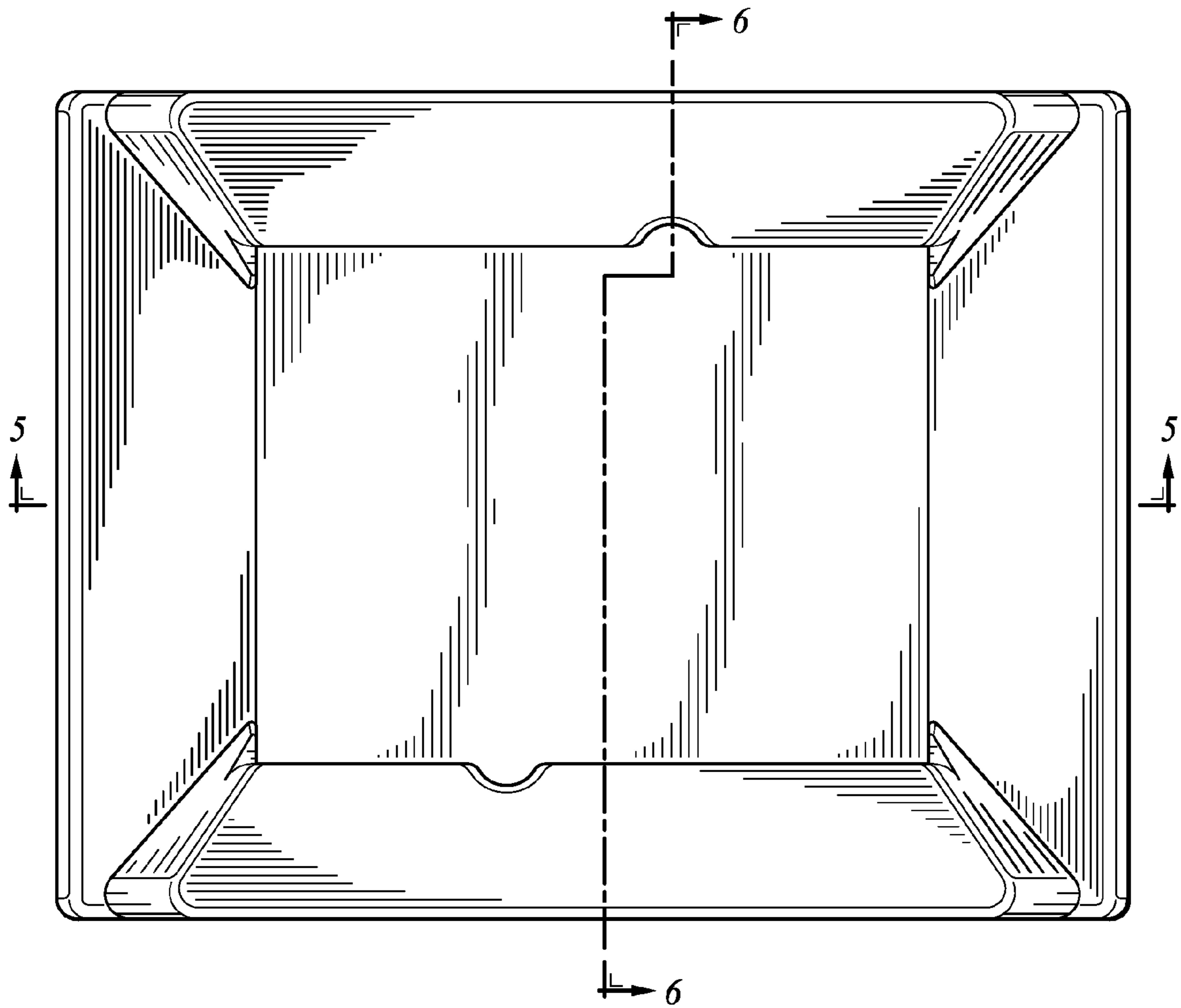


FIG. 1



FIG. 2

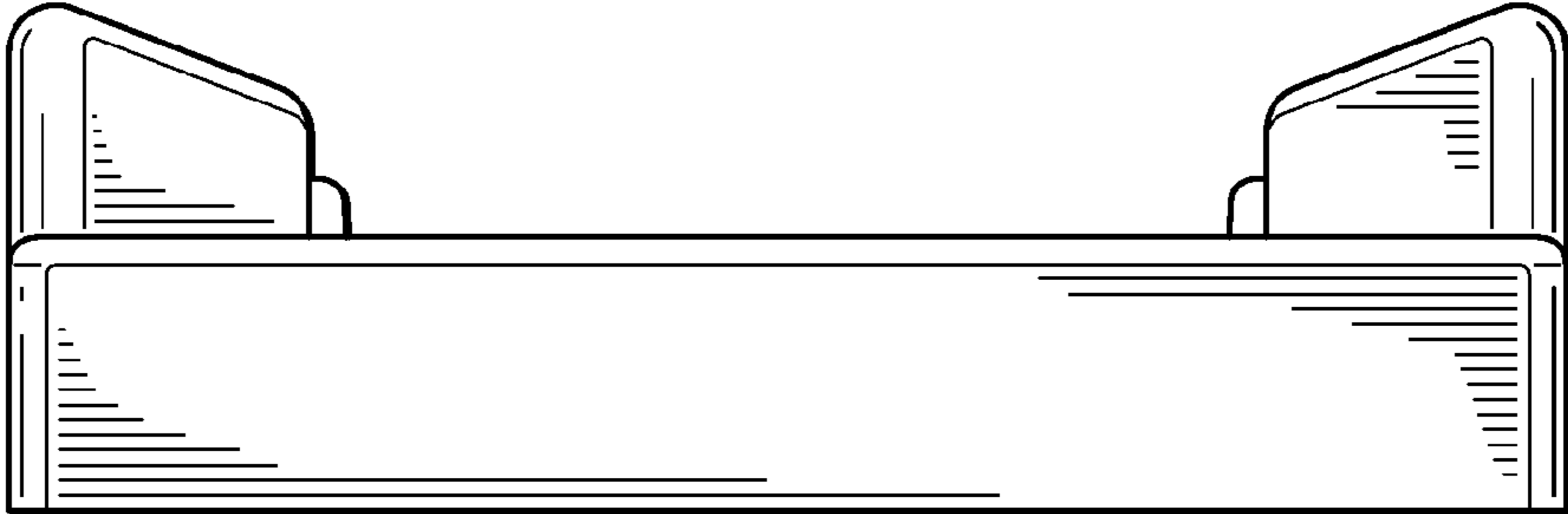


FIG. 3

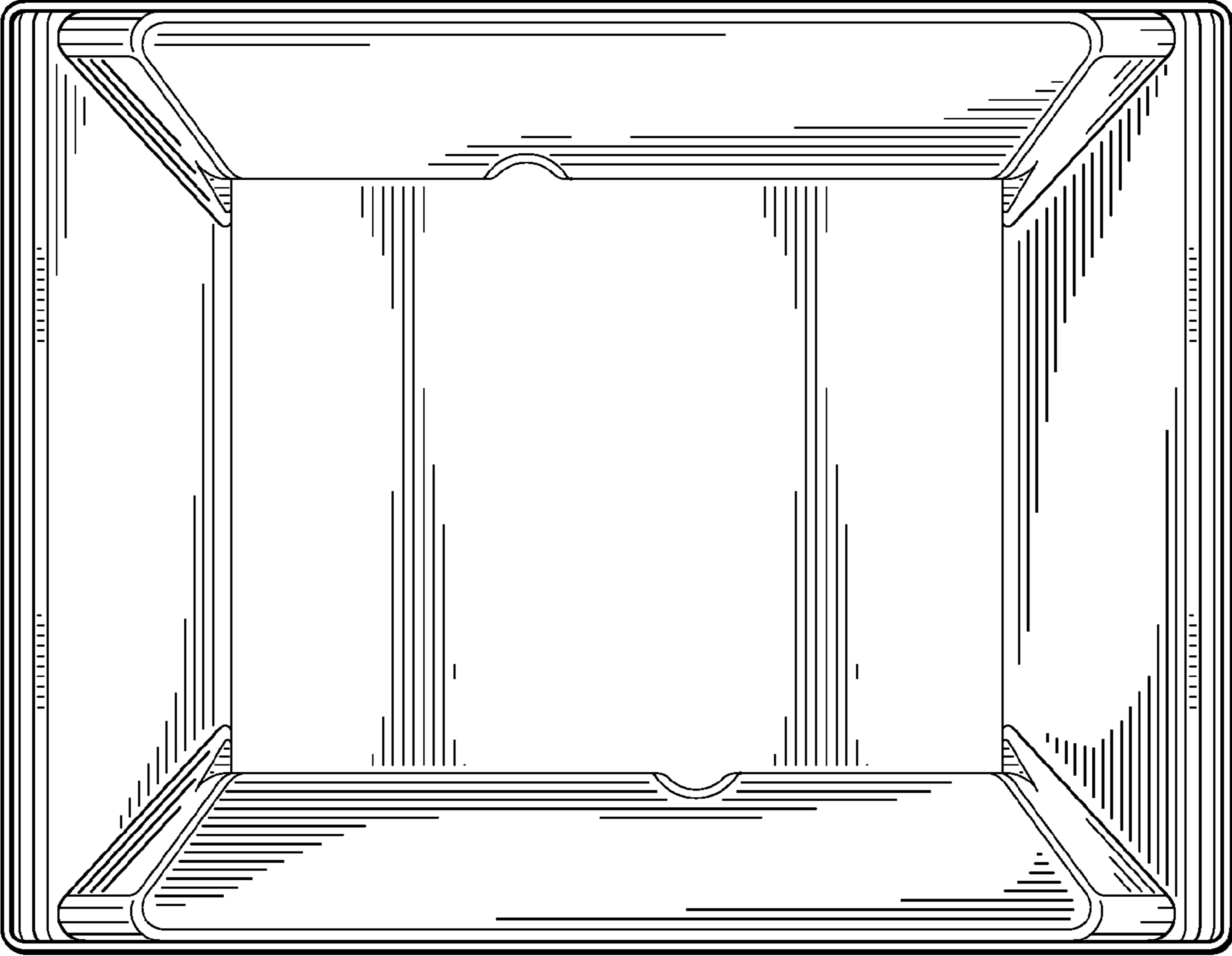


FIG. 4

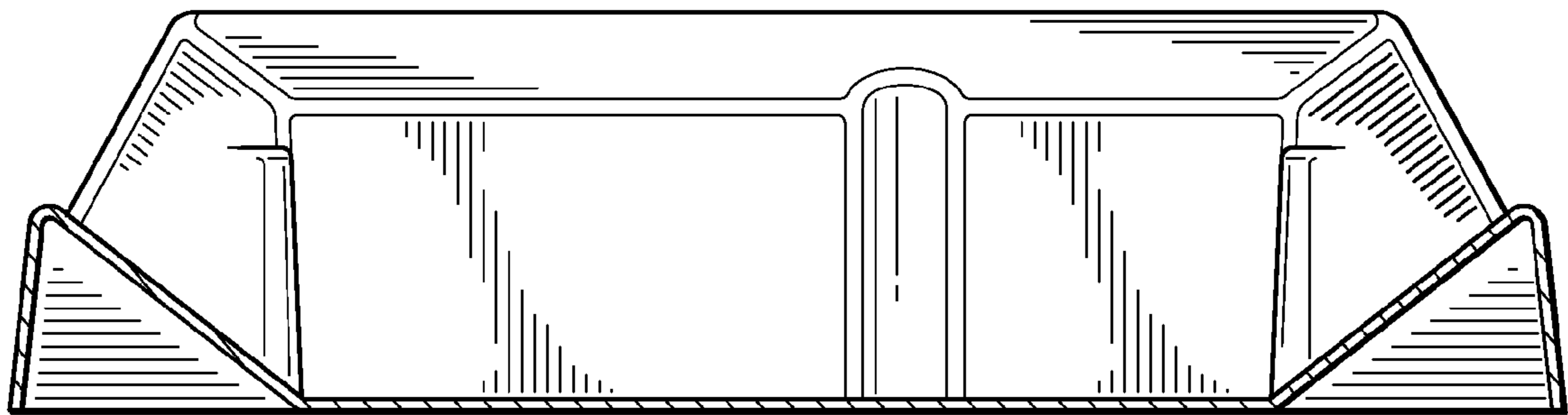


FIG. 5

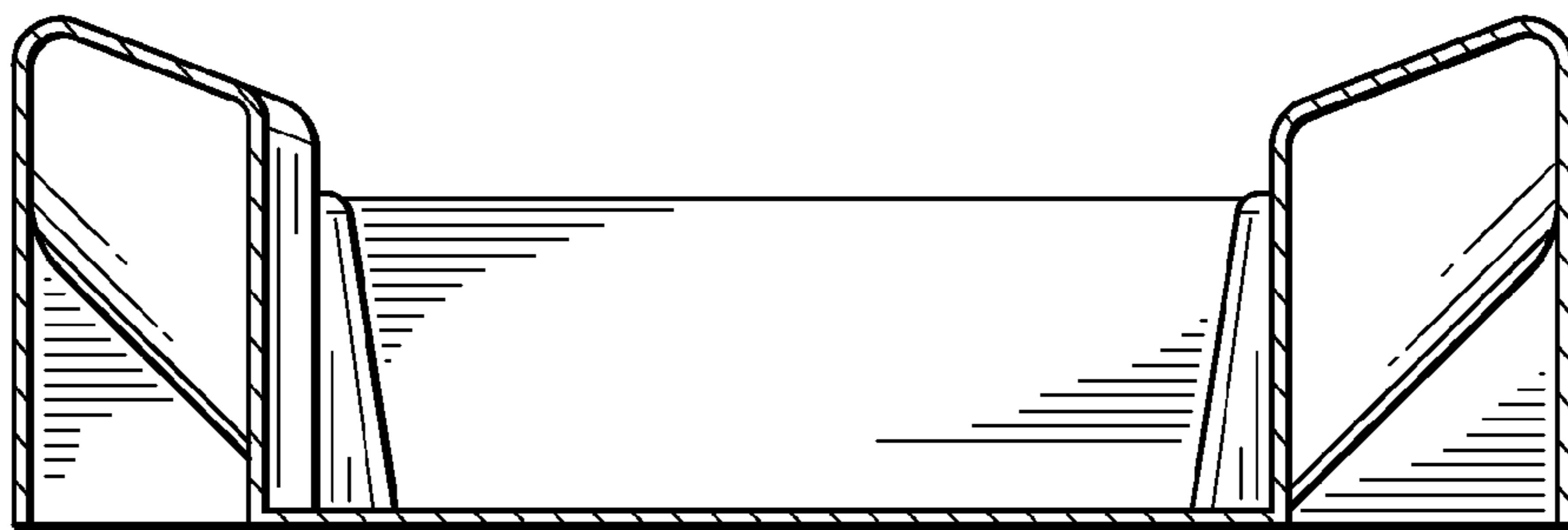


FIG. 6

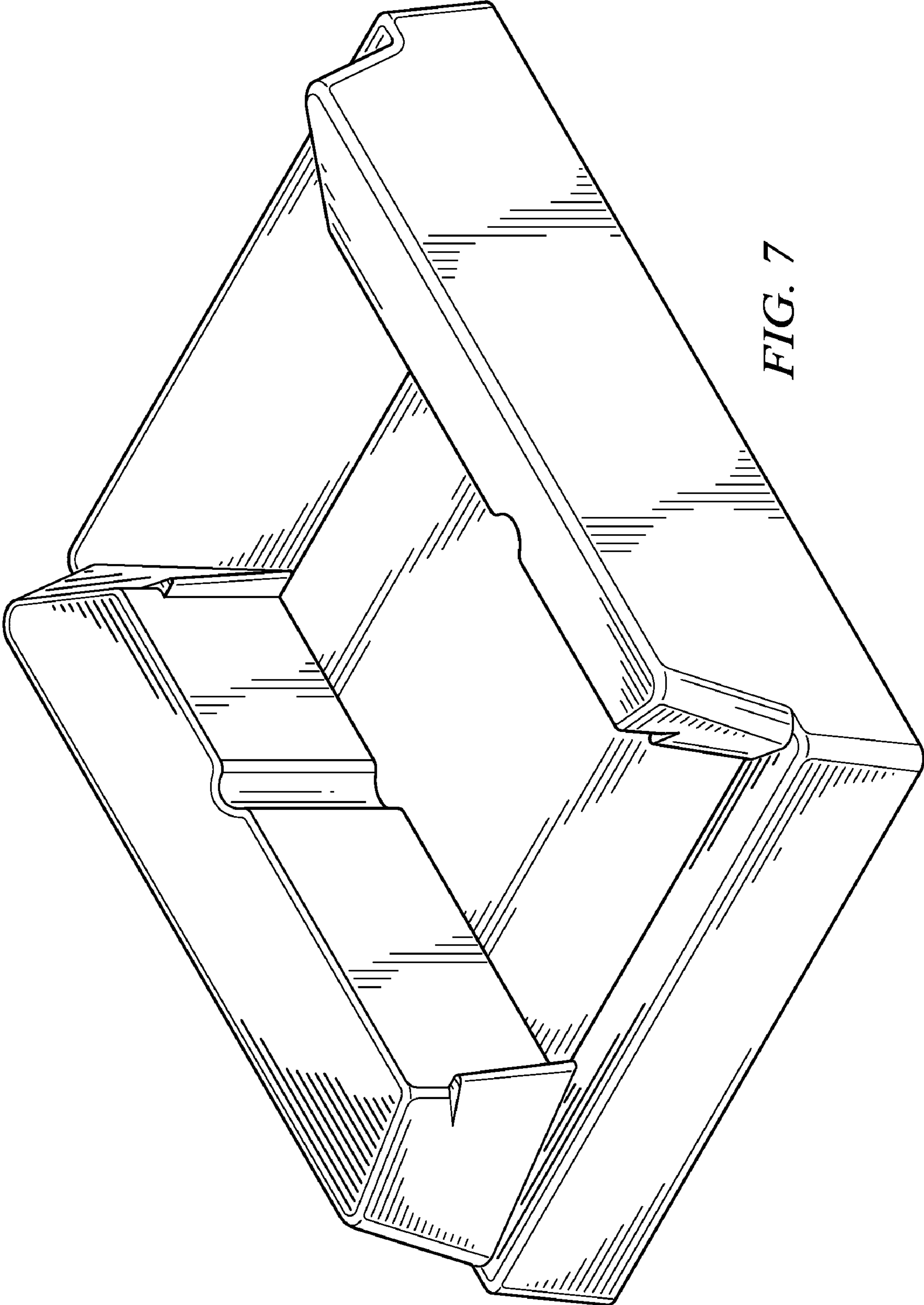


FIG. 7