



US00D630095S

(12) **United States Design Patent**
Dickner

(10) **Patent No.:** **US D630,095 S**
(45) **Date of Patent:** **** *Jan. 4, 2011**

(54) **EDGE PROTECTION DEVICE FOR PACKAGING PURPOSES**

D441,656 S * 5/2001 McQueen D9/456
D461,714 S * 8/2002 Hamada et al. D9/456
6,564,938 B1 5/2003 Thompson

(75) Inventor: **Allan Dickner**, Almhult (SE)

FOREIGN PATENT DOCUMENTS

(73) Assignee: **Inter Ikea Systems B.V.**, Delft (NL)

DE 43 42 221 A1 * 4/1995

(*) Notice: This patent is subject to a terminal disclaimer.

OTHER PUBLICATIONS

U.S. Appl. No. 2004/0025758, filed Feb. 12, 2004, Dickner, A.*

(**) Term: **14 Years**

* cited by examiner

(21) Appl. No.: **29/179,471**

Primary Examiner—T. Chase Nelson

(74) *Attorney, Agent, or Firm*—Merchant & Gould P.C.

(22) Filed: **Apr. 11, 2003**

(57) **CLAIM**

(51) **LOC (9) Cl.** **09-07**

The ornamental design for an edge protection device for packaging purposes, as shown.

(52) **U.S. Cl.** **D9/456**

(58) **Field of Classification Search** D9/456,
D9/434, 499; D3/319; D8/403; 206/523,
206/524, 525.1, 526, 564, 586, 587, 593,
206/522, 449, 451, 453, 454, 511

DESCRIPTION

FIG. 1 is a side plan view from the outside showing my design for an edge protection device for packaging purposes;

FIG. 2 is a top plan view from above;

FIG. 3 is a side plan view;

FIG. 4 is a plan end view;

FIG. 5 is a perspective view from the outside and above;

FIG. 6 is a perspective view from the inside and above; and,

FIG. 7 is a cross-sectional view along line 7 of FIG. 3.

See application file for complete search history.

(56) **References Cited**

U.S. PATENT DOCUMENTS

D234,752 S * 4/1975 Paove D9/456
3,880,286 A * 4/1975 Wegener 206/597
4,127,192 A * 11/1978 Card D9/456
5,588,374 A 12/1996 Urbach
5,813,536 A * 9/1998 Bartholomew 206/449

1 Claim, 3 Drawing Sheets

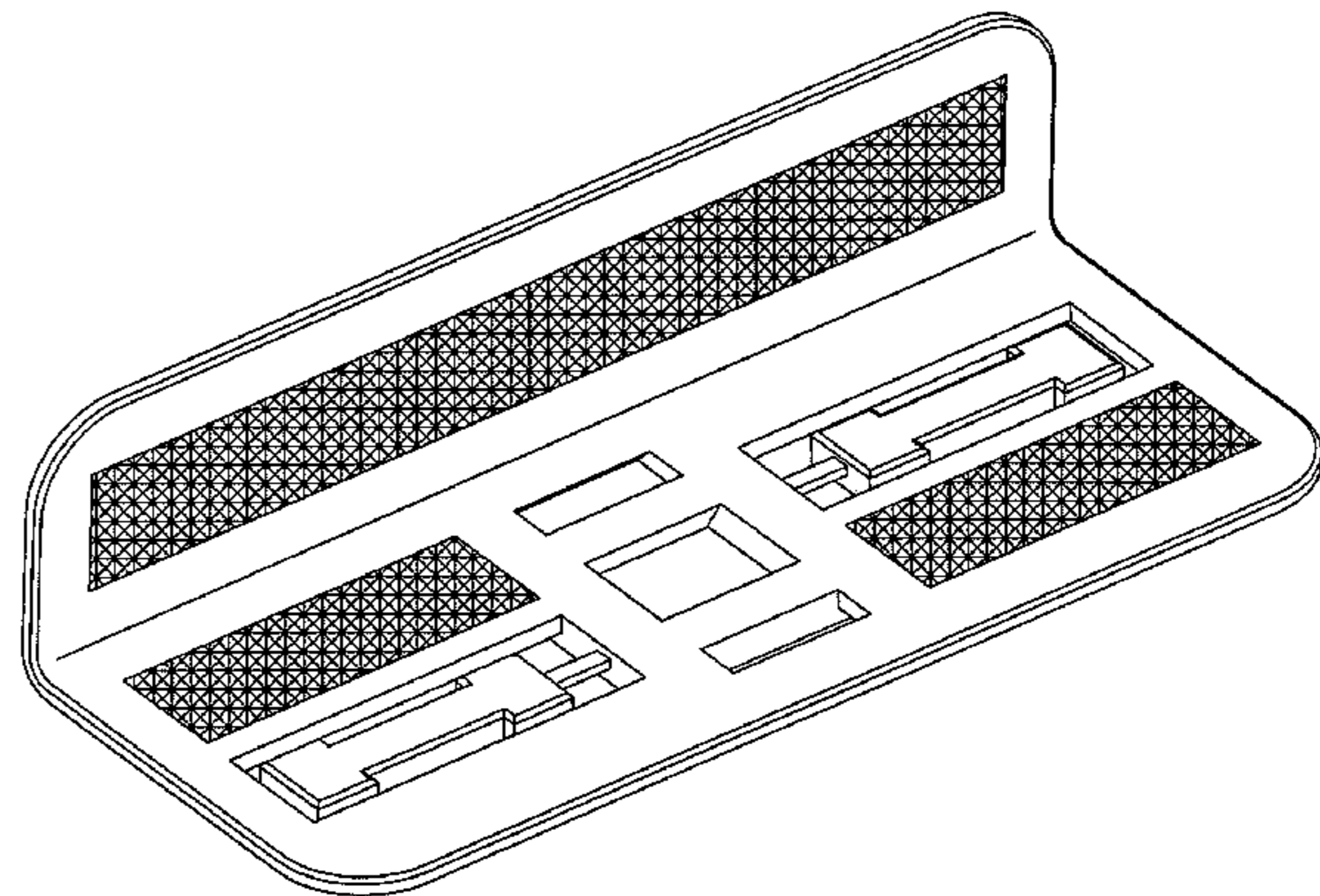
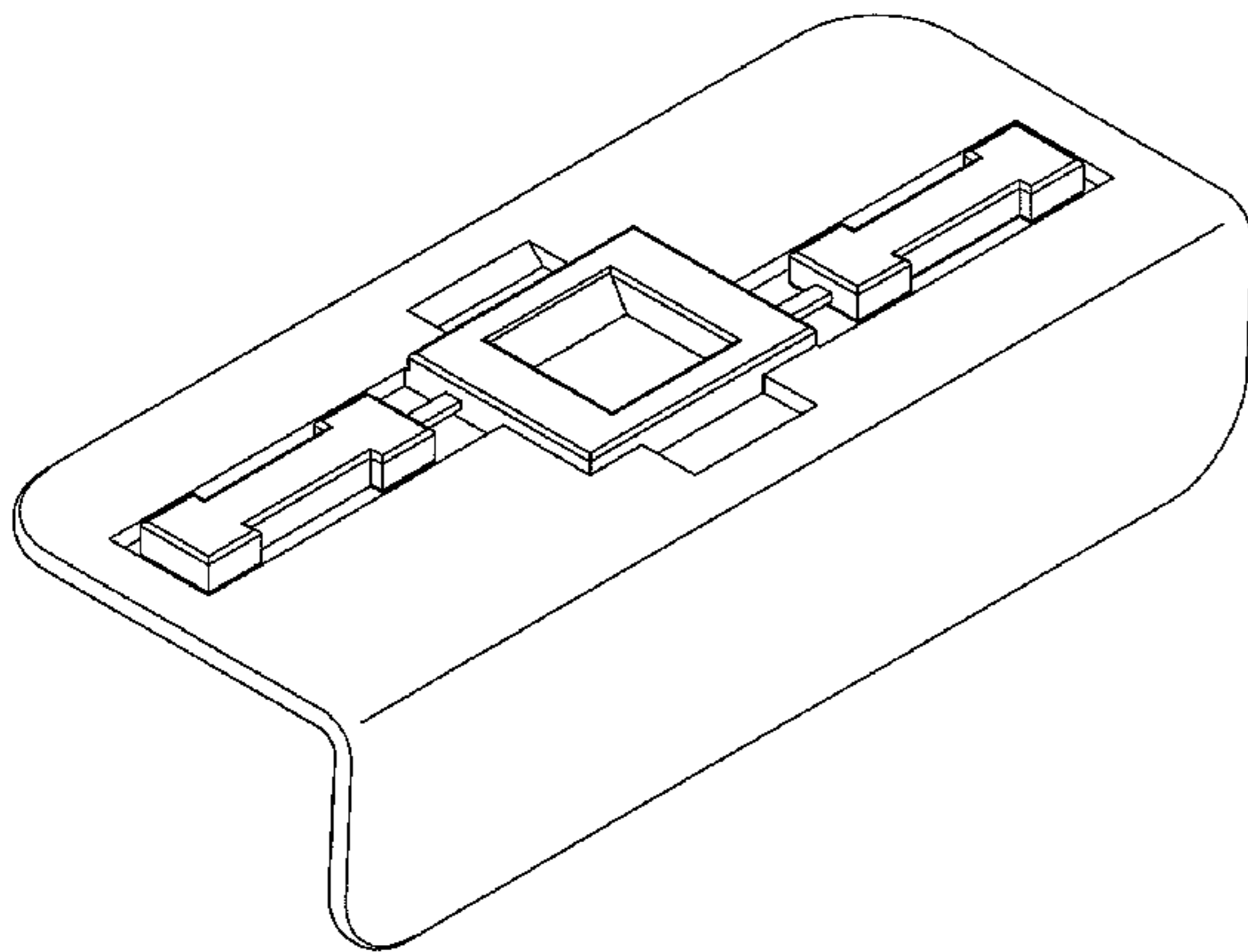


FIG. 1

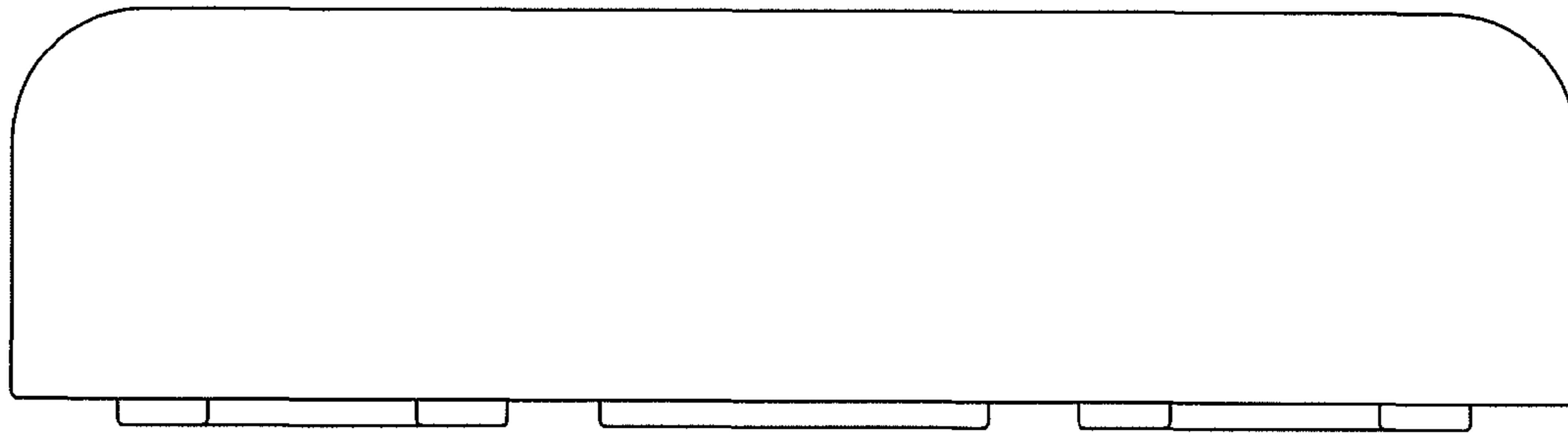


FIG. 2

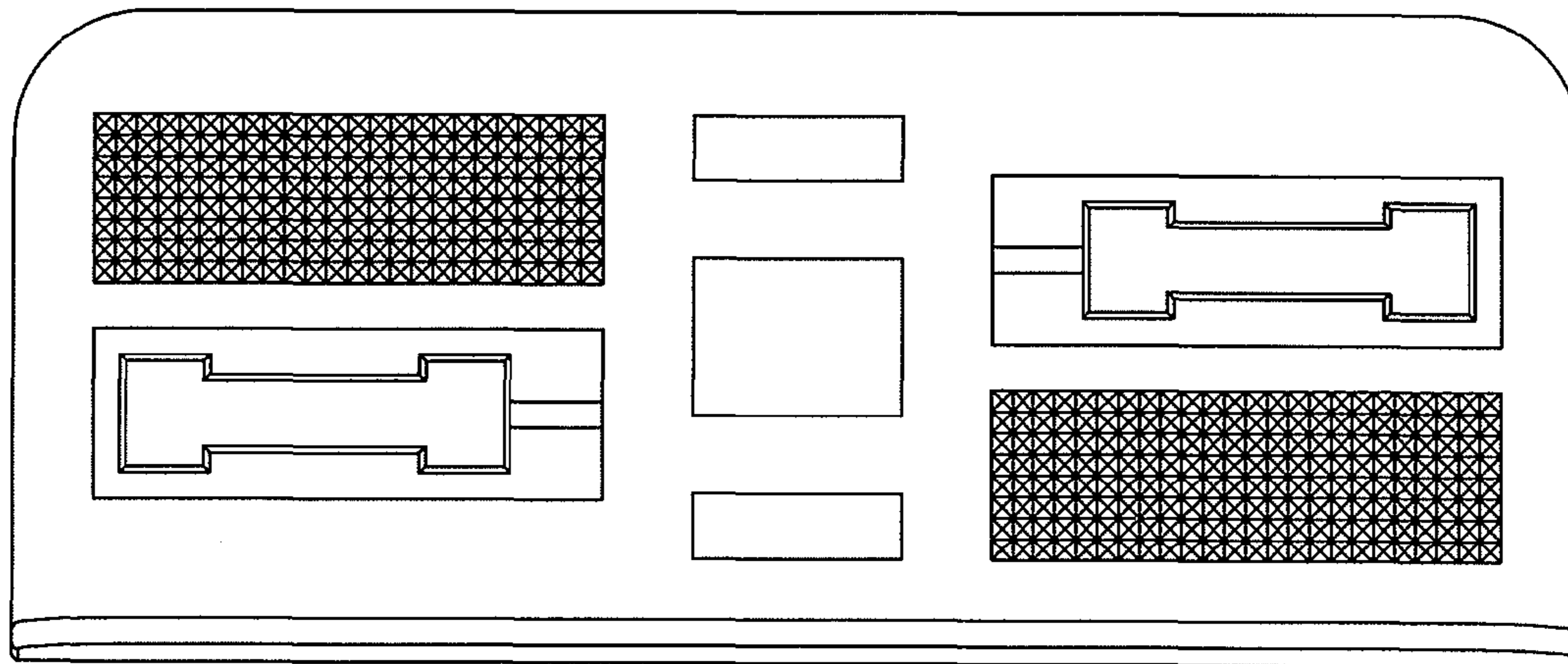


FIG. 3

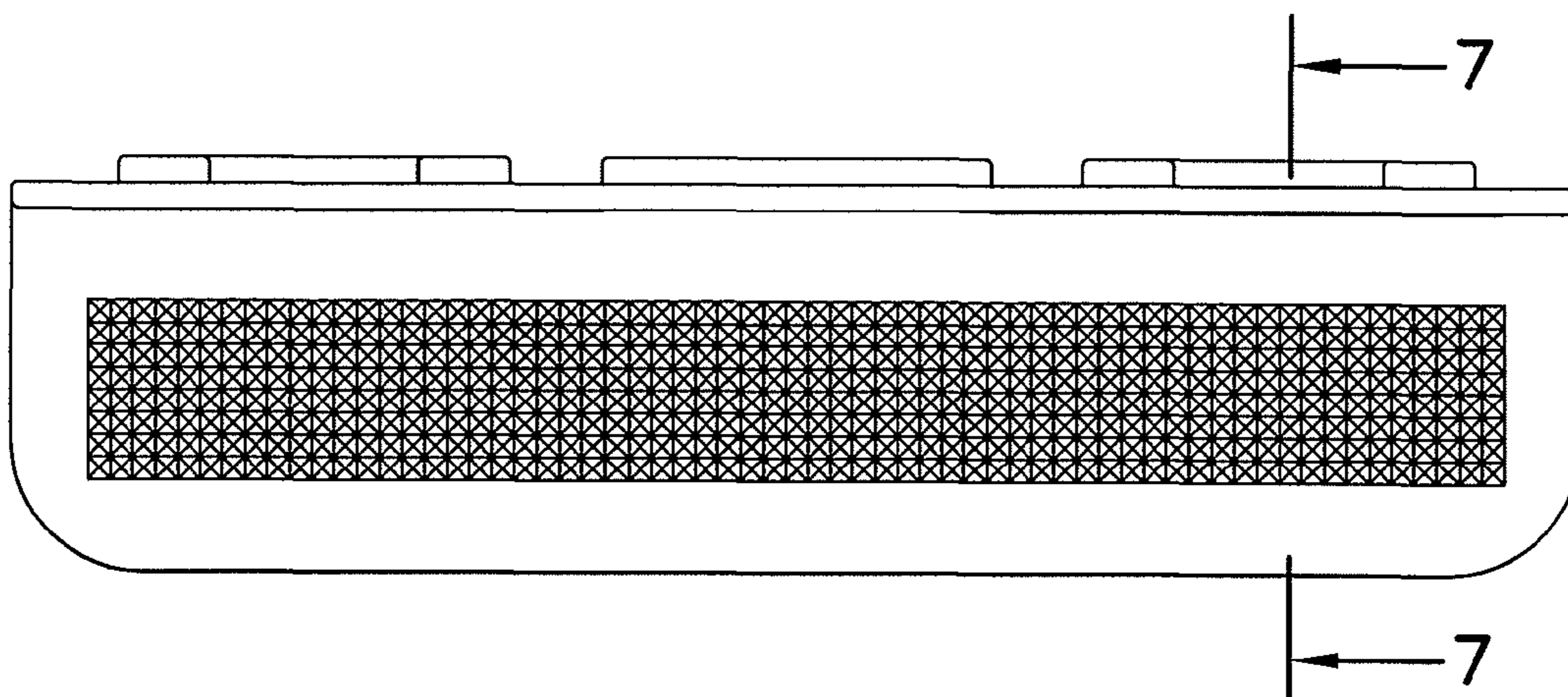


FIG. 4

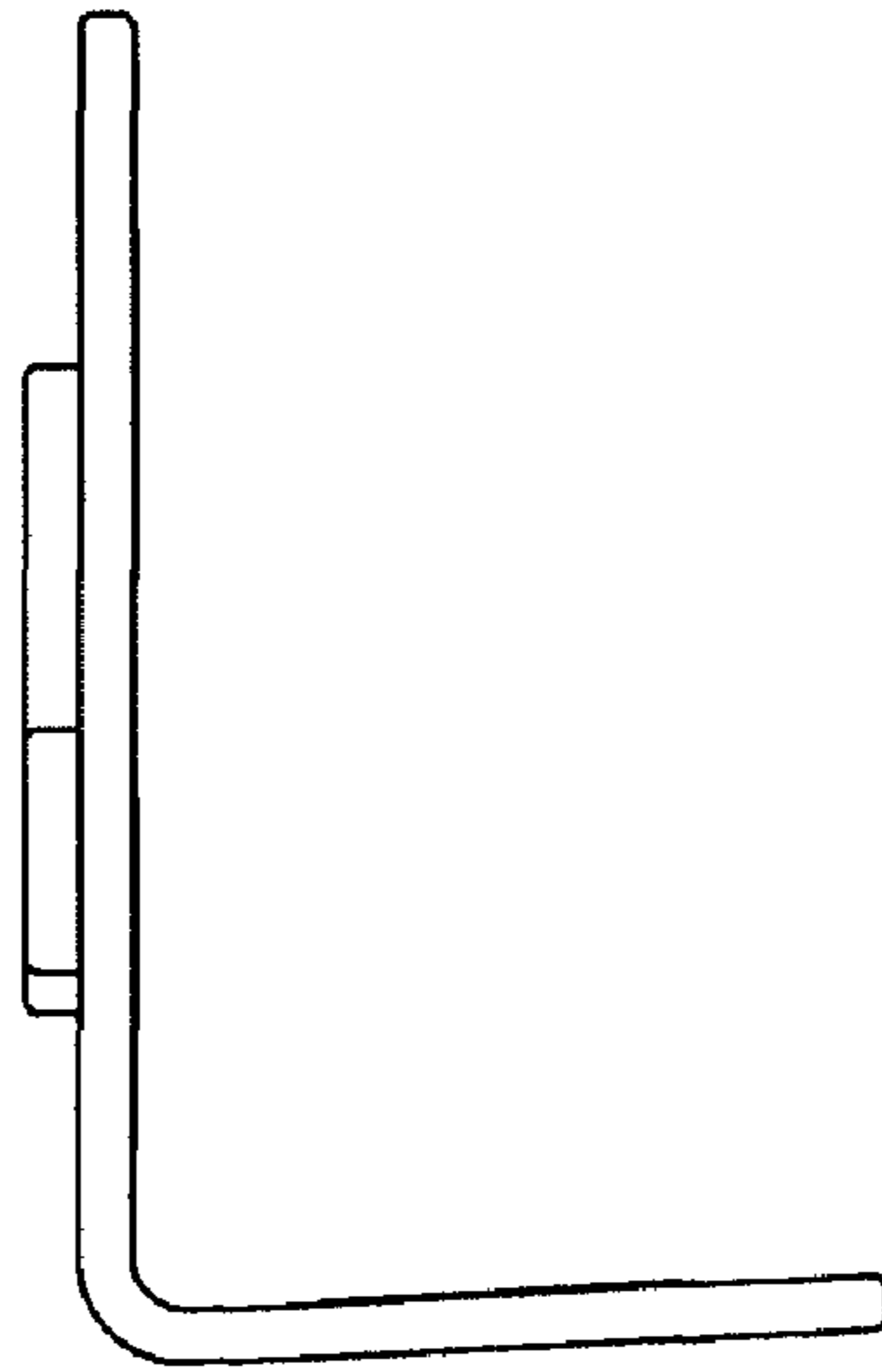


FIG. 7

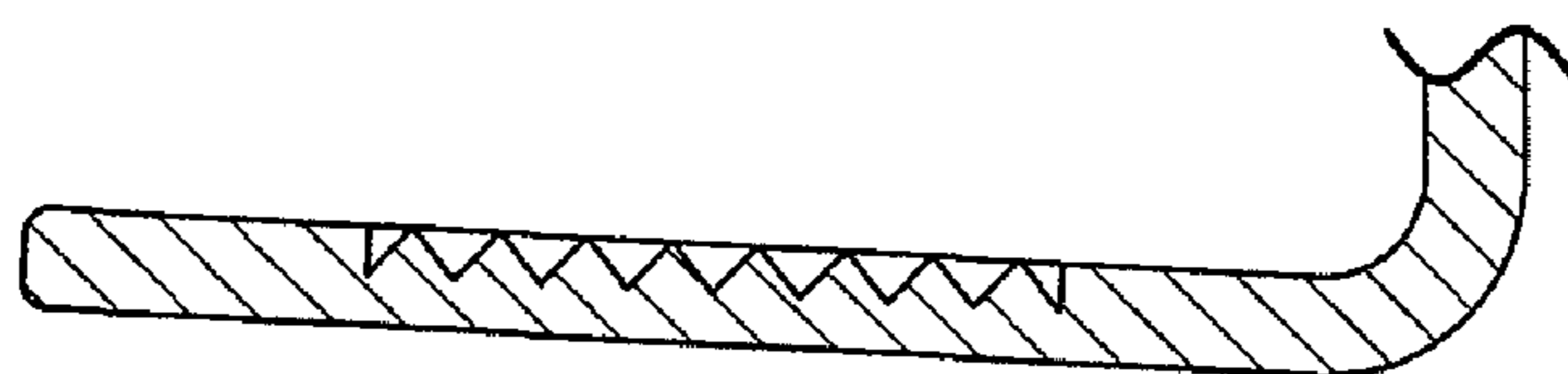


FIG. 5

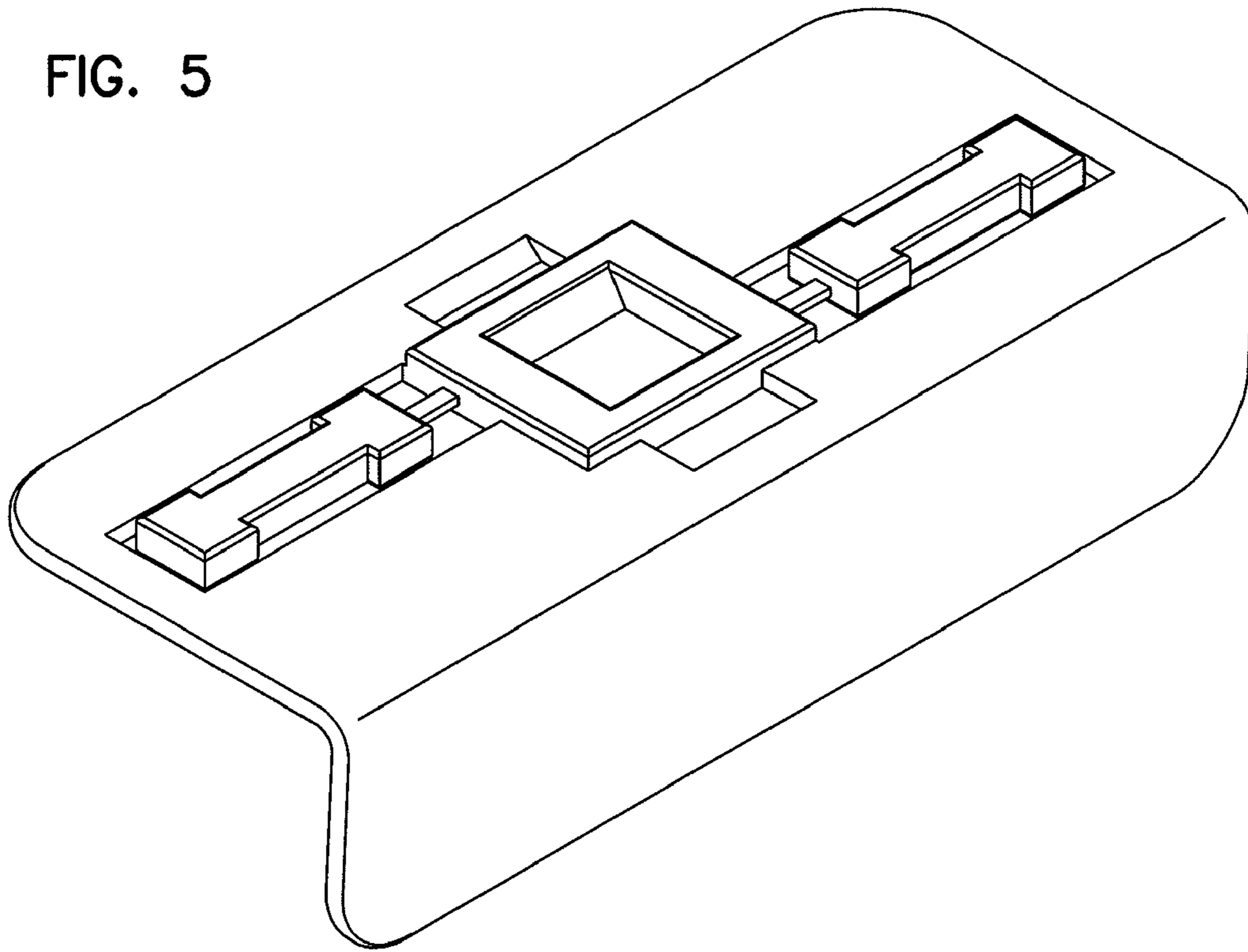


FIG. 6

