

US00D630092S

(12) **United States Design Patent**
Roveda et al.

(10) **Patent No.:** **US D630,092 S**

(45) **Date of Patent:** **** Jan. 4, 2011**

(54) **BOX**

(76) Inventors: **Federico Roveda**, Via Correggio, 1,
20149 Milano (IT); **Beatrice Trussardi**,
Via Osmano, 6, 24129 Bergamo (IT)

(**) Term: **14 Years**

(21) Appl. No.: **29/347,241**

(22) Filed: **Nov. 9, 2009**

(30) **Foreign Application Priority Data**

May 13, 2009 (EM) 001137061

(51) **LOC (9) Cl.** **09-03**

(52) **U.S. Cl.** **D9/431**

(58) **Field of Classification Search** D9/430-433,
D9/414, 418, 420-424; D3/272; 206/267,
206/269, 270, 273, 299, 737, 740, 822; 229/100,
229/101, 101.3, 106, 108-112, 114-117,
229/117.05-117.09, 117.24-117.26, 221,
229/222, 227, 902, 939, 941, 942

See application file for complete search history.

(56) **References Cited**

U.S. PATENT DOCUMENTS

D14,935 S * 4/1884 Rixford D9/432
1,864,069 A * 6/1932 Jones 229/117.16
1,983,010 A * 12/1934 Spees 229/117.15
2,112,535 A * 3/1938 Kondolf 206/193
D153,268 S * 4/1949 Eaton D9/432
2,894,673 A * 7/1959 Vuilleminot 229/113
3,305,159 A * 2/1967 Becker et al. 229/221
3,403,839 A * 10/1968 Farquhar 229/112
3,841,548 A * 10/1974 Curley 206/424
4,042,110 A * 8/1977 Guernsey 206/459.1
D257,830 S * 1/1981 Card D9/432
4,243,171 A * 1/1981 Prin 229/117.16

D263,116 S * 2/1982 Cain D9/654
4,678,882 A * 7/1987 Bohrer et al. 219/730
5,083,700 A * 1/1992 Mello et al. 229/115
5,295,630 A * 3/1994 Parish 229/138
5,716,473 A * 2/1998 Gordon et al. 156/200
D439,513 S * 3/2001 Teasdale et al. D9/415
6,478,216 B2 * 11/2002 Wiart 229/101
D489,255 S * 5/2004 Kratzert et al. D9/433
D533,450 S * 12/2006 Edwards et al. D9/431
D581,262 S * 11/2008 Suyama et al. D9/415
D597,832 S * 8/2009 Bischoff et al. D9/431
D601,418 S * 10/2009 Bone et al. D9/431
2003/0111521 A1 * 6/2003 Holmes 229/117
2008/0265009 A1 * 10/2008 Katoh 229/117.16

* cited by examiner

Primary Examiner—Robert M Spear

Assistant Examiner—Karen Acker

(74) *Attorney, Agent, or Firm*—Modiano & Associati; Daniel
O’Byrne; Albert Josif

(57) **CLAIM**

The ornamental design for a “box”, as shown and described.

DESCRIPTION

FIG. 1 is a front perspective view of the box;

FIG. 2 is a rear perspective view thereof;

FIG. 3 is a front elevation view thereof;

FIG. 4 is a rear elevation view thereof;

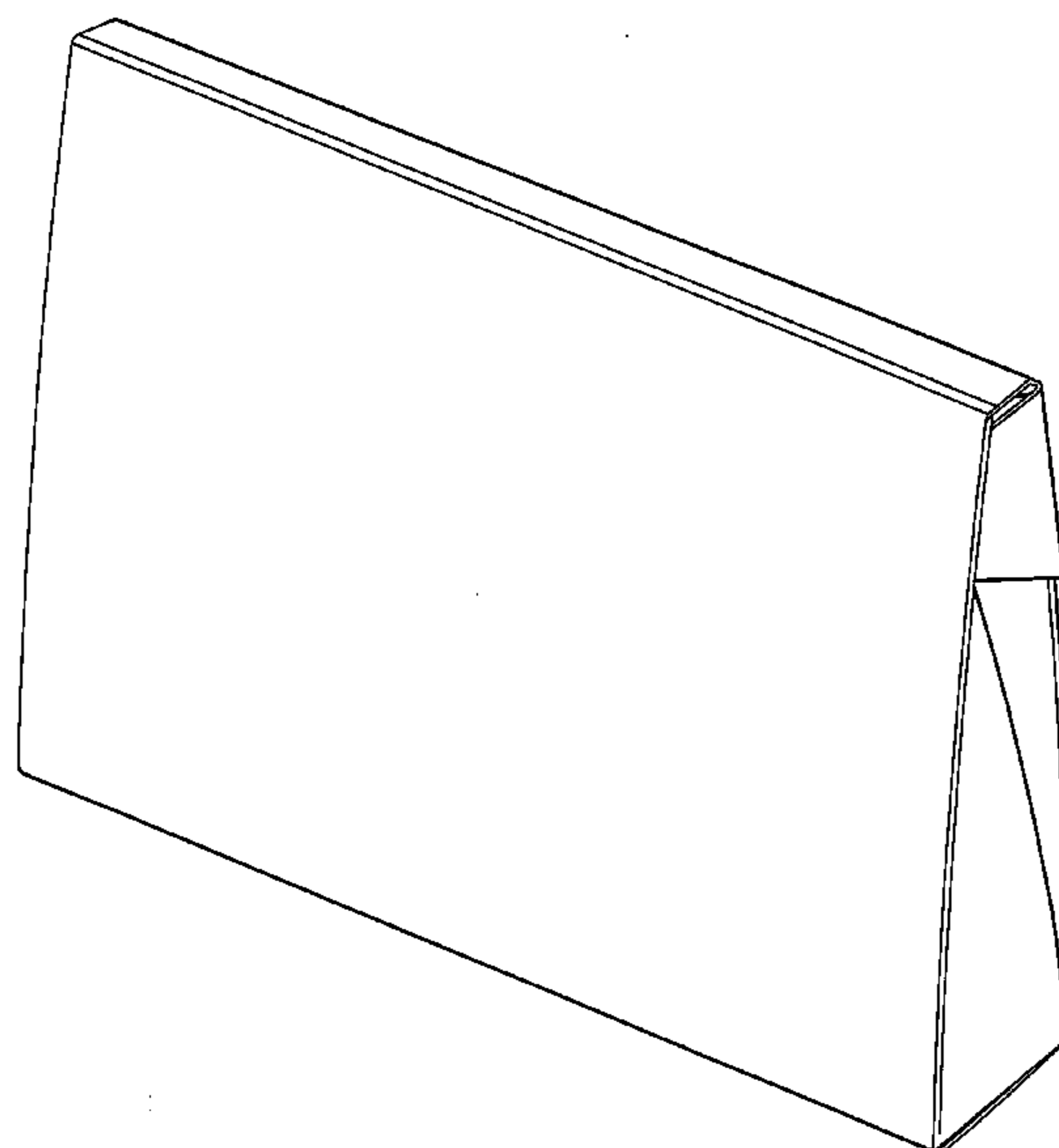
FIG. 5 is a left side elevation view thereof, the other side being
mirror-like;

FIG. 6 is a plan view thereof, taken from above; and,

FIG. 7 is a plan view thereof, taken from below.

The broken lines shown in FIGS. 4 and 7 depict environmen-
tal structure only and form no part of the claimed design.

1 Claim, 6 Drawing Sheets



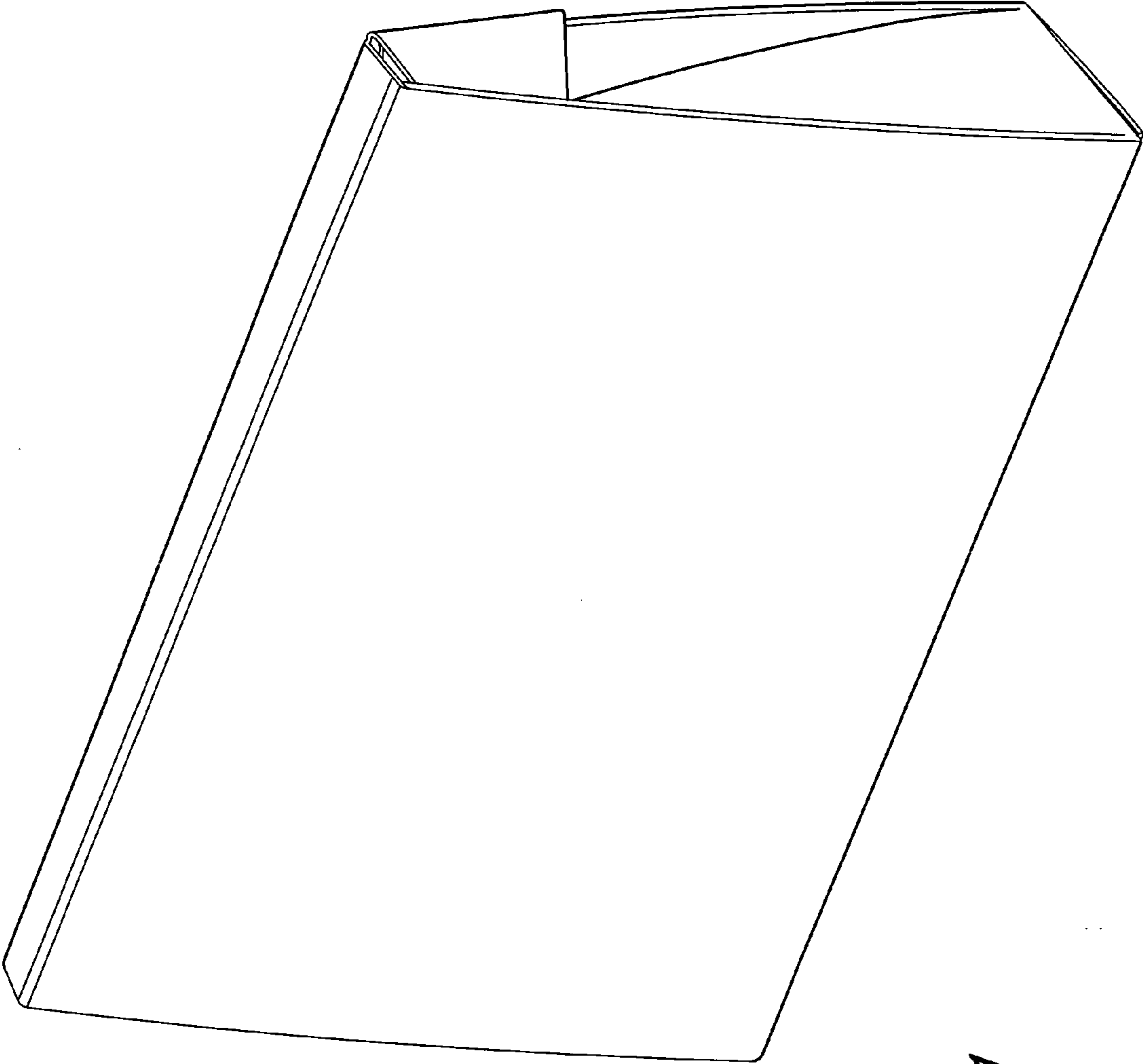
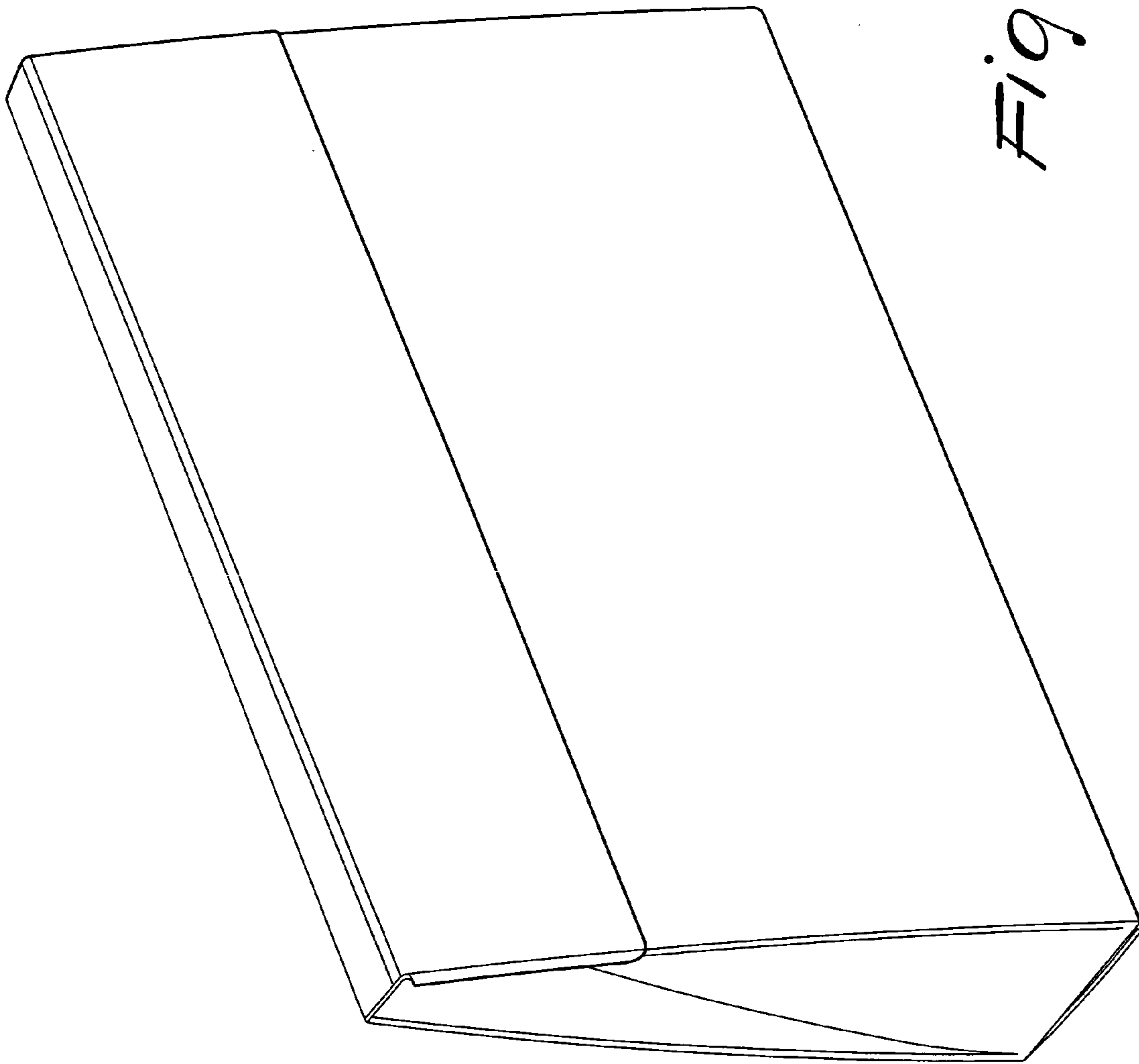


Fig. 1



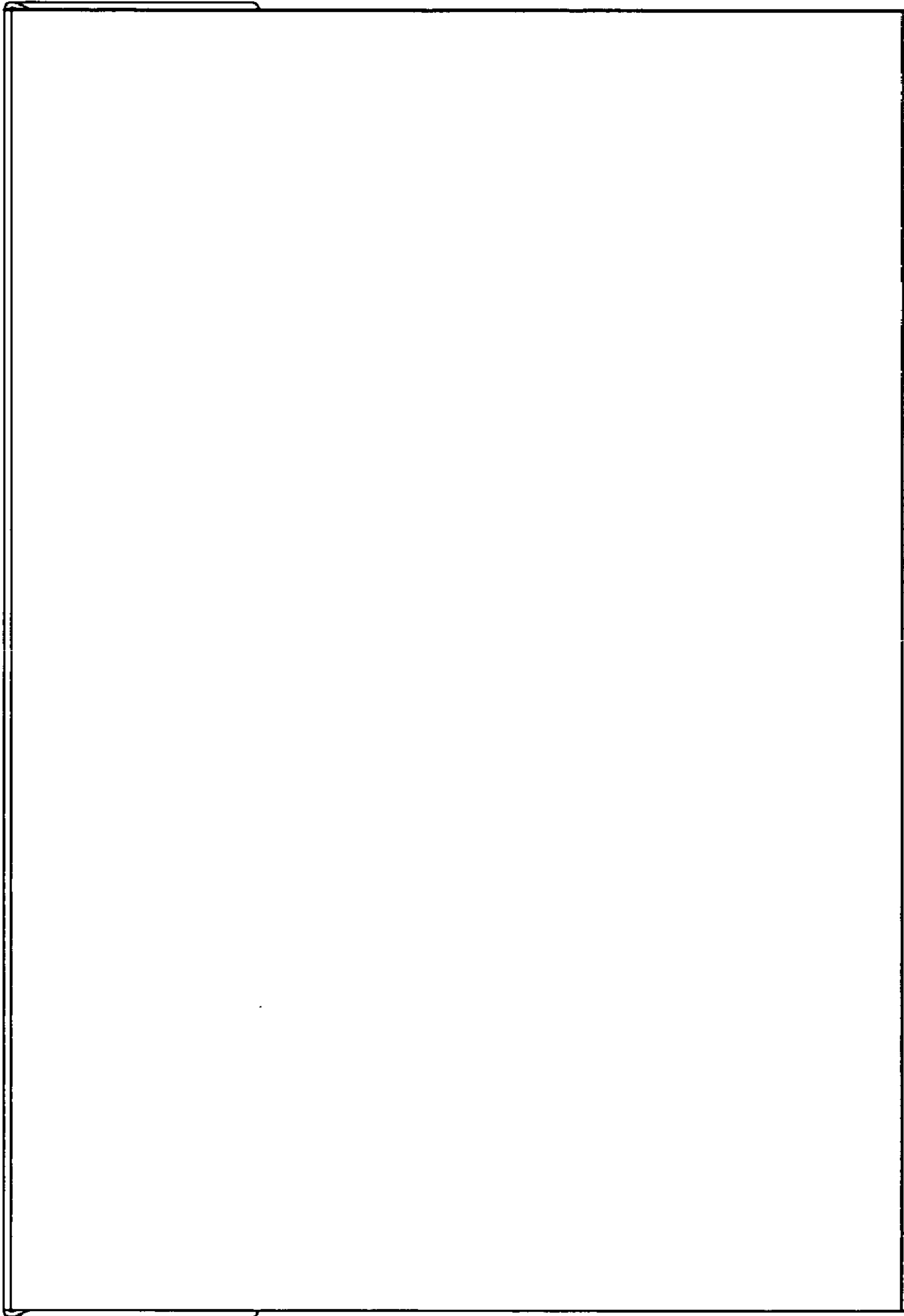


Fig. 3

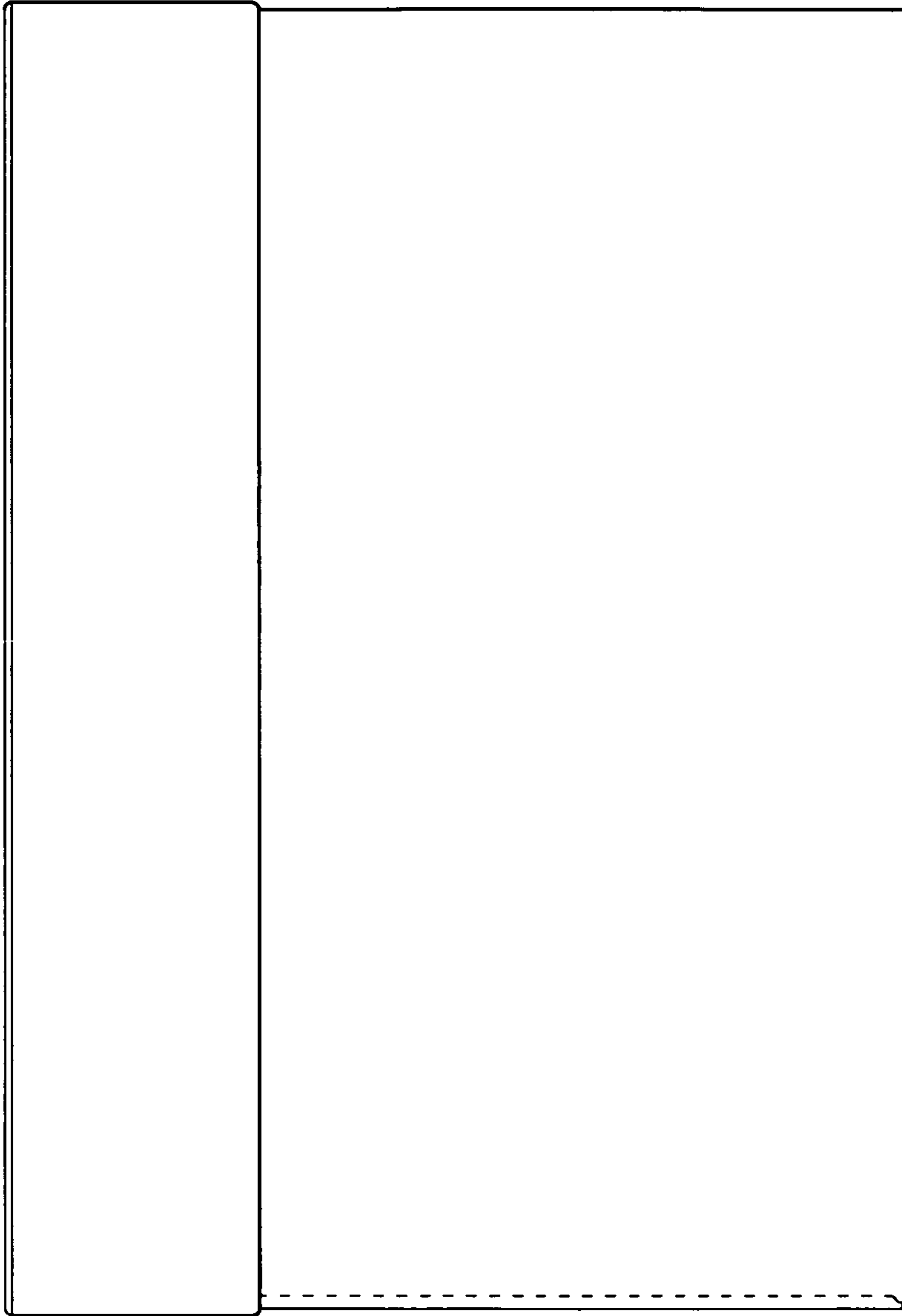


Fig. 4

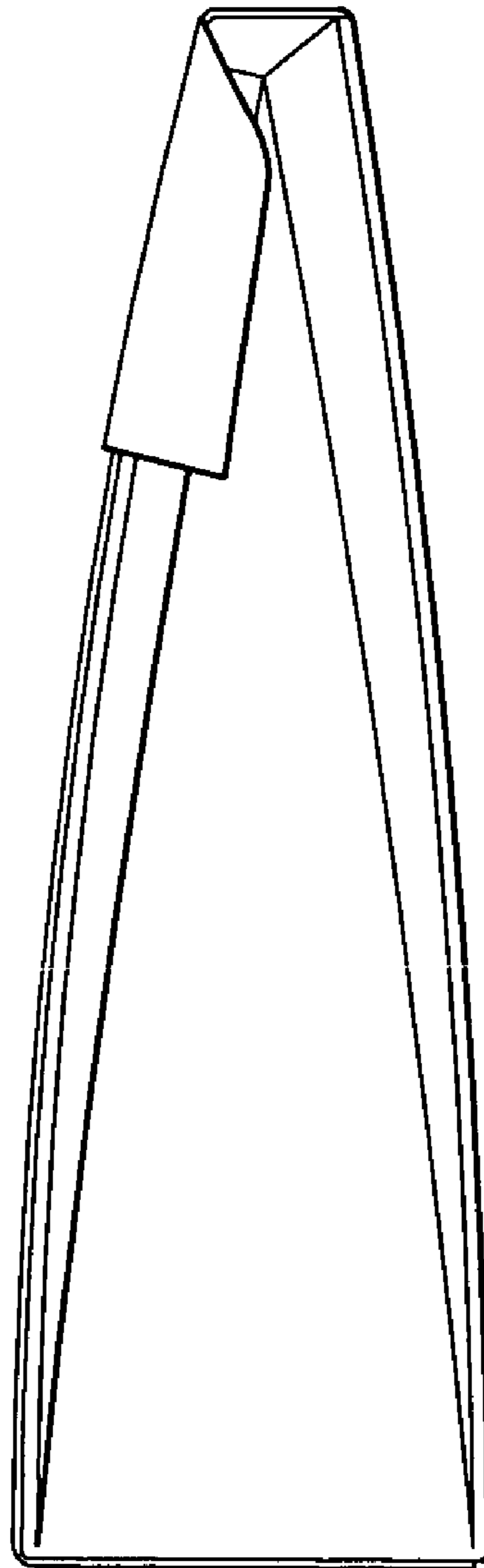


Fig. 5

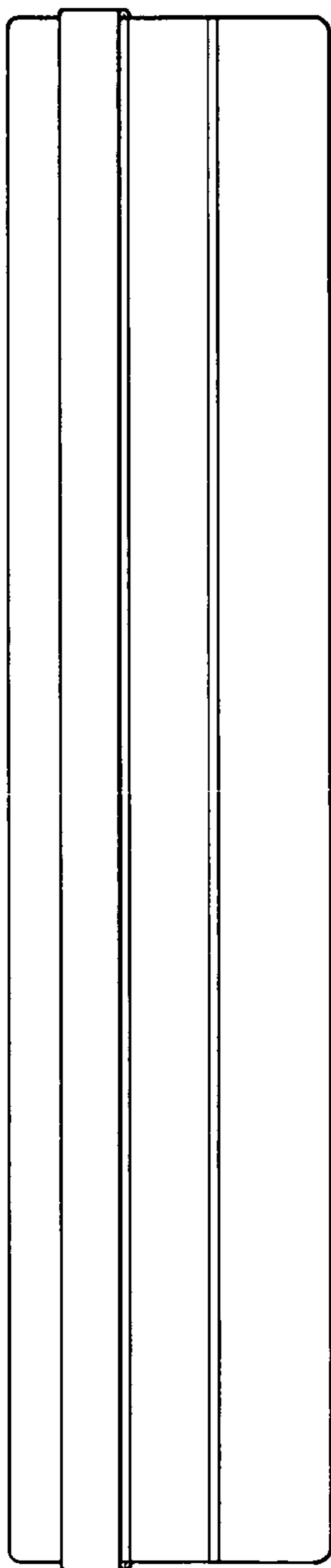


Fig. 6

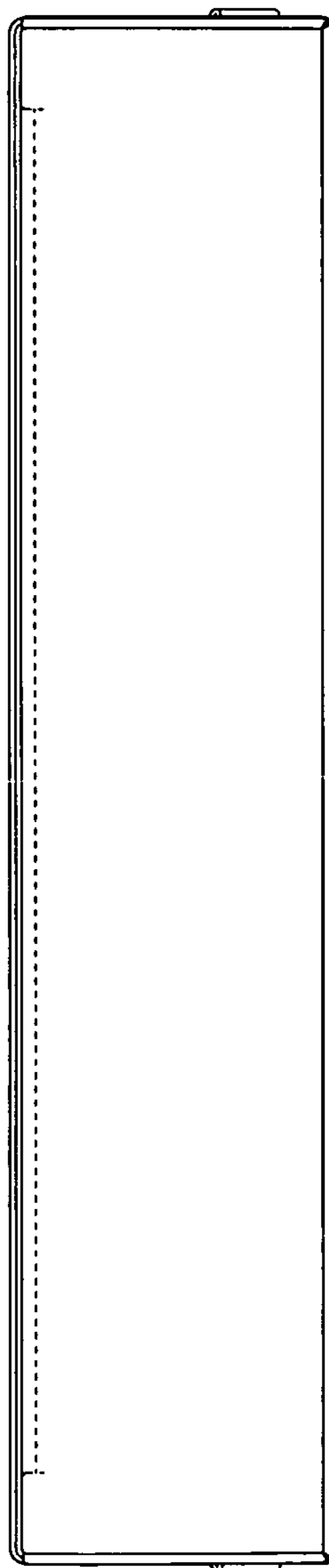


Fig. 7