



US00D630091S

(12) **United States Design Patent**  
**Schick**

(10) **Patent No.:** **US D630,091 S**

(45) **Date of Patent:** **\*\* Jan. 4, 2011**

(54) **CONTAINER**

(75) Inventor: **Werner Schick**, Neuenkirchen (DE)

(73) Assignee: **Peoppelmann Holding GmbH & Co. KG**, Lohne (DE)

(\*\*) Term: **14 Years**

(21) Appl. No.: **29/342,432**

(22) Filed: **Aug. 25, 2009**

(30) **Foreign Application Priority Data**

Jul. 28, 2009 (EP) ..... 001 155 600

(51) **LOC (9) Cl.** ..... **09-03**

(52) **U.S. Cl.** ..... **D9/430**

(58) **Field of Classification Search** ..... D9/414,  
D9/419, 424, 425, 430, 431, 432, 435; D7/601-603,  
D7/605, 629; 220/23.4, 23.6, 266, 281, 315,  
220/318, 659, 696, 752, 760, 790, 793; 229/105,  
229/117.09, 117.26, 189, 406; 206/508  
See application file for complete search history.

(56) **References Cited**

**U.S. PATENT DOCUMENTS**

4,819,824 A \* 4/1989 Longbottom et al. .... 220/266  
D343,795 S \* 2/1994 Verchere ..... D9/425  
D374,155 S \* 10/1996 Feer et al. .... D7/602  
D416,797 S \* 11/1999 Rabe et al. .... D9/431

D496,560 S \* 9/2004 Lerner ..... D7/629  
D512,278 S \* 12/2005 Schultz et al. .... D7/629  
D557,569 S \* 12/2007 Stamper et al. .... D7/629  
D614,949 S \* 5/2010 Schmidt ..... D9/424

\* cited by examiner

*Primary Examiner*—Daniel D Bui

*Assistant Examiner*—Thomas J Johannes

(74) *Attorney, Agent, or Firm*—Porter, Wright, Morris & Arthur, LLP

(57) **CLAIM**

The ornamental design for a container, as shown and described.

**DESCRIPTION**

FIG. 1 is a perspective view of a container according to my new design;

FIG. 2 is another perspective view thereof;

FIG. 3 is another perspective view thereof;

FIG. 4 is a top plan view thereof;

FIG. 5 is a front elevational view thereof;

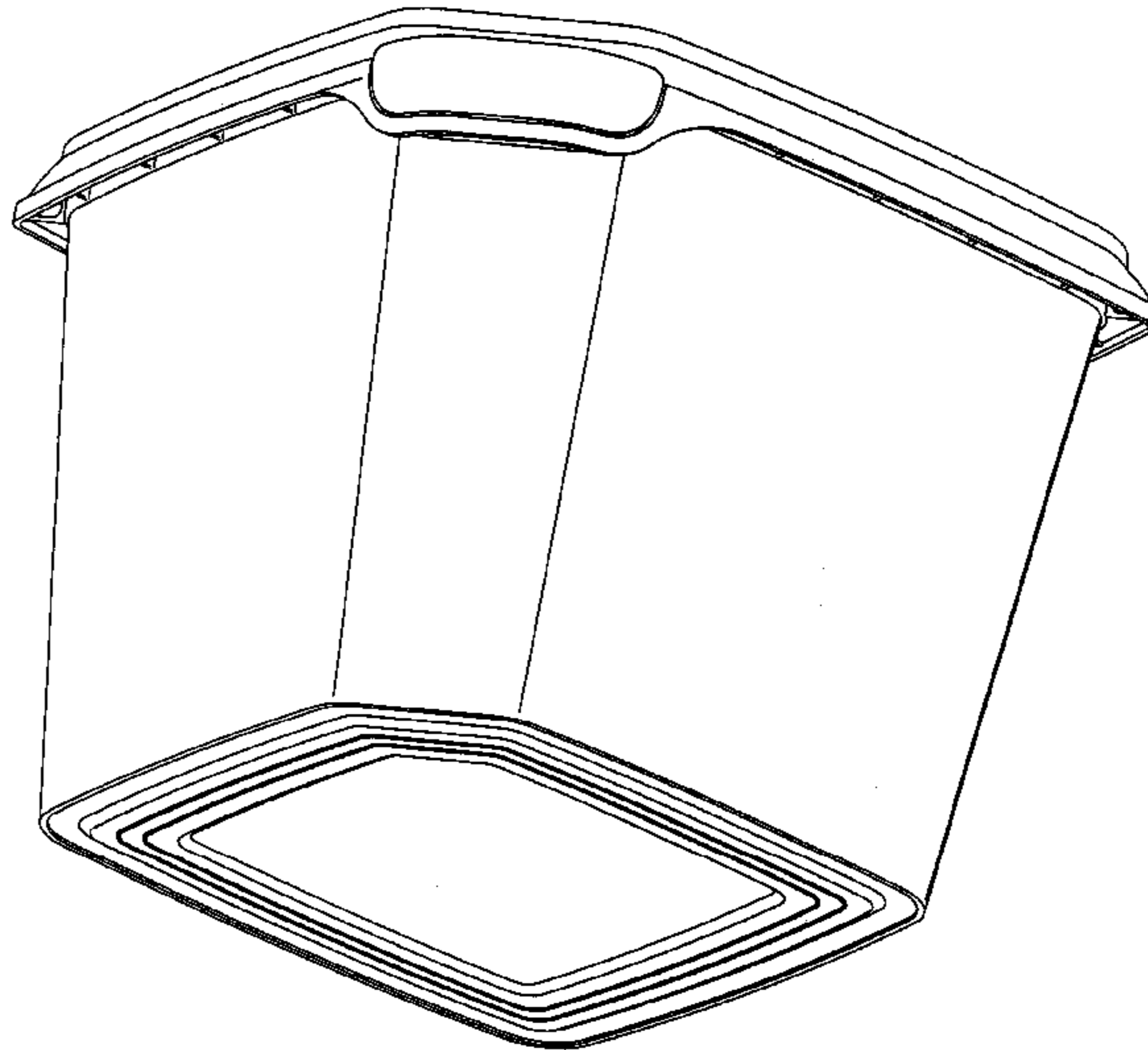
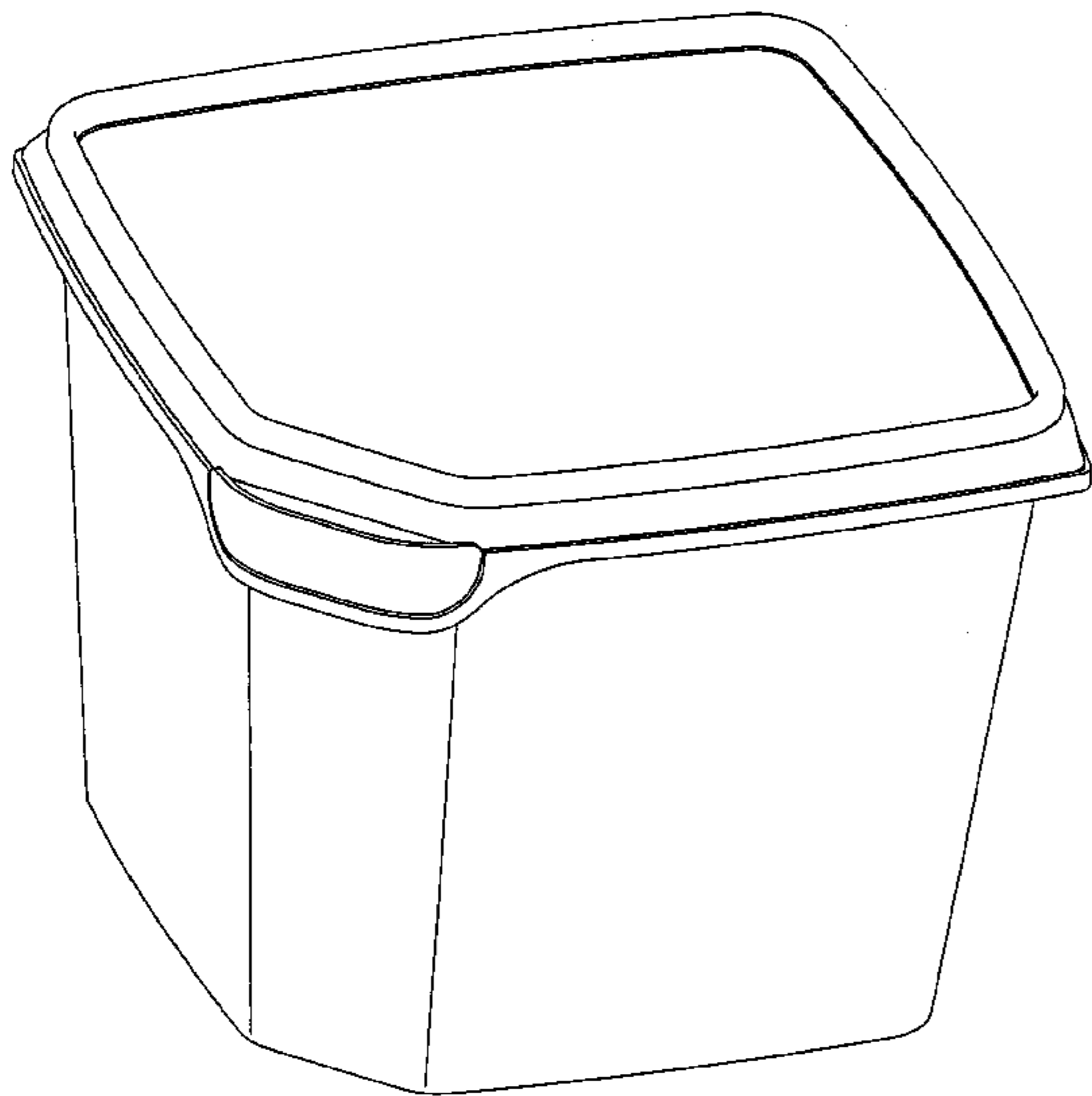
FIG. 6 is a right side elevational view thereof;

FIG. 7 is a left side elevational view thereof; and

FIG. 8 is a rear elevational view thereof; and,

FIG. 9 is a bottom plan view thereof.

**1 Claim, 9 Drawing Sheets**



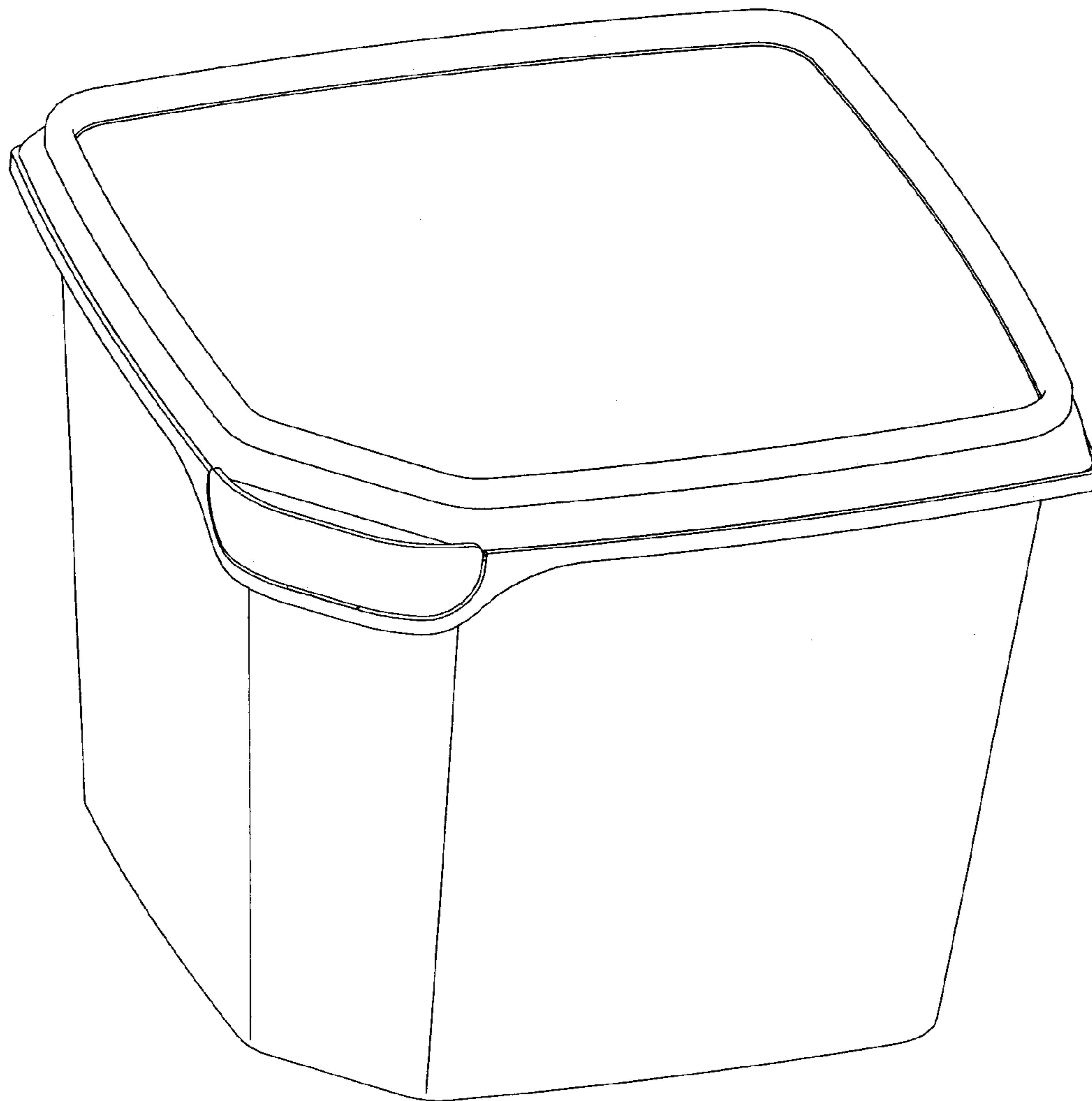


FIG. 1

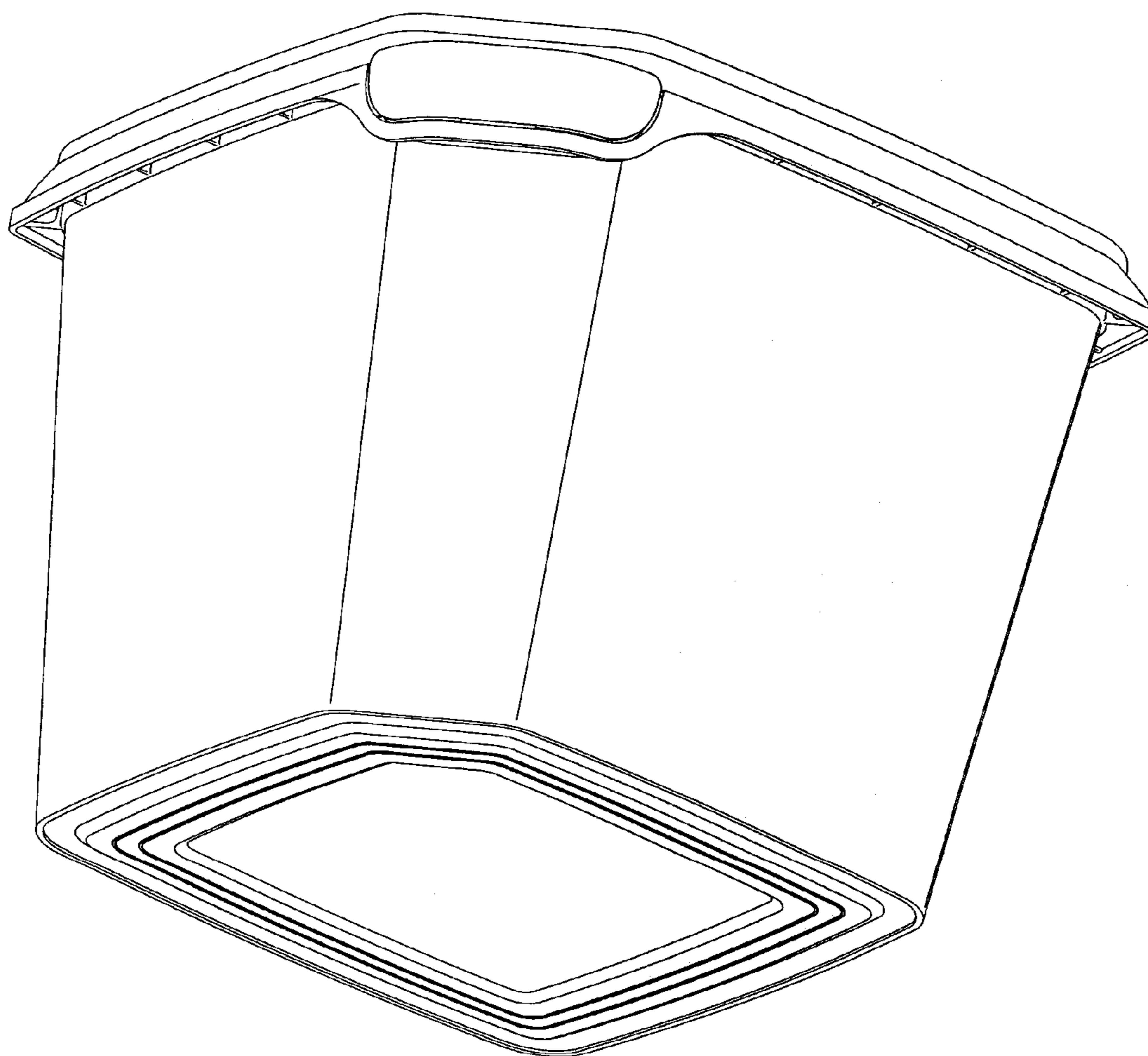


FIG. 2

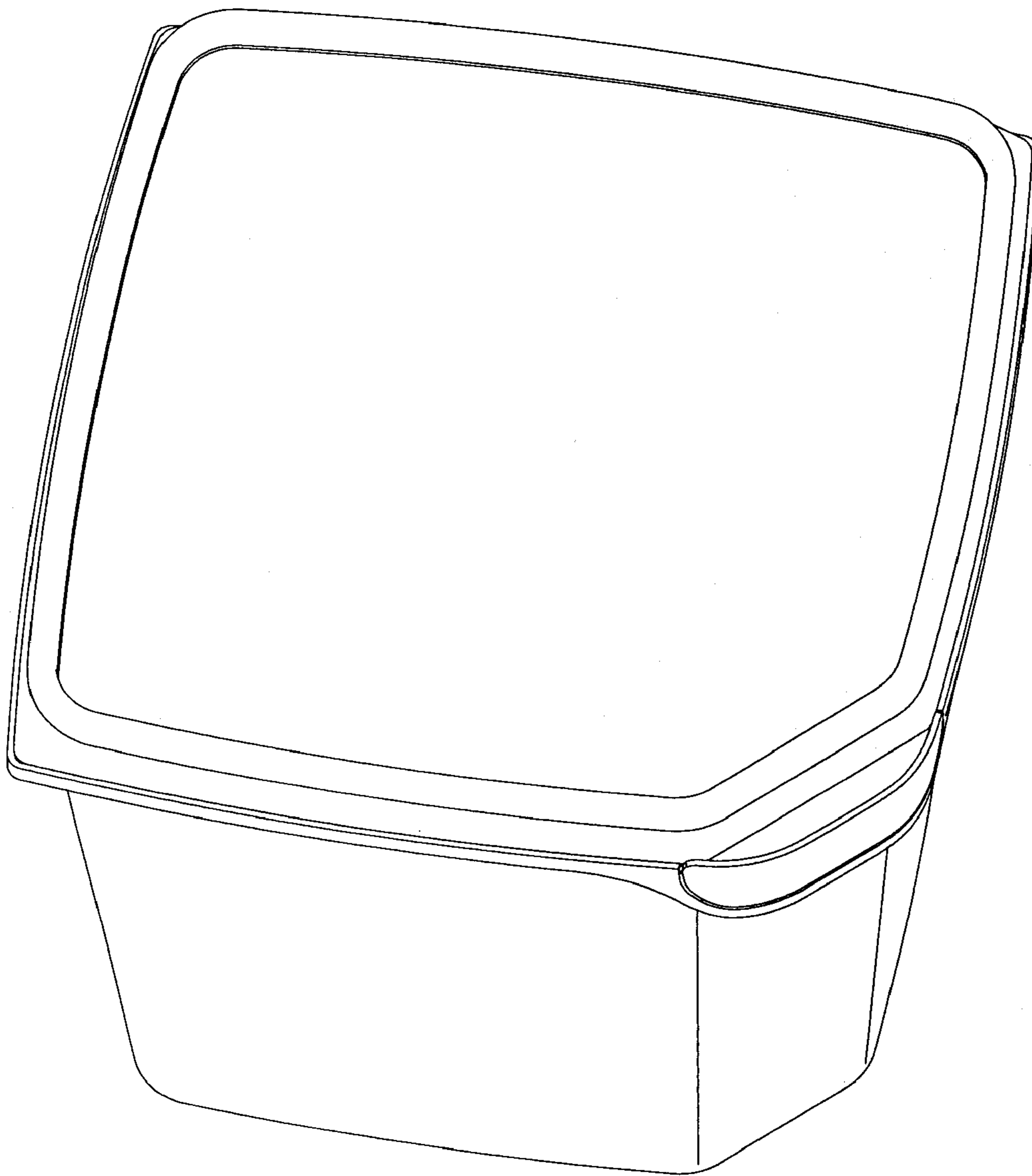


FIG. 3

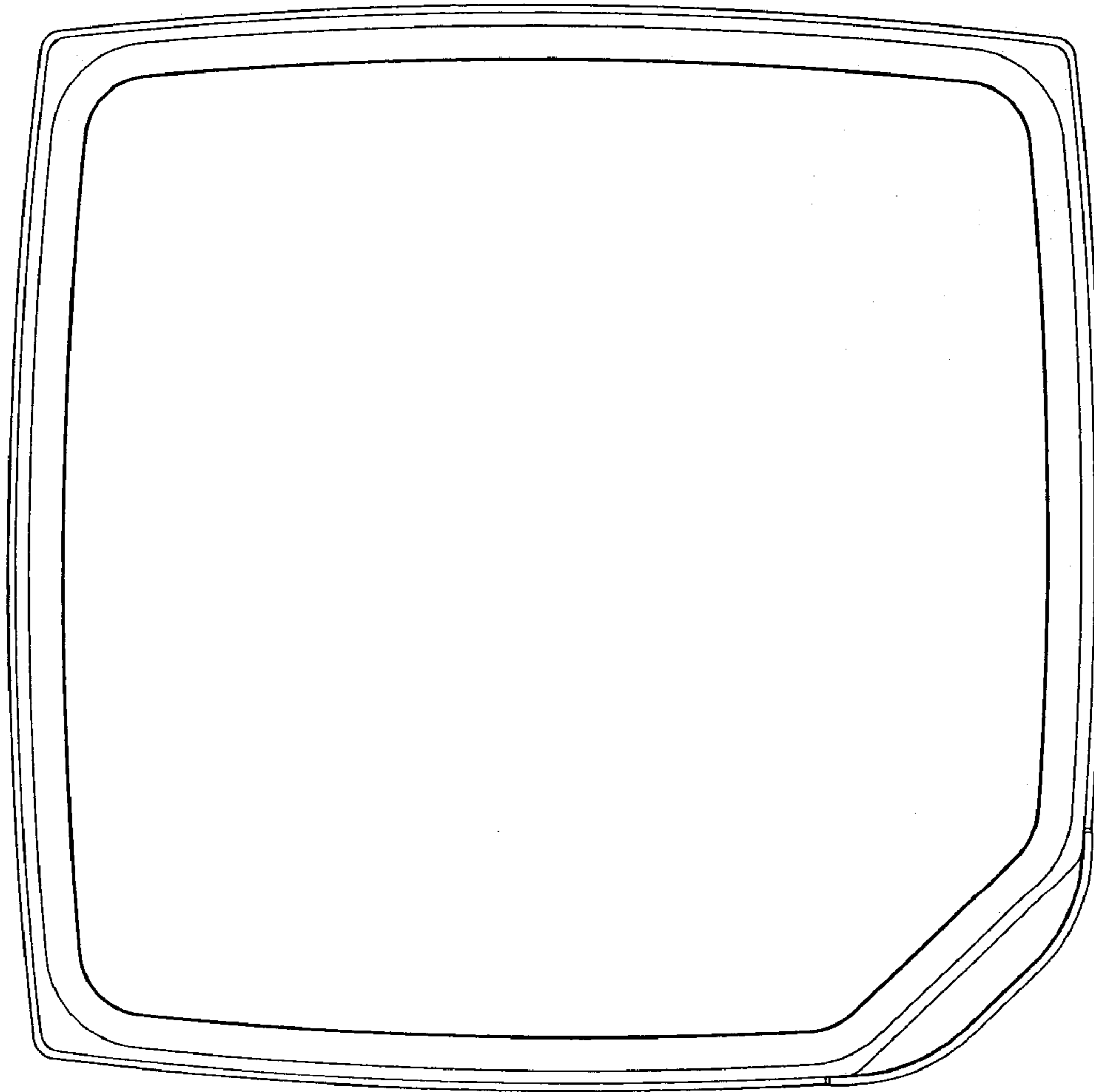


FIG. 4

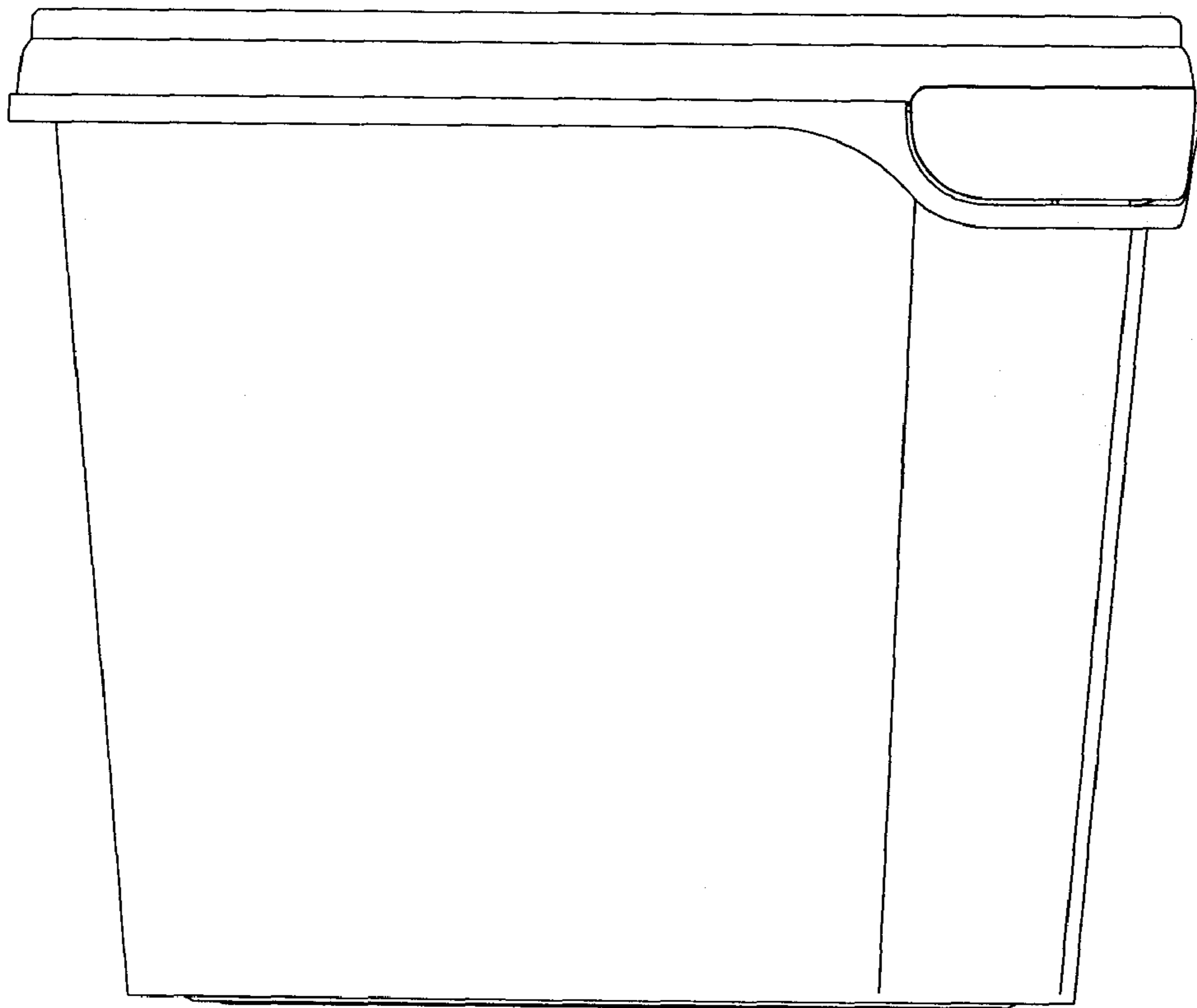


FIG. 5

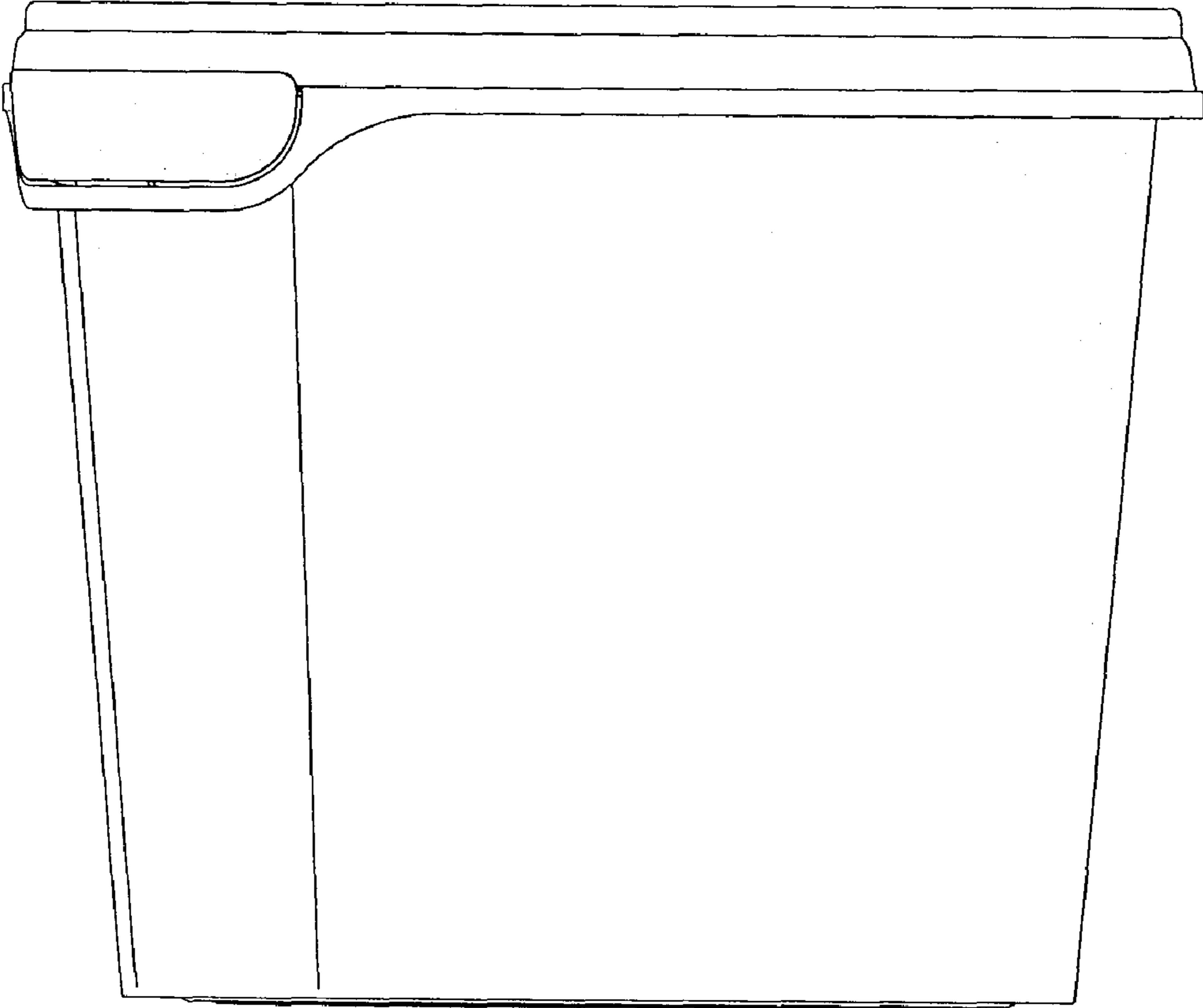


FIG. 6

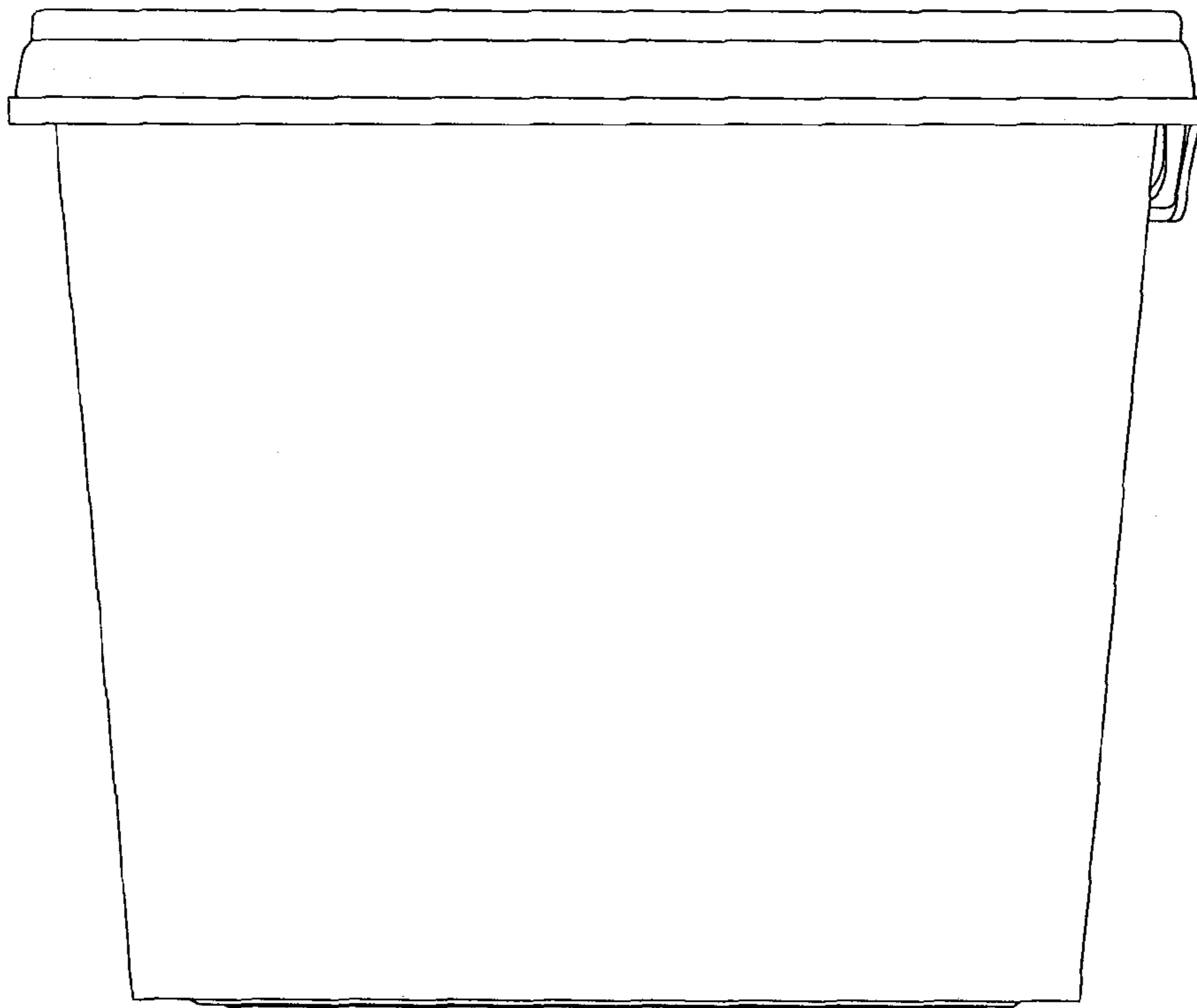


FIG. 7



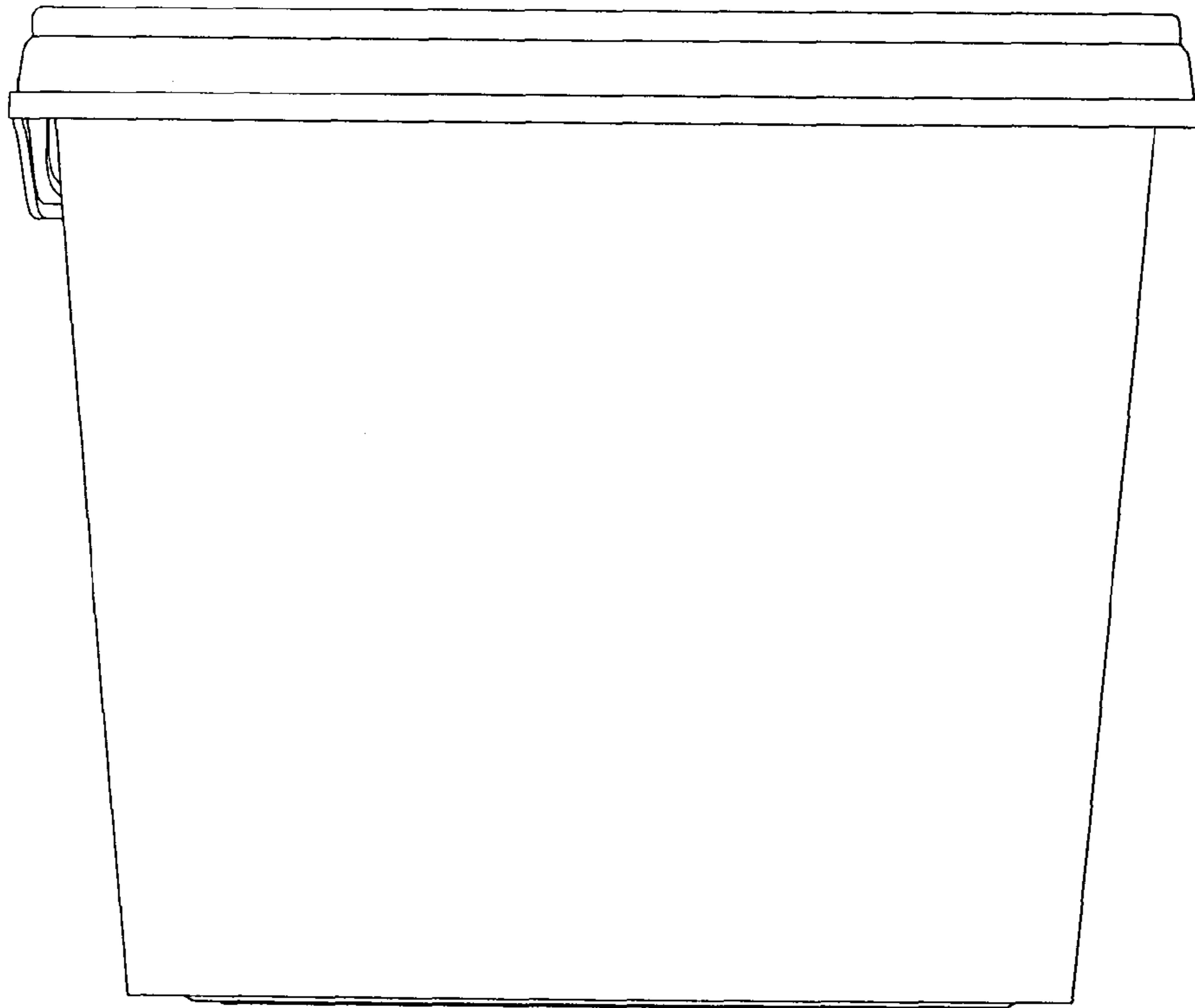


FIG. 8

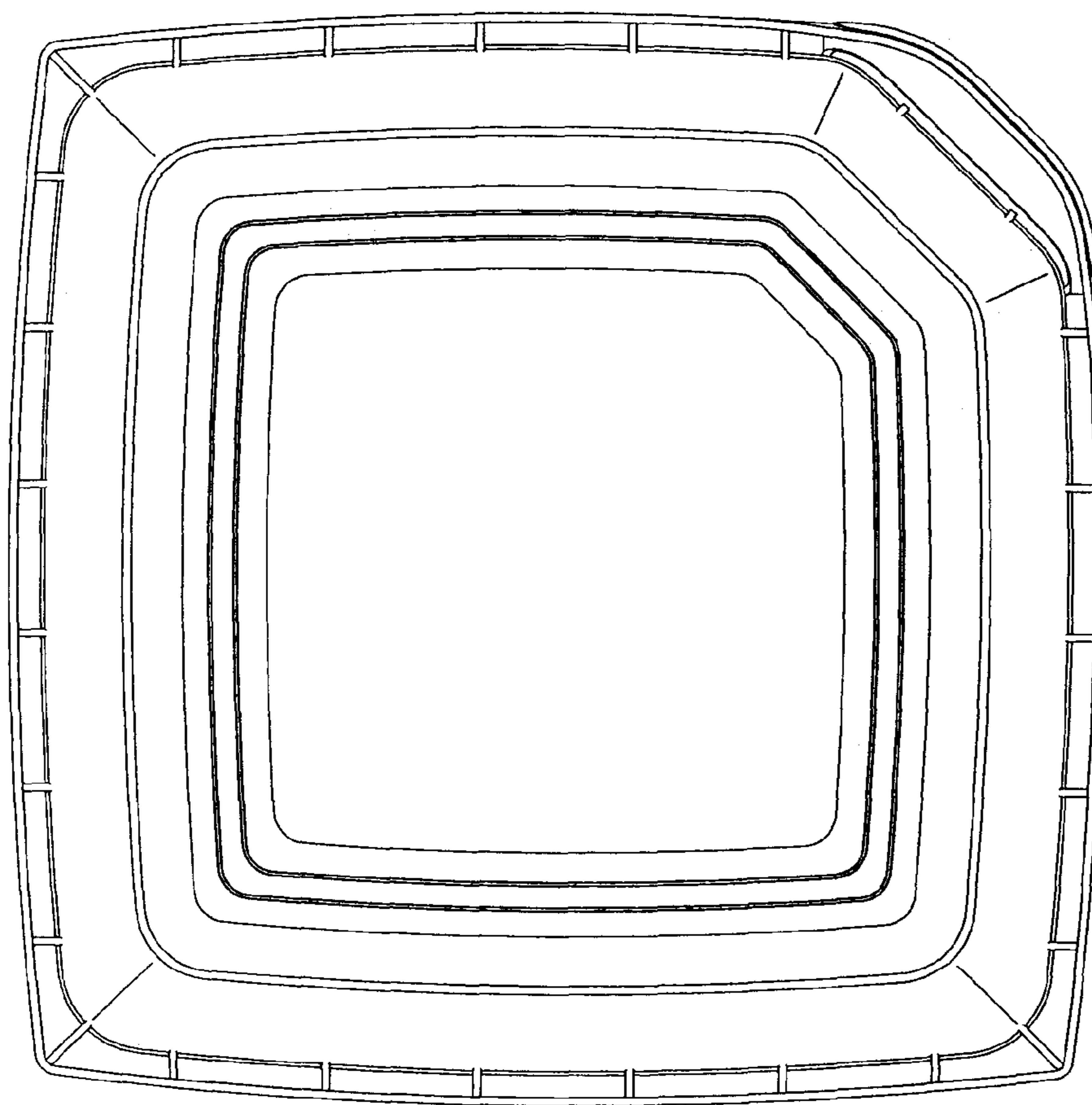


FIG. 9

UNITED STATES PATENT AND TRADEMARK OFFICE  
**CERTIFICATE OF CORRECTION**

PATENT NO. : D630,091 S  
APPLICATION NO. : 29/342432  
DATED : January 4, 2011  
INVENTOR(S) : Werner Schick

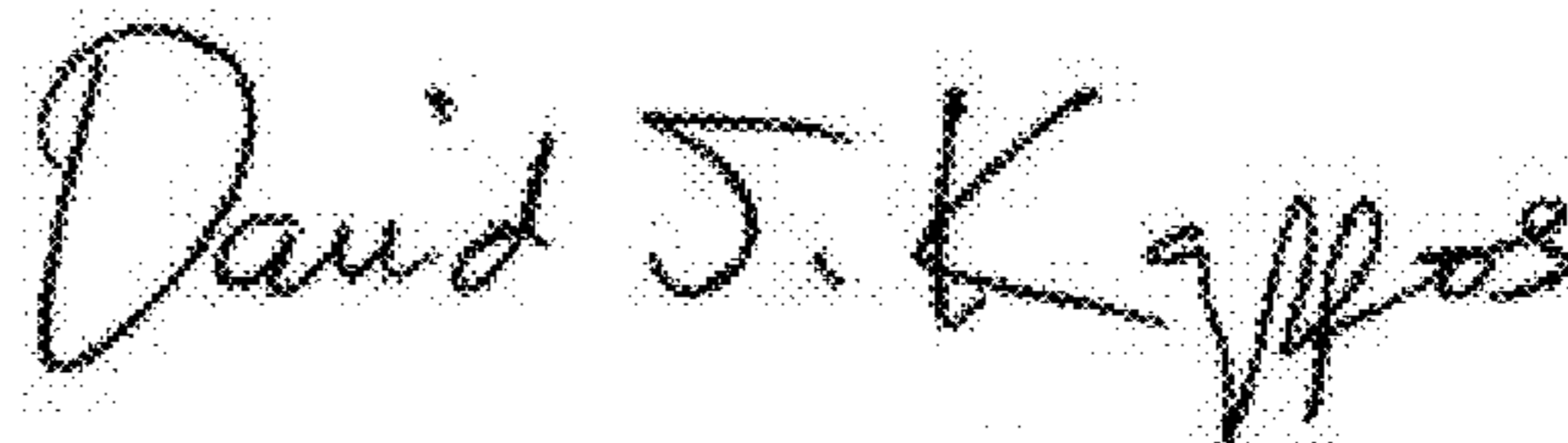
Page 1 of 1

It is certified that error appears in the above-identified patent and that said Letters Patent is hereby corrected as shown below:

ON THE TITLE PAGE:

Item (73) the Assignee on the issued patent is listed as Peoppelmann Holding GmbH & Co. KG, Lohne (DE). The correct spelling of the assignee name is Poeppelmann Holding GmbH & Co. KG, Lohne (DE).

Signed and Sealed this  
Fifteenth Day of February, 2011

A handwritten signature in black ink that reads "David J. Kappos". The signature is written in a cursive style with a large initial "D".

David J. Kappos  
*Director of the United States Patent and Trademark Office*