



US00D630090S

(12) **United States Design Patent**  
**Ishii et al.**

(10) **Patent No.:** **US D630,090 S**  
(45) **Date of Patent:** **\*\* Jan. 4, 2011**

(54) **CORD LOCK**

D560,478 S \* 1/2008 Yoshie et al. .... D8/383  
D560,479 S \* 1/2008 Yoshie et al. .... D8/383  
D615,391 S \* 5/2010 Kawaguchi .... D8/383

(75) Inventors: **Taiyo Ishii**, Yokohama (JP); **Koji Yokota**, Tokyo (JP)

\* cited by examiner

(73) Assignees: **Nifco Inc.**, Yokohama-shi, Kanagawa-ken (JP); **Morito Co., Ltd.**, Osaka-shi, Osaka (JP)

*Primary Examiner*—Holly H Baynham  
*Assistant Examiner*—Sheryl Lane  
(74) *Attorney, Agent, or Firm*—Manabu Kanesaka

(\*\*) Term: **14 Years**

(57) **CLAIM**

(21) Appl. No.: **29/347,862**

The ornamental design for a cord lock, as shown and described.

(22) Filed: **Jun. 25, 2010**

**DESCRIPTION**

(30) **Foreign Application Priority Data**

Dec. 25, 2009 (JP) ..... 2009-030174

FIG. 1 is a perspective view of a cord lock showing our new design;

(51) **LOC (9) Cl.** ..... **08-08**

FIG. 2 is a front view thereof;

(52) **U.S. Cl.** ..... **D8/383**

FIG. 3 is a rear view thereof;

(58) **Field of Classification Search** ..... D8/383, D8/356; 24/115 G, 112, 115 R, 136 R, 115 M  
See application file for complete search history.

FIG. 4 is a plan view thereof;

FIG. 5 is a bottom view thereof;

FIG. 6 is a left side view thereof;

FIG. 7 is a right side view thereof; and,

FIG. 8 is a perspective view of the male member of the cord lock shown separated for ease of illustration.

(56) **References Cited**

**U.S. PATENT DOCUMENTS**

D465,408 S \* 11/2002 Man et al. .... D8/395  
D551,067 S \* 9/2007 Kawamura ..... D8/383  
D560,477 S \* 1/2008 Yoshie et al. .... D8/383

**1 Claim, 5 Drawing Sheets**

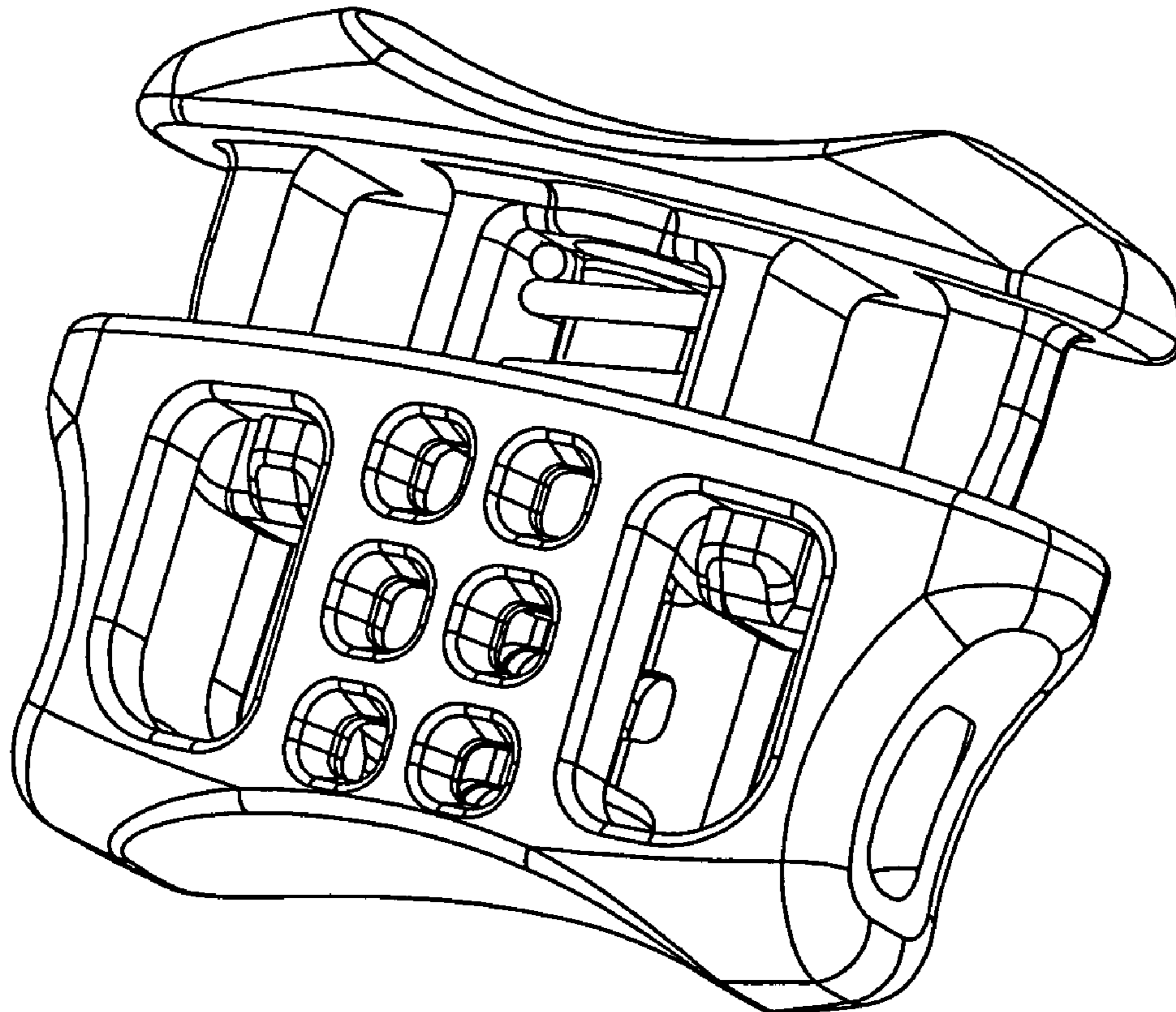


Fig. 1

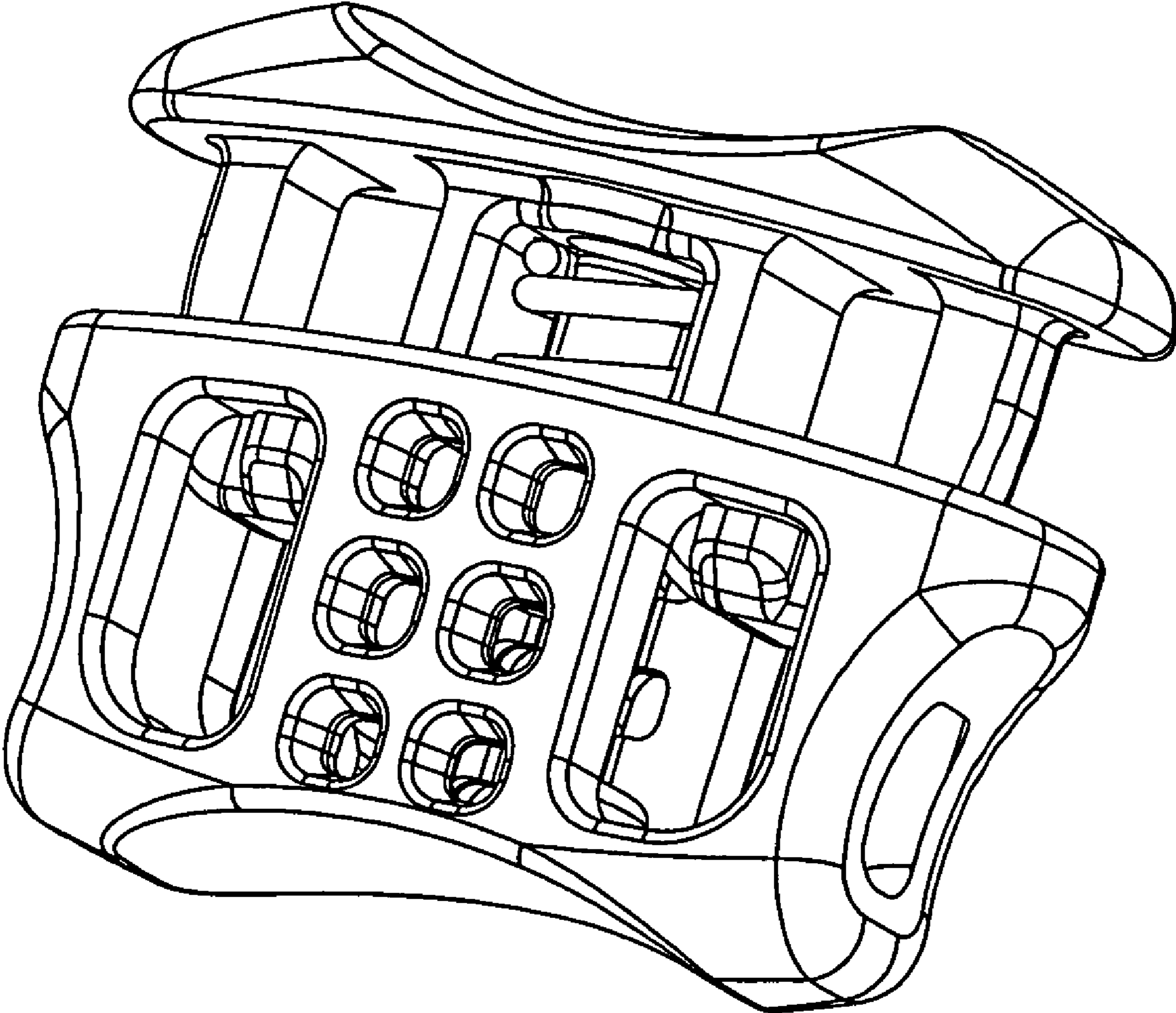


Fig. 2

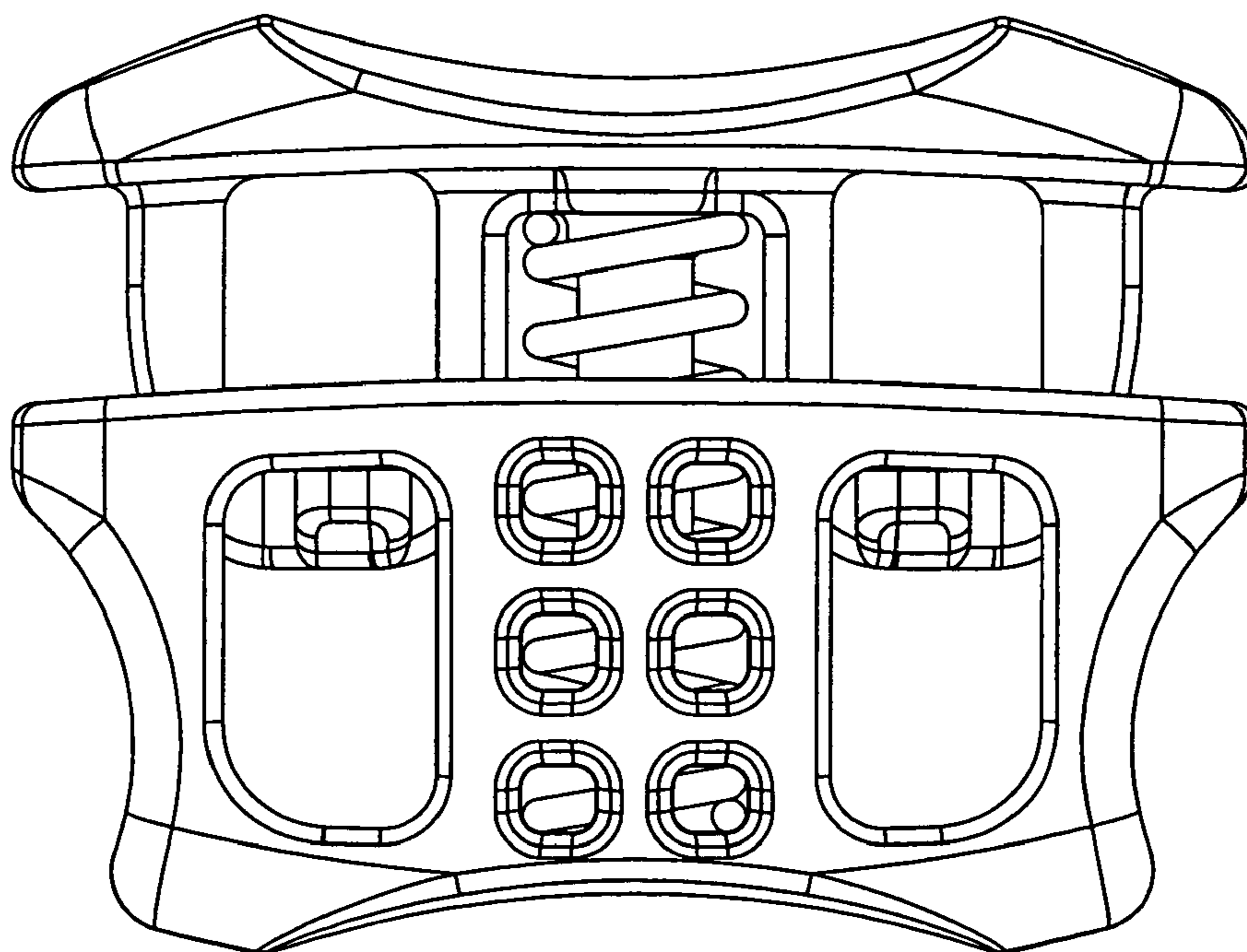


Fig. 3

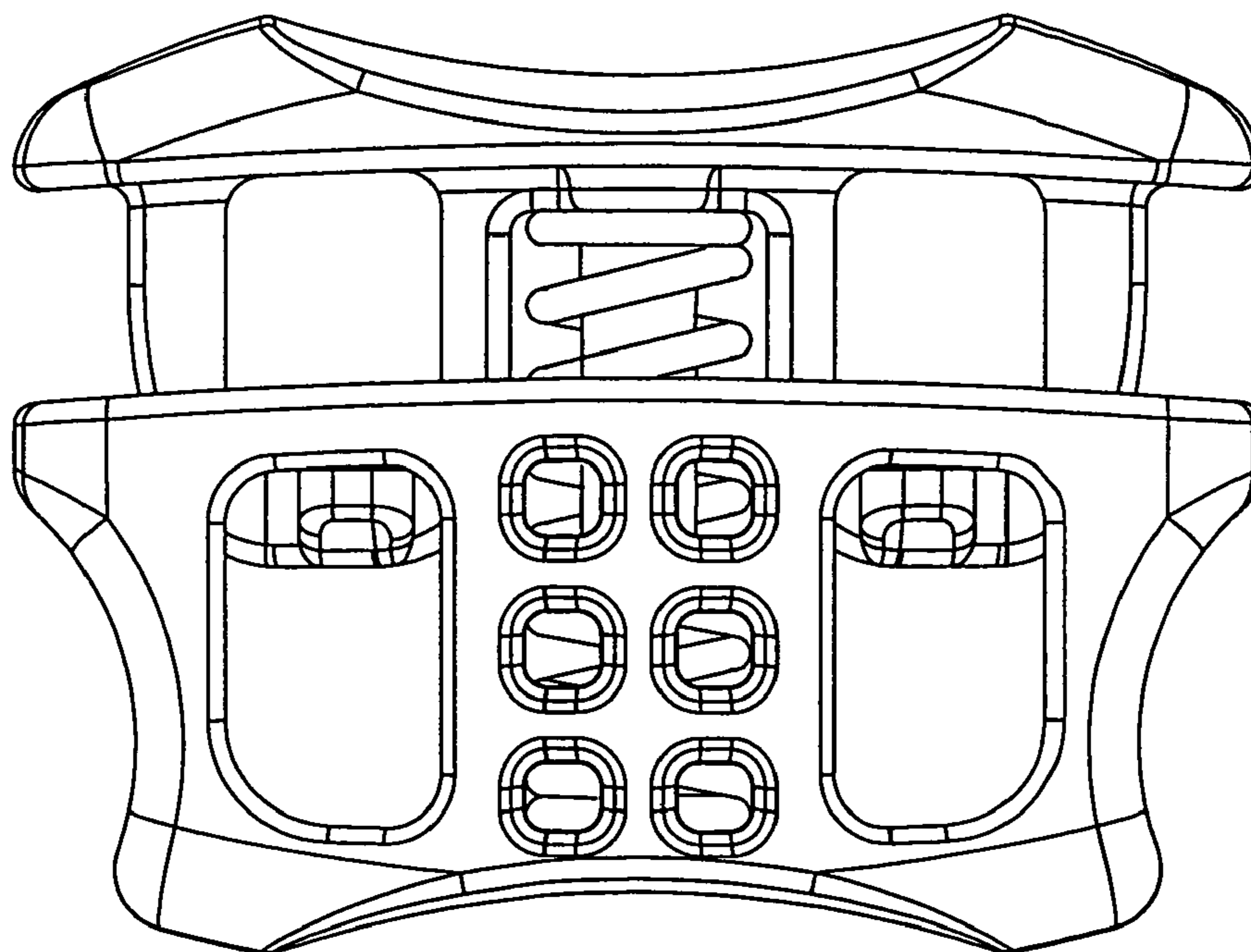


Fig. 4

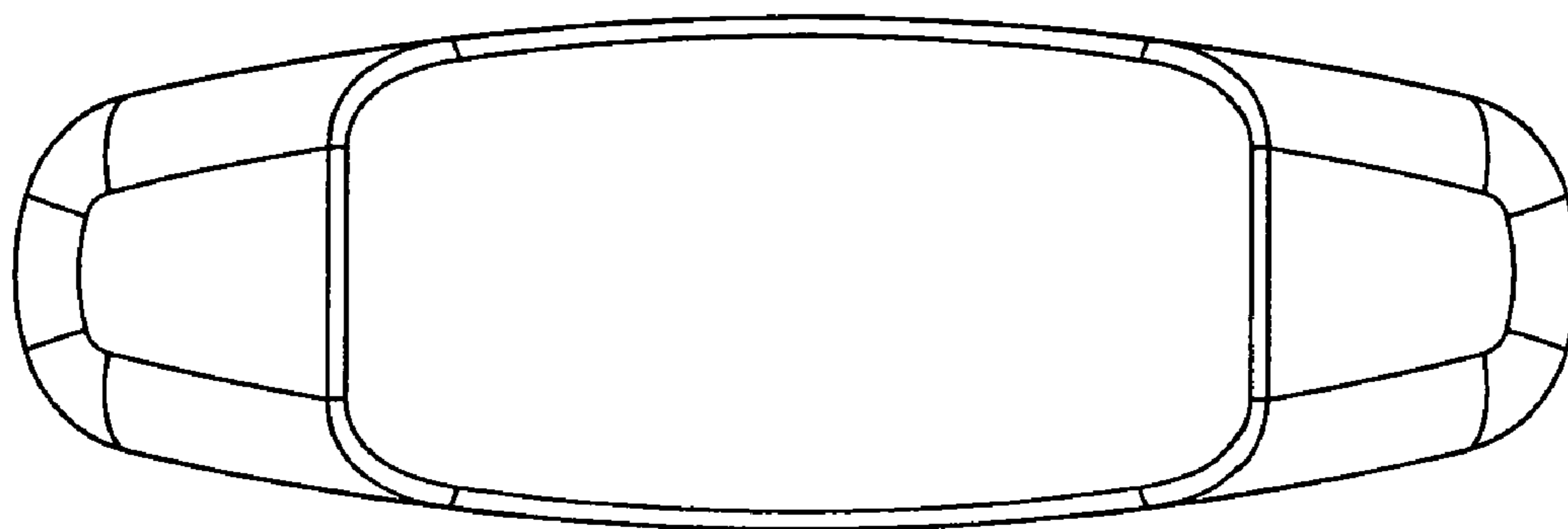


Fig. 5

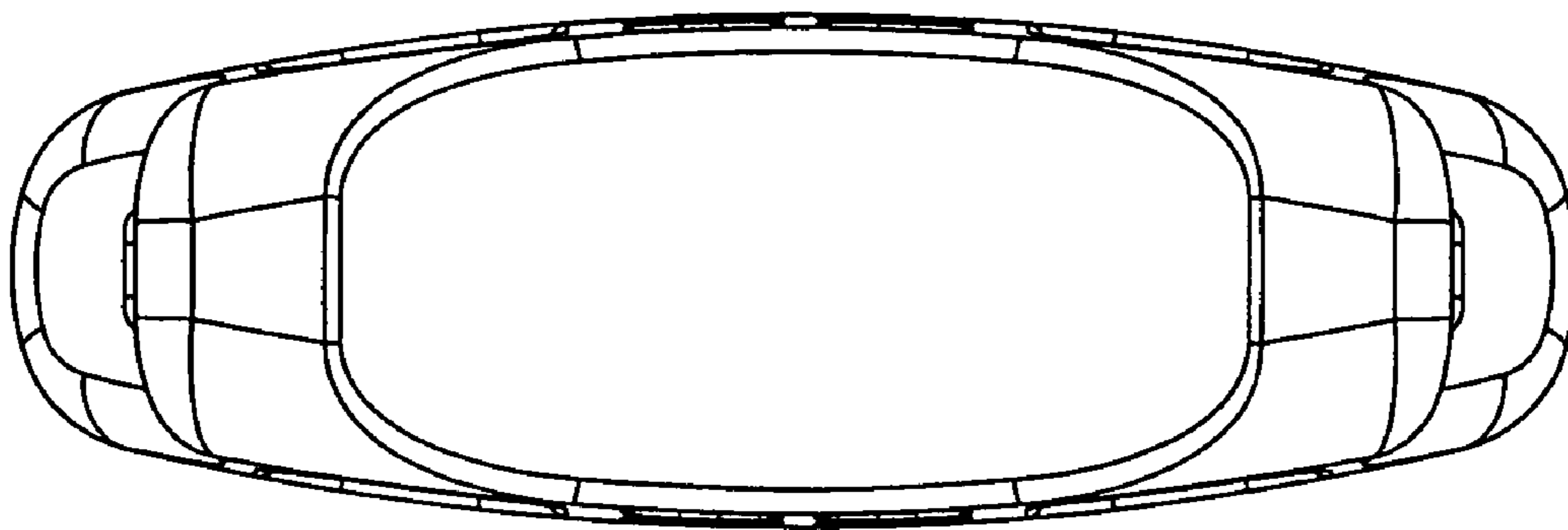


Fig. 6

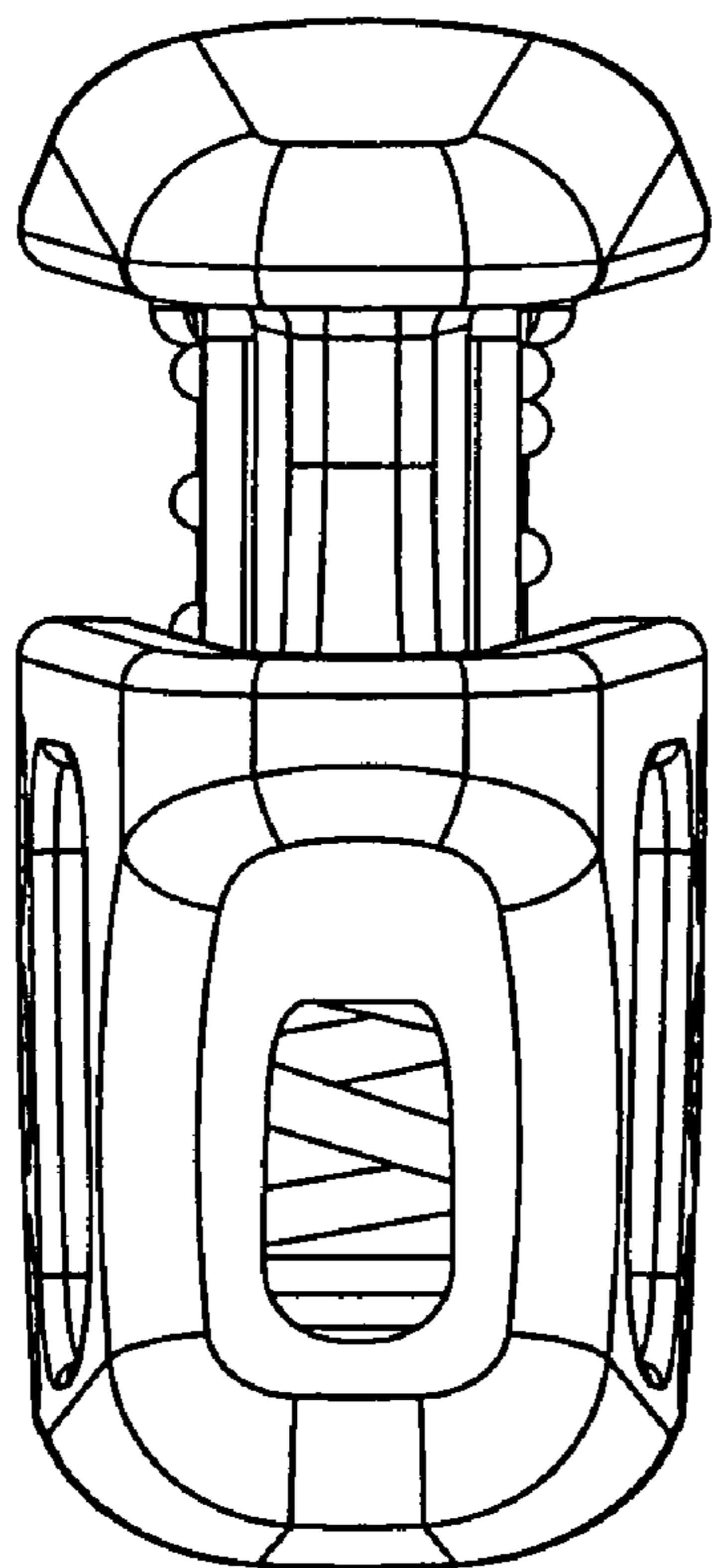


Fig. 7

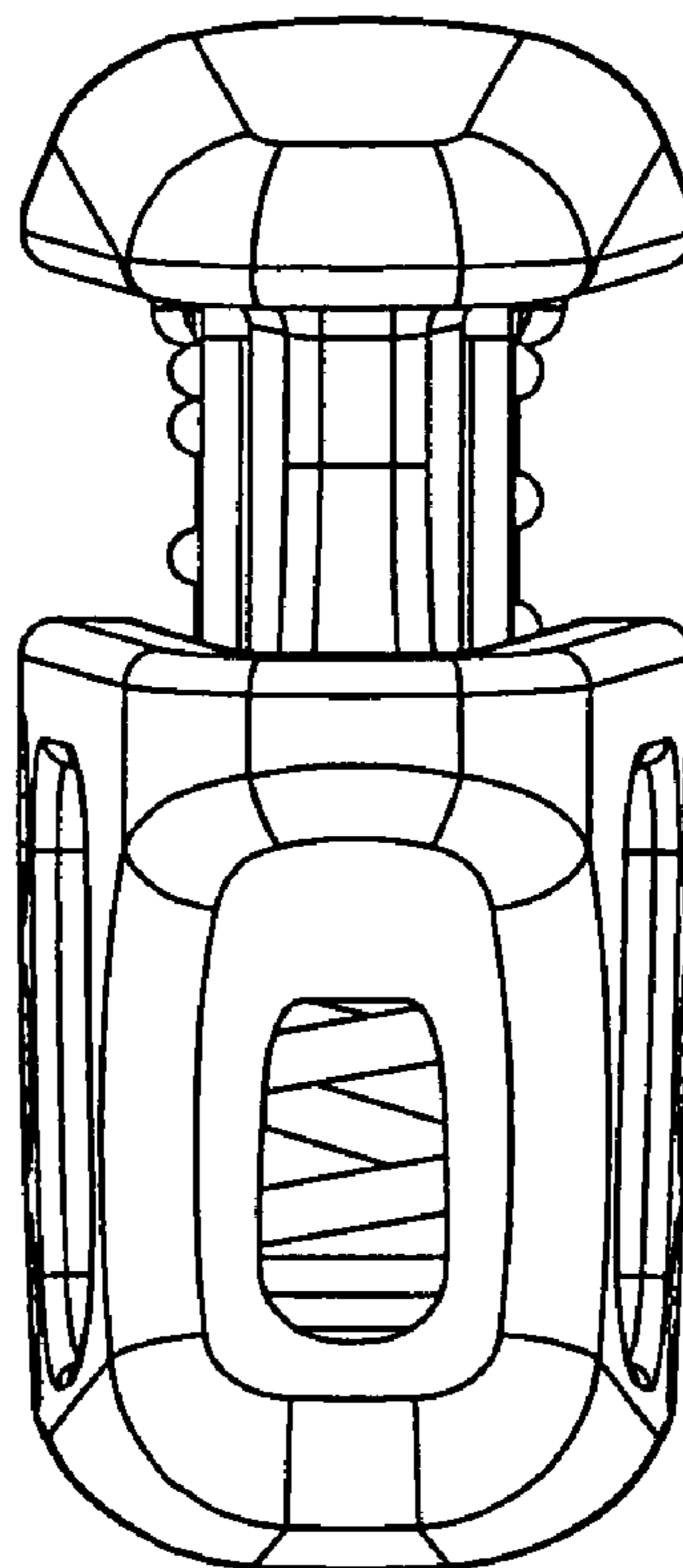


Fig. 8

