



US00D630089S

(12) **United States Design Patent**
Kim

(10) **Patent No.:** **US D630,089 S**
(45) **Date of Patent:** **** Jan. 4, 2011**

(54) **HOOK FOR A SHOWER CURTAIN, WINDOW TREATMENT, OR THE LIKE**

(75) Inventor: **Carolina Kim**, Brooklyn, NY (US)

(73) Assignee: **Ex-Cell Home Fashions, Inc.**, New York, NY (US)

(**) Term: **14 Years**

(21) Appl. No.: **29/365,037**

(22) Filed: **Jul. 1, 2010**

(51) **LOC (9) Cl.** **08-05**

(52) **U.S. Cl.** **D8/367**

(58) **Field of Classification Search** D8/367,
D8/372, 373, 349, 354, 370; D6/500, 323;
D20/43; 248/215, 339, 489; 16/87.2, 87.8

See application file for complete search history.

(56) **References Cited**

U.S. PATENT DOCUMENTS

D31,995 S *	12/1899	Alker	D8/370
913,261 A	2/1909	Clark		
1,020,776 A	3/1912	Parry et al.		
1,224,624 A	5/1917	Fjellman		
1,857,293 A	5/1932	Vroom		
2,320,003 A	5/1943	Madan		
D350,279 S *	9/1994	Tate	D8/373
D404,639 S *	1/1999	Samelson	D8/373
D439,144 S *	3/2001	Ho	D8/373
D441,584 S *	5/2001	Ho	D6/580
D442,074 S *	5/2001	Harvey	D8/368
6,270,048 B1 *	8/2001	Carlson	248/339
D456,696 S *	5/2002	Samelson	D8/367
D457,807 S *	5/2002	Vanderbilt	D8/368
D459,201 S *	6/2002	Michaelson	D8/372
6,530,120 B2 *	3/2003	Samelson	16/87.2
D489,249 S *	5/2004	Moore	D8/367
D495,591 S *	9/2004	Clucas	D8/367
D505,614 S	5/2005	Barrese		
D527,246 S *	8/2006	Clucas	D8/370

D545,180 S *	6/2007	Harwanko	D8/372
D560,924 S	2/2008	Walker		
D608,633 S *	1/2010	Elmerhaus	D23/293.1
D611,330 S *	3/2010	Barrese	D8/367
2006/0042002 A1	3/2006	Barrese		
2007/0050904 A1	3/2007	Harwanko		

OTHER PUBLICATIONS

“Ride Shower Rings (Set of 12)” [online] [retrieved May 17, 2010]. Retrieved from the Internet: <http://www.bedbathandbeyond.com/product.asp?ord_num=-1&SKU=14117768>. 1 page.
Ride Shower Rings, [online] [retrieved May 17, 2010]. Retrieved from the Internet: <http://images.bedbathandbeyond.com/assets/product_images/380/6634014117768P.jpg>. 1 page.

(Continued)

Primary Examiner—Cynthia Underwood
(74) *Attorney, Agent, or Firm*—Alston & Bird LLP

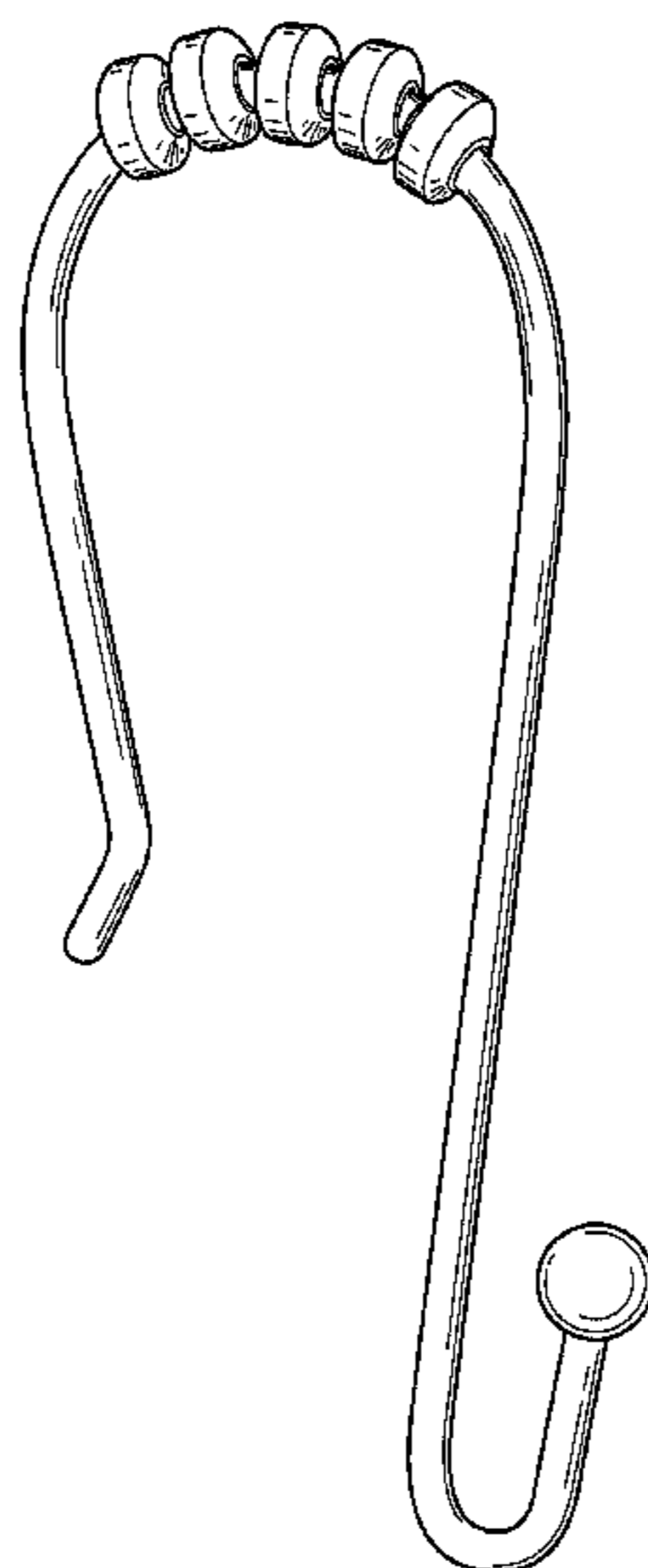
(57) **CLAIM**

The ornamental design for a hook for a shower curtain, window treatment, or the like, as shown and described.

DESCRIPTION

FIG. 1 is a perspective view of a hook for a shower curtain, window treatment, or the like showing my new design;
FIG. 2 is a right side elevation view thereof, the left side elevation view being a mirror image;
FIG. 3 is a rear elevation view thereof;
FIG. 4 is a front elevation view thereof;
FIG. 5 is a top plan view thereof; and,
FIG. 6 is a bottom plan view thereof.

1 Claim, 4 Drawing Sheets



OTHER PUBLICATIONS

“RollerRings™ Nickel Shower Curtain Hooks (Set of 12)” [online] [retrieved May 17, 2010]. Retrieved from the Internet: <http://www.bedbathandbeyond.com/product.asp?order_num=-1&Sku=14039449>. 1 page.

RollerRings™ Nickel Shower Curtain Hooks, [online] [retrieved May 17, 2010]. Retrieved from the Internet: <http://images.bedbathandbeyond.com/assets/product_images/380/5093314039449P.jpg>. 1 page.

“Angular Chrome Shower Curtain Hooks (Set of 12)” [online] [retrieved May 17, 2010]. Retrieved from the Internet: <http://www.bedbathandbeyond.com/product.asp?order_num=-1&SKU=14107649>. 1 page.

Angular Chrome Shower Curtain Hooks, [online] [retrieved May 17, 2010]. Retrieved from the Internet: <http://images.bedbathandbeyond.com/assets/product_images/380/10449514107649P.jpg>. 1 page.

“Split Chrome Dual Shower Curtain Hooks (Set of 12)” [online] [retrieved May 17, 2010]. Retrieved from the Internet: <http://www.bedbathandbeyond.com/product.asp?order_num=-1&SKU=13706980>. 1 page.

Split Chrome Dual Shower Curtain Hooks, [online] [retrieved May 17, 2010]. Retrieved from the Internet: <http://images.bedbathandbeyond.com/assets/product_images/380/5092813706980P.jpg>. 1 page.

“Umbra Ride Set of 12 Shower Rings, Chrome” [online] [retrieved May 17, 2010]. Retrieved from the Internet: <http://www.amazon.com/Umbra-Ride-Shower-Rings-Chrome/dp/B0028RXGMW/ref=sr_1_1?s=gateway&ie=UTF8&qid=1285770238&sr=8-1>. 1 page.

“Zenith Prod. 96SS Double Shower Curtain and Liner Roller Hook” [online] [retrieved May 17, 2010]. Retrieved from the Internet: <http://www.amazon.com/Zenith-Double-Shower-Curtain-Roller/dp/B0014XOHJC/ref=sr_1_1?s=gateway&ie=UTF8&qid=1285770418&sr=8-1>. 1 page.

“Zenith Prod. 96BN Double Roller Shower Curtain Hook” [online] [retrieved May 17, 2010]. Retrieved from the Internet: <http://www.amazon.com/Zenith-Double-Roller-Shower-Curtain/dp/B0036QJQUO/ref=sr_1_1?s=gateway&ie=UTF8&qid=1285770537&sr=8-1>. 1 page.

* cited by examiner

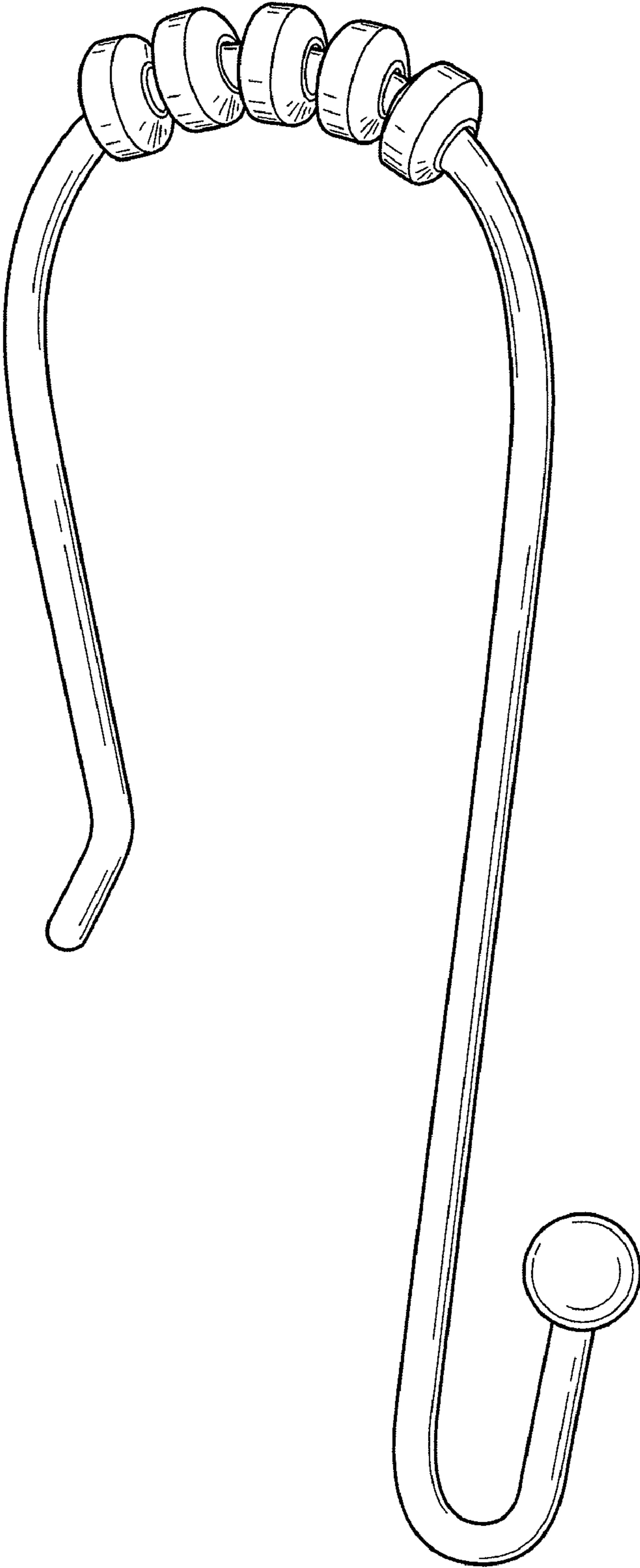


FIG. 1

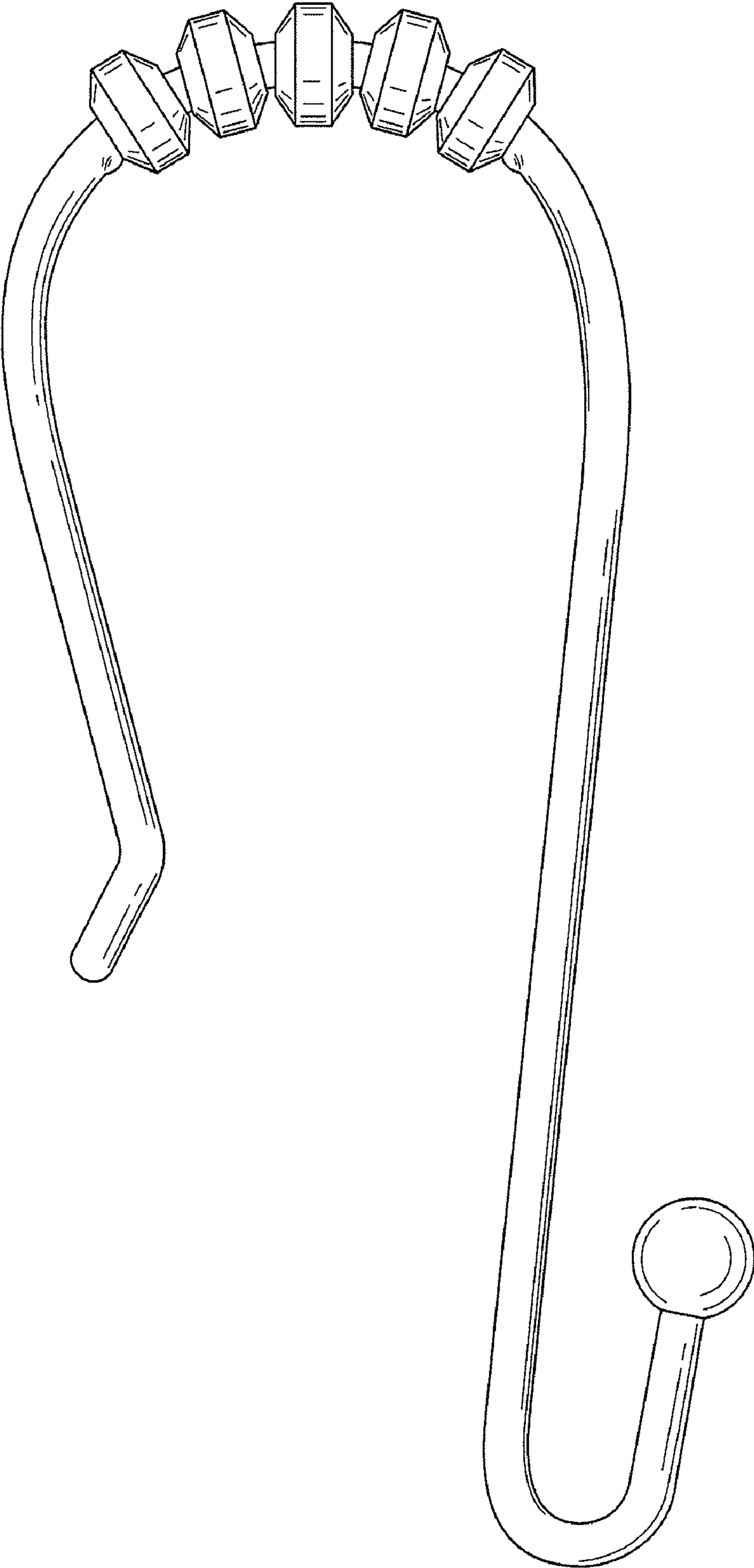


FIG. 2

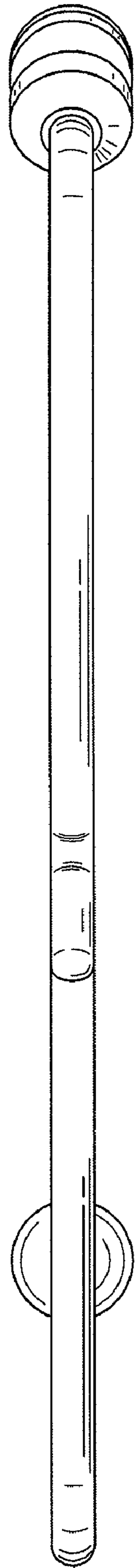


FIG. 3

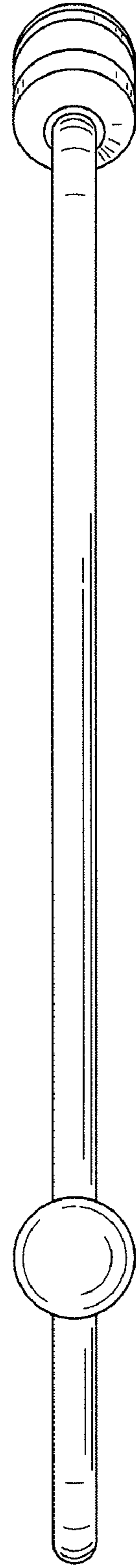


FIG. 4

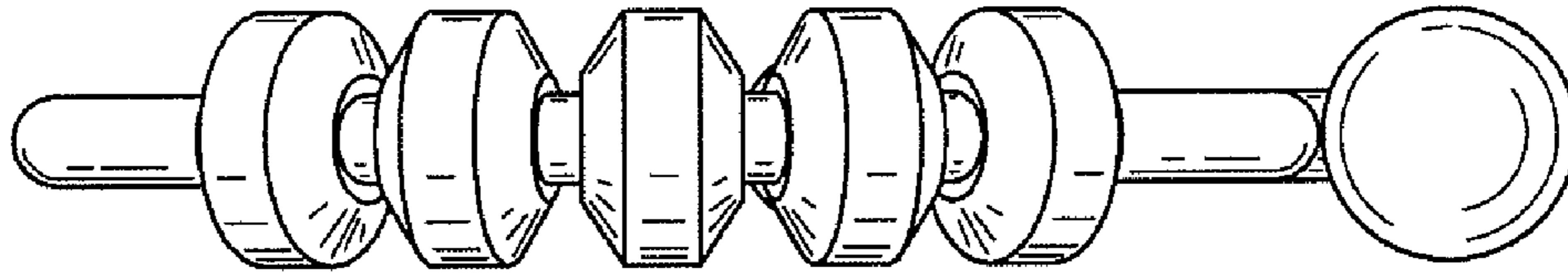


FIG. 5

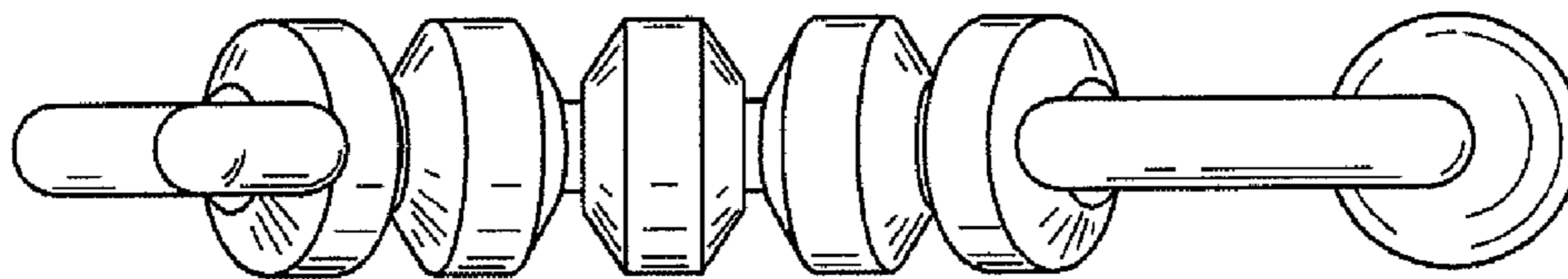


FIG. 6