

US00D630087S

(12) **United States Design Patent**
Stram et al.

(10) **Patent No.:** **US D630,087 S**
(45) **Date of Patent:** **** Jan. 4, 2011**

(54) **COMBINATION DIVIDER AND RETAINER DISPLAY CLIP**

(75) Inventors: **John V. Stram**, Blue Springs, MO (US);
Brian R. Palmer, Kansas City, MO (US);
Craig William Cayce, Kansas City, MO (US)

(73) Assignee: **Hallmark Cards, Incorporated**, Kansas City, MO (US)

(**) Term: **14 Years**

(21) Appl. No.: **29/359,612**

(22) Filed: **Apr. 13, 2010**

Related U.S. Application Data

(63) Continuation of application No. 11/744,507, filed on May 4, 2007.

(51) **LOC (9) Cl.** **08-08**

(52) **U.S. Cl.** **D8/356**

(58) **Field of Classification Search** D8/105,
D8/107, 333, 349, 345, 356, 358, 360, 360.1,
D8/367, 372, 373, 382, 383, 394-396, 400;
D13/133, 139.4, 153, 155; 24/18, 20 W,
24/23 W, 115 R, 129 C, 130, 131 R, 197,
24/561; 52/220.7; 174/135, 153 G, 650,
174/656; 211/86.01, 87.01, 94.01; 242/400.1,
242/405.1, 405.2, 600, 603; 248/65, 74.1-74.4,
248/201, 214, 215, 229.26
See application file for complete search history.

(56) **References Cited**

U.S. PATENT DOCUMENTS

D31,083 S * 6/1899 Seng D8/394
D59,792 S * 11/1921 Taylor D8/354
2,183,074 A * 12/1939 Hopkins 248/37.6
2,516,122 A 7/1950 Hughes
2,532,600 A 12/1950 Broersma
2,688,409 A 9/1954 Echlin
D176,162 S * 11/1955 Steece D6/528
2,938,634 A 5/1960 Ganz

3,002,632 A * 10/1961 Van 211/184
3,285,424 A 11/1966 Emery
3,298,538 A 1/1967 Ganz
3,339,746 A 9/1967 Lennard
3,579,710 A 5/1971 Gartzke
3,612,292 A 10/1971 Nervig
3,706,150 A 12/1972 Greenberger
3,893,739 A 7/1975 Bernard et al.
D274,978 S * 8/1984 Preisler D8/349
4,472,860 A * 9/1984 Osterlind 24/129 R
4,723,880 A * 2/1988 Stumpf, Jr. 410/143
4,735,324 A 4/1988 Wilcek
D299,809 S * 2/1989 Hagedorn D8/373
4,846,354 A * 7/1989 Adams 211/41.12
D355,349 S * 2/1995 Taparuskas, Jr. D8/349

(Continued)

Primary Examiner—Robert M Spear
Assistant Examiner—Karen Acker
(74) *Attorney, Agent, or Firm*—Shook, Hardy & Bacon L.L.P.

(57) **CLAIM**

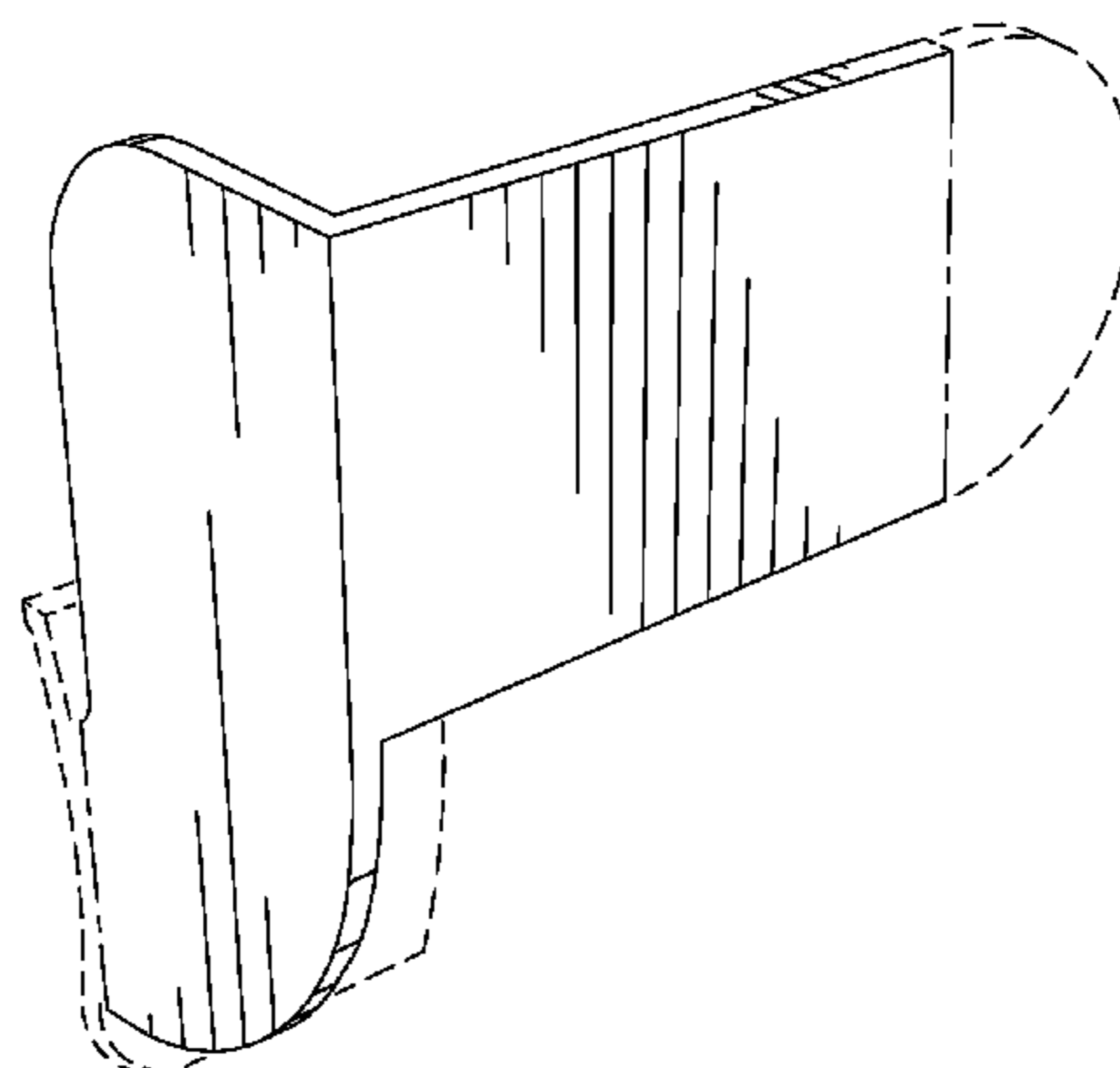
The ornamental design for a combination divider and retainer display clip, as shown and described.

DESCRIPTION

FIG. 1 is a perspective view of a combination divider and retainer display clip of the present invention;
FIG. 2 is a front elevation view thereof;
FIG. 3 is a right side elevation view thereof;
FIG. 4 is a rear elevation view thereof;
FIG. 5 is a left side elevation view thereof;
FIG. 6 is top plan view thereof; and,
FIG. 7 is a bottom plan view thereof.

The broken lines in the drawing adjacent to the shaded surfaces indicate the boundaries of the claimed design and form no part of the design. All broken lines and areas within the broken lines in the drawing represent unclaimed environmental subject matter and form no part of the claimed design.

1 Claim, 2 Drawing Sheets



US D630,087 S

Page 2

U.S. PATENT DOCUMENTS

D369,780 S *	5/1996	Sachs	D13/133	D496,580 S *	9/2004	Moen	D8/373
D371,505 S *	7/1996	Young	D8/349	7,028,854 B1 *	4/2006	Londrico	211/89.01
5,687,856 A *	11/1997	Kendrena	211/70.6	D566,532 S *	4/2008	Wolff	D8/367
D445,019 S *	7/2001	Vitetta	D8/366	D594,313 S *	6/2009	Clarke	D8/354
6,409,028 B2 *	6/2002	Nickerson	211/59.3	D599,272 S *	9/2009	Feder	D12/223
6,412,648 B1	7/2002	Woolnough et al.			D601,409 S *	10/2009	Bowe	D8/349
					2003/0189018 A1	10/2003	Hopkins		

* cited by examiner

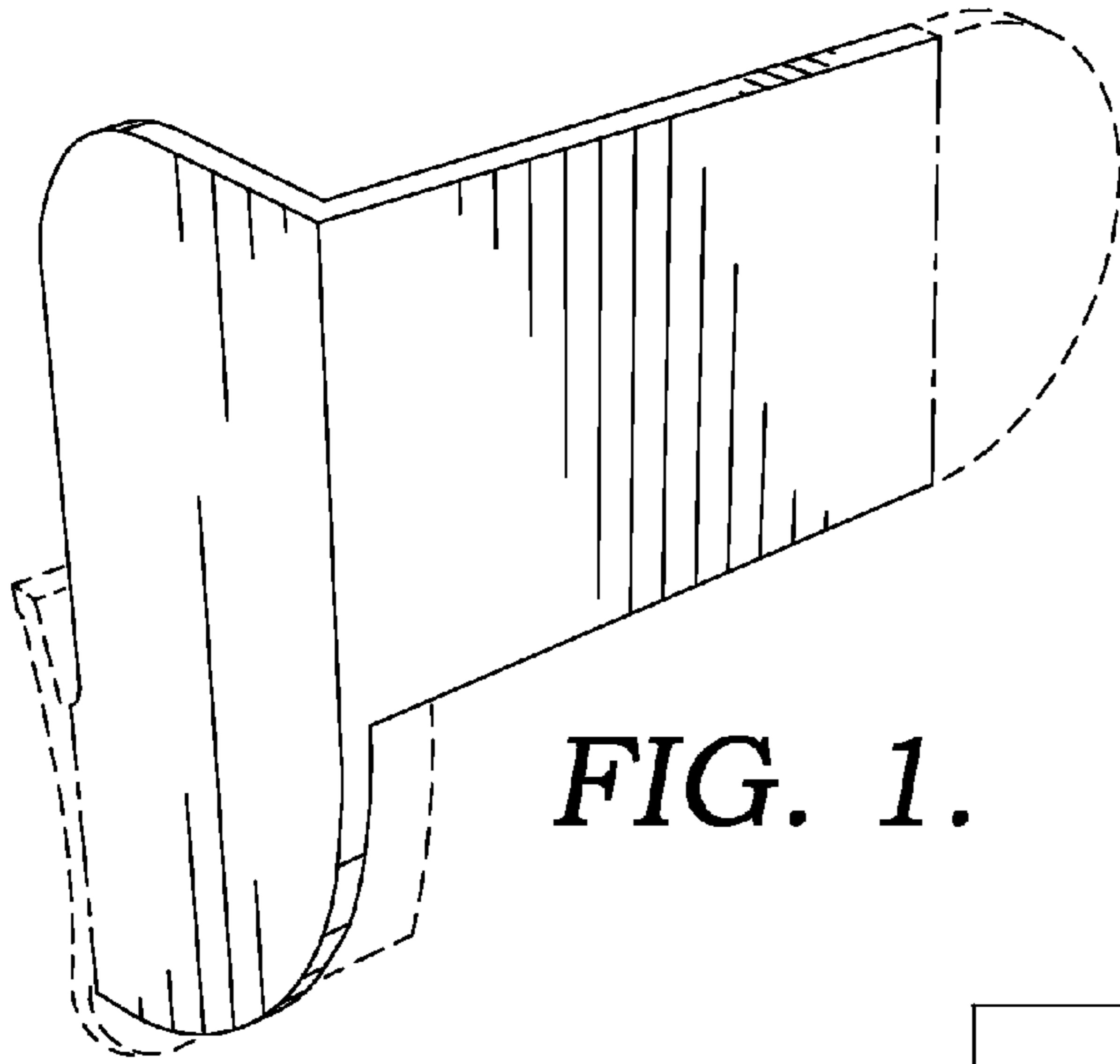


FIG. 1.

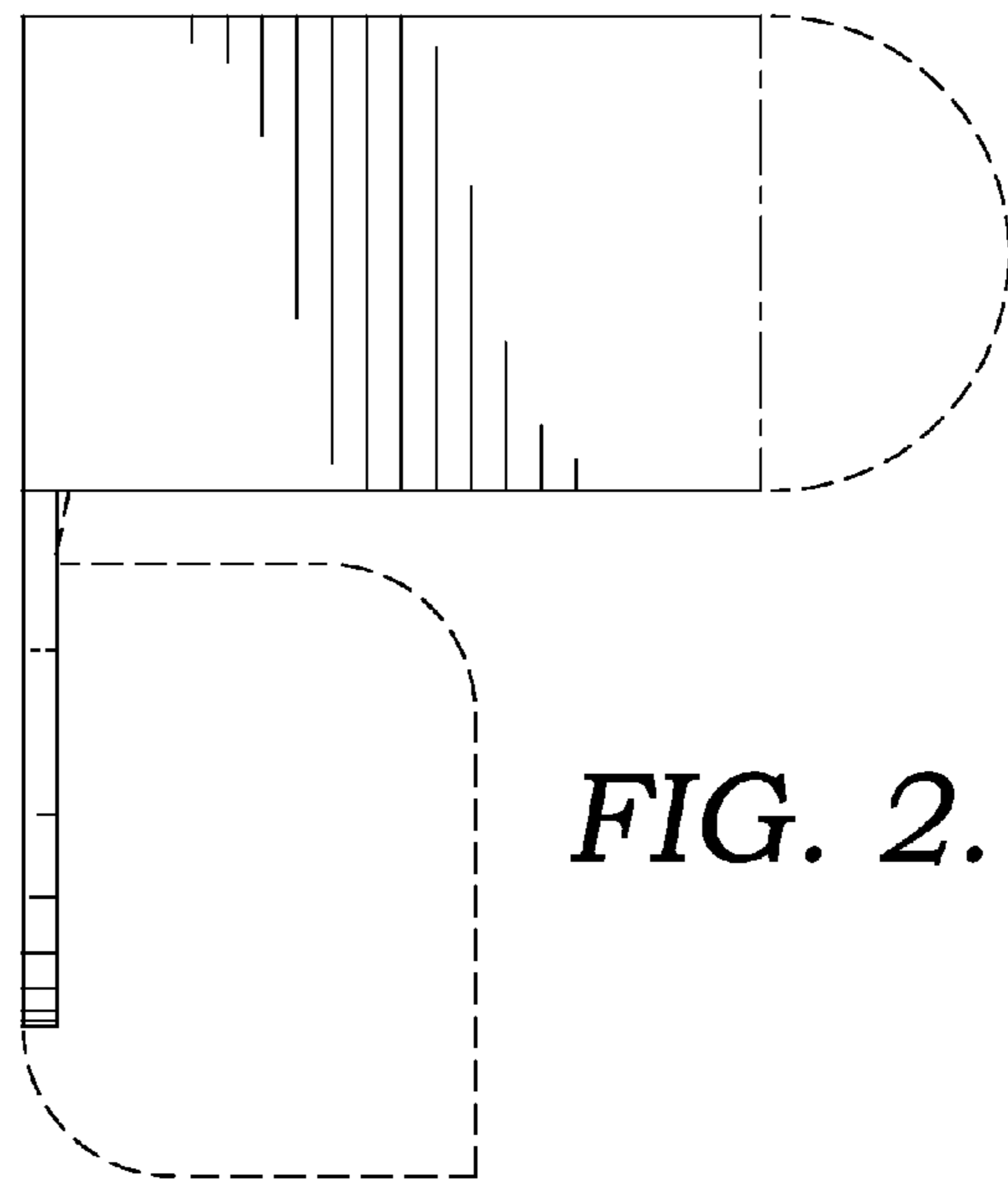


FIG. 2.

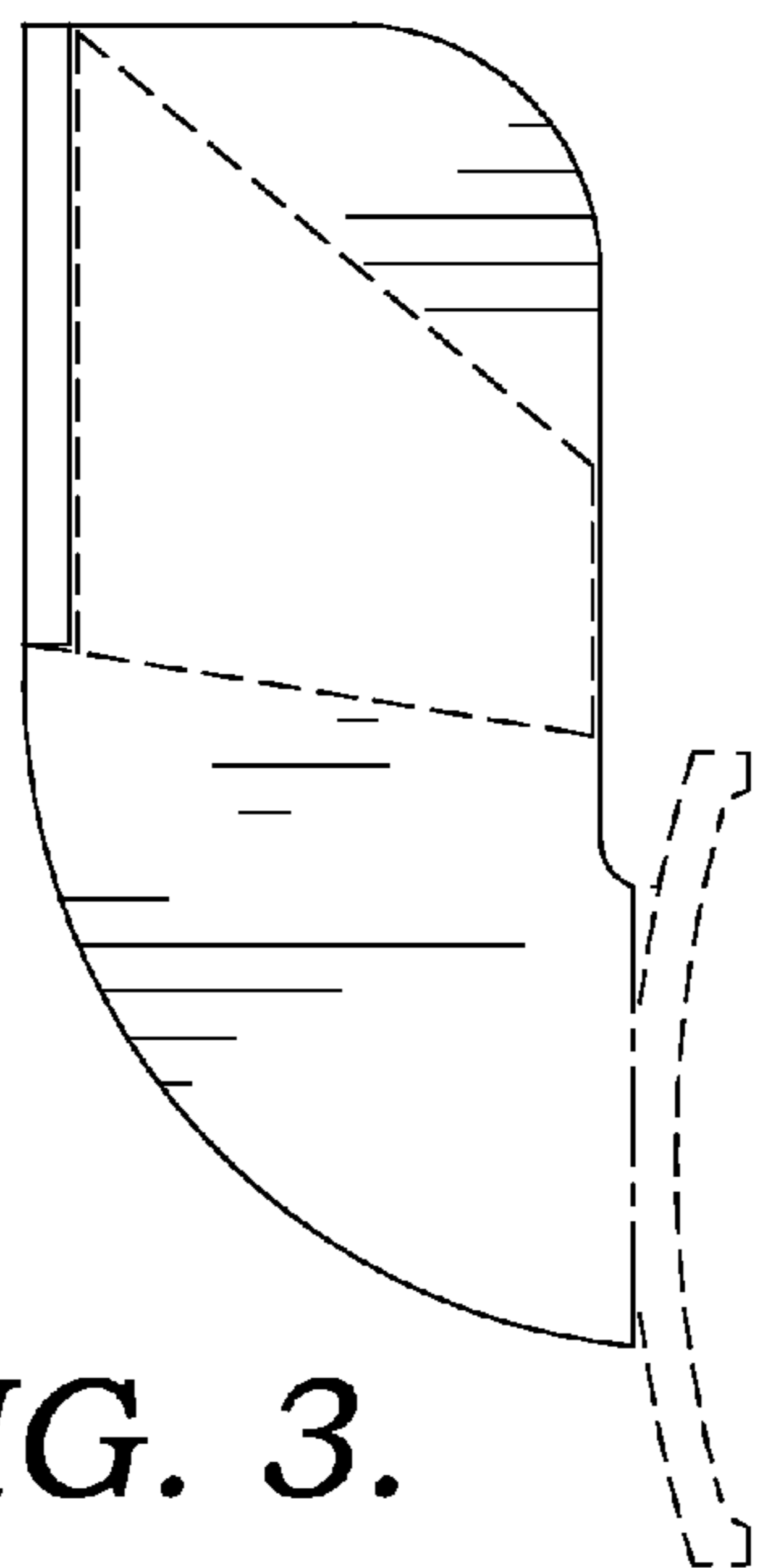


FIG. 3.

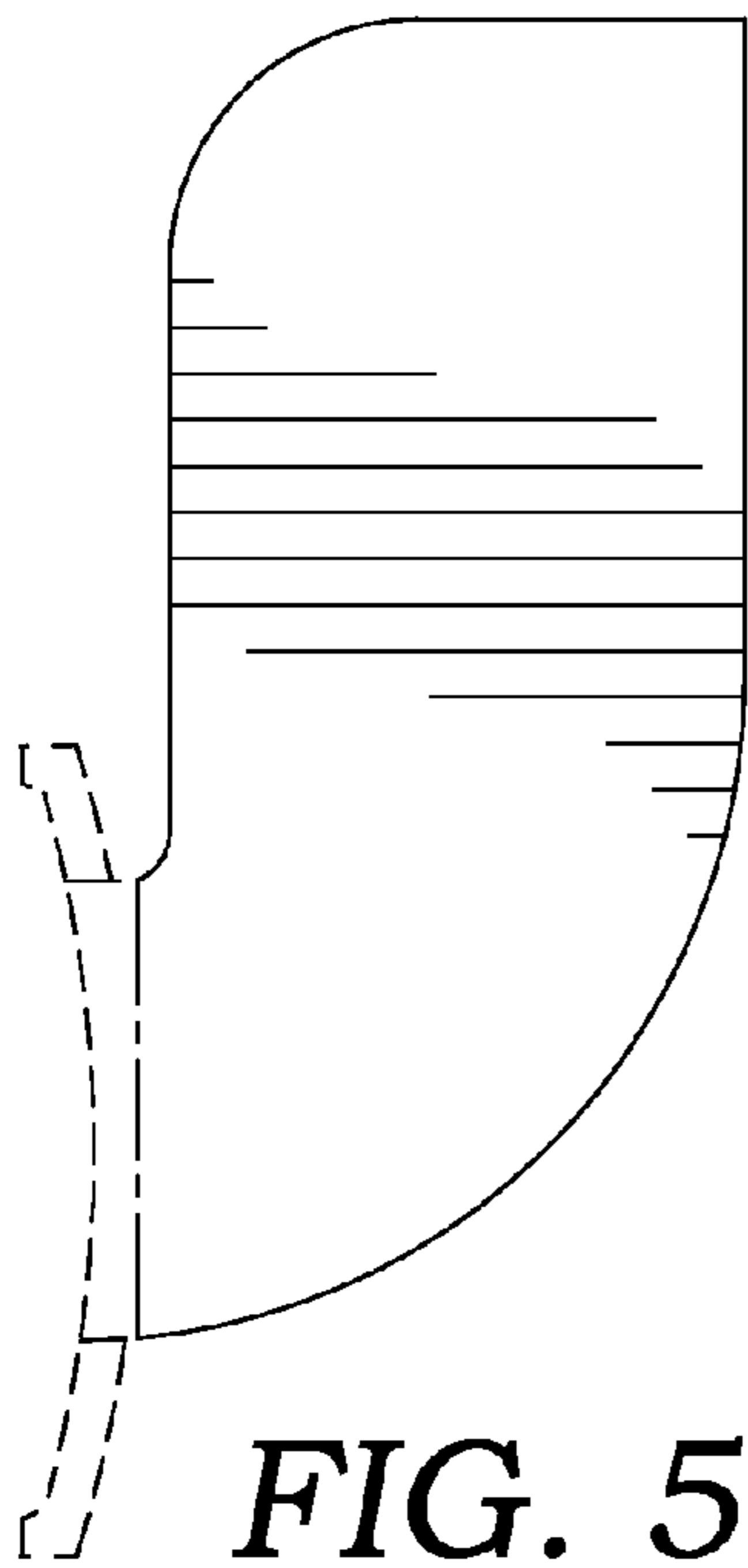


FIG. 5.

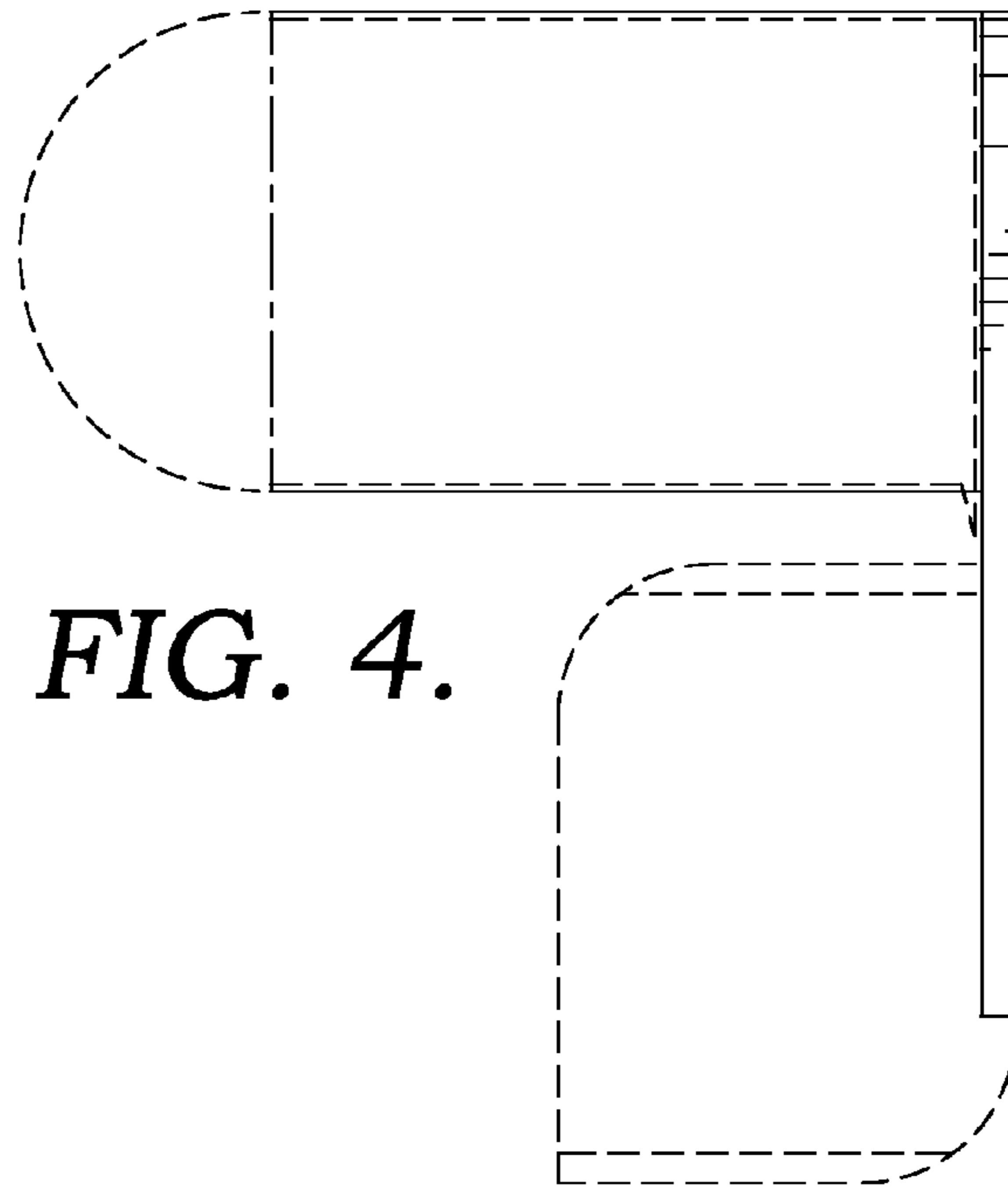


FIG. 4.

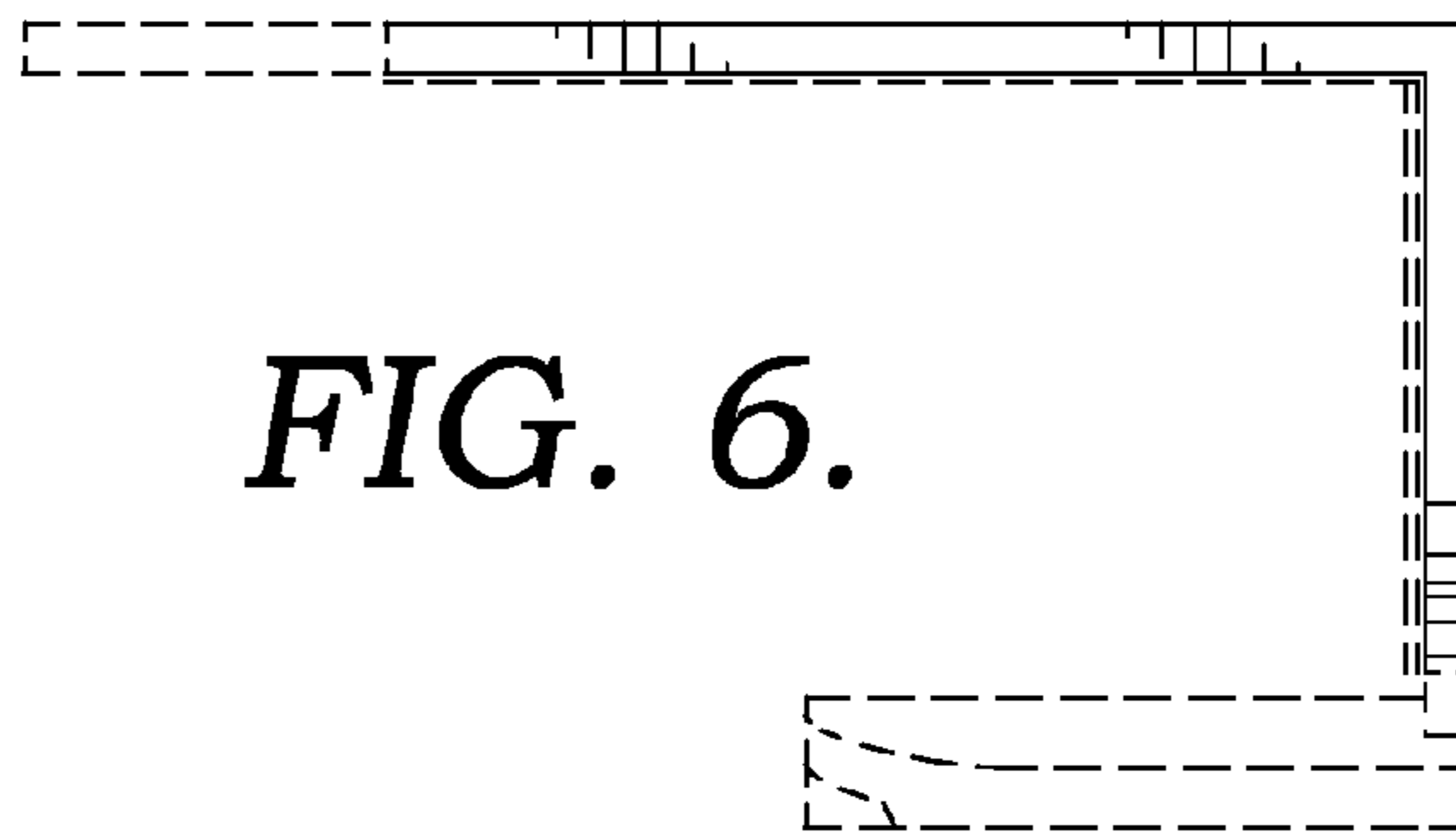


FIG. 6.



FIG. 7.