



US00D630086S

(12) **United States Design Patent**  
**Chou**

(10) **Patent No.:** **US D630,086 S**

(45) **Date of Patent:** **\*\* Jan. 4, 2011**

(54) **PROTECTION COVER FOR A WINDOW CURTAIN CHAIN**

(76) **Inventor:** **Tser Wen Chou**, 1A, 3F., No. 176, Jiankang Rd., Taipei City (TW)

(\*\*) **Term:** **14 Years**

(21) **Appl. No.:** **29/327,477**

(22) **Filed:** **Nov. 6, 2008**

(51) **LOC (9) Cl.** ..... **08-08**

(52) **U.S. Cl.** ..... **D8/356**

(58) **Field of Classification Search** ..... D8/105, D8/107, 333, 349, 354, 356, 358, 360, 360.1, D8/367, 372, 373, 382, 383, 394-396, 400; D13/133, 139.4, 153, 155; 24/18, 20 W, 24/23 W, 115 R, 129 C, 130, 131 R, 197, 24/561; 52/220.7; 174/135, 153 G, 650, 174/656; 211/86.01, 87.01, 94.01; 242/400.1, 242/405.1, 405.2, 600, 603; 248/65, 74.1-74.4, 248/201, 214, 215, 229.26; D6/580

See application file for complete search history.

(56) **References Cited**

**U.S. PATENT DOCUMENTS**

482,797	A *	9/1892	Killinger	160/23.1
D27,719	S *	10/1897	Brown	D6/580
1,062,491	A *	5/1913	Mershon	24/18
1,476,520	A *	12/1923	Kaye	24/18
4,041,241	A *	8/1977	Olmstead et al.	174/153 G
4,448,233	A *	5/1984	Rombouts	160/319
4,657,060	A *	4/1987	Kaucic	160/168.1 V
D316,032	S *	4/1991	Westphal et al.	D8/400
5,137,073	A *	8/1992	Huang	160/321
D359,899	S *	7/1995	Sauber	D8/359
D366,585	S *	1/1996	Mueller	D6/580
5,983,972	A *	11/1999	Chou	160/319
6,123,140	A *	9/2000	Bergamaschi	160/316
6,138,740	A *	10/2000	Chou	160/319
6,739,373	B1 *	5/2004	Liu et al.	160/321

6,749,000	B2 *	6/2004	Bohlen	160/321
D505,583	S *	5/2005	Allsopp	D6/580
7,128,126	B2 *	10/2006	Smith et al.	160/319
D609,082	S *	2/2010	Camisasca et al.	D8/382
2010/0024993	A1 *	2/2010	Chou	160/323.1

**FOREIGN PATENT DOCUMENTS**

EP	899412	A2 *	3/1999
JP	2000240379	A *	9/2000

\* cited by examiner

*Primary Examiner*—Robert M Spear

*Assistant Examiner*—Karen Acker

(74) *Attorney, Agent, or Firm*—Ming Chow; Sinorica, LLC

(57) **CLAIM**

The ornamental design for a protection cover for a window curtain chain, as shown and described.

**DESCRIPTION**

FIG. 1 is a perspective view of a protection cover for a window curtain chain;

FIG. 2 is a front view thereof;

FIG. 3 is a rear view thereof;

FIG. 4 is a left side view thereof;

FIG. 5 is a right side view thereof;

FIG. 6 is a bottom view thereof;

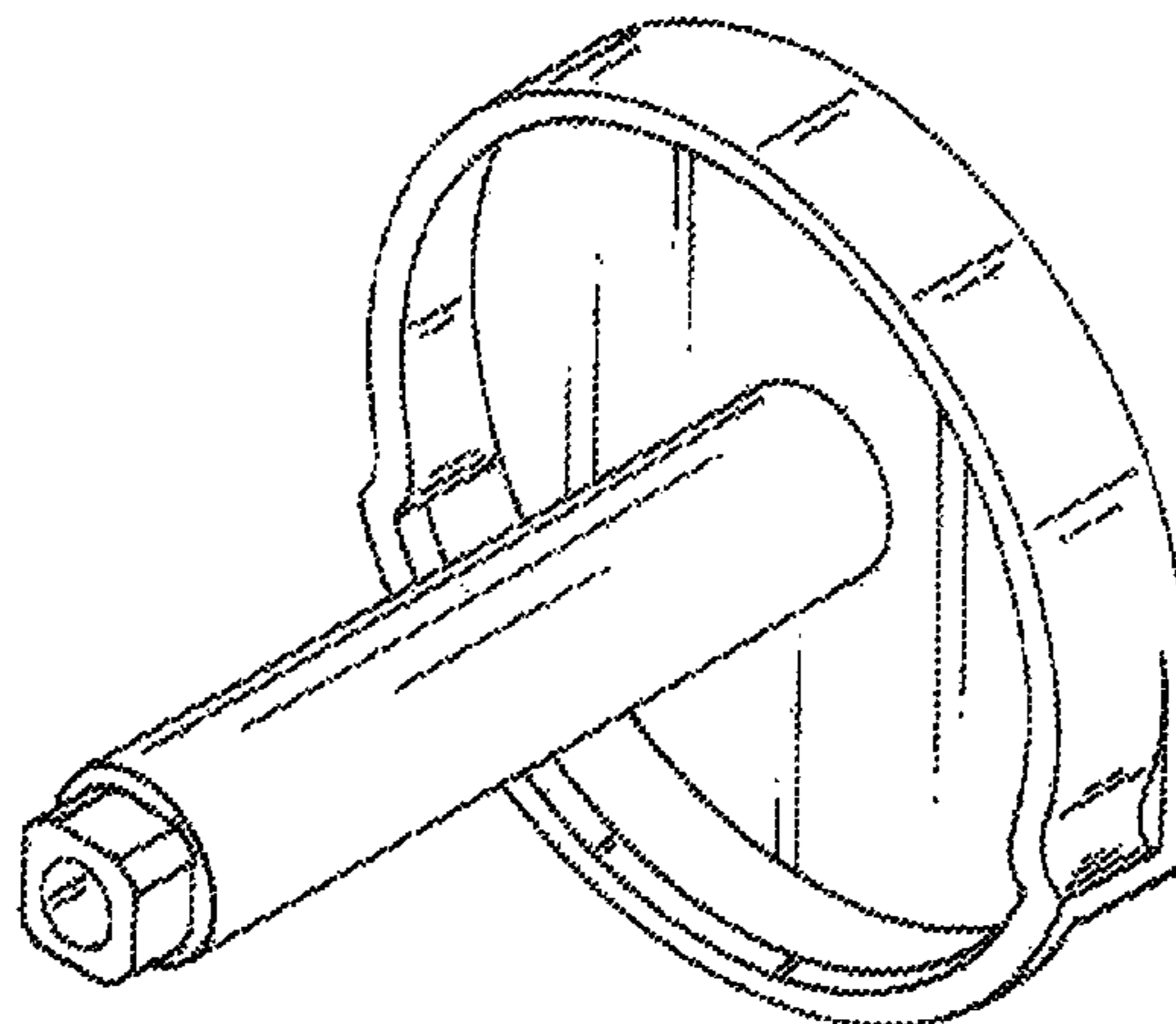
FIG. 7 is a top view thereof;

FIG. 8 is the enlarged front view of the protection cover for a window curtain chain shown in a condition of use; and,

FIG. 9 is an enlarged front view of the protection cover for a window curtain chain shown in an alternative condition of use.

The broken lines in the drawings represent unclaimed environmental subject matter.

**1 Claim, 6 Drawing Sheets**



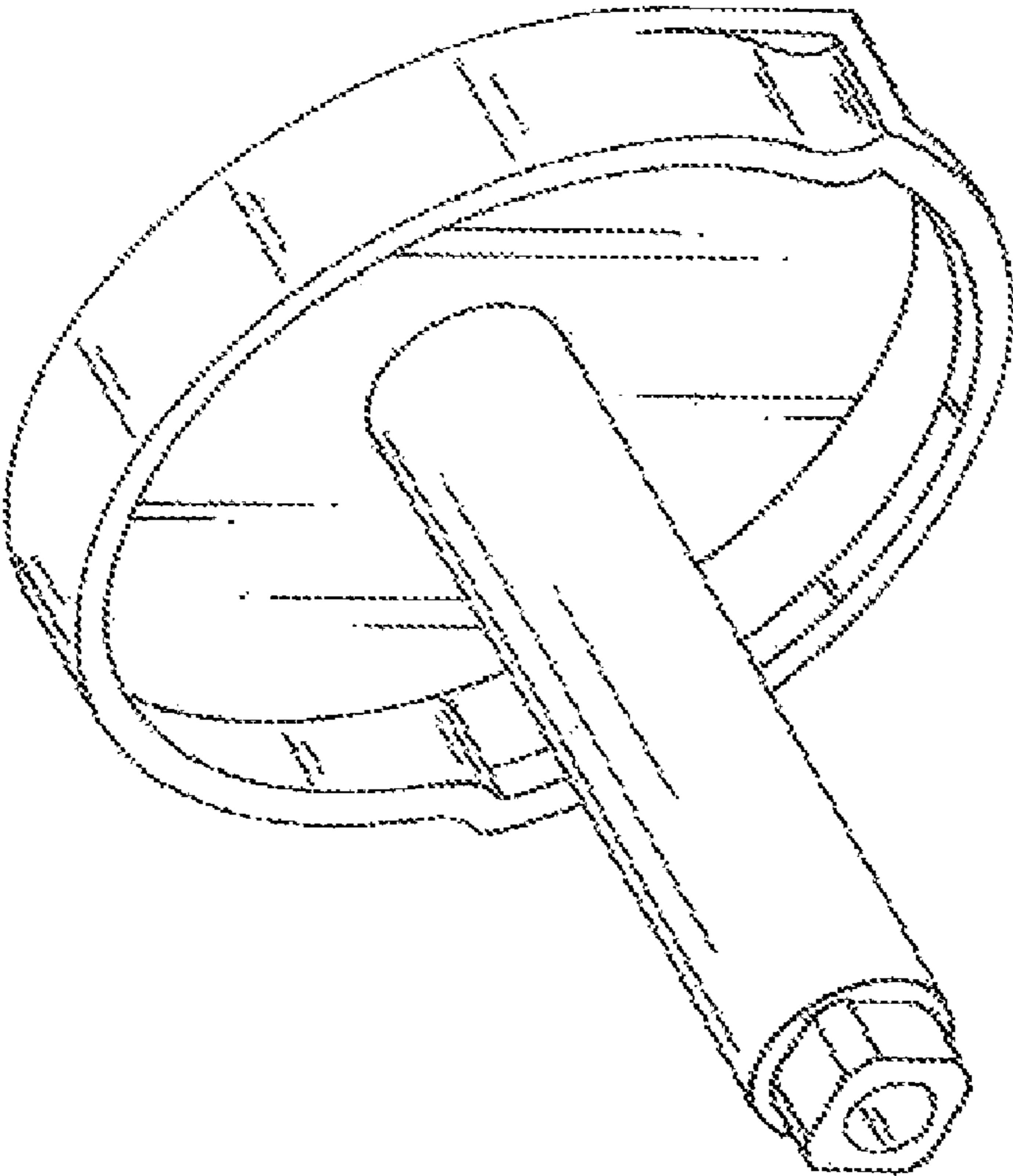


FIG 1

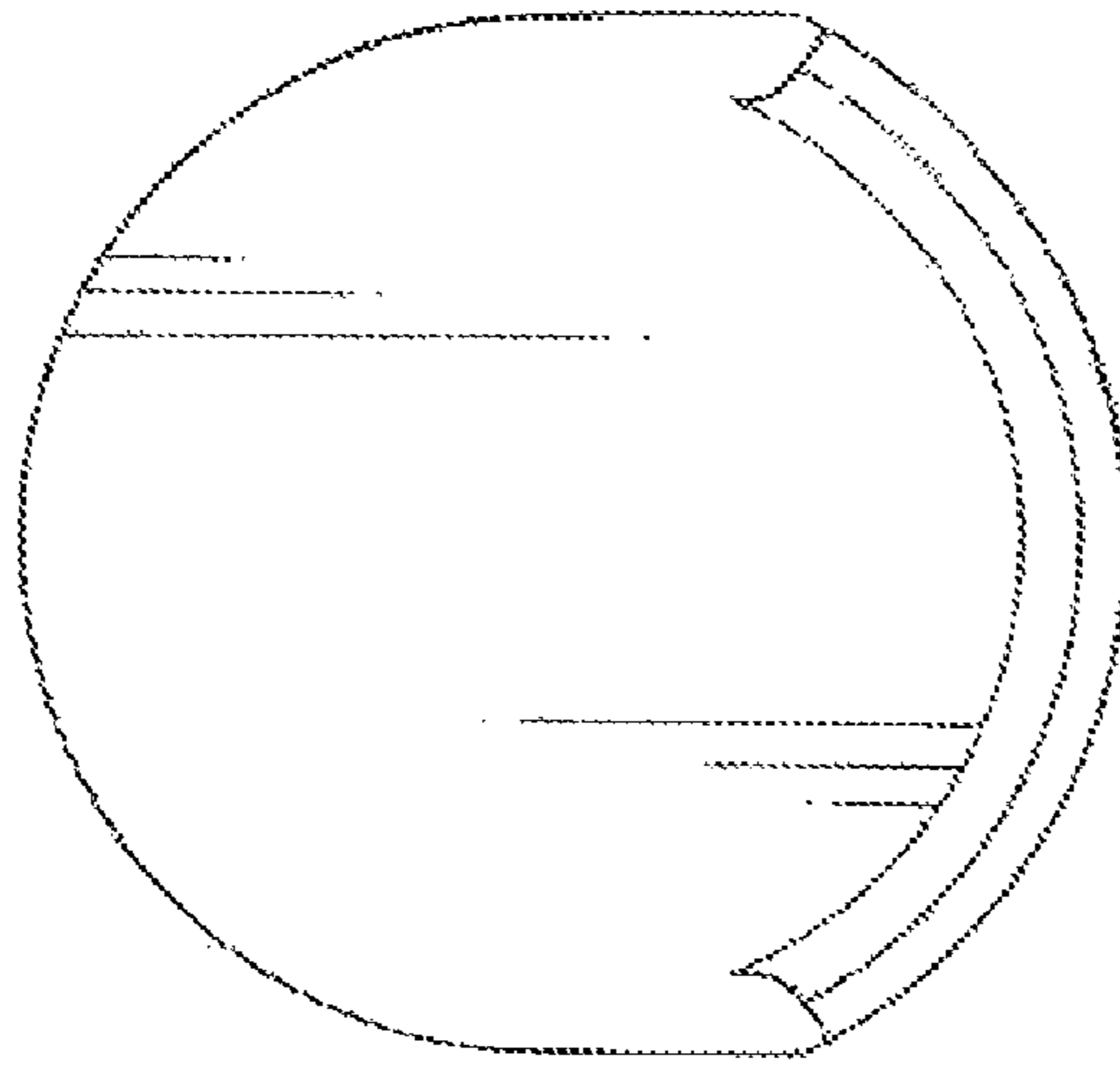


FIG 3

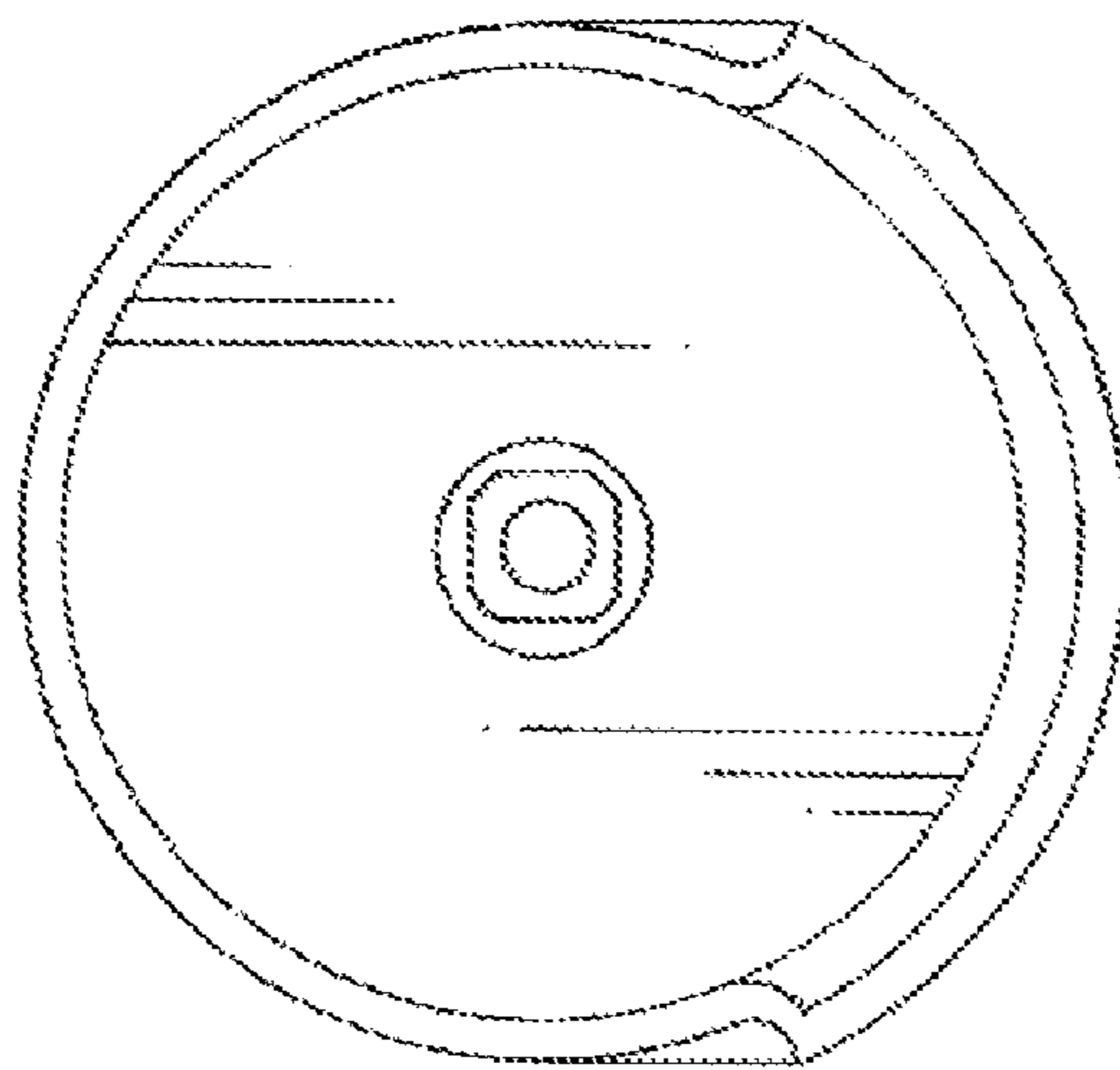


FIG 2

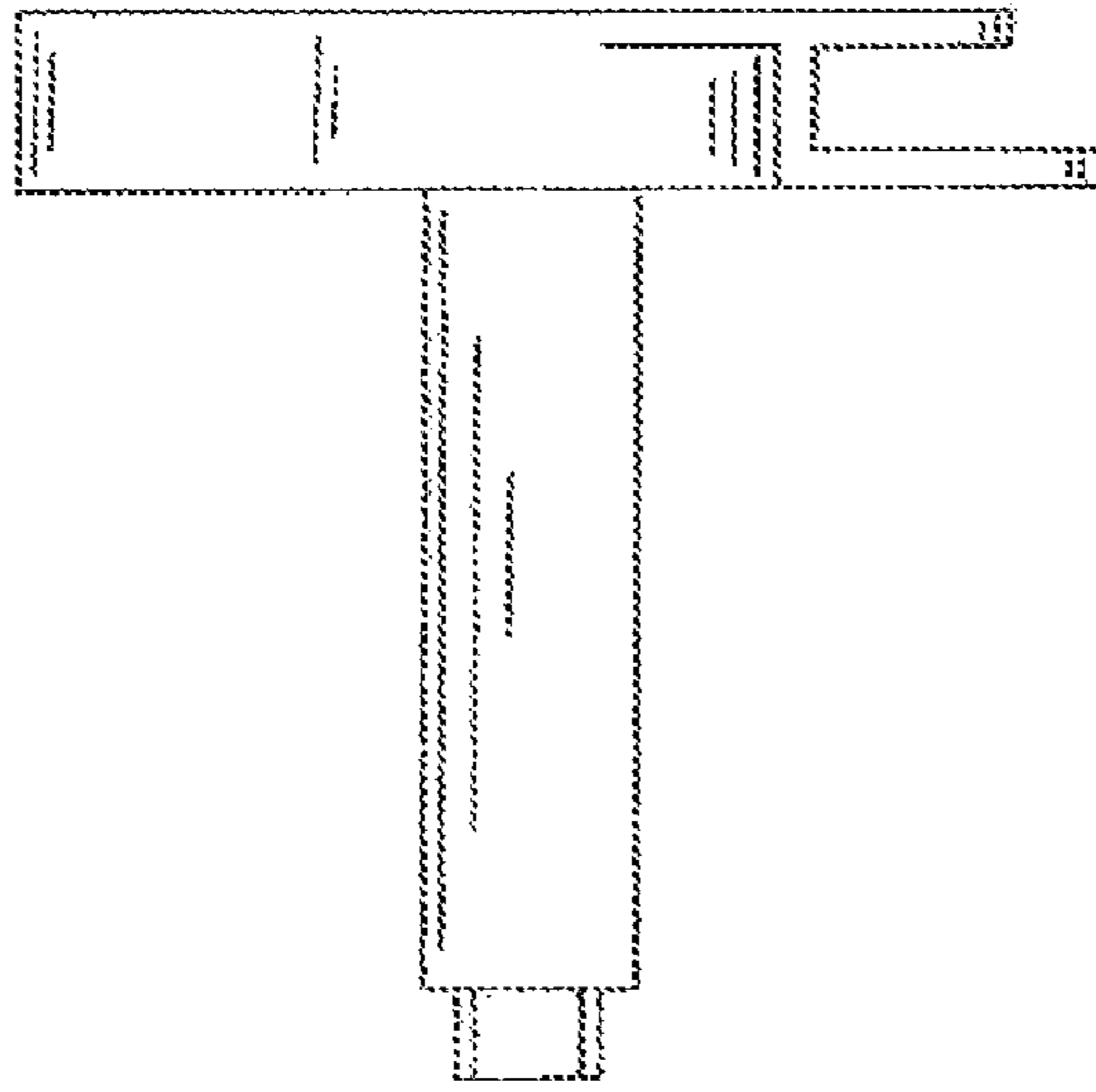


FIG 5

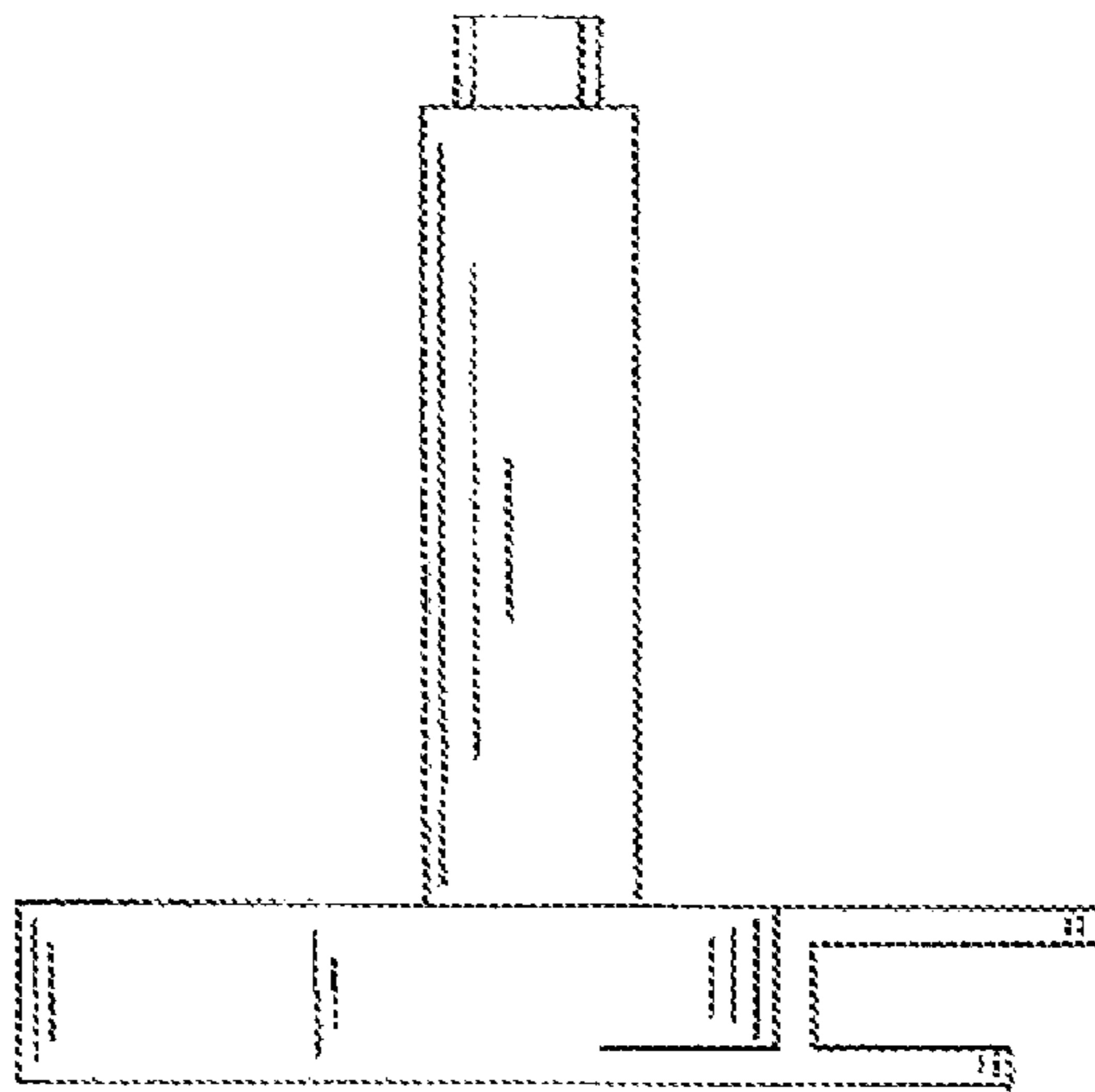


FIG 4

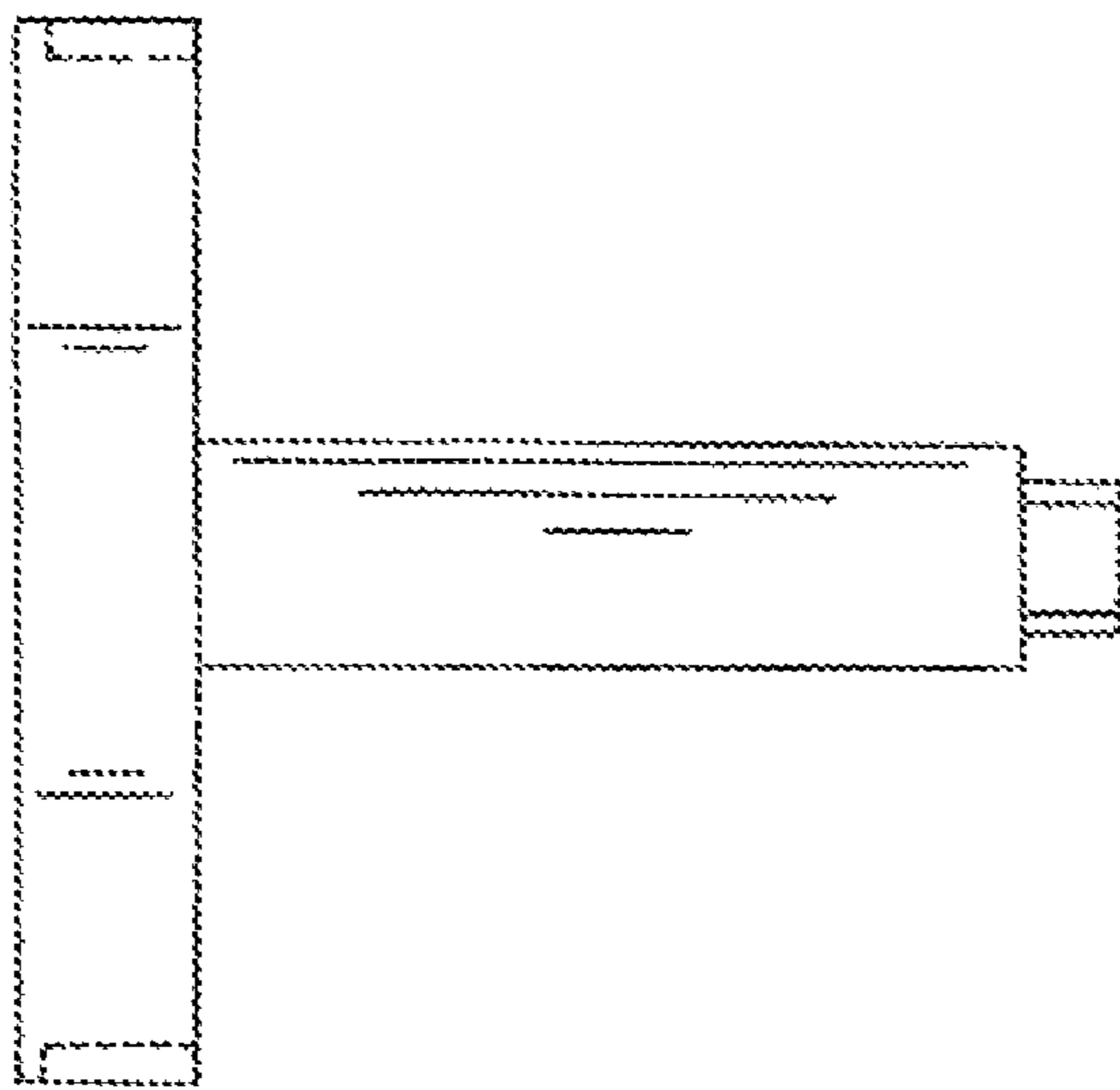


FIG 7

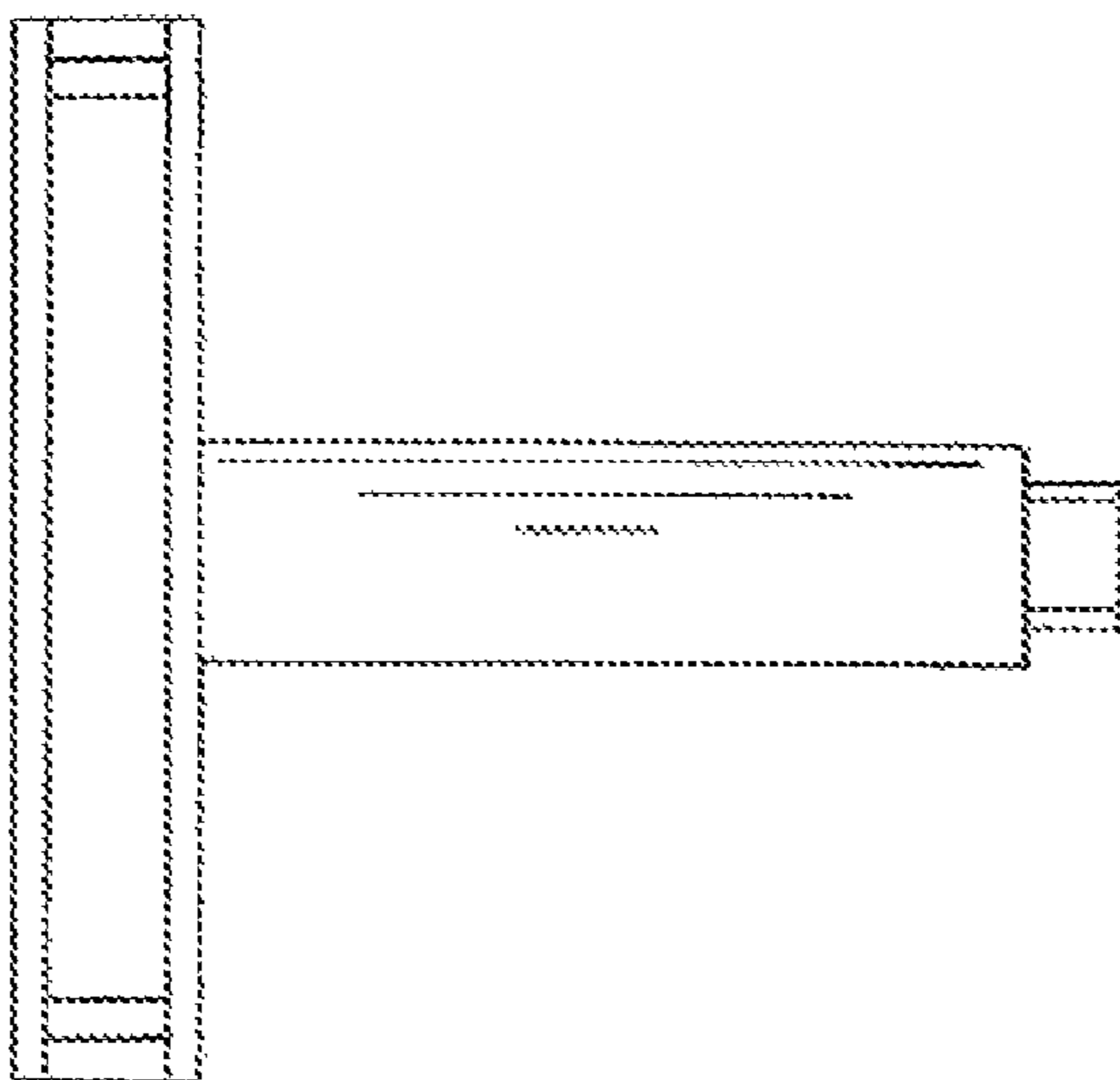


FIG 6

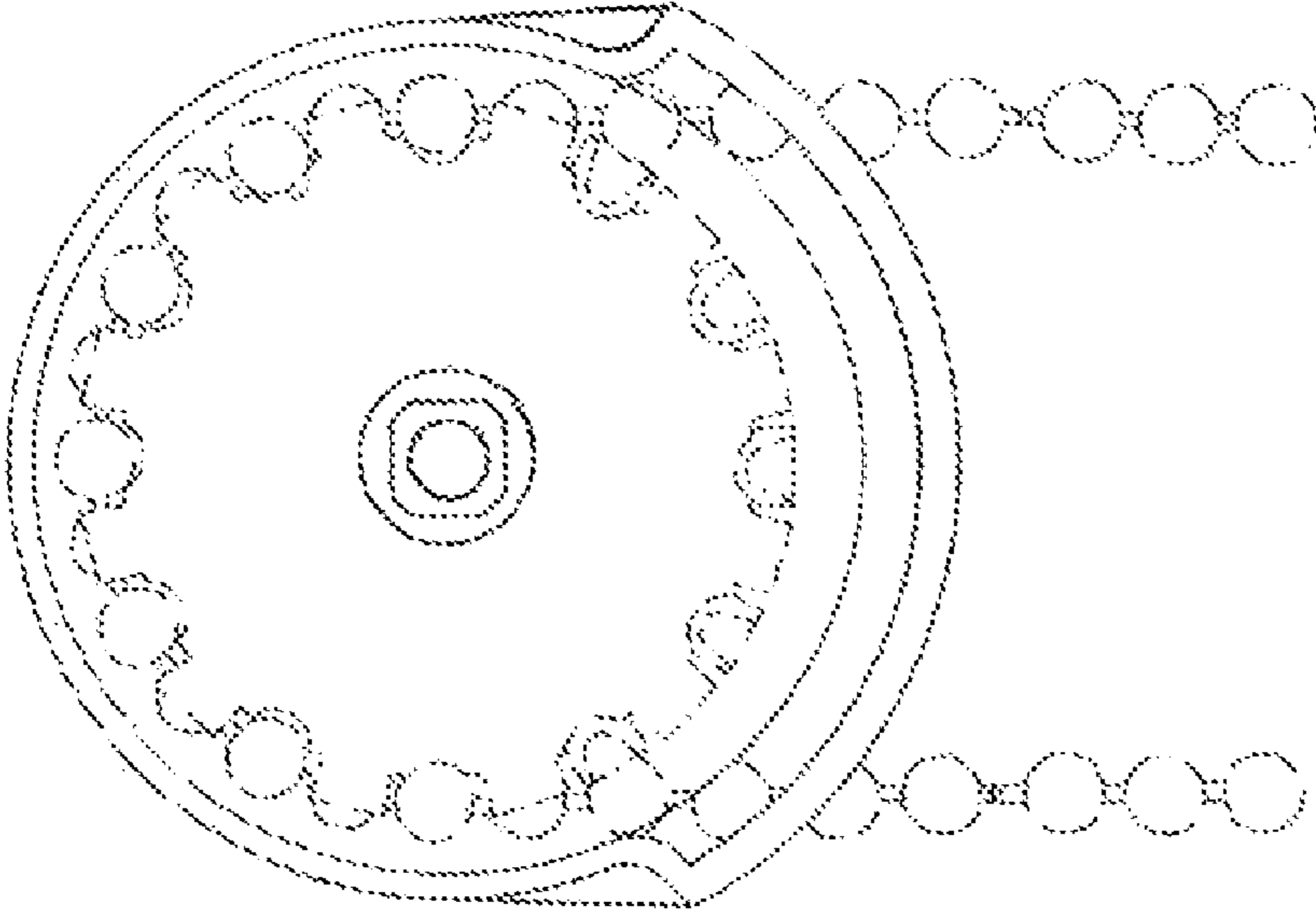


FIG 8

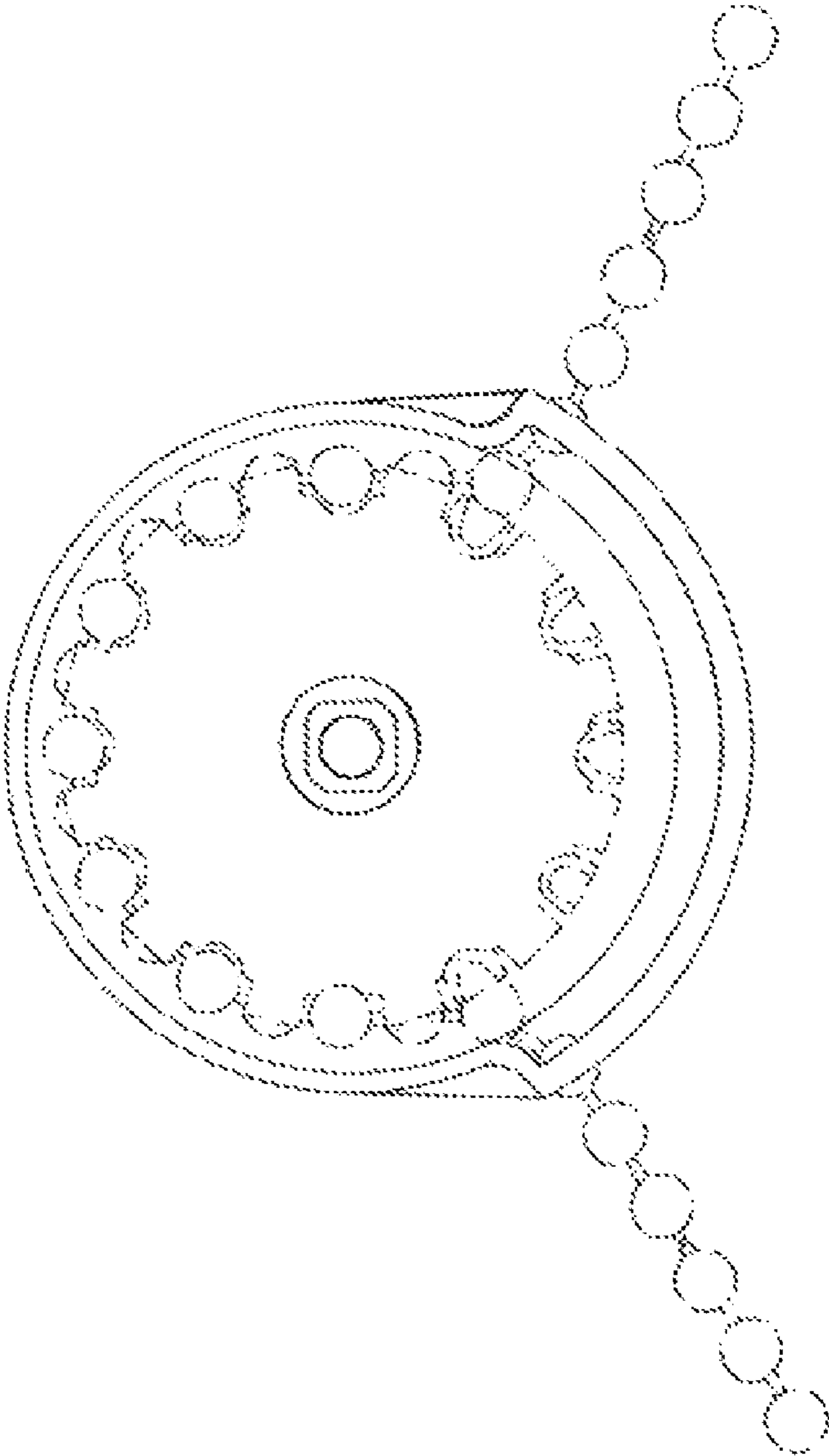


FIG 9