



US00D630085S

(12) **United States Design Patent**  
**Zant et al.**

(10) **Patent No.:** **US D630,085 S**  
(45) **Date of Patent:** **\*\* Jan. 4, 2011**

(54) **FENCE POST ADAPTER**

(76) Inventors: **David Raymond Zant**, 179 Panamount Heights N.W., Calgary, AB (CA) T3K 5T3; **Beverley Anne Dawson**, 179 Panamount Heights N.W., Calgary, AB (CA) T3K 5T3

(\*\*) Term: **14 Years**

(21) Appl. No.: **29/332,012**

(22) Filed: **Feb. 6, 2009**

(51) **LOC (9) Cl.** ..... **08-05**

(52) **U.S. Cl.** ..... **D8/354**

(58) **Field of Classification Search** ..... D8/349, D8/354, 380, 382; D25/61, 126, 133; 52/88, 52/155, 156, 158, 165, 300, 301, 720.2, 736.3, 52/736.4, 737.4, 737.5; 256/65.02, 65.03, 256/65.04, 65.05, 65.11, 65.14, 65.15, 65.16, 256/68; 403/2, 71, 76

See application file for complete search history.

(56) **References Cited**

**U.S. PATENT DOCUMENTS**

- 632,966 A \* 9/1899 Mullenix ..... 52/158
- 3,081,114 A \* 3/1963 Esty ..... 403/71
- D314,701 S \* 2/1991 Mykines ..... D8/354
- 5,458,428 A 10/1995 West
- D364,794 S \* 12/1995 Eberschlag ..... D8/354
- D378,986 S \* 4/1997 Darula ..... D8/354
- 5,938,184 A 8/1999 DeSouza
- 5,946,871 A \* 9/1999 Kassardjian et al. .... 52/301
- RE36,550 E 2/2000 West
- D420,890 S \* 2/2000 Kuhnke ..... D8/354
- D443,937 S \* 6/2001 Prokop ..... D25/133
- 6,523,808 B1 2/2003 Lehmann
- 6,948,283 B2 9/2005 Burkart et al.

- D520,145 S \* 5/2006 Boyd ..... D25/38
- D531,325 S \* 10/2006 Navare ..... D25/133
- D534,792 S \* 1/2007 Cooper ..... D8/382
- 7,155,870 B2 1/2007 Almy
- D540,956 S \* 4/2007 Mahoney ..... D25/133
- D547,463 S \* 7/2007 Gross et al. .... D25/133
- D552,264 S \* 10/2007 Collins, IV ..... D25/133
- 7,278,240 B2 10/2007 Burkart et al.
- D557,129 S \* 12/2007 Jones et al. .... D8/382
- D573,453 S \* 7/2008 Buckley ..... D8/382

(Continued)

**OTHER PUBLICATIONS**

N7 Erie Creek, "Installation Fence Systems" Product Brochure of Erie Creek Building Products Inc., available as early as 2007, online [http://www.ezeevinylfence.com/Install\\_systems.html](http://www.ezeevinylfence.com/Install_systems.html). 2 pages.

(Continued)

*Primary Examiner*—Cynthia M Chin  
(74) *Attorney, Agent, or Firm*—Davis & Bujold, P.L.L.C.

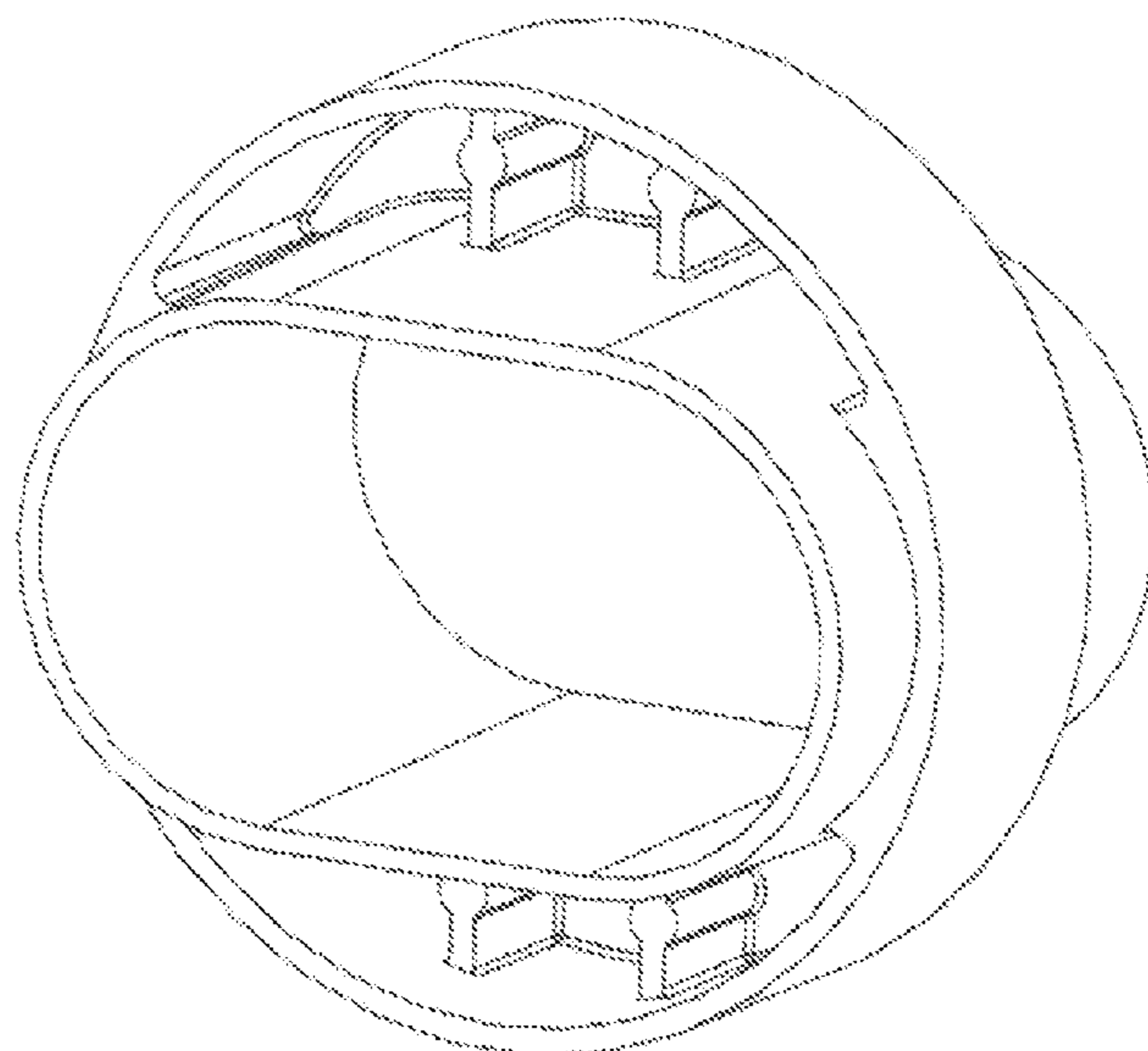
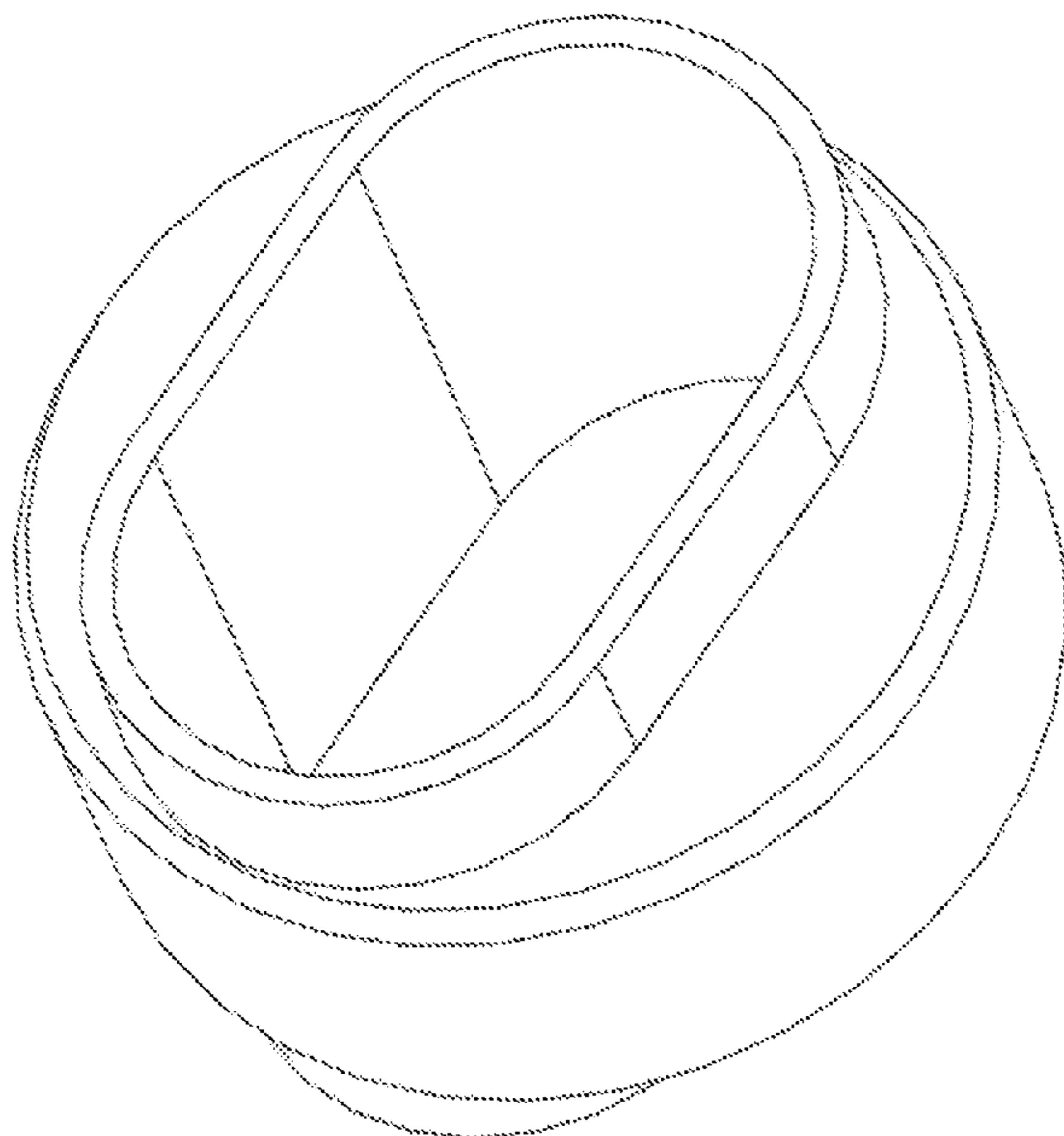
(57) **CLAIM**

The ornamental design for a fence post adapter, as shown and described.

**DESCRIPTION**

FIG. 1 is a top perspective view of the fence post adapter. FIG. 2 is a bottom perspective view of the fence post adapter. FIG. 3 is a side elevation view of the fence post adapter. FIG. 4 is a front elevation view of the fence post adapter. FIG. 5 is a bottom plan view of the fence post adapter; and, FIG. 6 is a top plan view of the fence post adapter.

**1 Claim, 3 Drawing Sheets**



U.S. PATENT DOCUMENTS

7,398,961 B2 \* 7/2008 Froese ..... 256/65.14  
D599,915 S \* 9/2009 Godwin ..... D25/133  
2005/0072068 A1 4/2005 Burkart et al.  
2006/0022188 A1 2/2006 Collins, IV  
2006/0022189 A1 2/2006 Collins, IV  
2006/0065885 A1 3/2006 Stanley

OTHER PUBLICATIONS

N9 Erie Creek, "Installation Fence Systems" Product Brochure of Erie Creek Building Products Inc., available between Feb. 6, 2008 and Feb. 6, 2009, online [http://www.ezeevinylfence.com/Install\\_systems.html](http://www.ezeevinylfence.com/Install_systems.html). 7 pages.

Tin Roof Designs, "EZ Mount" Product Brochure of EZ Mount, Inc., available as early as 2005. online: <http://www.ezmount.com/ezmount.html>, 2 pages.

Tin Roof Designs, "HD Post Mounting System" Product Brochure of EZ Mount, Inc., available as early as 2005, online: [http://www.ezmount.com/post\\_hd.html](http://www.ezmount.com/post_hd.html), 1 page.

Tin Roof Designs, "Post Mounting System in a Box" Product Brochure of EZ Mount, Inc., available as early as 2005, online: <http://www.ezmount.com/post.html>, 1 pg.

Advantage Vinyl Fencing, "The Advantage Post Socket" Product Brochure of Advantage Vinyl Fencing Inc., available date prior to Jan. 27, 2009, online: <http://www.advantagevinylfencing.com/The-Advantage-Post-Socket.page>, 1 page.

Advantage Vinyl Fencing, "Advantage Adjustable Post Socket, Install Instructions" Product Brochure of Advantage Vinyl Fencing Inc., available prior to Jan. 27, 2009, online: [http://www.advantagevinylfencing.com/\\_mndata/advantage/uploaded\\_images/107766.jpg](http://www.advantagevinylfencing.com/_mndata/advantage/uploaded_images/107766.jpg), 1 page.

Advantage Vinyl Fencing, "Advantage Adjustable Post Socket, Install Instructions (continued)" Product Brochure of Advantage Vinyl Fencing Inc., available prior to Jan. 27, 2009, online [http://www.advantagevinylfencing.com/\\_mndata/advantage/uploaded\\_images/107765.jpg](http://www.advantagevinylfencing.com/_mndata/advantage/uploaded_images/107765.jpg), 2 pages.

Erie Creek, "6 Ft High White Full Privacy Fence", Product Brochure of Erie Creek Building Products Inc., available as early as 2007, online: [http://www.ezeevinylfence.com/\\_Summer\\_Sale\\_2007.html](http://www.ezeevinylfence.com/_Summer_Sale_2007.html), 7 pages.

\* cited by examiner

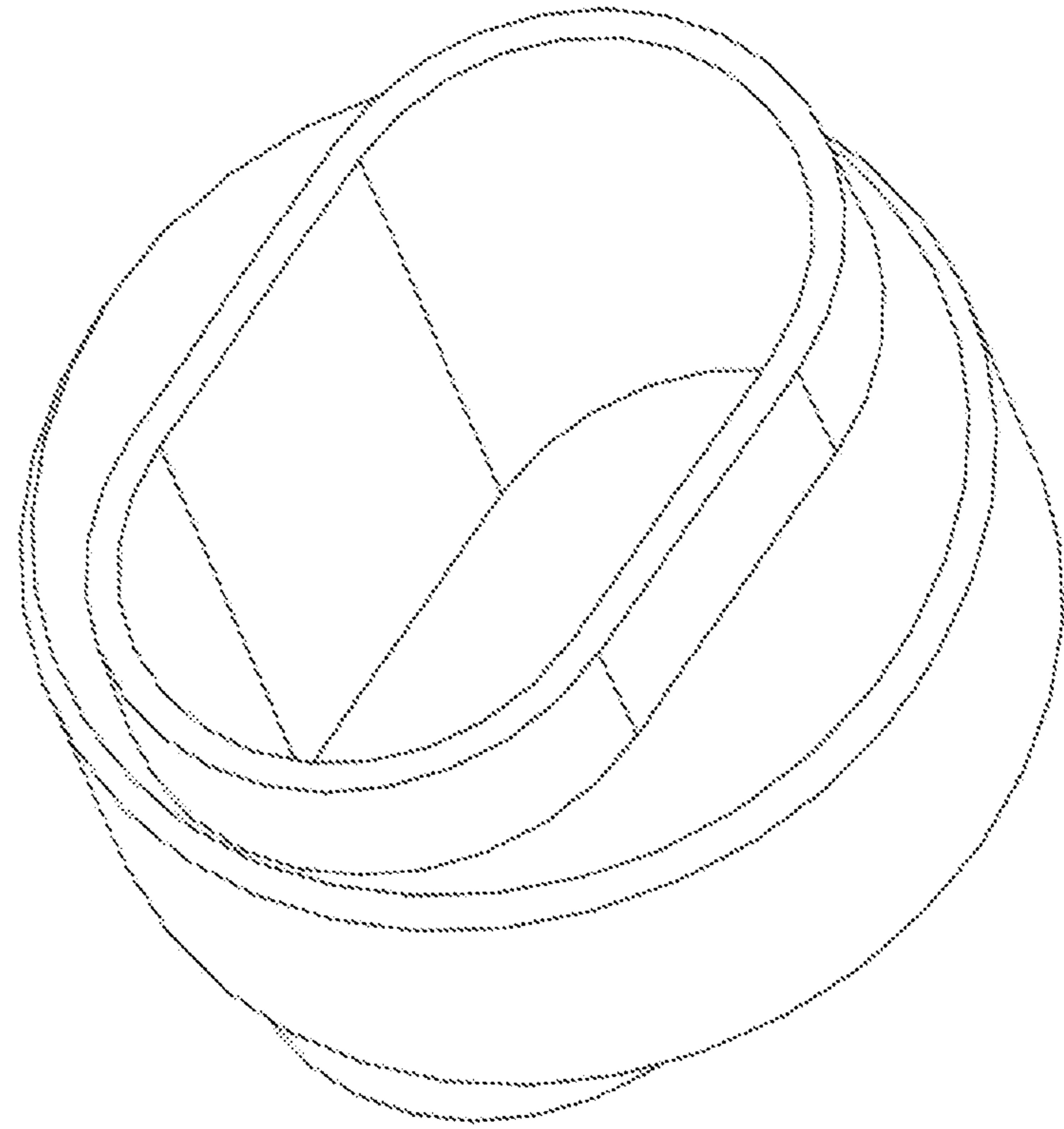


FIG. 1

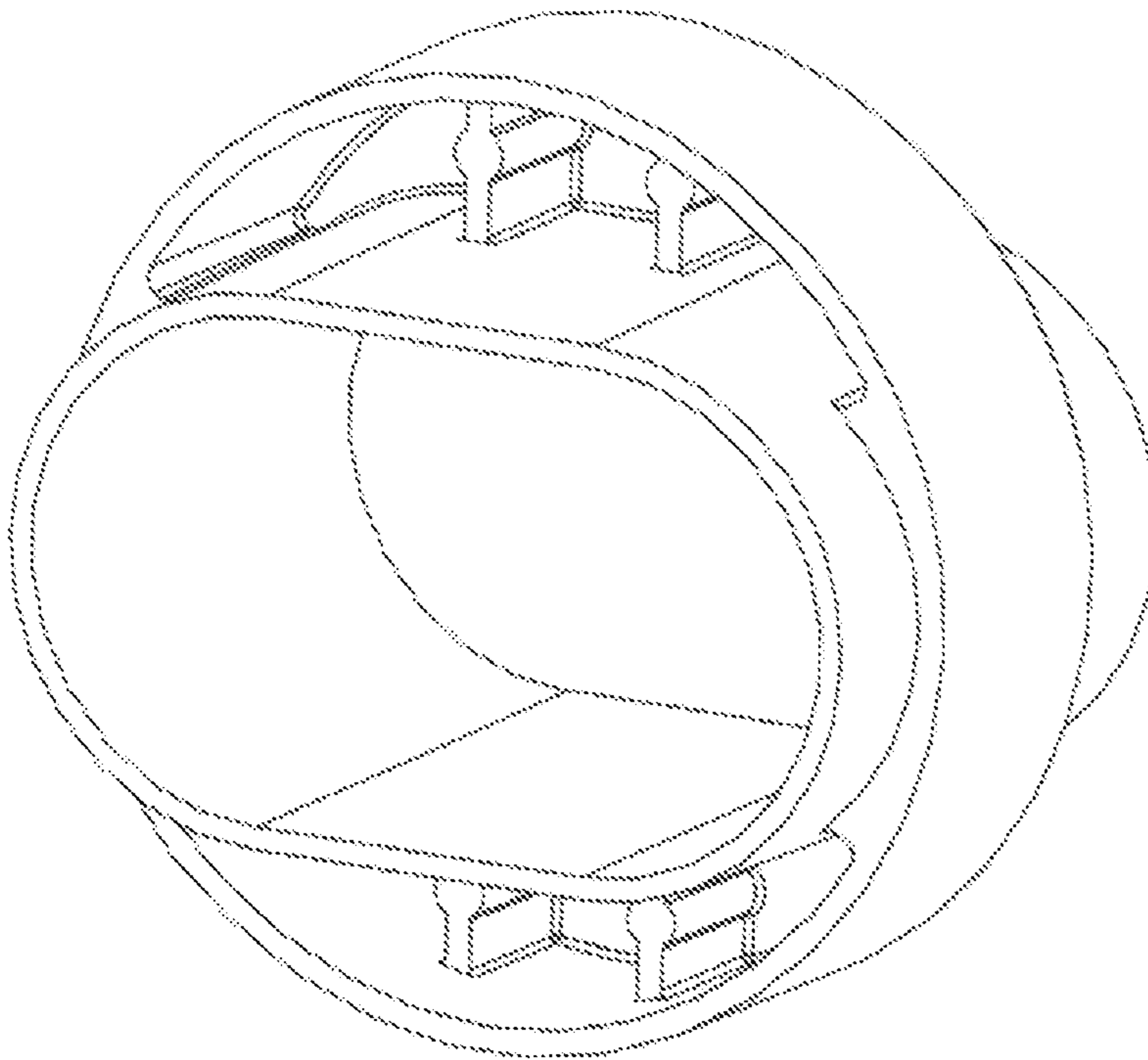


FIG. 2

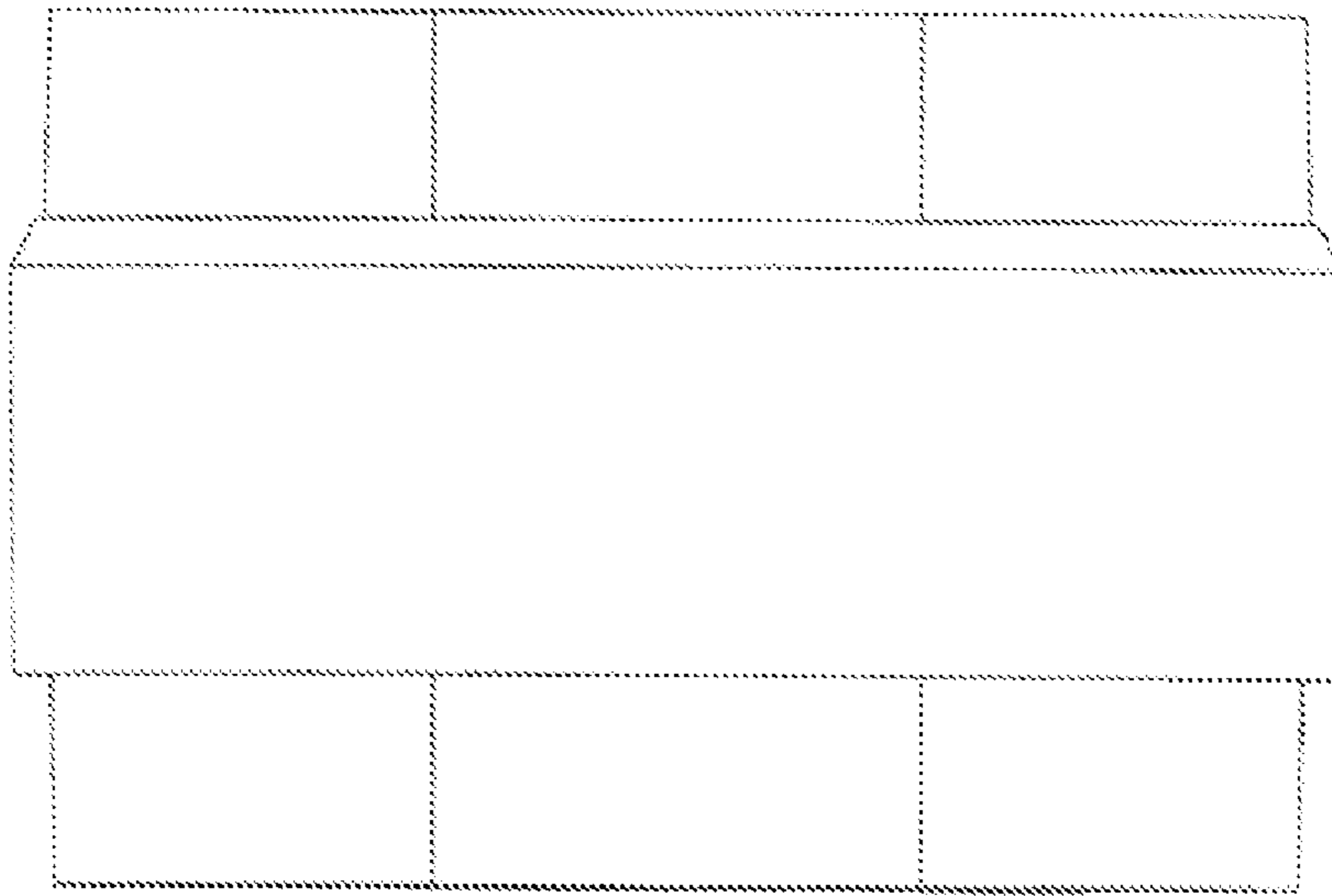


FIG. 3

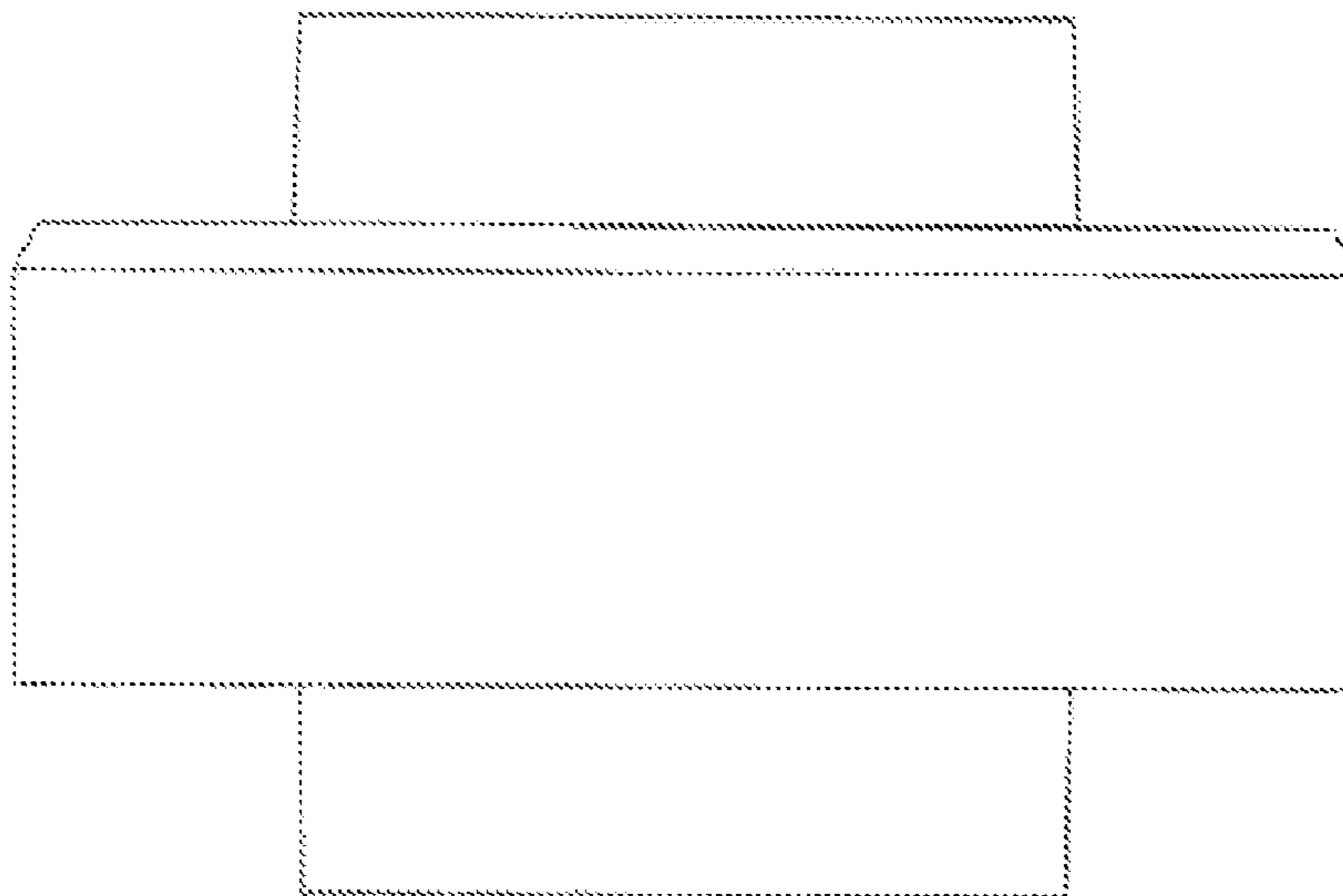


FIG. 4

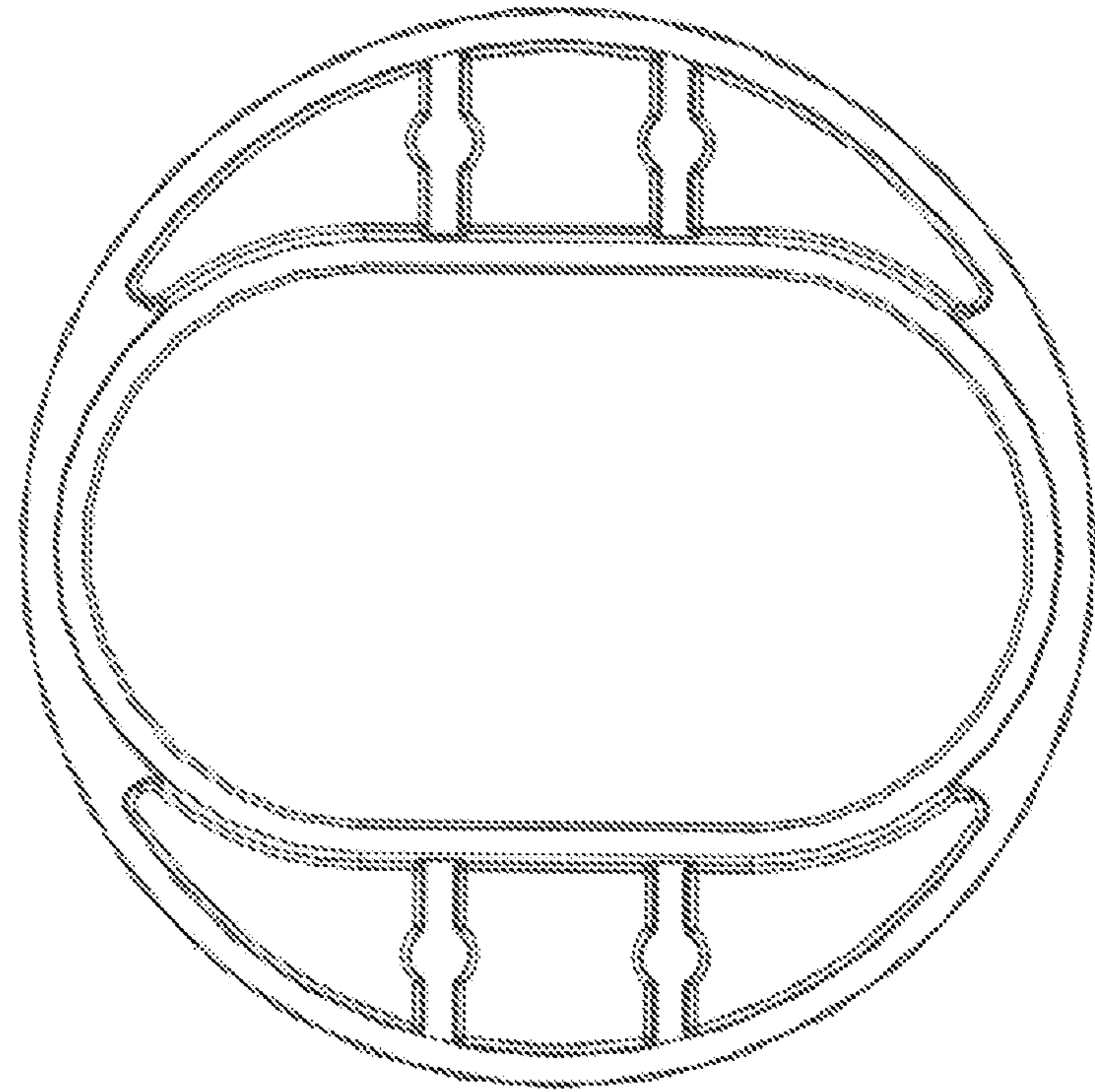


FIG. 5

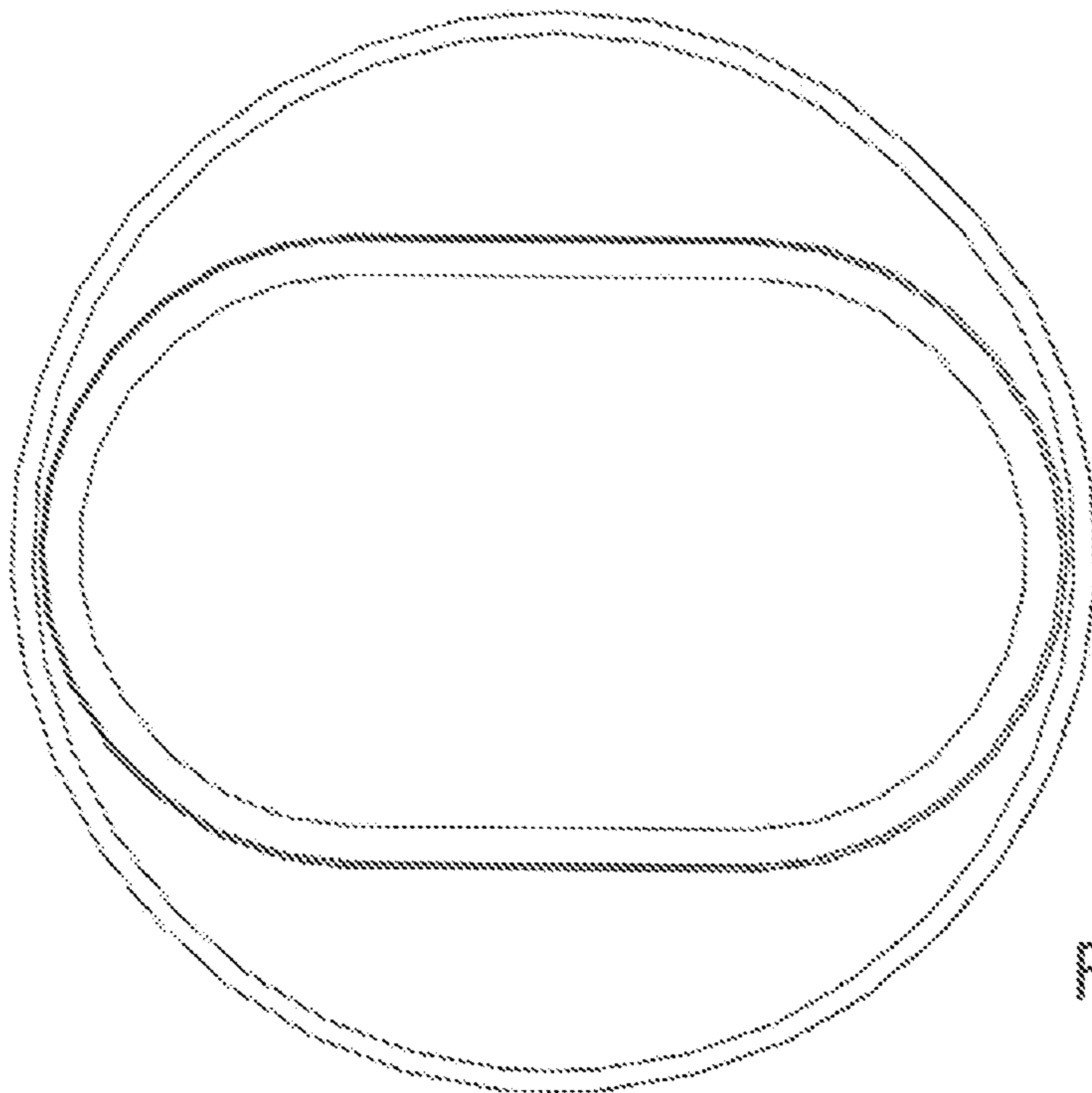


FIG. 6