



US00D630083S

(12) **United States Design Patent**
Zhang

(10) **Patent No.:** **US D630,083 S**

(45) **Date of Patent:** **** Jan. 4, 2011**

(54) **LEVER**

(75) Inventor: **Tony Zhang**, Xiamen (CN)

(73) Assignee: **Newfrey LLC**, Newark, DE (US)

(**) Term: **14 Years**

(21) Appl. No.: **29/345,389**

(22) Filed: **Oct. 15, 2009**

(51) **LOC (9) Cl.** **08-06**

(52) **U.S. Cl.** **D8/308**

(58) **Field of Classification Search** D8/308,
D8/307, 301, 300; D23/250, 252, 254; 16/110.1,
16/412, 422; 292/336.3, 347, DIG. 30; 4/675,
4/676, 677, 678

See application file for complete search history.

(56) **References Cited**

U.S. PATENT DOCUMENTS

D131,217 S *	1/1942	Braun	D8/308
D320,335 S *	10/1991	Bengtson	D8/308
D348,307 S *	6/1994	Gottwald	D23/252
D444,853 S *	7/2001	Lord	D23/252
D457,048 S *	5/2002	Zoerner et al.	D8/308
D458,346 S *	6/2002	Mullenmeister	D23/252
D472,307 S *	3/2003	Blomstrom	D23/252
D477,057 S *	7/2003	Schonherr et al.	D23/252
D507,038 S *	7/2005	Spangler	D23/252
D509,421 S *	9/2005	Gehry	D8/300
D517,174 S *	3/2006	Singtoroj	D23/252
D557,585 S *	12/2007	Linares	D8/308
D581,489 S *	11/2008	Painter	D23/252
D593,840 S *	6/2009	Roberts, III	D8/308

D594,730 S * 6/2009 Sedwick D8/308

* cited by examiner

Primary Examiner—Paula Greene

(74) *Attorney, Agent, or Firm*—Richard J. Veltman; John D. DelPonti

(57) **CLAIM**

The ornamental design for a lever, as shown and described.

DESCRIPTION

FIG. 1 is a perspective view of a lever showing my new design;

FIG. 2 is a front view thereof, the back view being a mirror image;

FIG. 3 is a top view thereof;

FIG. 4 is a bottom view thereof;

FIG. 5 is a right side view thereof;

FIG. 6 is a left side view thereof;

FIG. 7 is a perspective view of a second embodiment of a lever showing my new design;

FIG. 8 is a front view thereof, the back view being a mirror image;

FIG. 9 is a top view thereof;

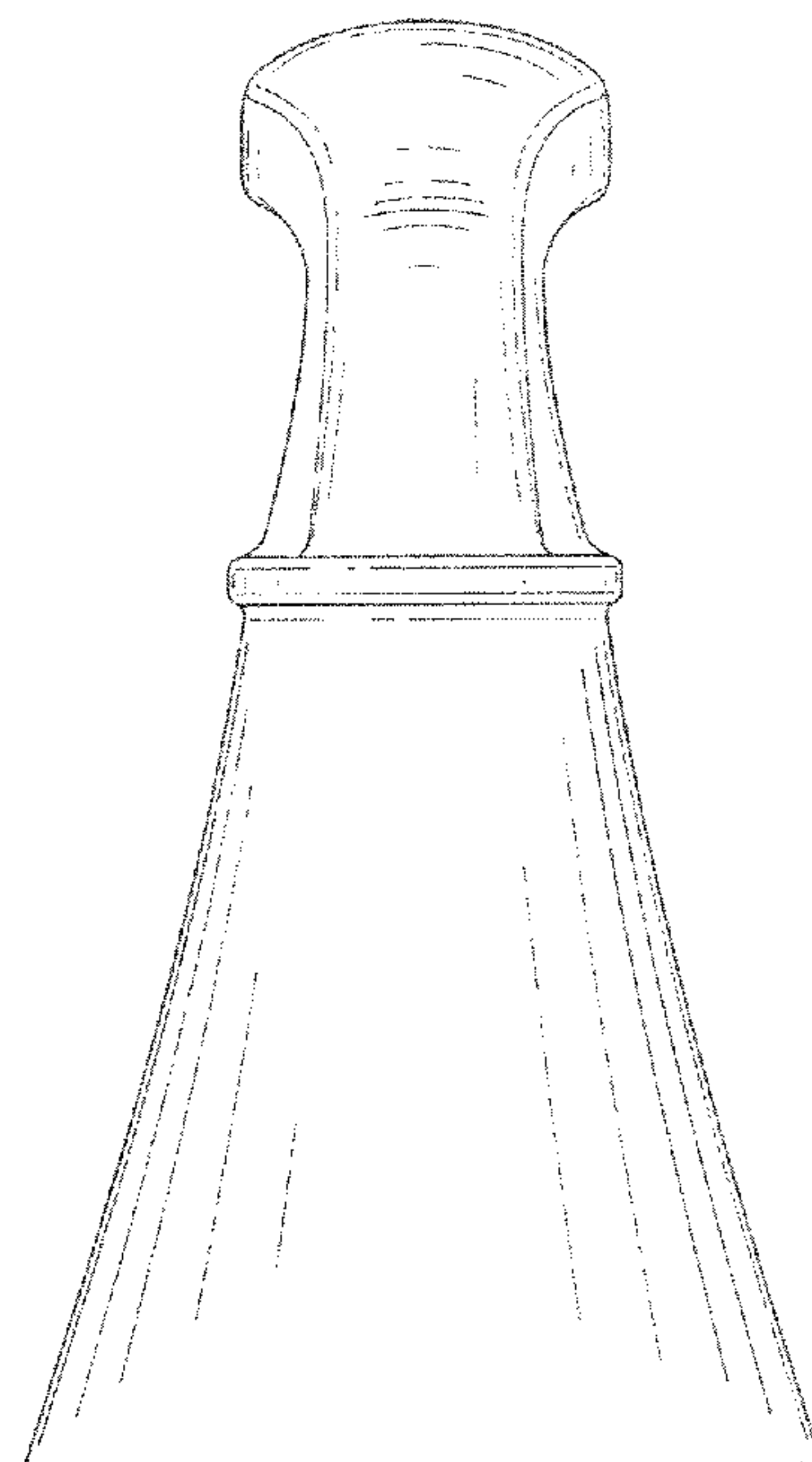
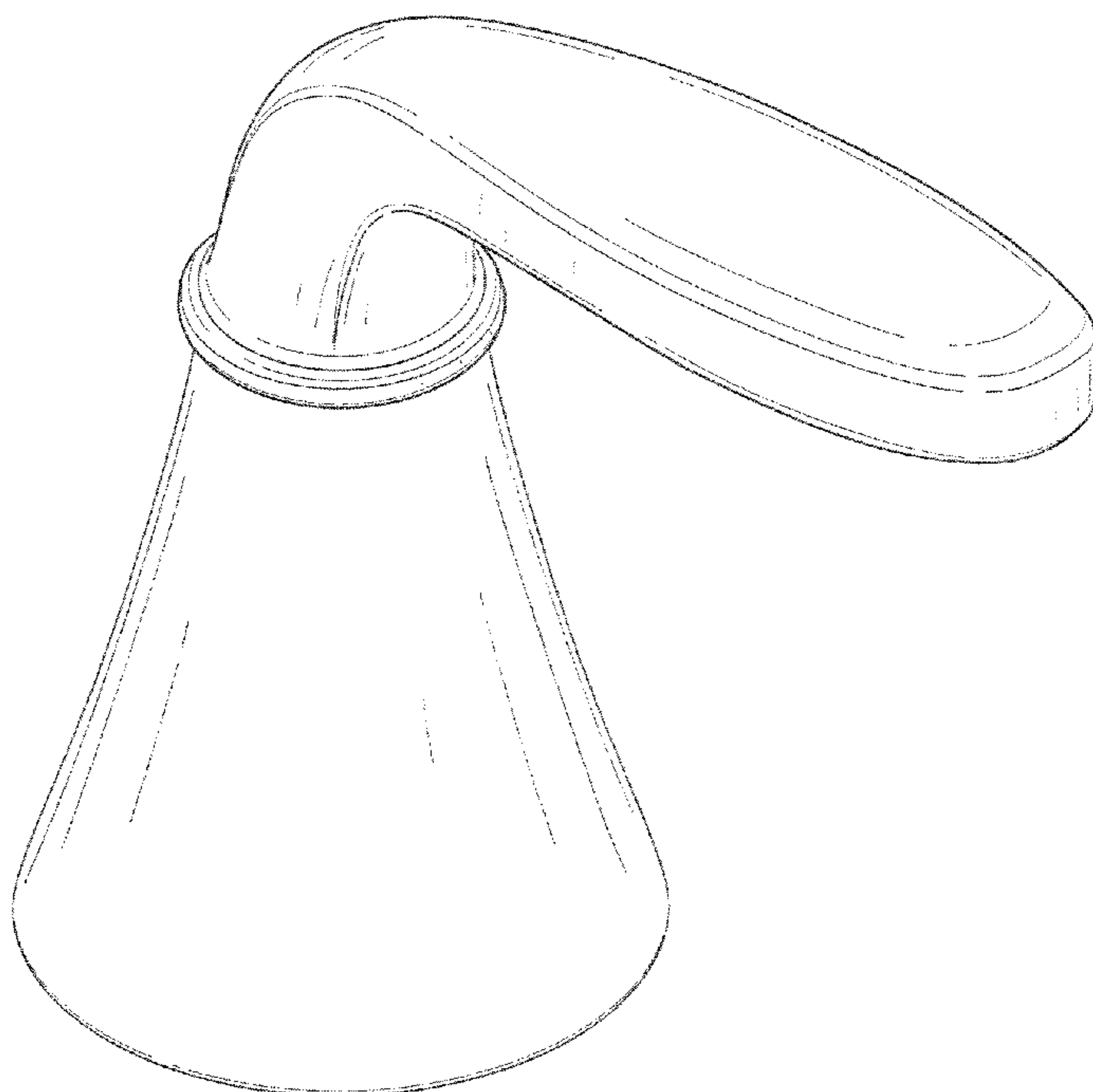
FIG. 10 is a bottom view thereof;

FIG. 11 is a right side view thereof; and,

FIG. 12 is a left side view thereof.

The broken lines form no part of the claimed design.

1 Claim, 9 Drawing Sheets



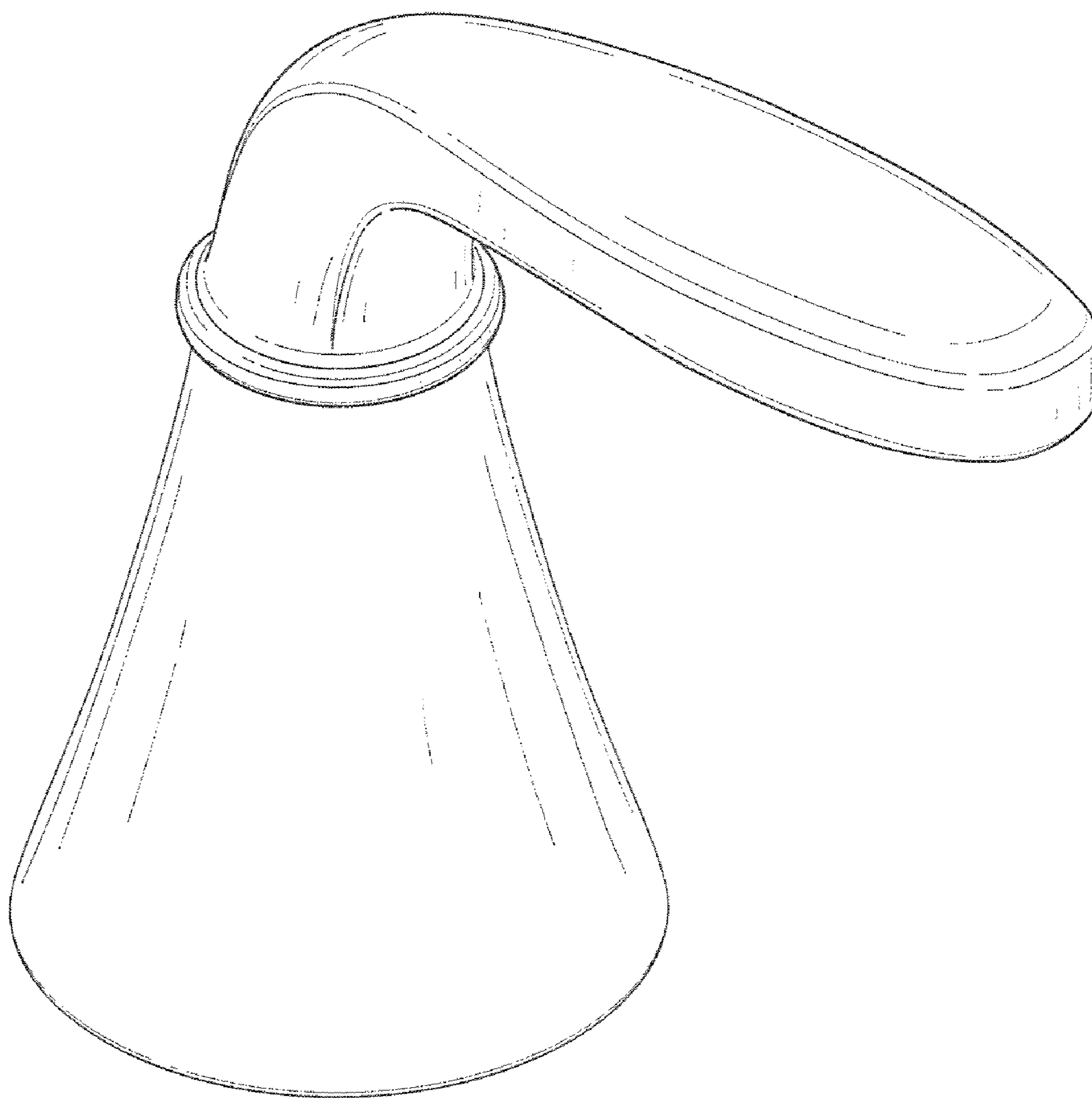


FIG. 1

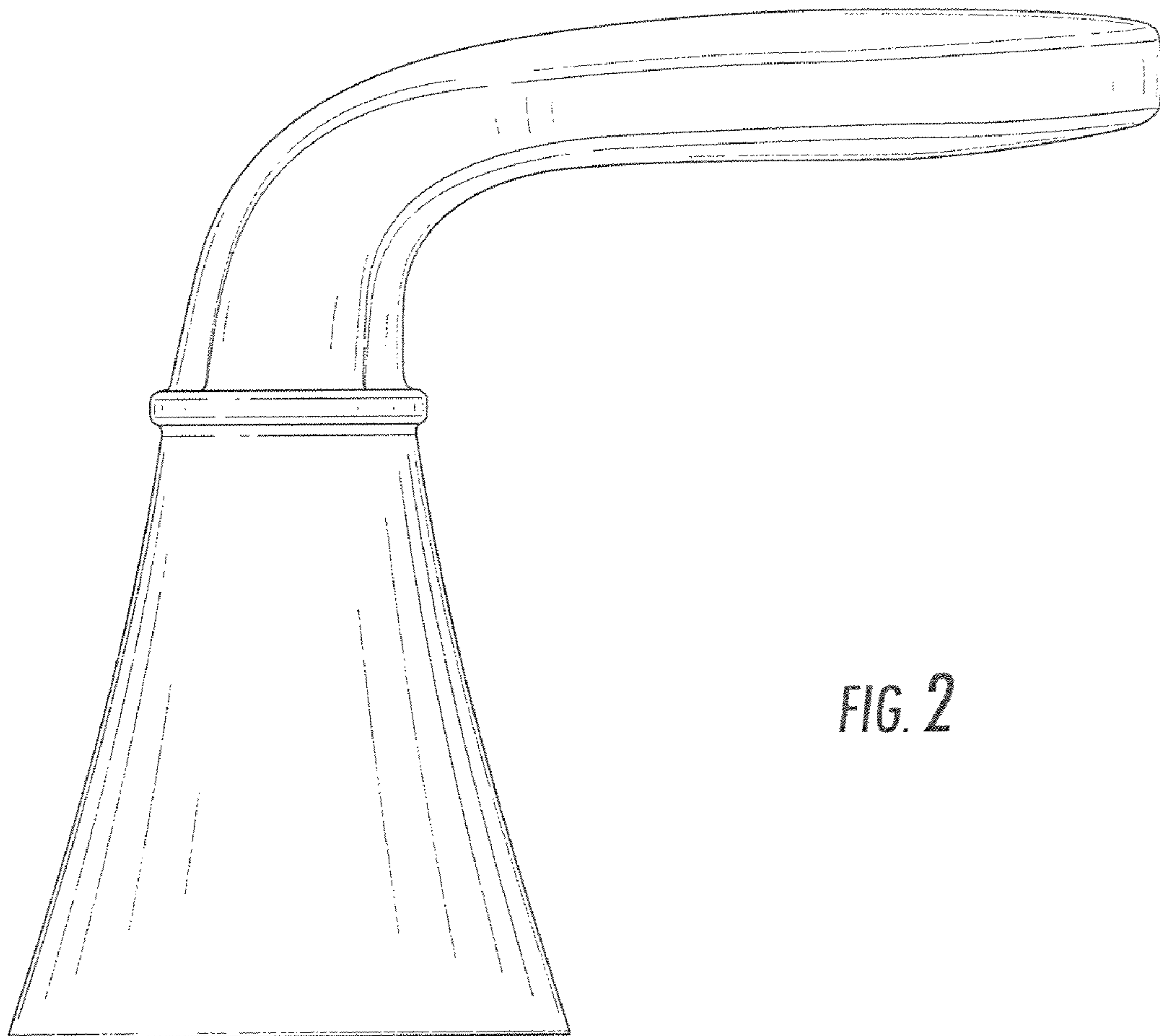


FIG. 2

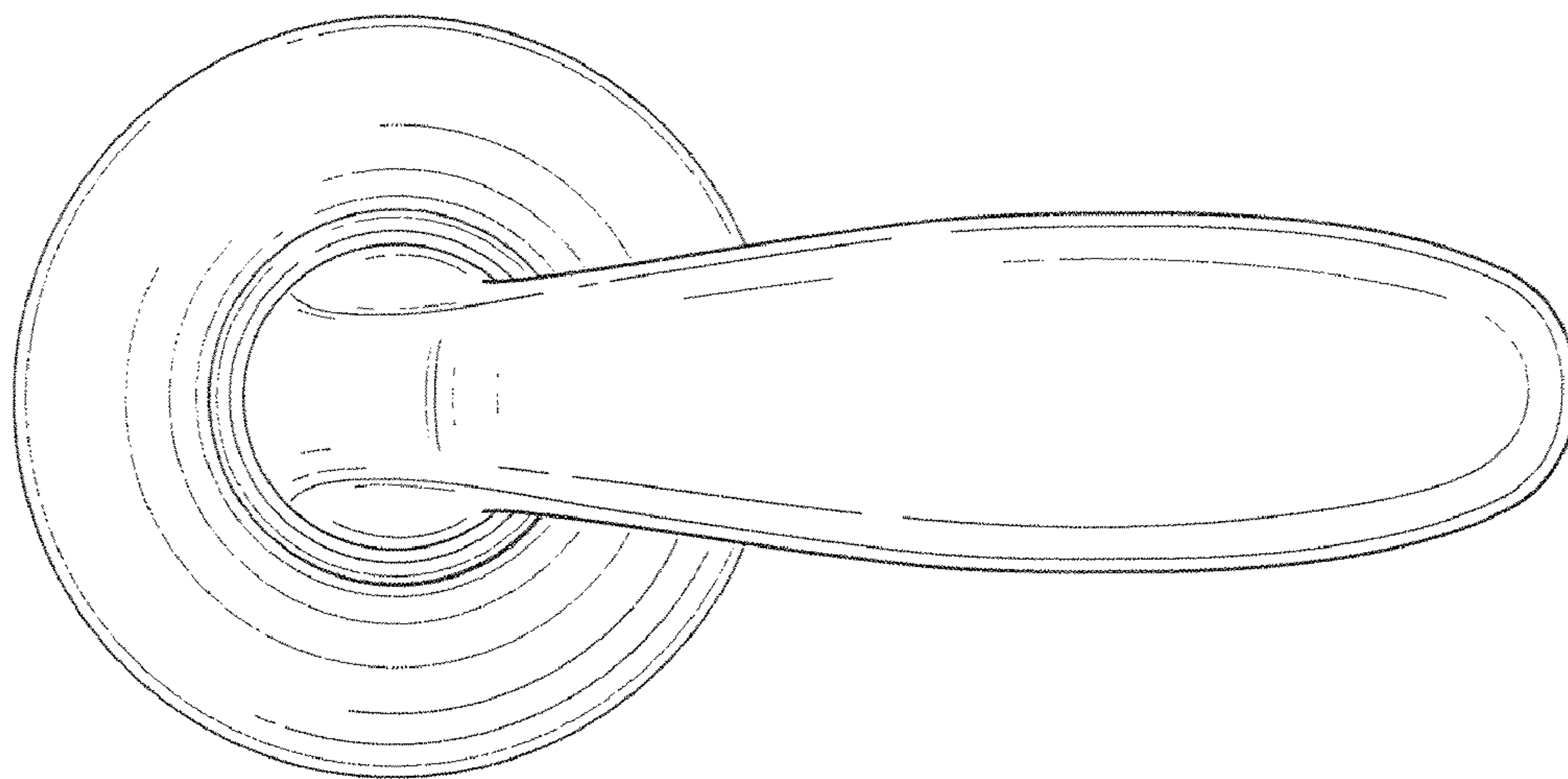


FIG. 3

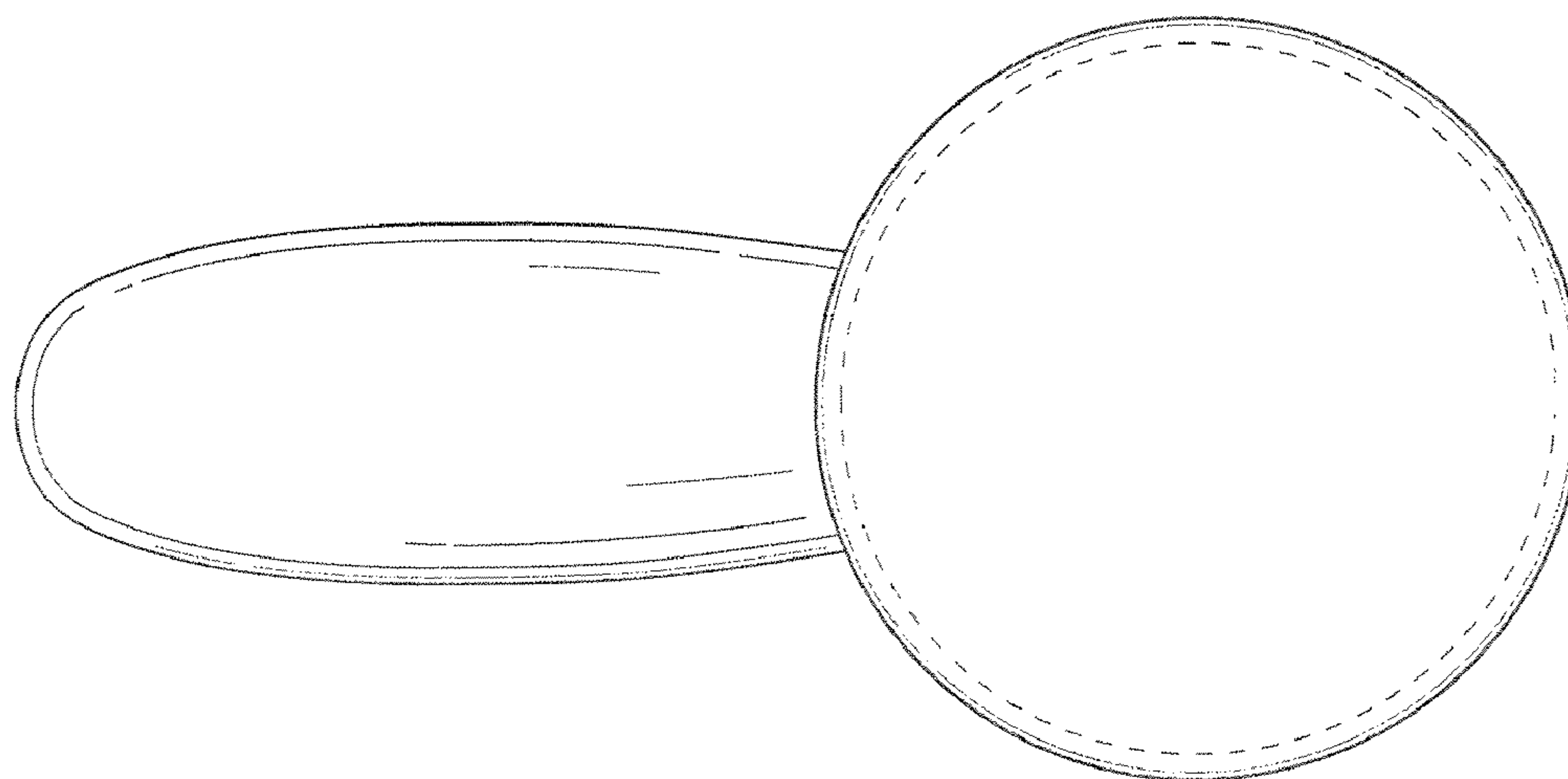


FIG. 4

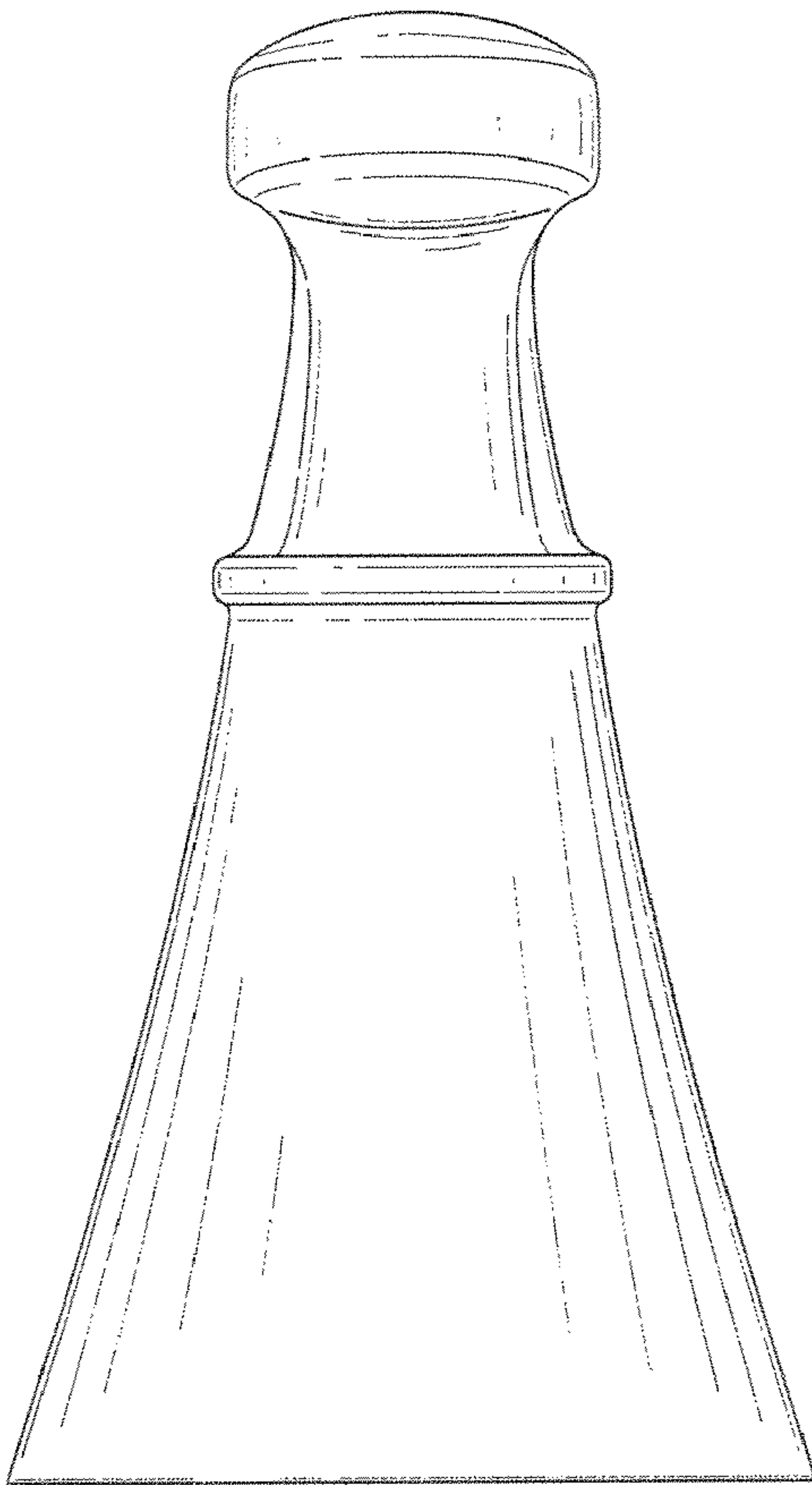


FIG. 5

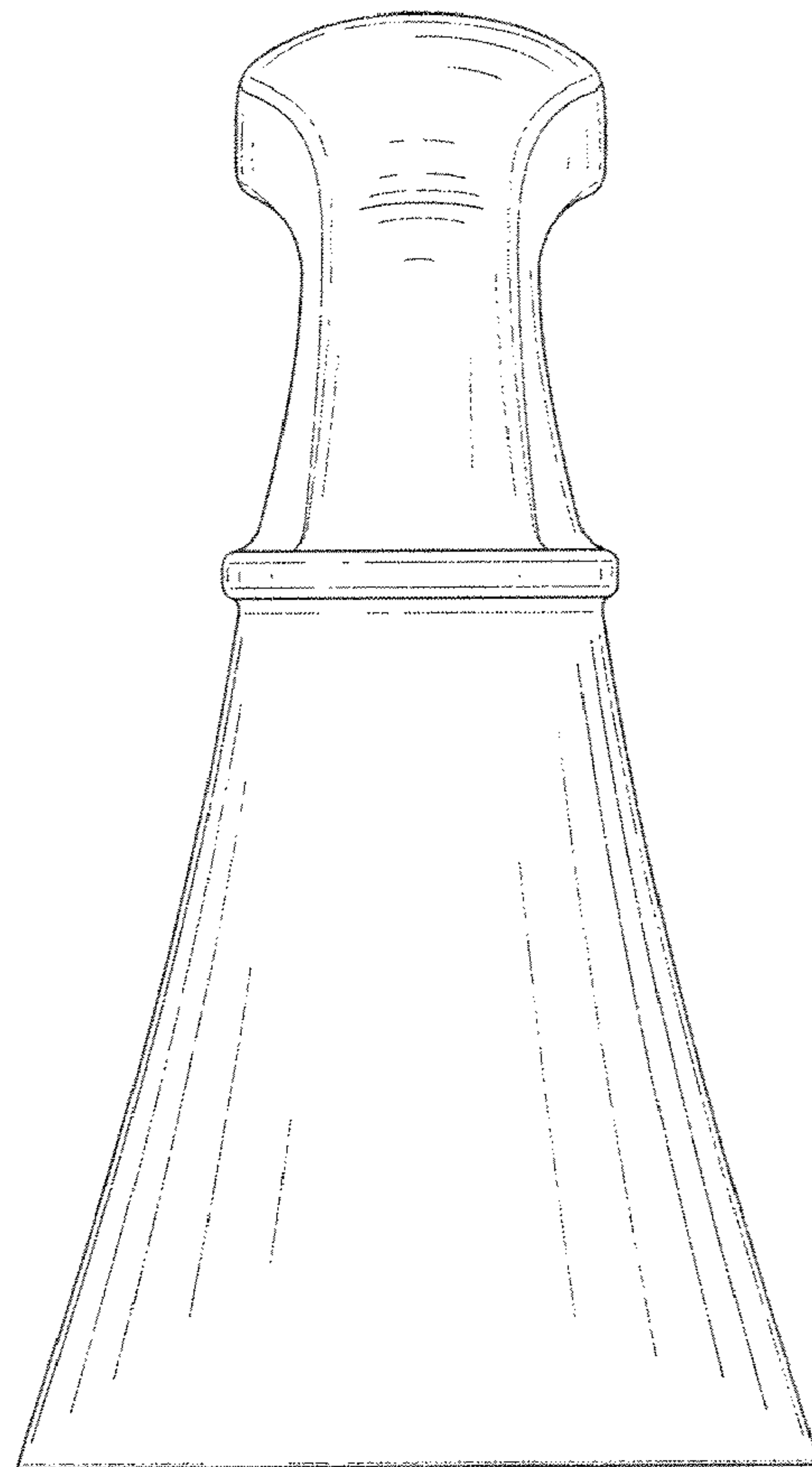


FIG. 6



FIG. 7

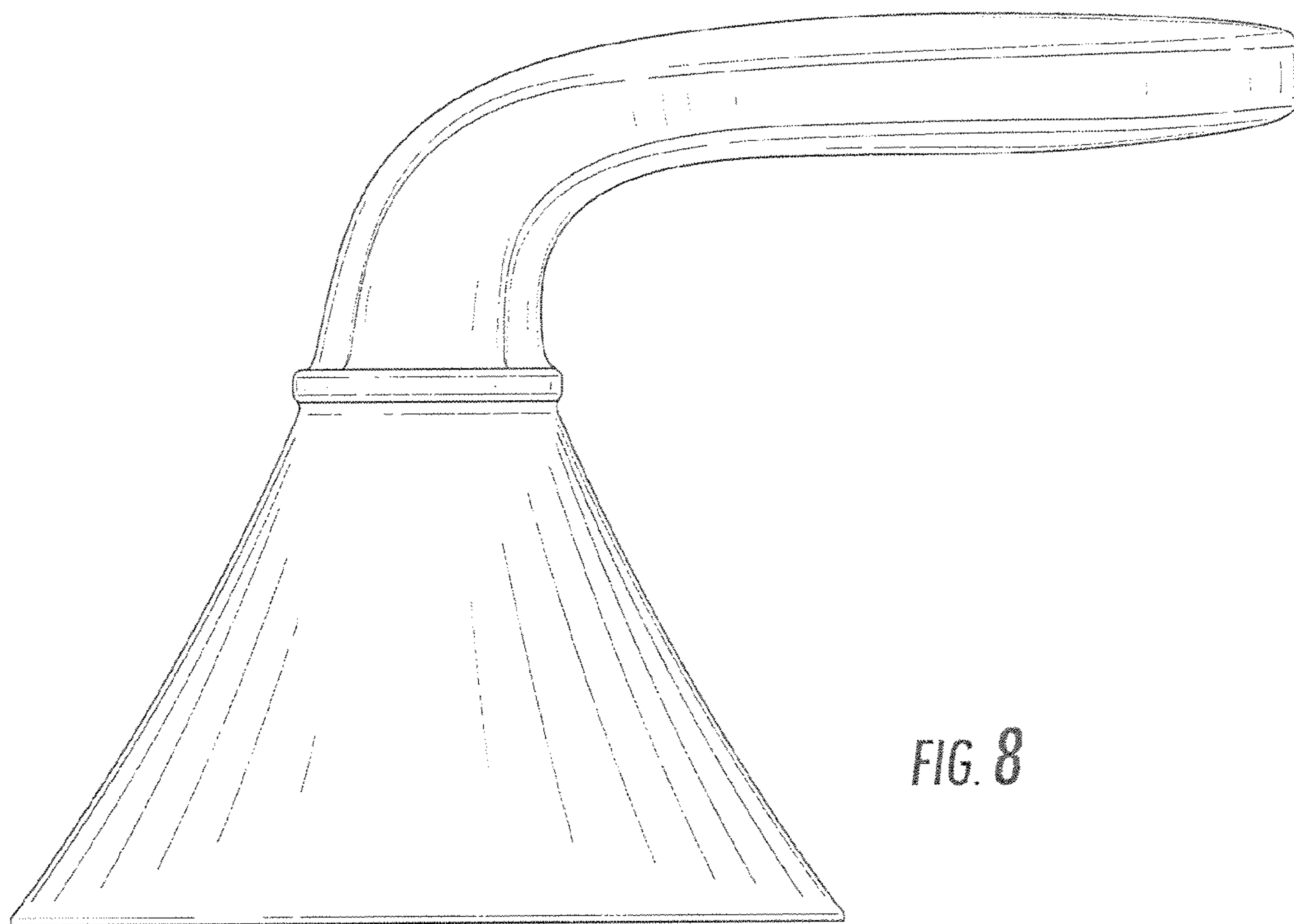


FIG. 8

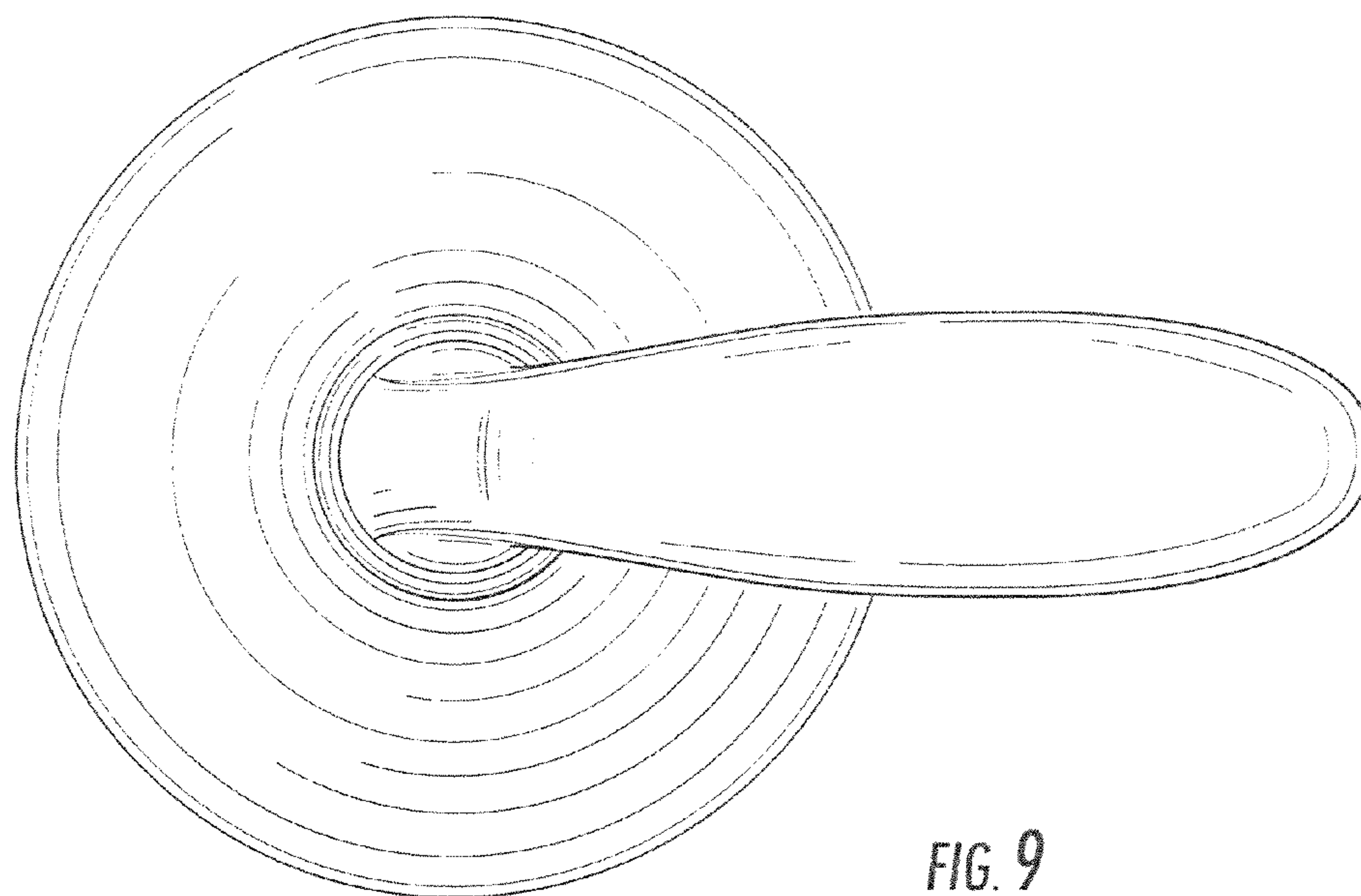


FIG. 9

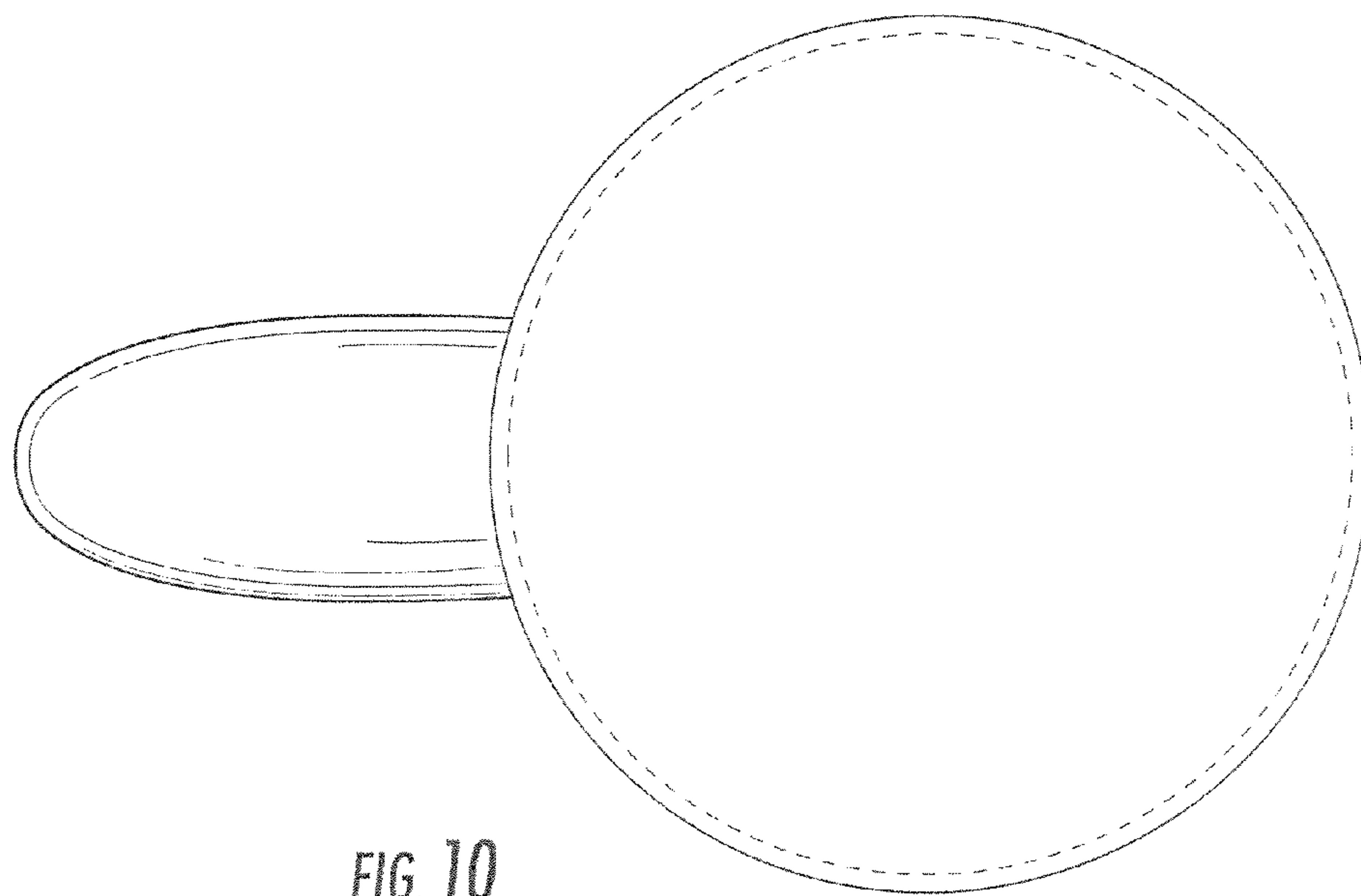


FIG. 10

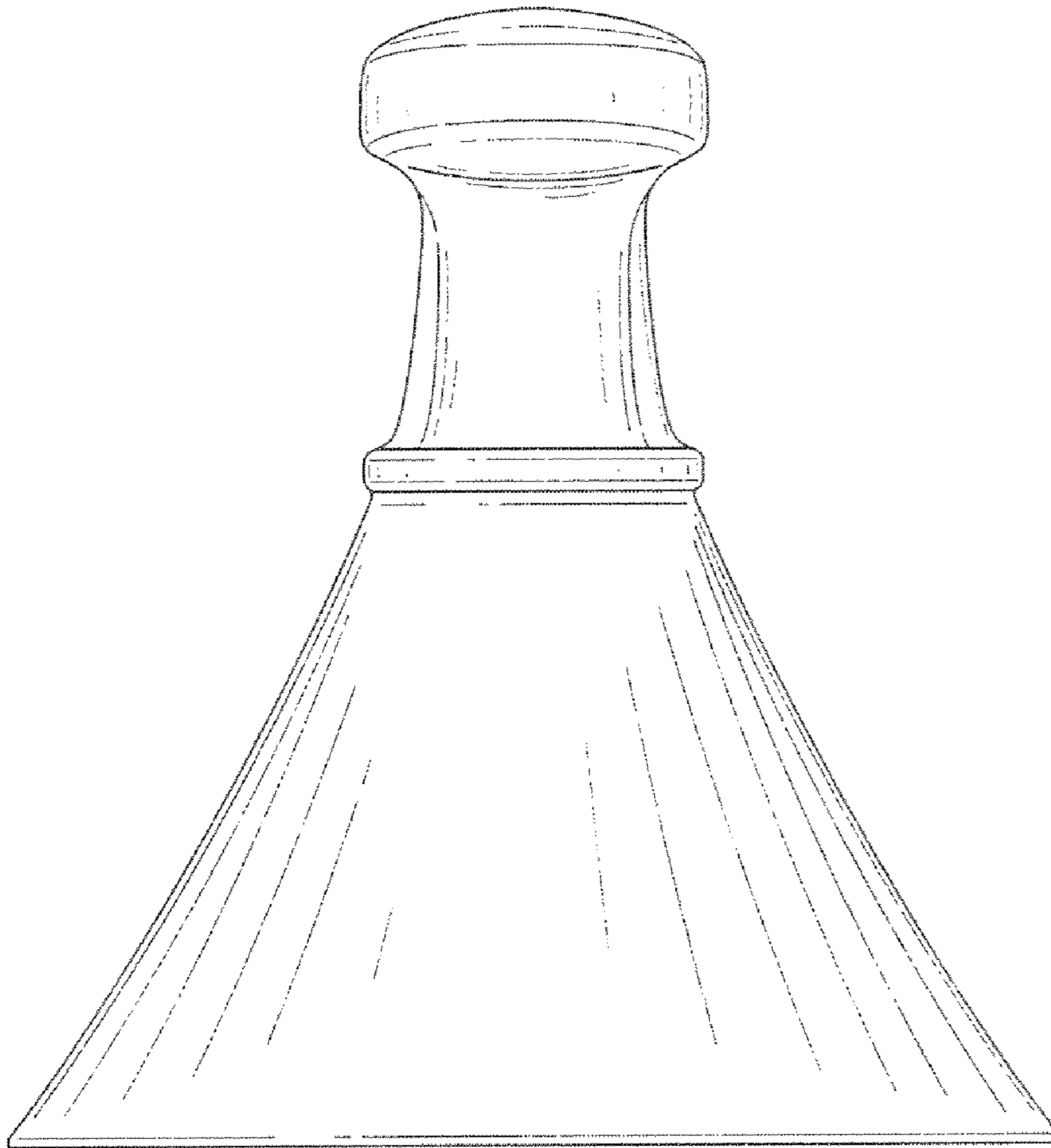


FIG. 11

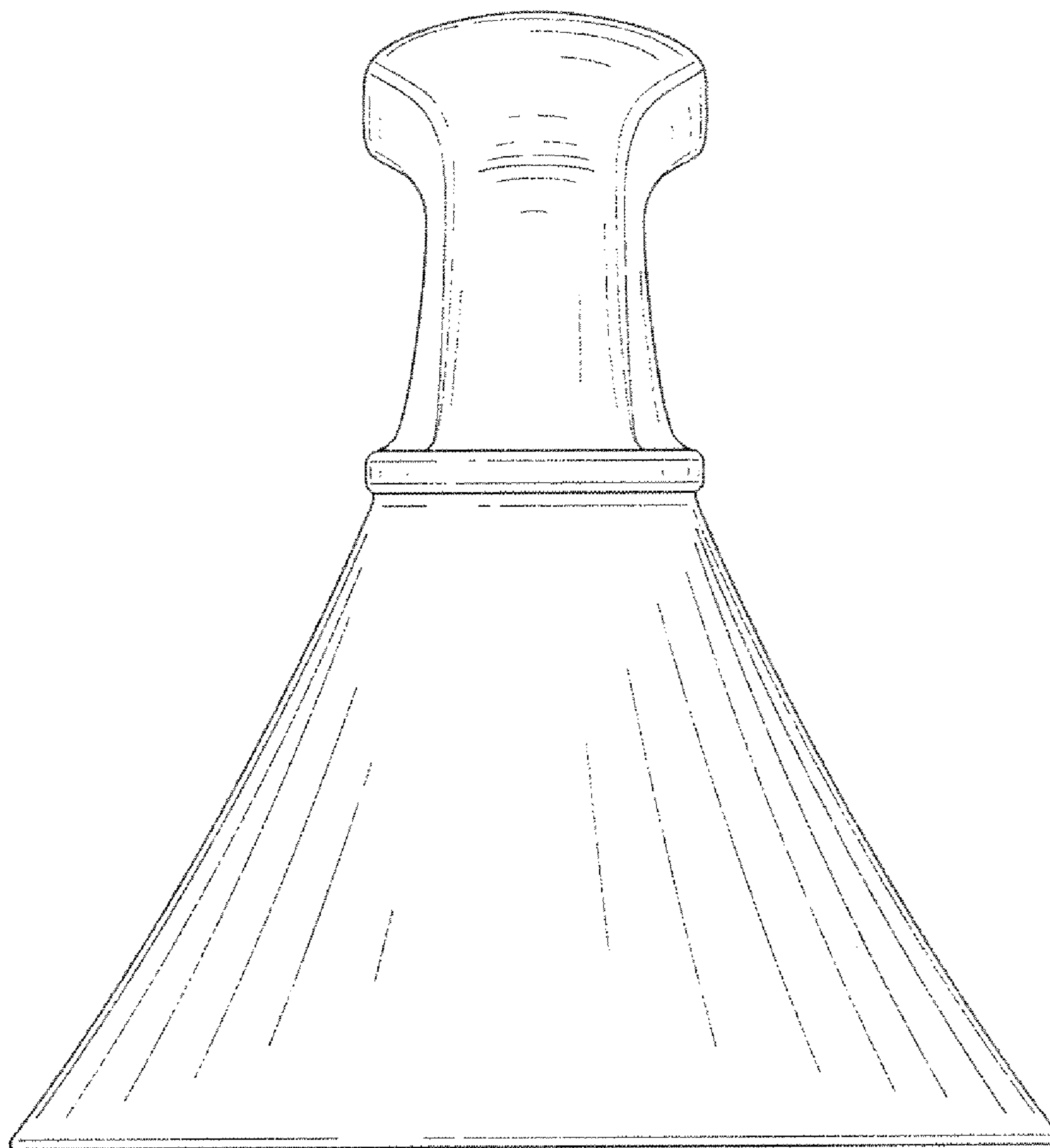


FIG. 12