



US00D630078S

(12) **United States Design Patent**
Kufner et al.

(10) **Patent No.:** **US D630,078 S**
(45) **Date of Patent:** **** Jan. 4, 2011**

(54) **TILE ALIGNMENT AND LEVELING DEVICE**

(75) Inventors: **Edward A Kufner**, Fairfield, IA (US);
Michele Volponi, Fairfield, IA (US)

(73) Assignee: **Tuscan Leveling, Inc.**, Fairfield, IA (US)

(**) Term: **14 Years**

(21) Appl. No.: **29/359,027**

(22) Filed: **Apr. 5, 2010**

(51) **LOC (9) Cl.** **08-08**

(52) **U.S. Cl.** **D8/105**

(58) **Field of Classification Search** D8/105,
D8/14, 51, 52, 89, 81, 76, 356, 354, 26; D10/64;
D34/35; D6/349; D25/199; 33/527, 526;
428/98, 64.1; 52/392, 389, 749.11
See application file for complete search history.

(56) **References Cited**

U.S. PATENT DOCUMENTS

D240,708 S *	7/1976	Ilukowicz	D25/199
D334,133 S *	3/1993	Hartzheim	D8/354
5,288,534 A *	2/1994	Tavshanjian	428/64.1
5,359,783 A *	11/1994	Smith	33/527
D382,180 S *	8/1997	Chuang	D8/26
D466,380 S *	12/2002	Dickson	D8/14
D492,210 S *	6/2004	Shilo et al.	D10/64
D504,805 S *	5/2005	Sorkin	D8/356
D542,162 S *	5/2007	Skillings	D10/64

D561,501 S *	2/2008	Joseph	D6/500
D573,423 S *	7/2008	Simons	D8/14
7,536,802 B1 *	5/2009	Tavy et al.	33/527
D594,737 S *	6/2009	Kelly et al.	D8/354
D595,117 S *	6/2009	Sorkin	D8/354
7,698,831 B2 *	4/2010	Higgs et al.	33/526
2004/0060184 A1 *	4/2004	Shilo et al.	33/526

* cited by examiner

Primary Examiner—Austin Murphy

(74) *Attorney, Agent, or Firm*—Ryan N. Carter

(57) **CLAIM**

The ornamental design for a tile alignment and leveling device, as shown and described.

DESCRIPTION

FIG. 1 is a front perspective view of the device;

FIG. 2 is a first side view;

FIG. 3 is a second side view;

FIG. 4 is a third side view;

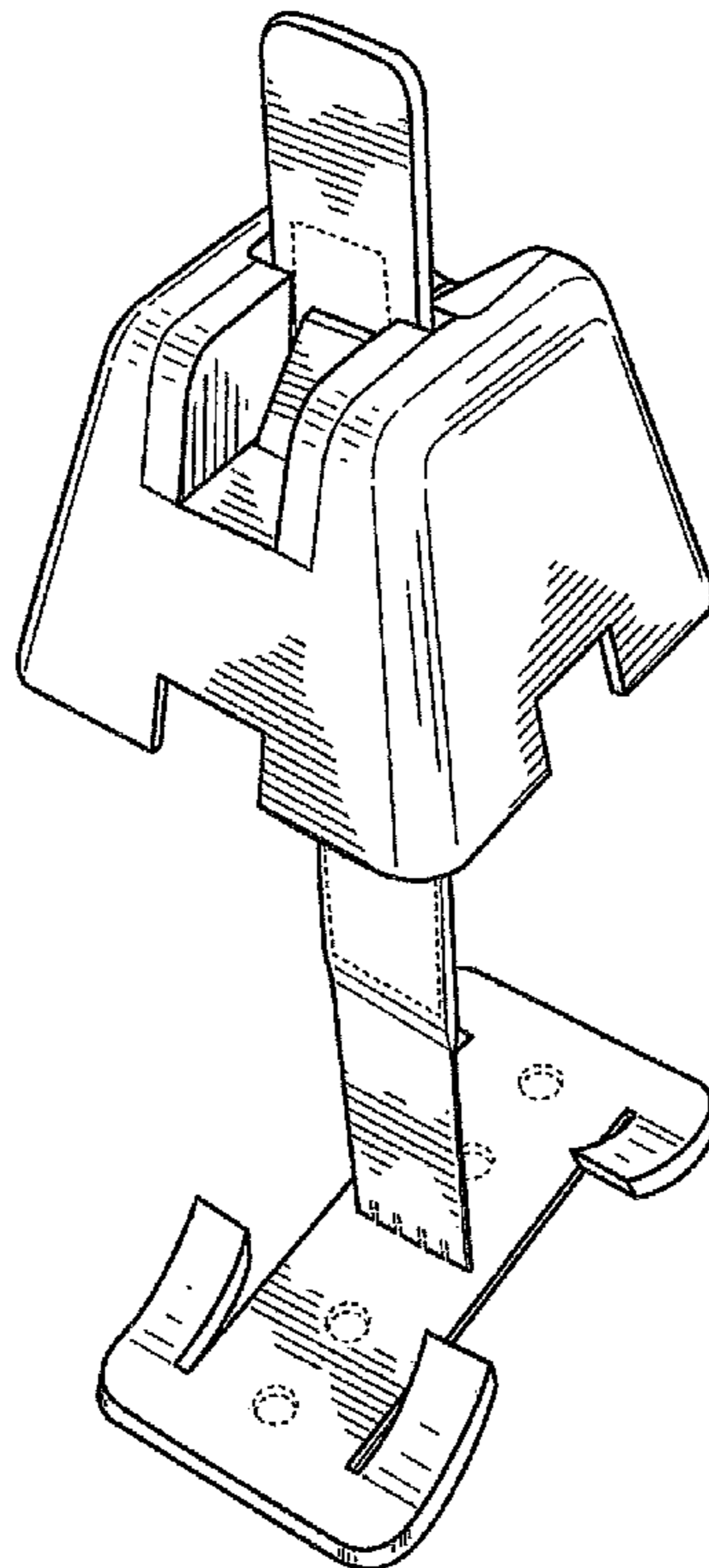
FIG. 5 is a fourth side view;

FIG. 6 is a top view; and,

FIG. 7 is a bottom view.

The broken lines shown in the drawings show portions of the tile alignment and leveling device that form no part of the claimed design.

1 Claim, 7 Drawing Sheets



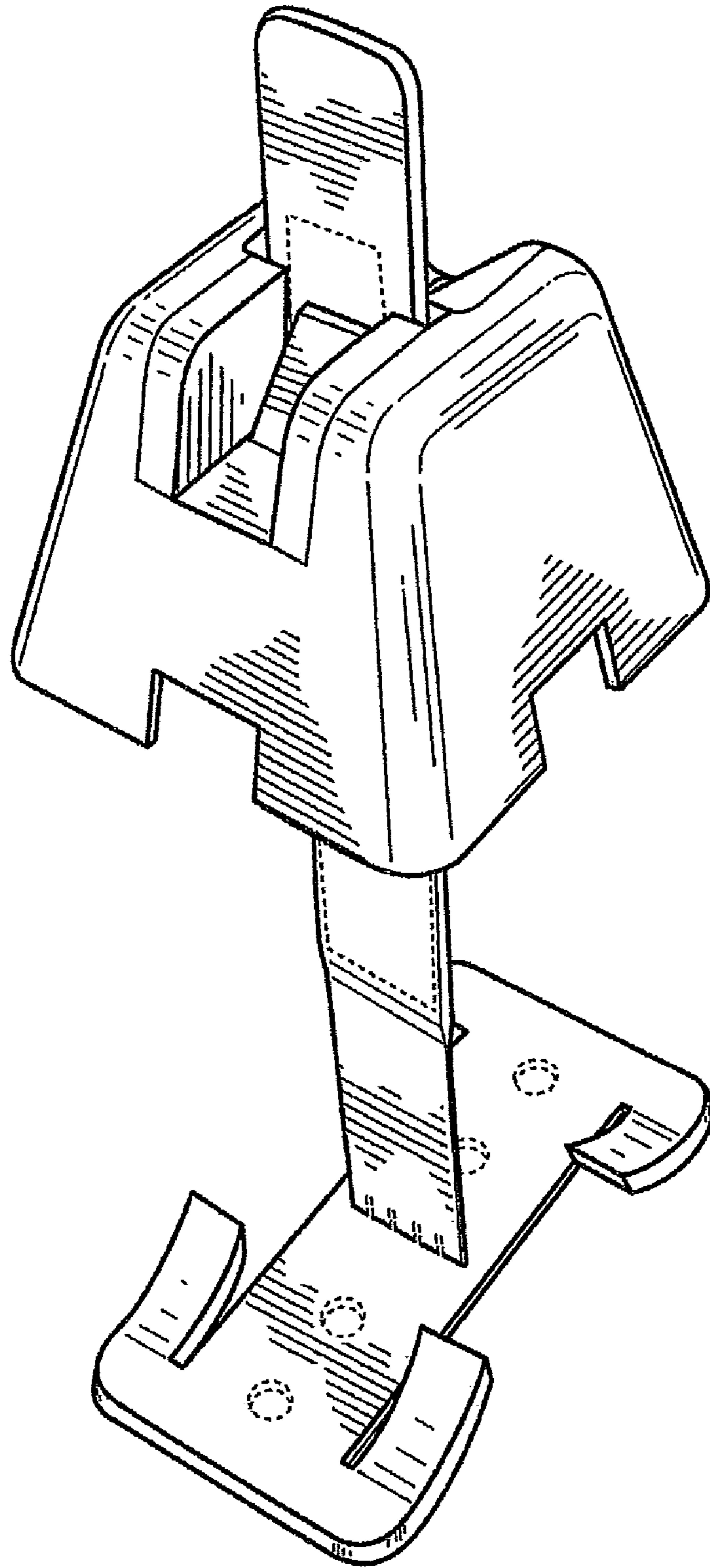


FIG. 1

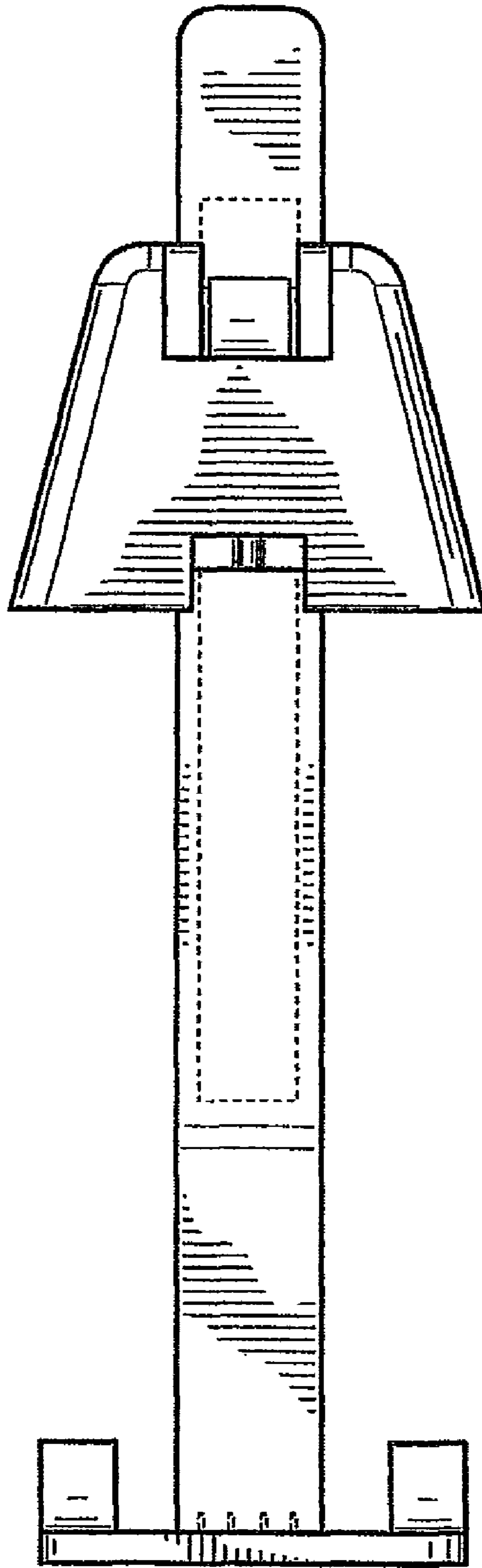


FIG. 2

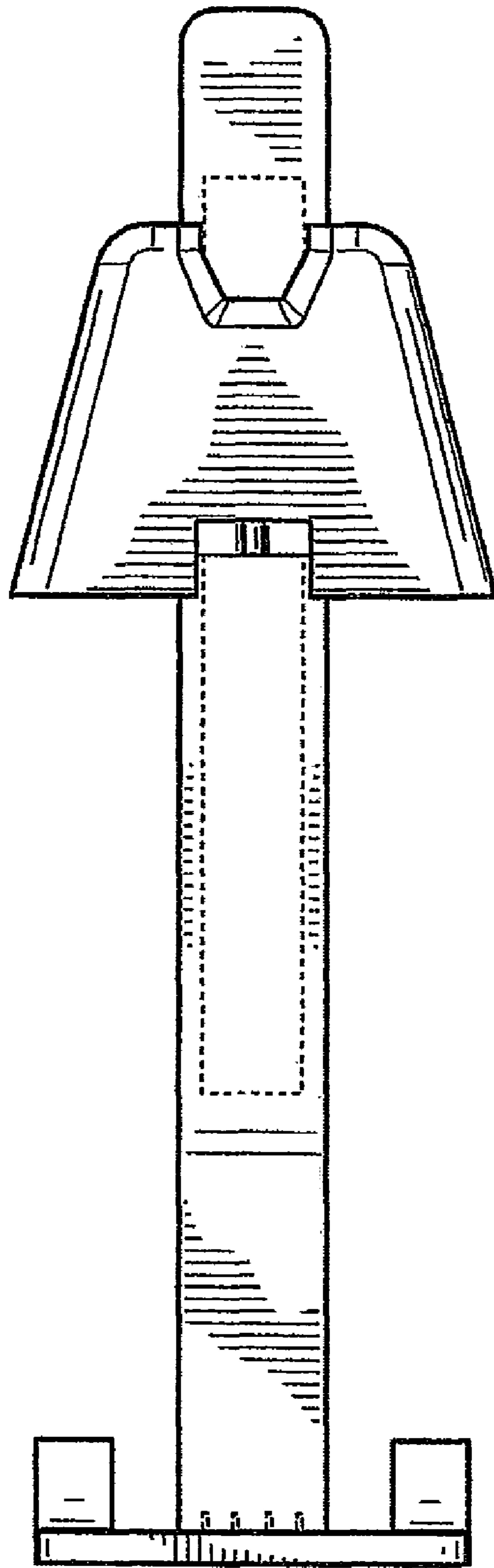


FIG. 3

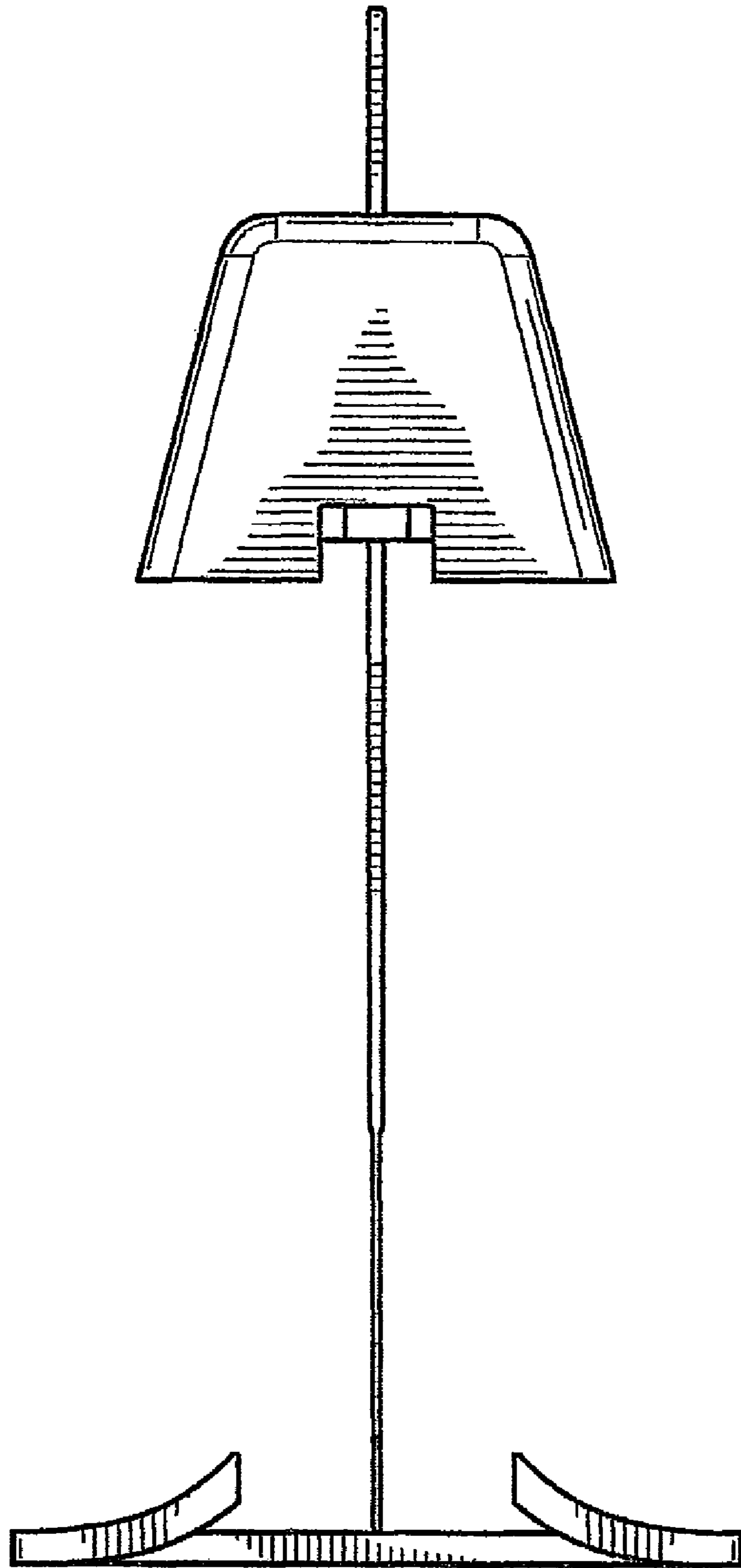


FIG. 4

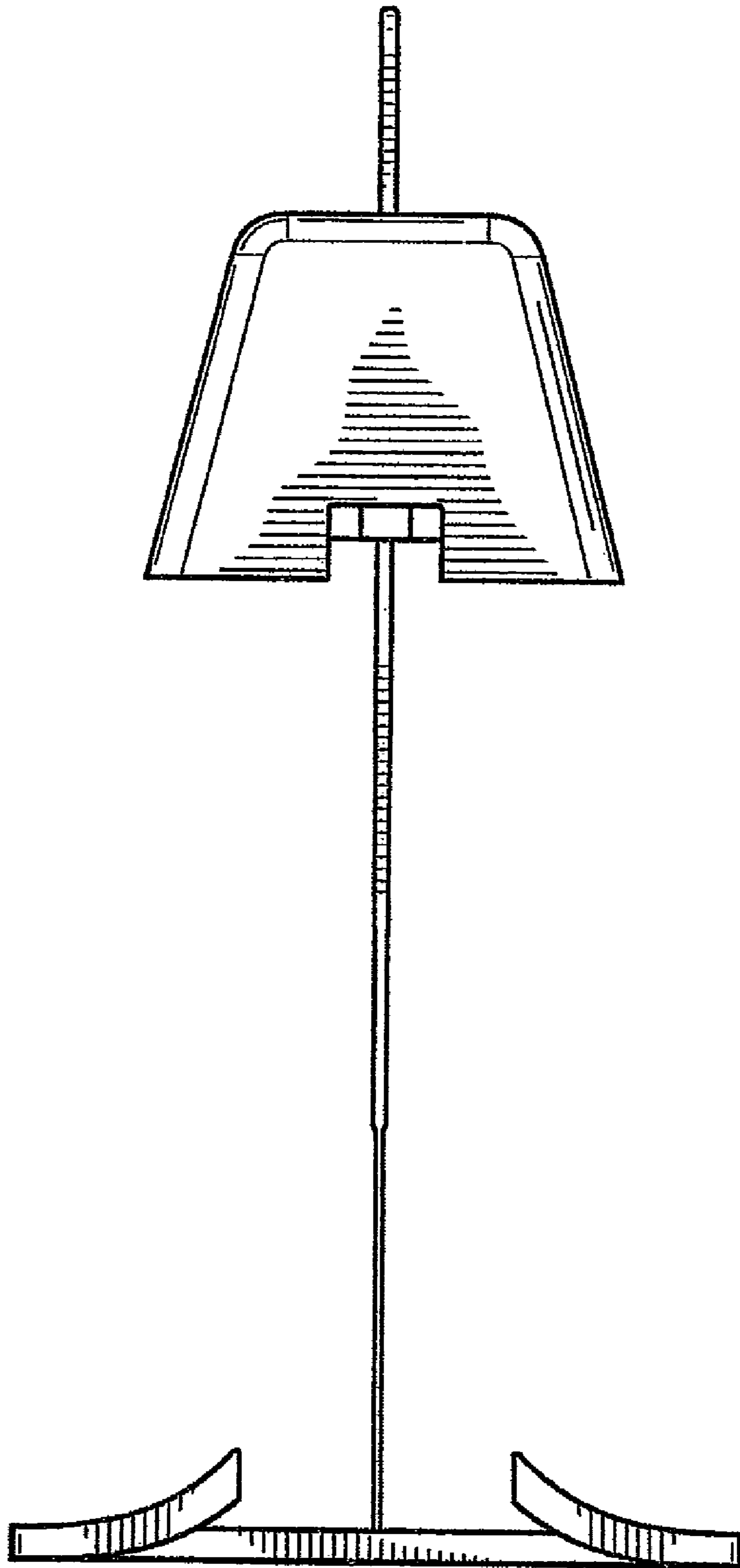


FIG. 5

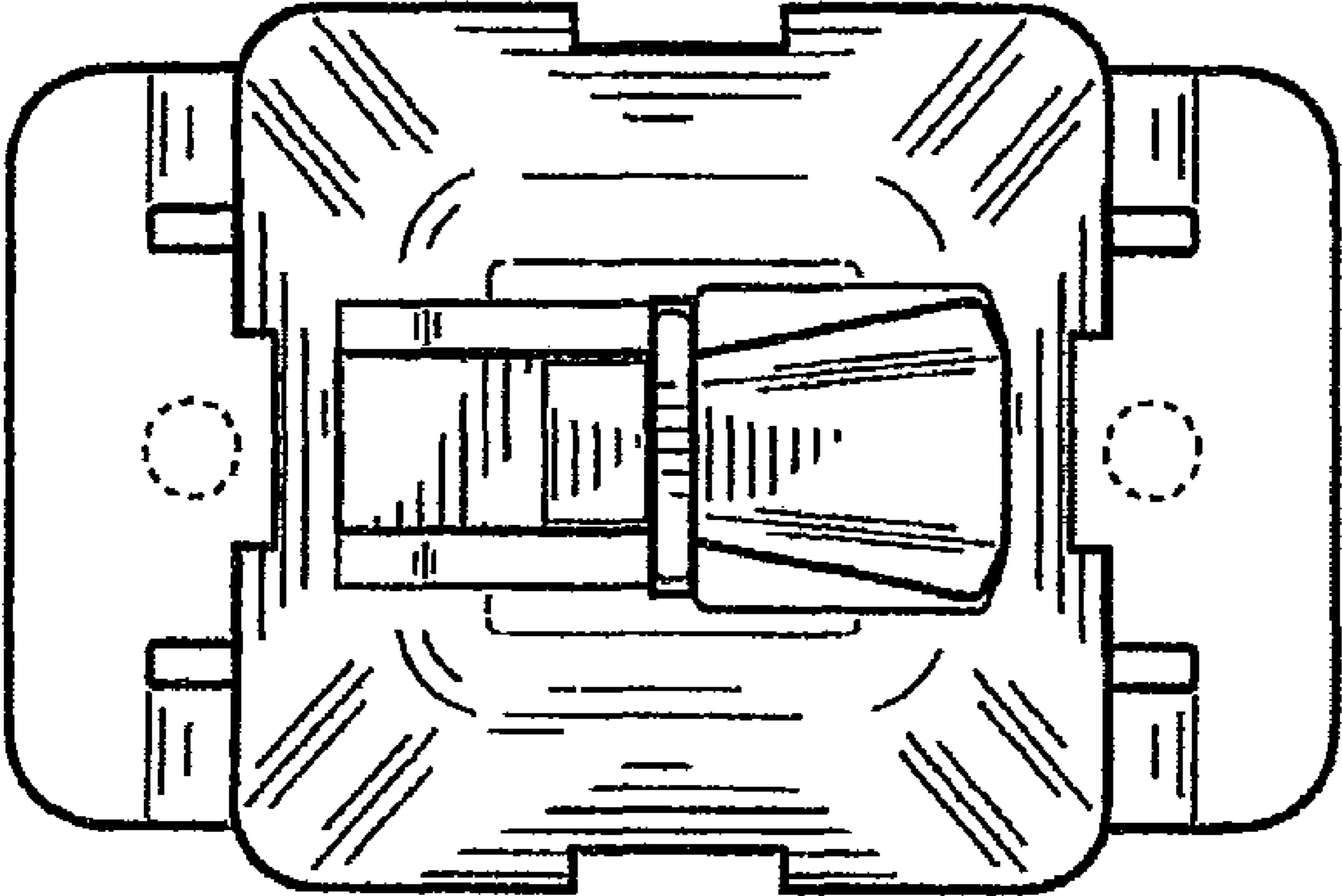


FIG. 6

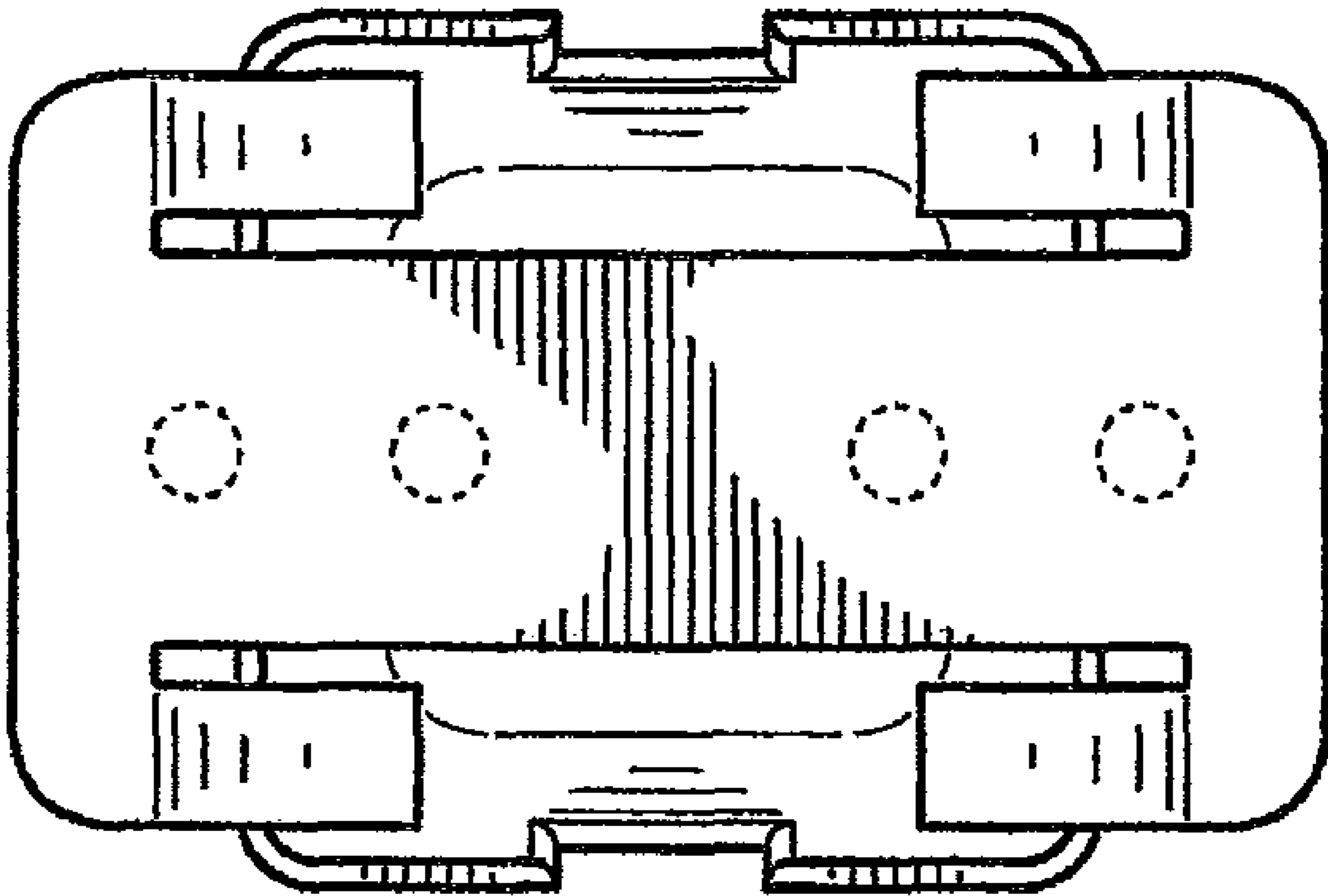


FIG. 7