



US00D630076S

(12) **United States Design Patent**
O’Connell

(10) **Patent No.:** **US D630,076 S**

(45) **Date of Patent:** **** Jan. 4, 2011**

(54) **TOOL HEAD**

(76) **Inventor:** **Tim O’Connell**, 10 Parkside Ct., Chico, CA (US) 95928

(**) **Term:** **14 Years**

(21) **Appl. No.:** **29/349,615**

(22) **Filed:** **Apr. 15, 2010**

(51) **LOC (9) Cl.** **08-05**

(52) **U.S. Cl.** **D8/105**

(58) **Field of Classification Search** D8/76,
D8/75, 55, 23, 14, 105, 89, 81, 79, 98, 11;
D24/145, 147; 7/170, 166, 145, 140, 138,
7/144; 30/276; 111/7.1

See application file for complete search history.

(56) **References Cited**

U.S. PATENT DOCUMENTS

D273,175 S *	3/1984	Ziaylek, Jr.	D8/81
D299,210 S *	1/1989	Zabarte	D8/105
D299,412 S *	1/1989	Zabarte	D8/76
D301,679 S *	6/1989	Kokkinos	D8/75
D336,601 S *	6/1993	Crawford	D8/98
D386,380 S *	11/1997	Villarreal	D8/78
D390,073 S *	2/1998	Caspall	D8/11
D507,167 S *	7/2005	Richardson	D8/81
D510,691 S *	10/2005	Storm	D8/76
D525,506 S *	7/2006	Downing, Jr.	D8/78
D588,894 S *	3/2009	Chen	D8/89
D595,555 S *	7/2009	Vanderbeek	D8/89
D601,400 S *	10/2009	Delia	D8/105

D604,139 S *	11/2009	Forsythe	D8/105
D605,020 S *	12/2009	Martone et al.	D8/79
D614,928 S *	5/2010	Forsythe	D8/48
D617,624 S *	6/2010	Tygh	D8/105

* cited by examiner

Primary Examiner—Austin Murphy

(74) *Attorney, Agent, or Firm*—Audrey A. Millemann; Weintraub Genshlea et al.

(57) **CLAIM**

The ornamental design for a tool head, as shown and described.

DESCRIPTION

FIG. 1 is a front and top perspective view of the tool head showing my new design;

FIG. 2 is a top view thereof;

FIG. 3 is a bottom view thereof;

FIG. 4 is a front view thereof;

FIG. 5 is a back view thereof;

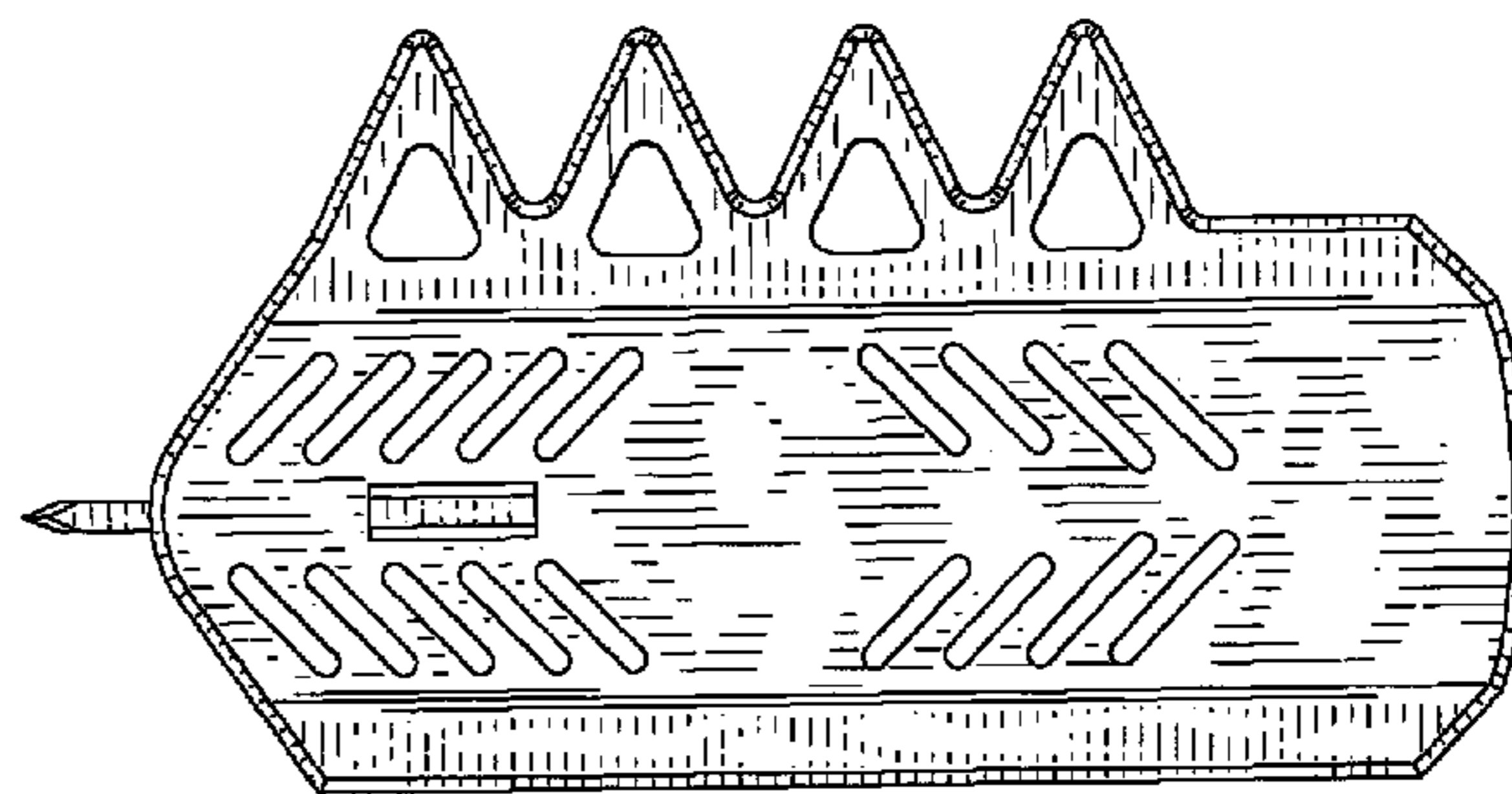
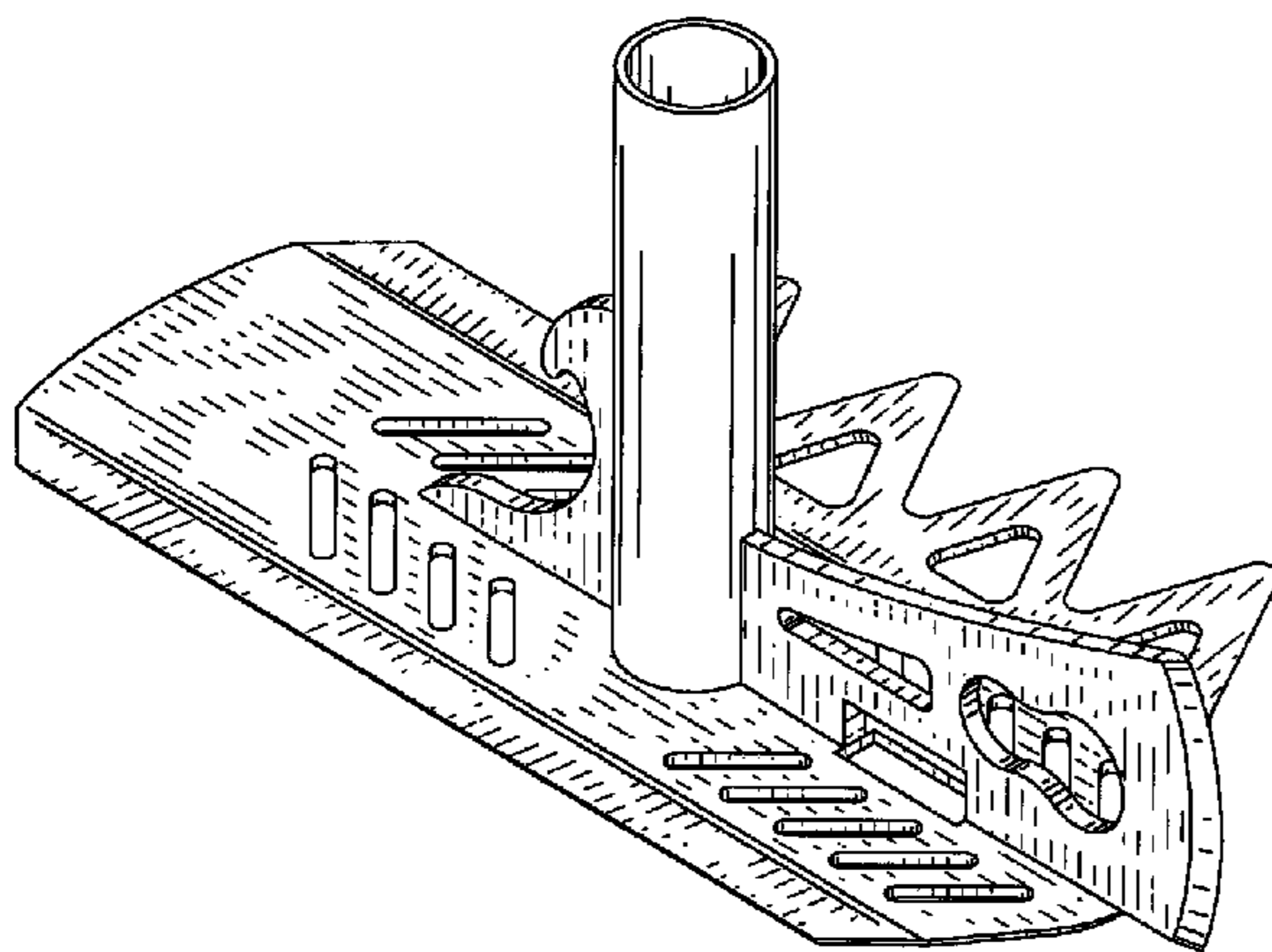
FIG. 6 is a left view thereof;

FIG. 7 is a right view thereof; and,

FIG. 8 is a front and top perspective view thereof showing the tool handle as unclaimed.

The broken lines shown in FIG. 8 represent the tool handle which forms no part of the claimed design.

1 Claim, 7 Drawing Sheets



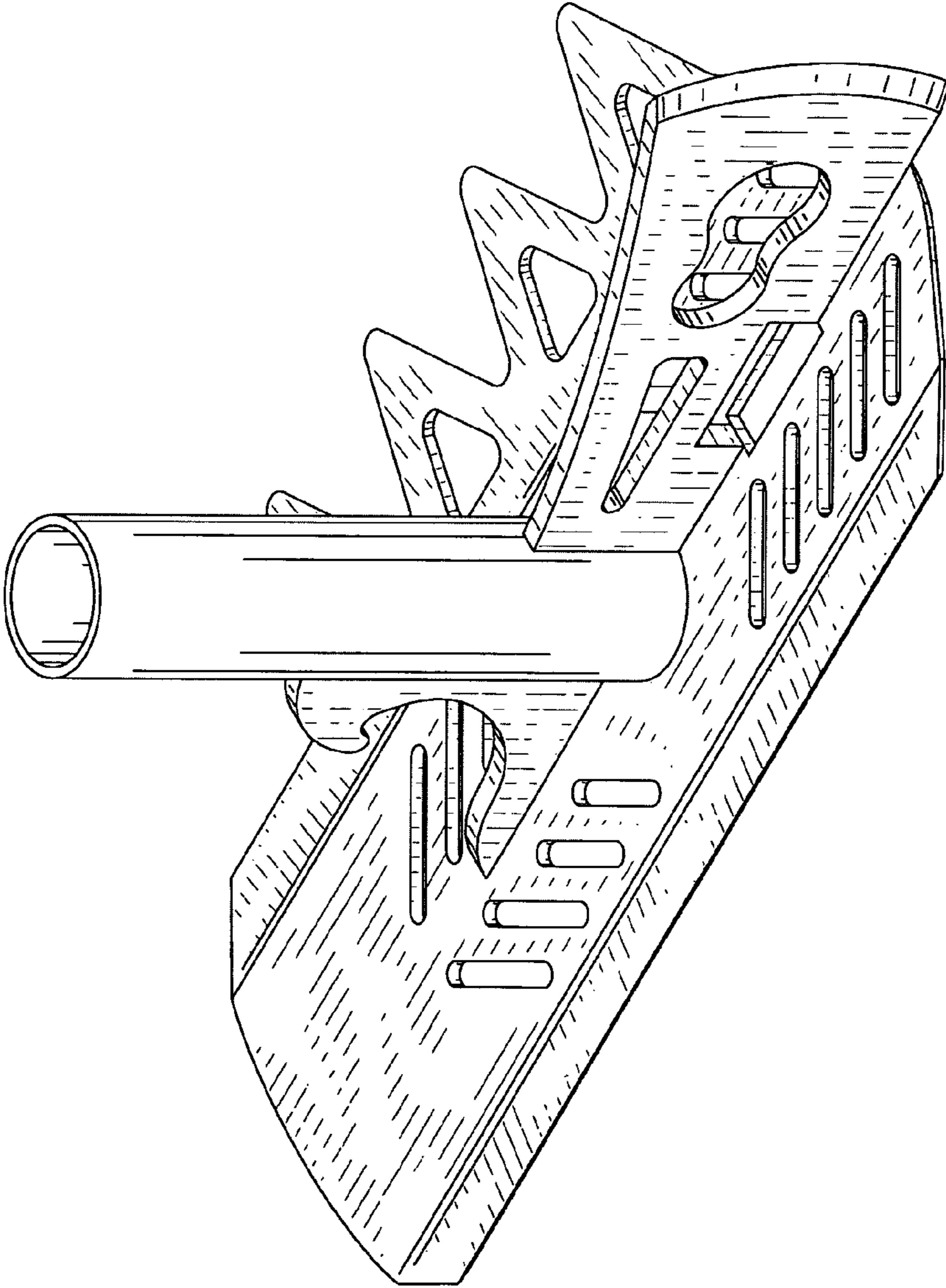


FIG. 1

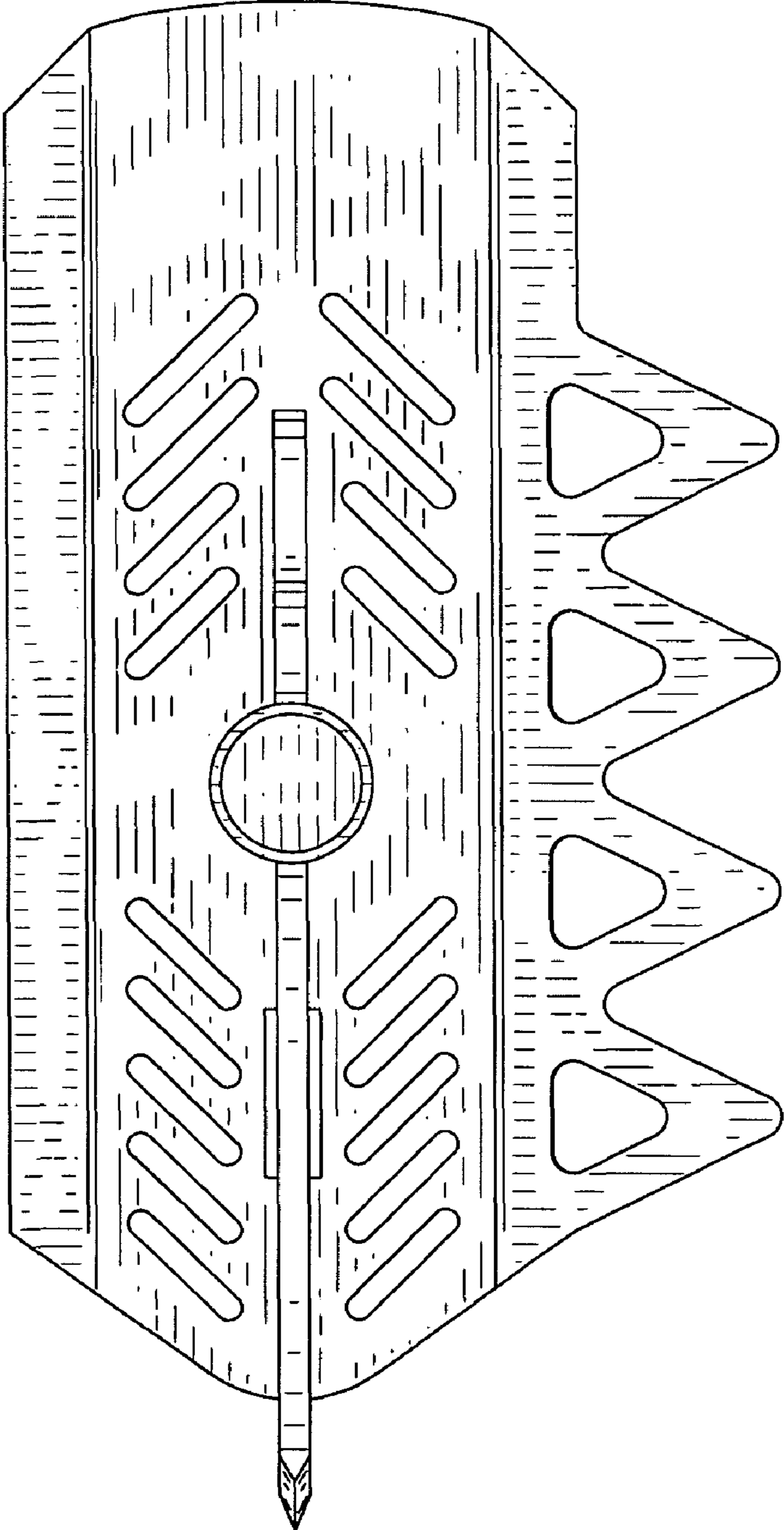


FIG. 2

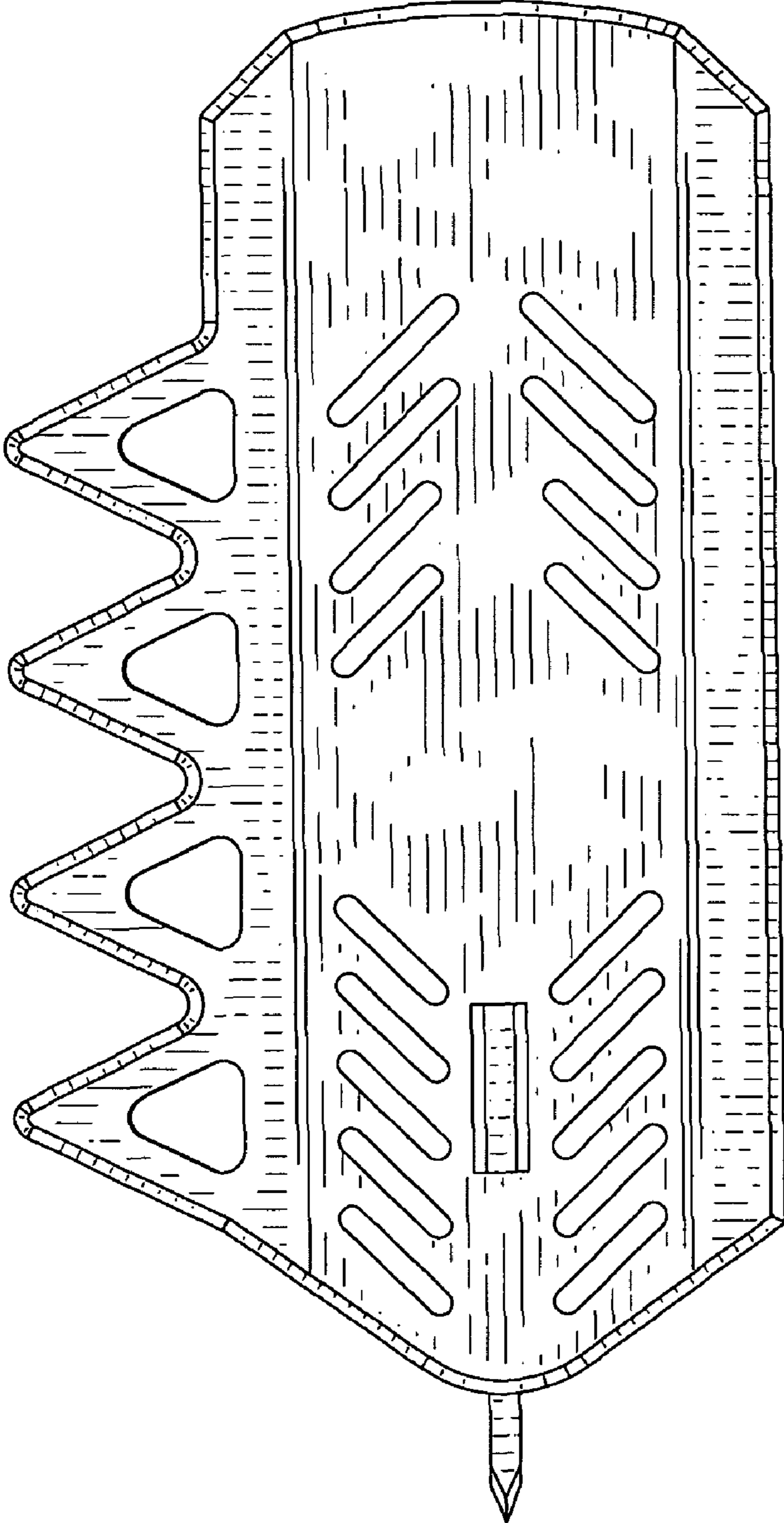


FIG. 3

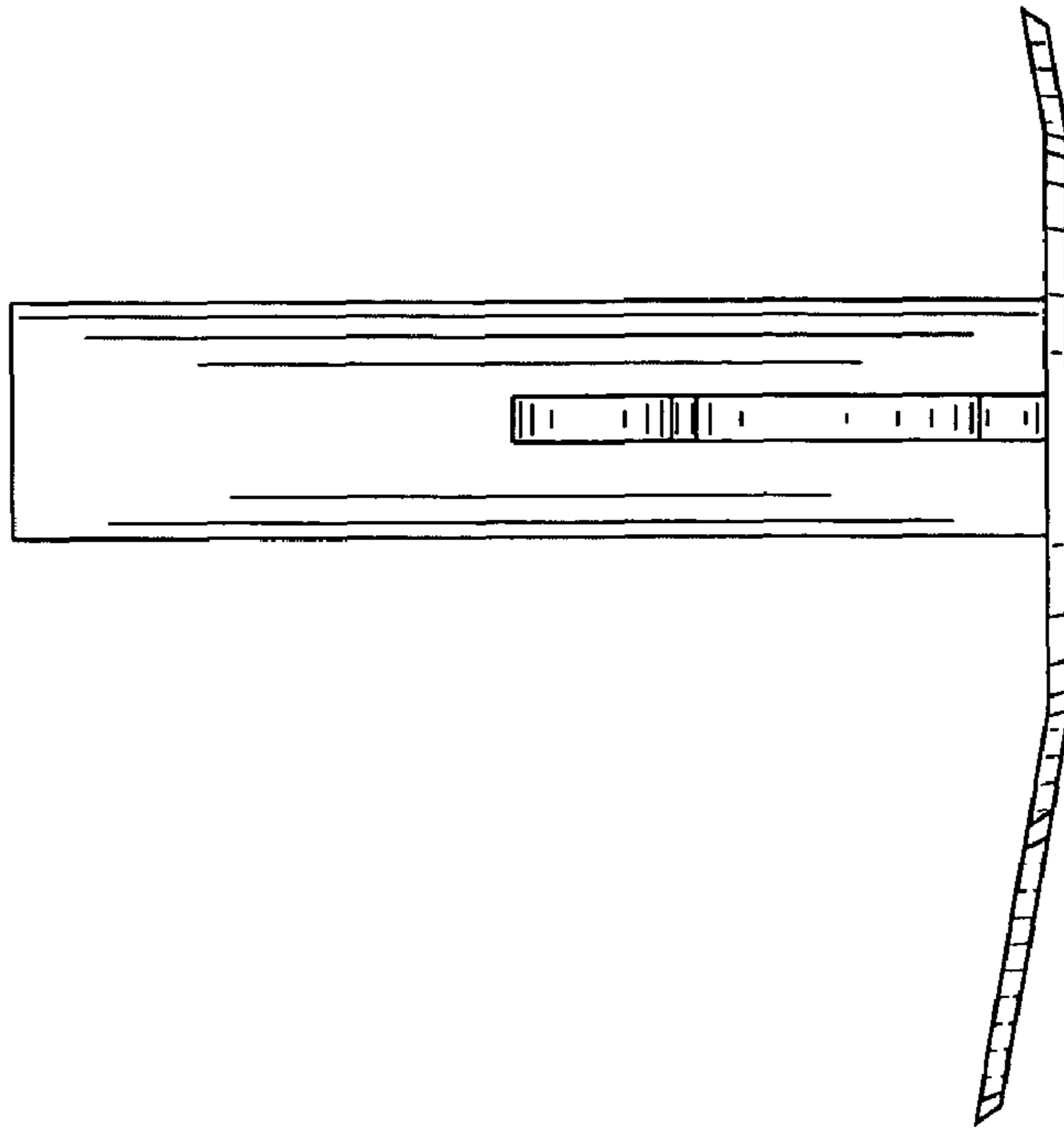


FIG. 5

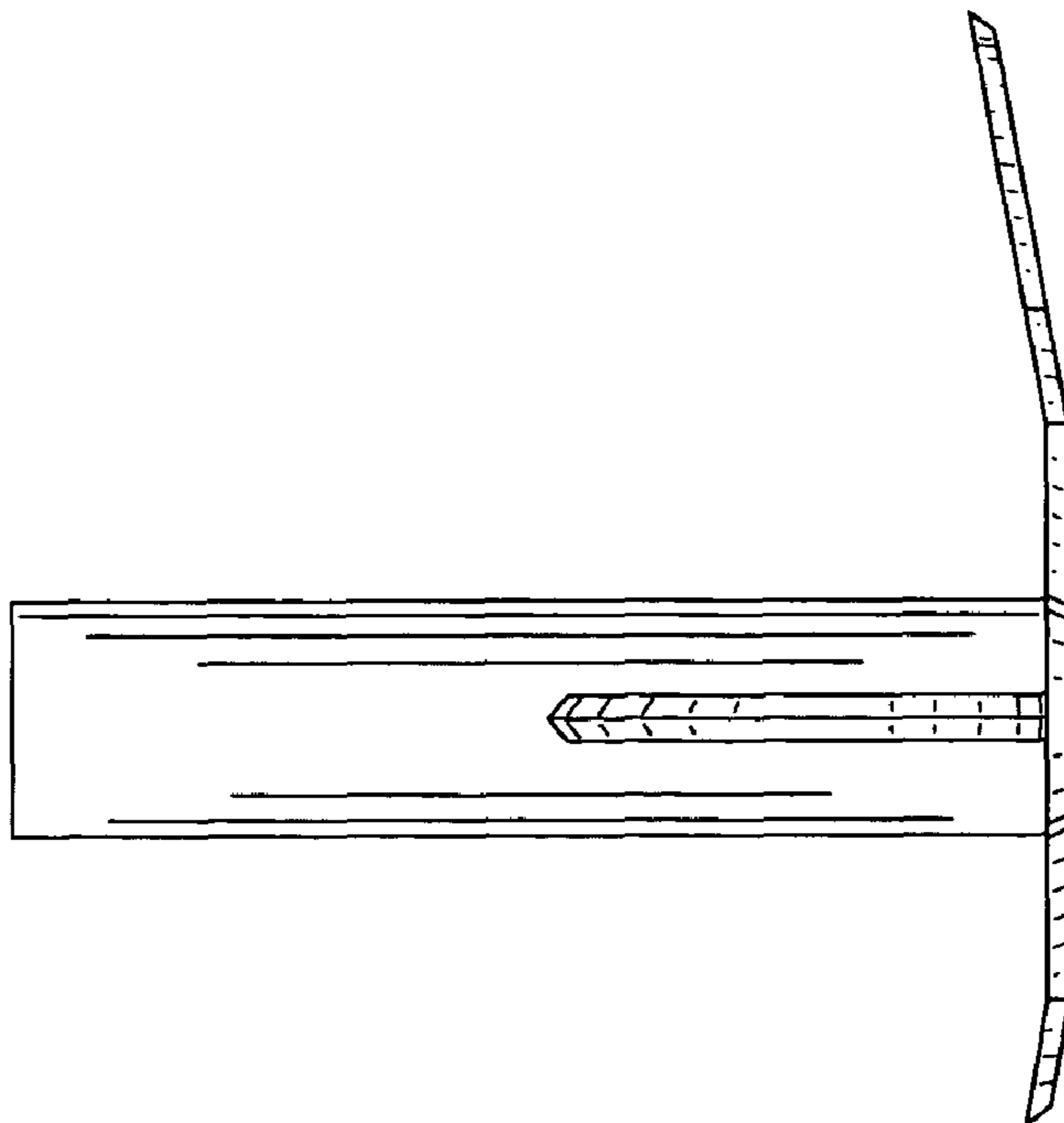


FIG. 4

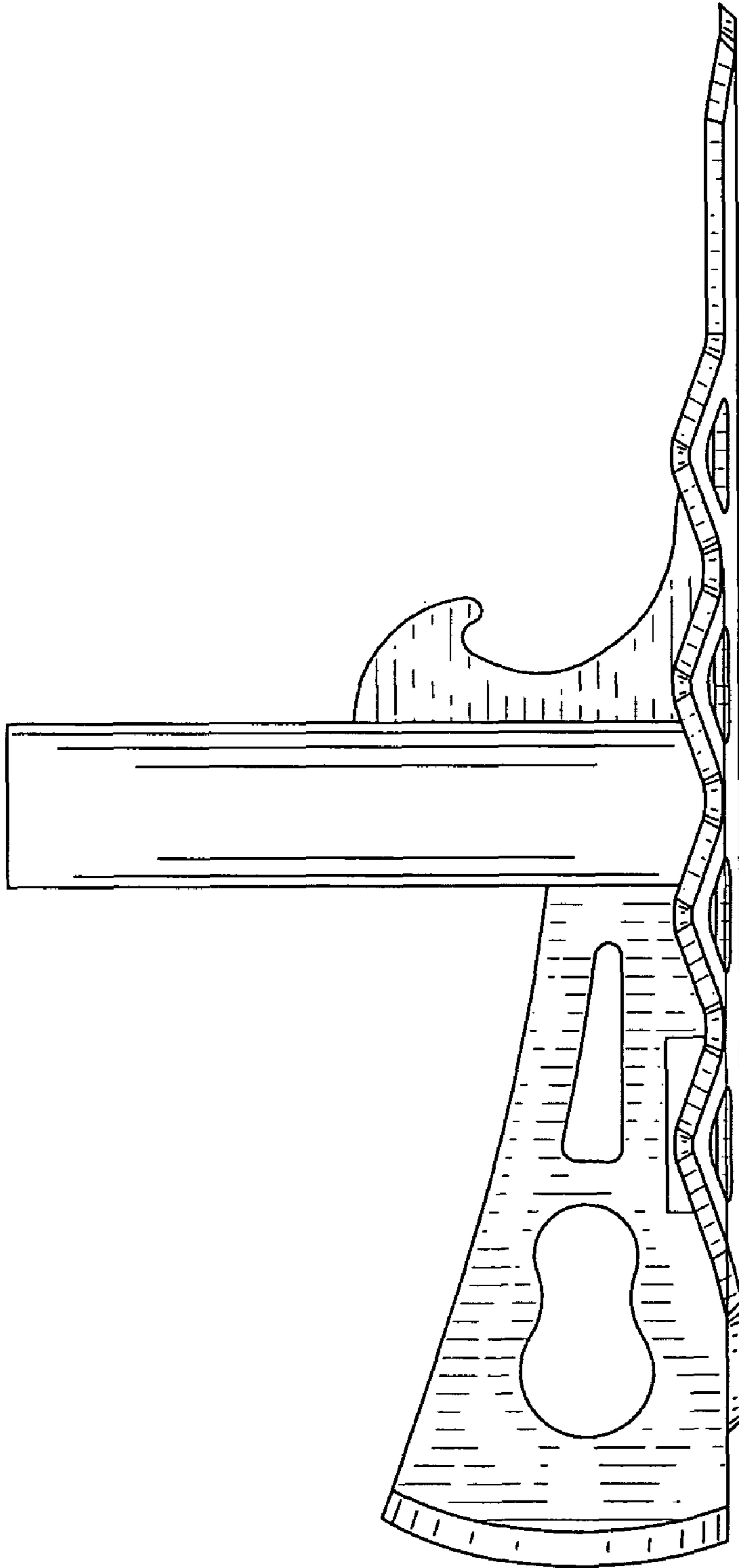


FIG. 6

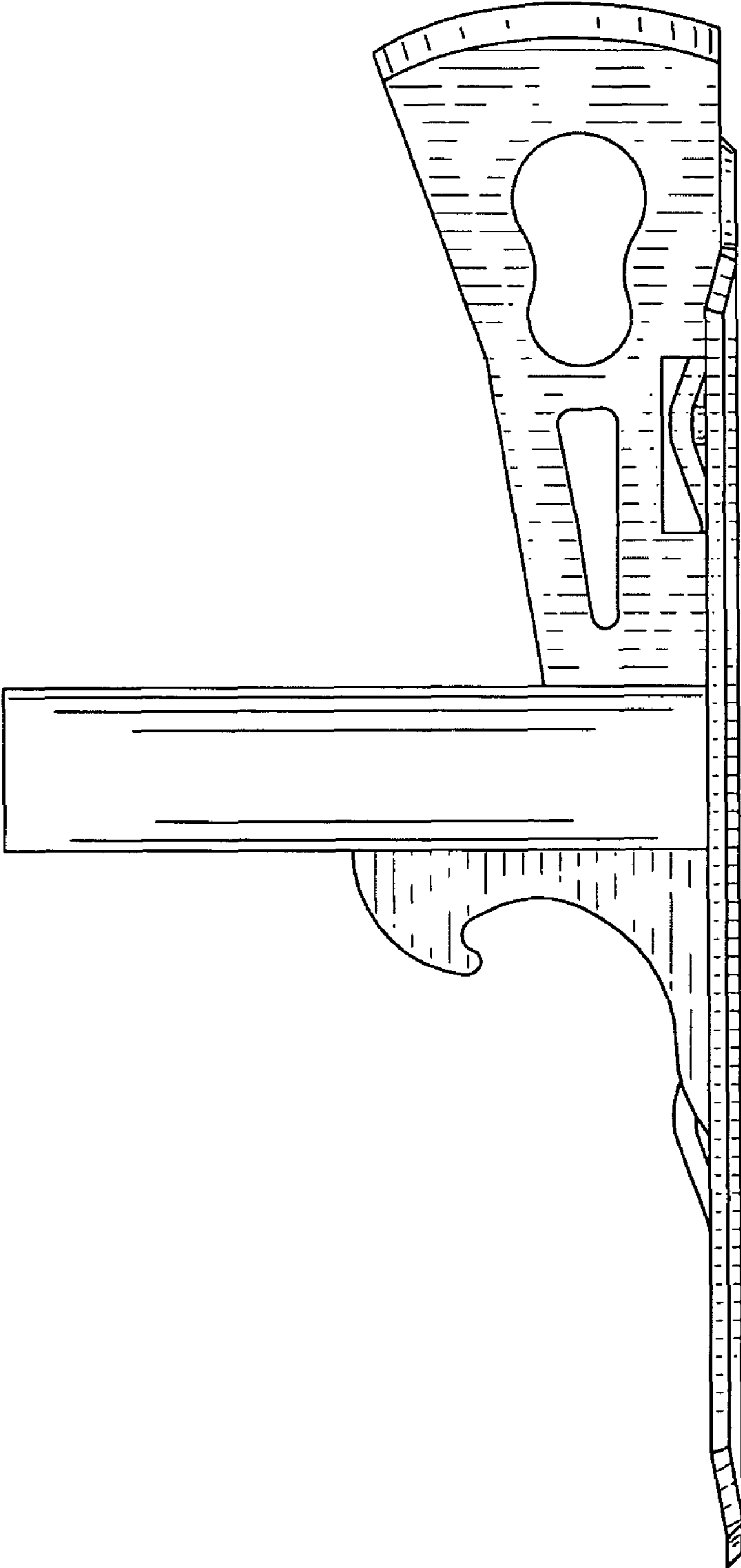


FIG. 7

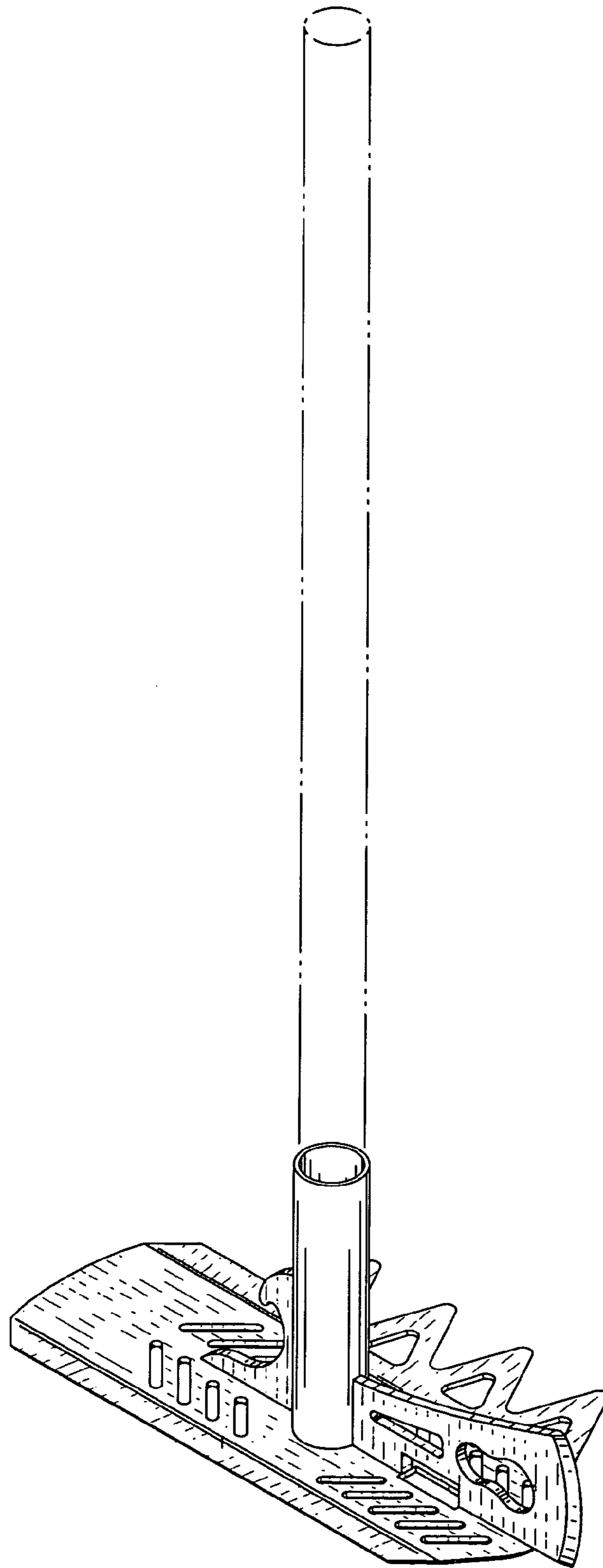


FIG. 8