



US00D630075S

(12) **United States Design Patent**  
**Wright**

(10) **Patent No.:** **US D630,075 S**  
(45) **Date of Patent:** **\*\* Jan. 4, 2011**

(54) **GRINDER**

(75) Inventor: **Stuart J. Wright**, Timonium, MD (US)

(73) Assignee: **Black & Decker Inc.**, Newark, DE (US)

(\*\*) Term: **14 Years**

(21) Appl. No.: **29/339,162**

(22) Filed: **Jun. 25, 2009**

(51) **LOC (9) Cl.** ..... **08-01**

(52) **U.S. Cl.** ..... **D8/62**

(58) **Field of Classification Search** ..... D32/15,  
D32/17, 19; D8/67, 62, 61; D4/102; 451/456,  
451/451, 359, 358, 357, 356, 355, 354, 353,  
451/351, 344; 310/50; 173/170  
See application file for complete search history.

(56) **References Cited**

**U.S. PATENT DOCUMENTS**

D301,830 S *	6/1989	Ogawa et al.	.....	D8/62
D328,841 S *	8/1992	Fushiya et al.	.....	D8/62
D347,153 S *	5/1994	Uneyama	.....	D8/62
D351,772 S *	10/1994	Price	.....	D8/62
D378,183 S *	2/1997	Dognini	.....	D8/62
D394,594 S *	5/1998	Chung	.....	D8/62
D402,870 S *	12/1998	Etter et al.	.....	D8/62
D408,244 S *	4/1999	Price	.....	D8/62
D423,898 S *	5/2000	Kelley	.....	D8/64
D437,199 S *	2/2001	Robson	.....	D8/62
D438,077 S *	2/2001	Schmid	.....	D8/61
D453,098 S *	1/2002	Pretzell	.....	D8/62

D479,452 S *	9/2003	Cho	.....	D8/62
D479,969 S *	9/2003	Robson et al.	.....	D8/62
D500,945 S *	1/2005	Wright	.....	D8/62
D528,389 S *	9/2006	Wu	.....	D8/62
D528,887 S *	9/2006	Wright	.....	D8/62
D531,868 S *	11/2006	Zurwelle	.....	D8/62
D544,326 S *	6/2007	Sterpka et al.	.....	D8/62
D568,704 S *	5/2008	Aglassinger	.....	D8/62
D592,026 S *	5/2009	Okuda et al.	.....	D8/62
D593,826 S *	6/2009	Aglassinger	.....	D8/62

\* cited by examiner

*Primary Examiner*—Austin Murphy

(74) *Attorney, Agent, or Firm*—Kofi Schulerbrandt; Scott B. Markow; Adan Ayala

(57) **CLAIM**

The ornamental design for a grinder, as shown and described.

**DESCRIPTION**

FIG. 1 is a perspective view of the grinder.

FIG. 2 is a front view thereof.

FIG. 3 is a rear view thereof.

FIG. 4 is a right view thereof.

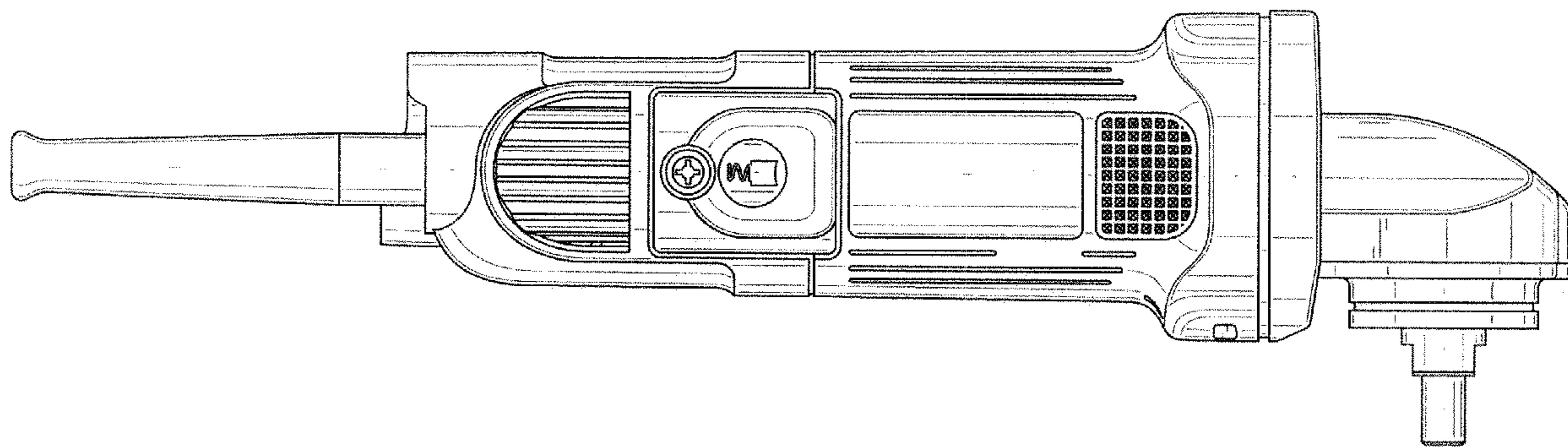
FIG. 5 is a left view thereof.

FIG. 6 is a top view thereof; and,

FIG. 7 is a bottom view thereof.

The broken lines shown in the drawings represent portions of the grinder that form no part of the claimed invention.

**1 Claim, 4 Drawing Sheets**



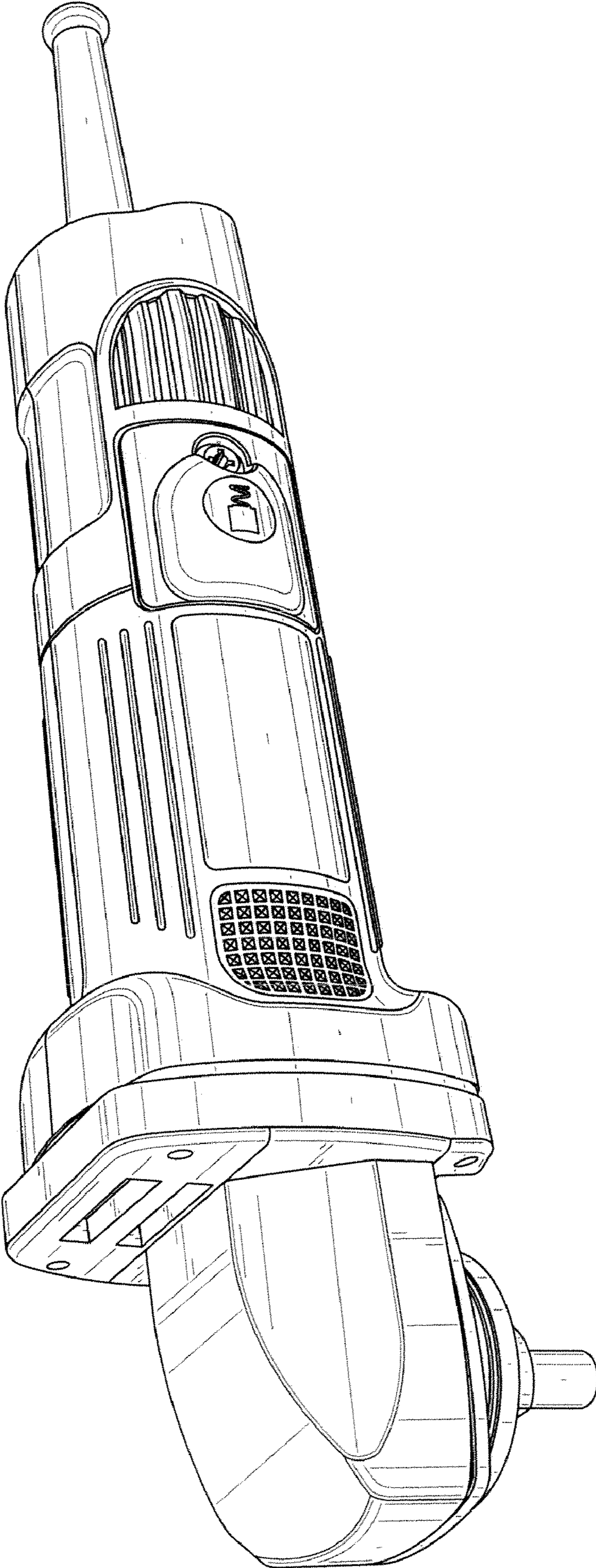


FIG. 1

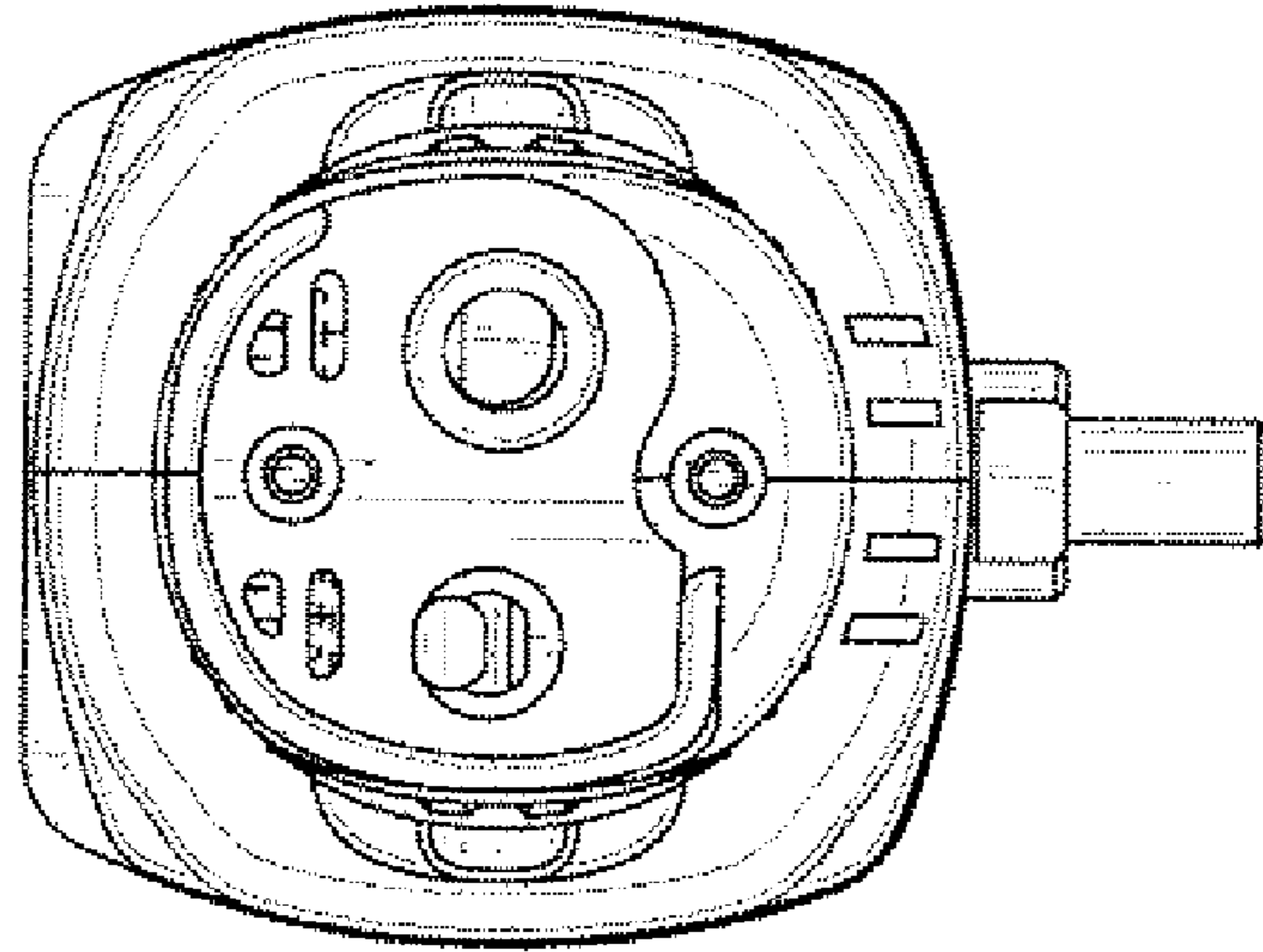


FIG. 2

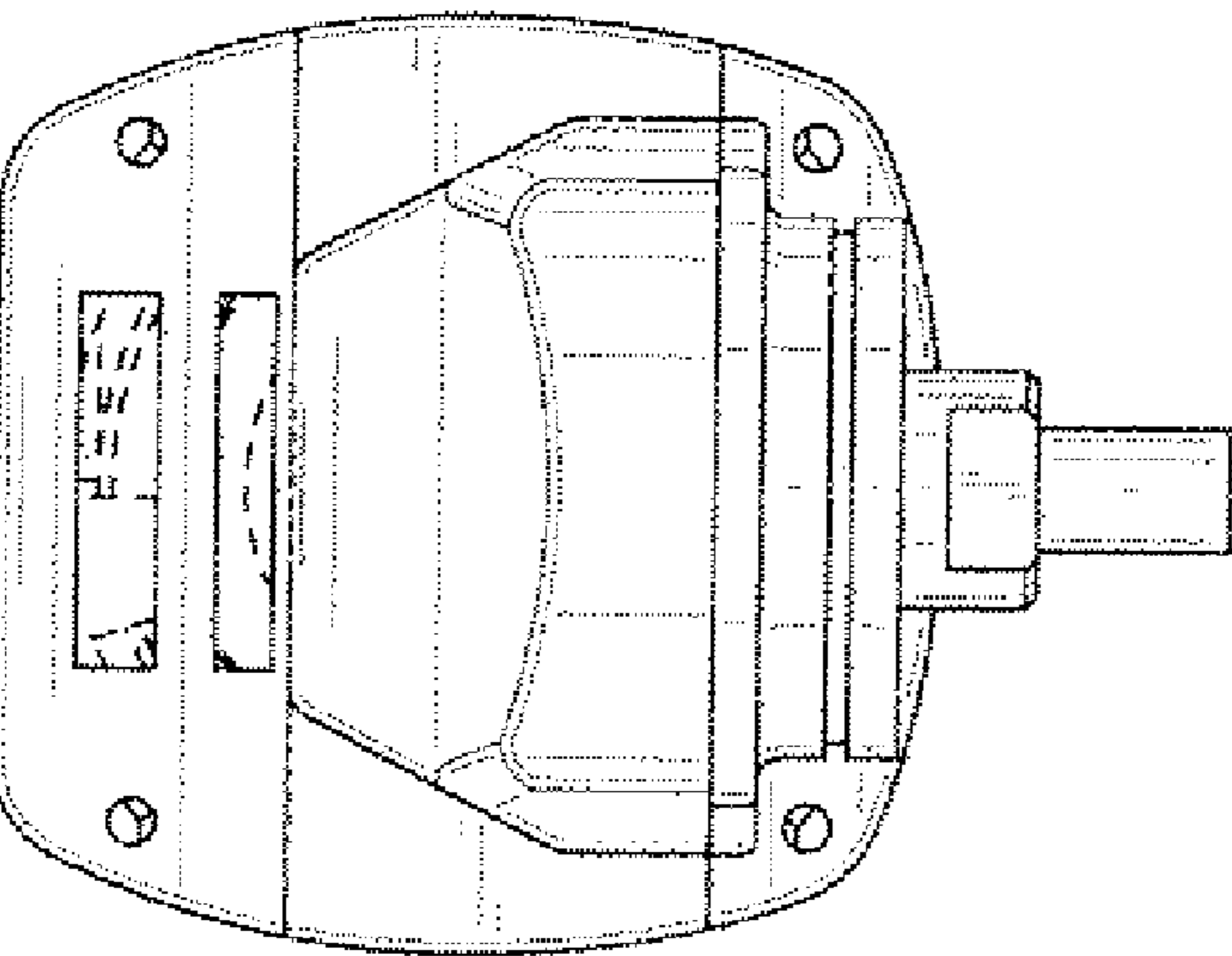


FIG. 3

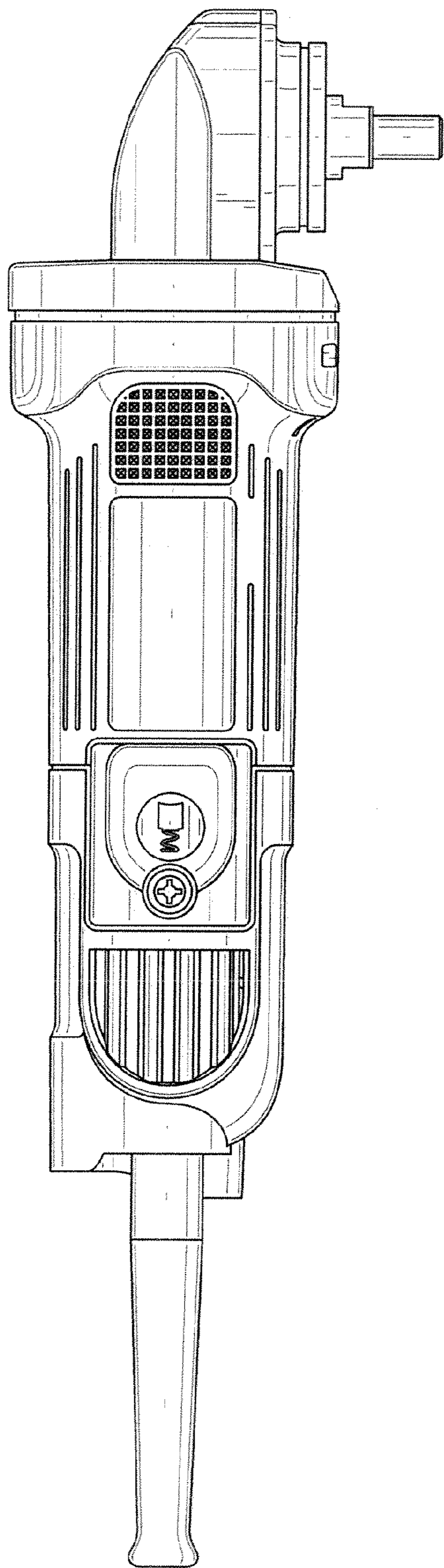


FIG. 4

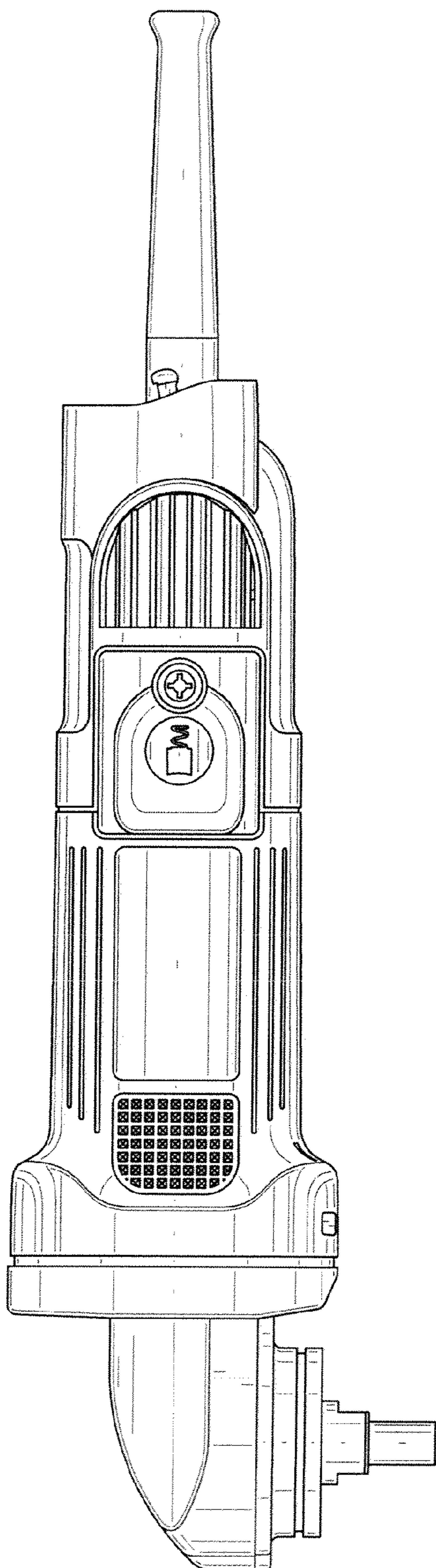


FIG. 5

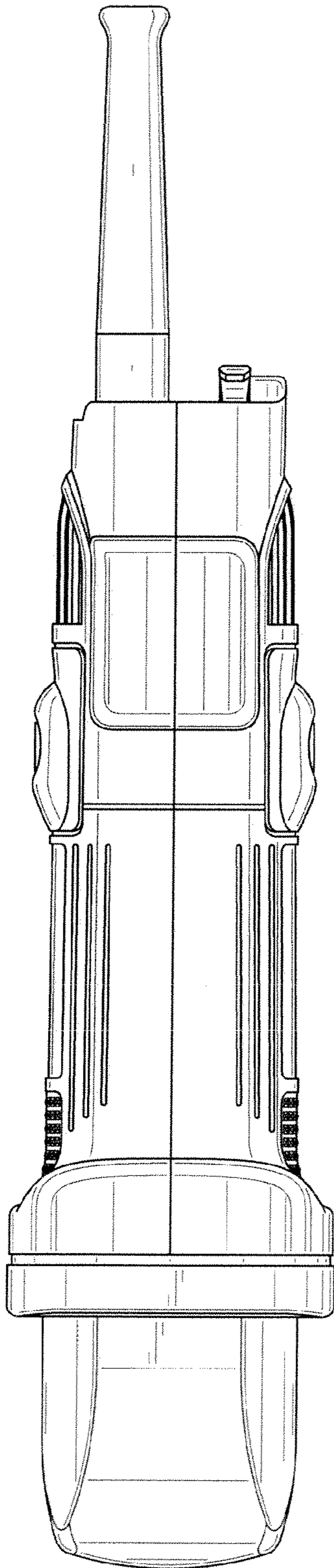


FIG. 6

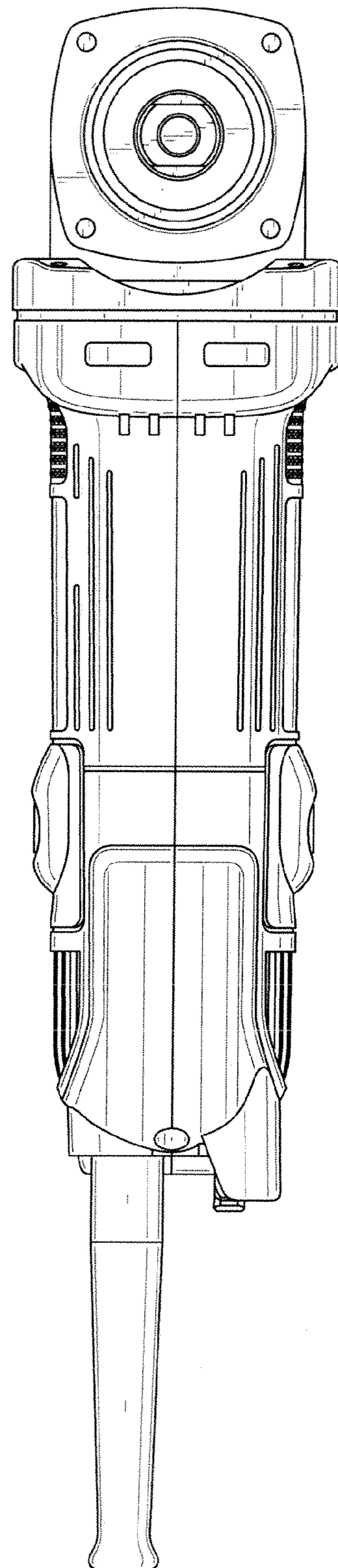


FIG. 7