

US00D630074S

(12) **United States Design Patent**
Wasielewski et al.

(10) **Patent No.:** **US D630,074 S**
(45) **Date of Patent:** **** Jan. 4, 2011**

(54) **ROTARY HAND TOOL WITH DEPTH GUIDE ATTACHMENT**

(75) Inventors: **Kevin Wasielewski**, Schaumburg, IL (US); **Timothy Baker**, Aurora, IL (US); **Josh Barhitte**, Chicago, IL (US); **Dale Selsor Di Iulio**, Saukville, WI (US); **Scott Micoley**, Cederburg, WI (US)

(73) Assignee: **Robert Bosch Tool Corporation**, Broadview, IL (US)

(**) Term: **14 Years**

(21) Appl. No.: **29/355,217**

(22) Filed: **Feb. 4, 2010**

(51) **LOC (9) Cl.** **08-03**

(52) **U.S. Cl.** **D8/61**

(58) **Field of Classification Search** D8/61,
D8/67, 70, 107, 64; 409/182, 180, 134, 132,
409/131; 144/48.6, 252.1, 154.5, 136.95,
144/153; 279/48

See application file for complete search history.

(56) **References Cited**

U.S. PATENT DOCUMENTS

D364,790	S	*	12/1995	Duennes	D8/61
5,829,931	A	*	11/1998	Doumani	409/182
D437,757	S	*	2/2001	Thomson et al.	D8/61
D438,076	S	*	2/2001	Wikle et al.	D8/61
D439,122	S	*	3/2001	Adler et al.	D8/61
D447,030	S	*	8/2001	Chen	D8/61
D455,326	S	*	4/2002	Schoen	D8/61
D470,735	S	*	2/2003	Heun	D8/61
D471,781	S	*	3/2003	Heun	D8/61
D473,119	S	*	4/2003	Evans	D8/61
D477,203	S	*	7/2003	Heun	D8/61
D477,758	S	*	7/2003	Chunn et al.	D8/64
D478,259	S	*	8/2003	Heun	D8/61
D478,487	S	*	8/2003	Heun	D8/61
D481,919	S	*	11/2003	Sham et al.	D8/64

D484,763	S	*	1/2004	Sham et al.	D8/64
6,886,643	B2	*	5/2005	Riley et al.	173/29
D526,176	S	*	8/2006	Lopano et al.	D8/61
D527,964	S	*	9/2006	Riley et al.	D8/61

(Continued)

Primary Examiner—Austin Murphy

(74) *Attorney, Agent, or Firm*—Greer, Burns & Crain, Ltd.

(57) **CLAIM**

The ornamental design for a rotary hand tool with depth guide attachment, as shown and described.

DESCRIPTION

FIG. 1 is a top left isomeric view of a rotary hand tool with depth guide attachment;

FIG. 2 is a left plan view of a rotary hand tool with depth guide attachment shown in FIG. 1;

FIG. 3 is a right plan view of the rotary hand tool with depth guide attachment shown in FIG. 1;

FIG. 4 is a front plan view of the rotary hand tool with depth guide attachment shown in FIG. 1;

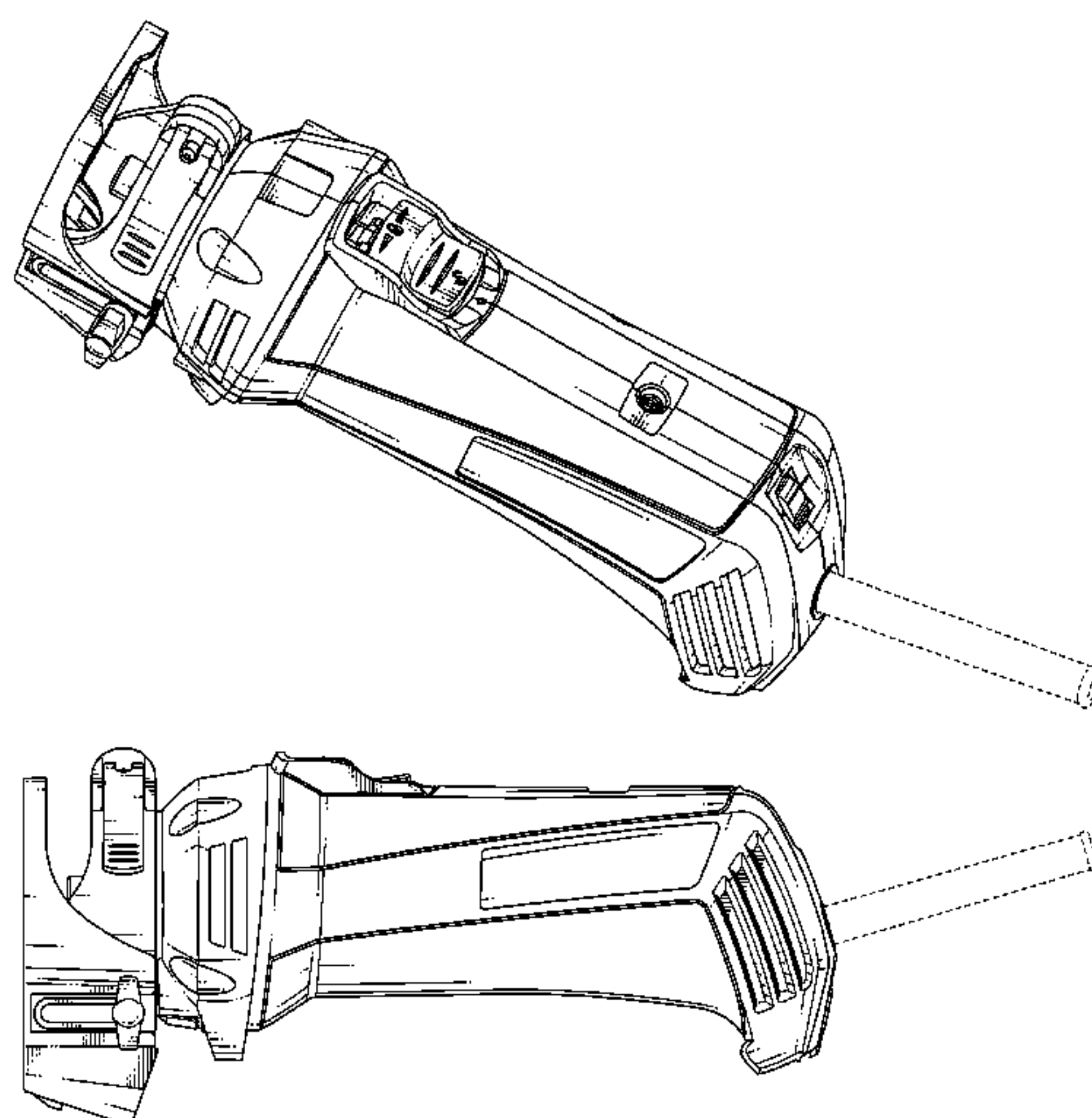
FIG. 5 is a rear plan view of the rotary hand tool with depth guide attachment shown in FIG. 1;

FIG. 6 is a bottom plan view of the rotary hand tool with depth guide attachment shown in FIG. 1; and,

FIG. 7 is a top plan view of the rotary hand tool with depth guide attachment shown in FIG. 1.

The broken lines shown in the drawings represent portions of the rotary hand tool with depth guide attachment that form no part of the claimed design.

1 Claim, 5 Drawing Sheets



US D630,074 S

Page 2

U.S. PATENT DOCUMENTS							
D538,614 S *	3/2007	Aglassinger	D8/61	D598,260 S *	8/2009	Jerome et al.	D8/61
D570,172 S *	6/2008	Heun	D8/61	D619,436 S *	7/2010	Baker et al.	D8/61
D588,892 S *	3/2009	Van Wambeke	D8/64	2004/0222600 A1 *	11/2004	Jacobs et al.	279/48
				2009/0165892 A1 *	7/2009	Baker et al.	144/153
						* cited by examiner	

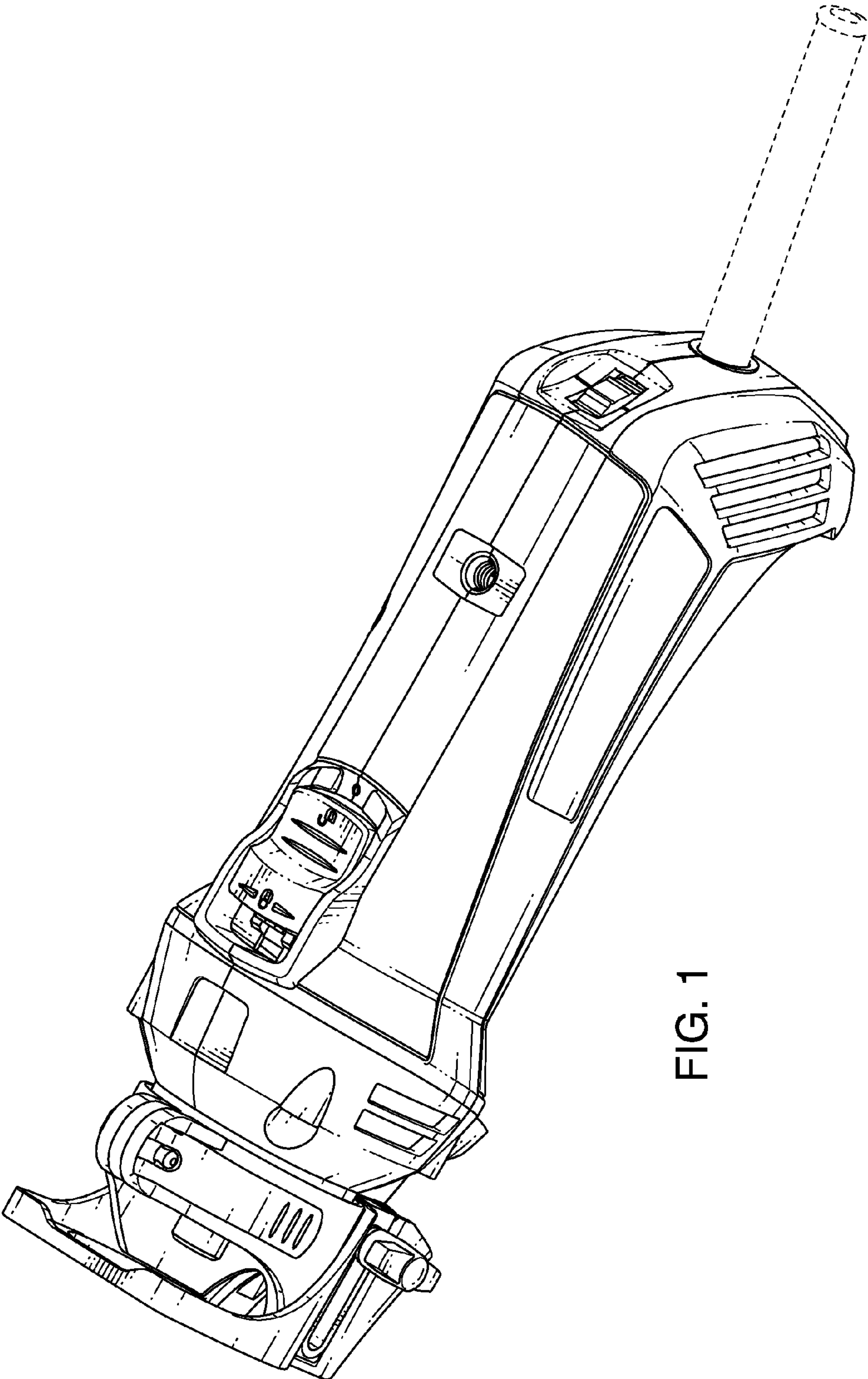


FIG. 1

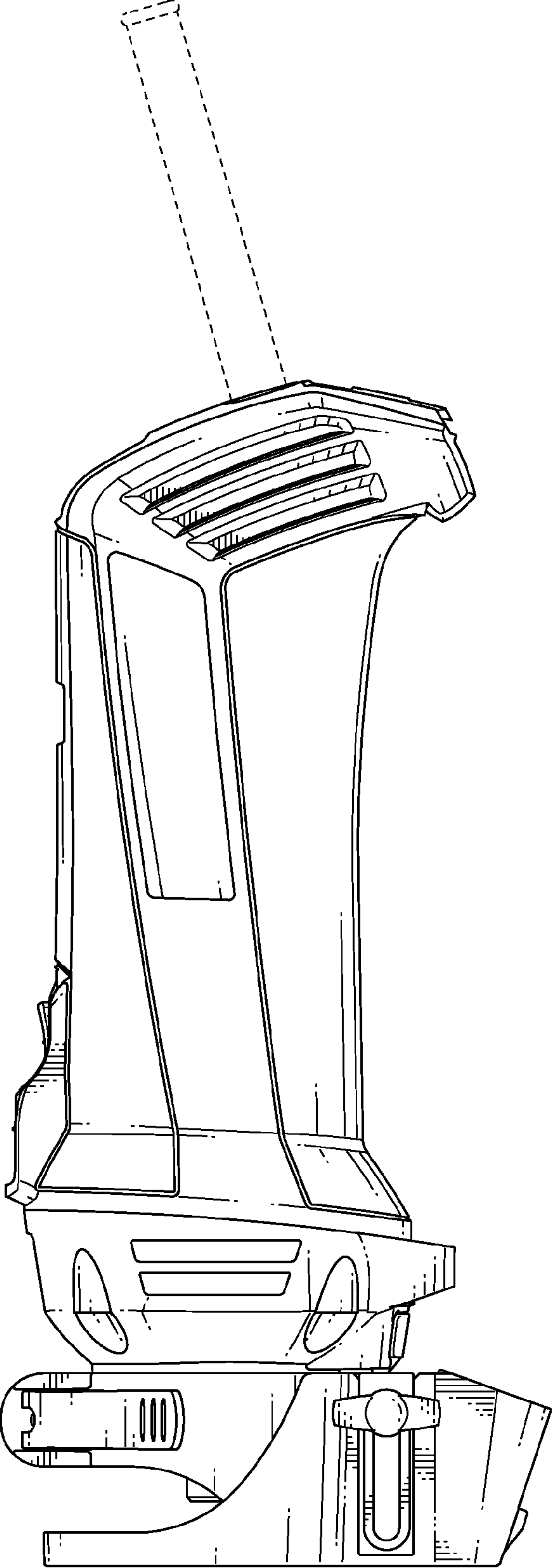


FIG. 2

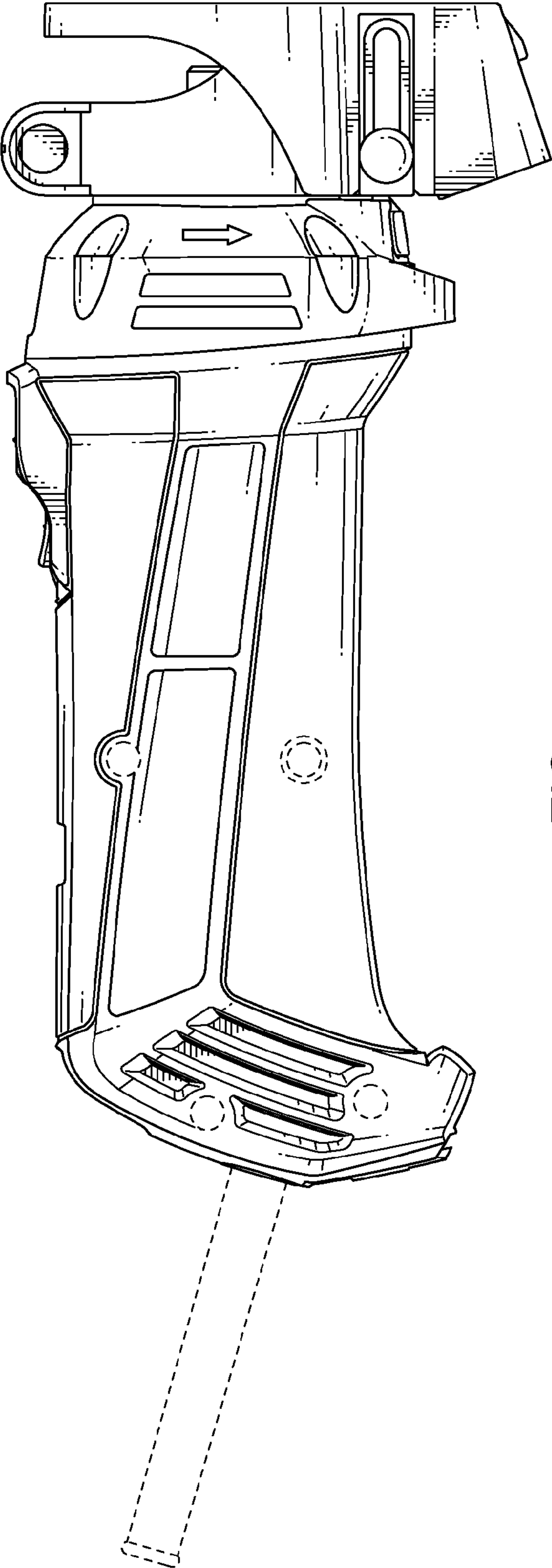


FIG. 3

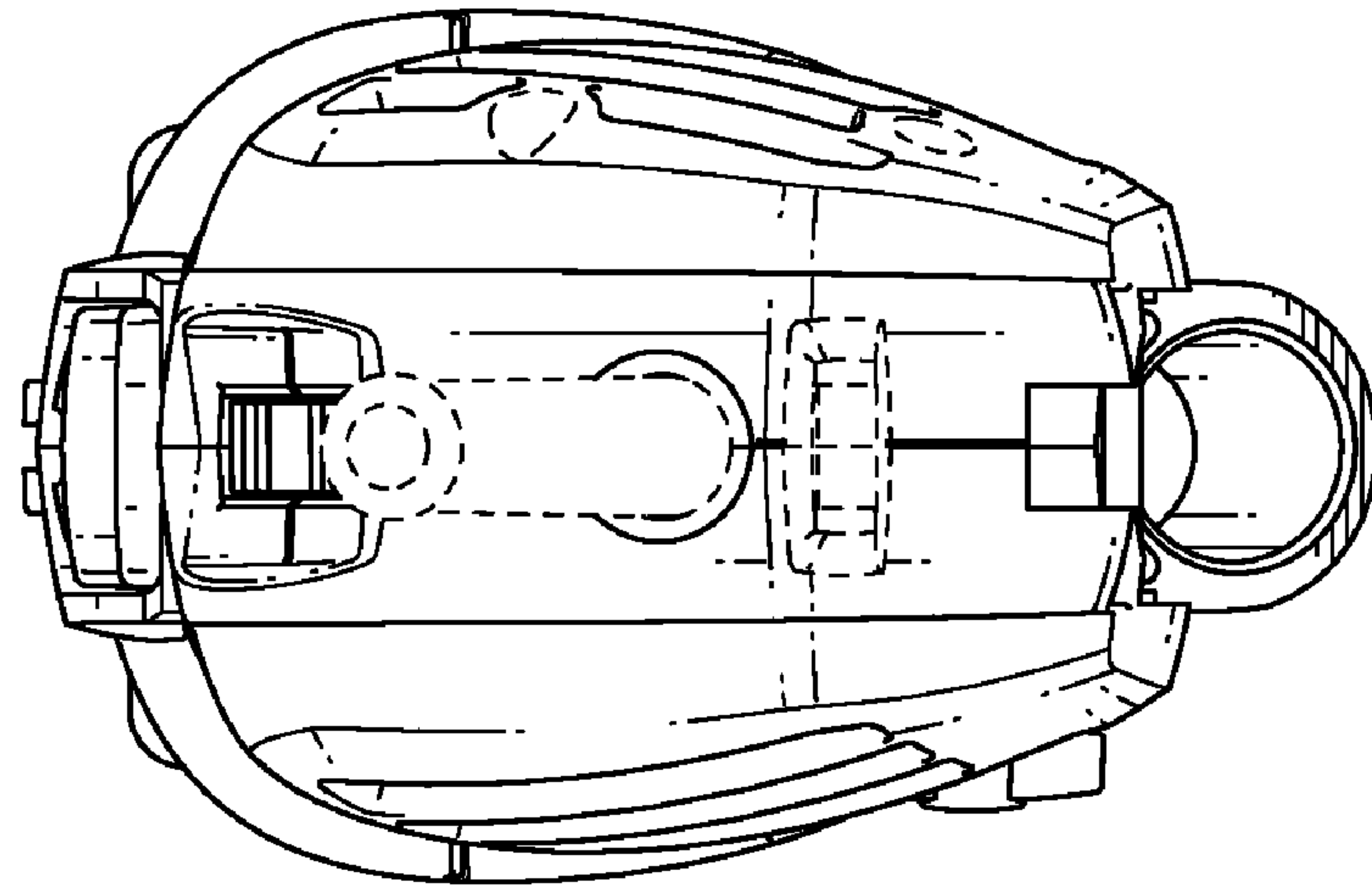


FIG. 5

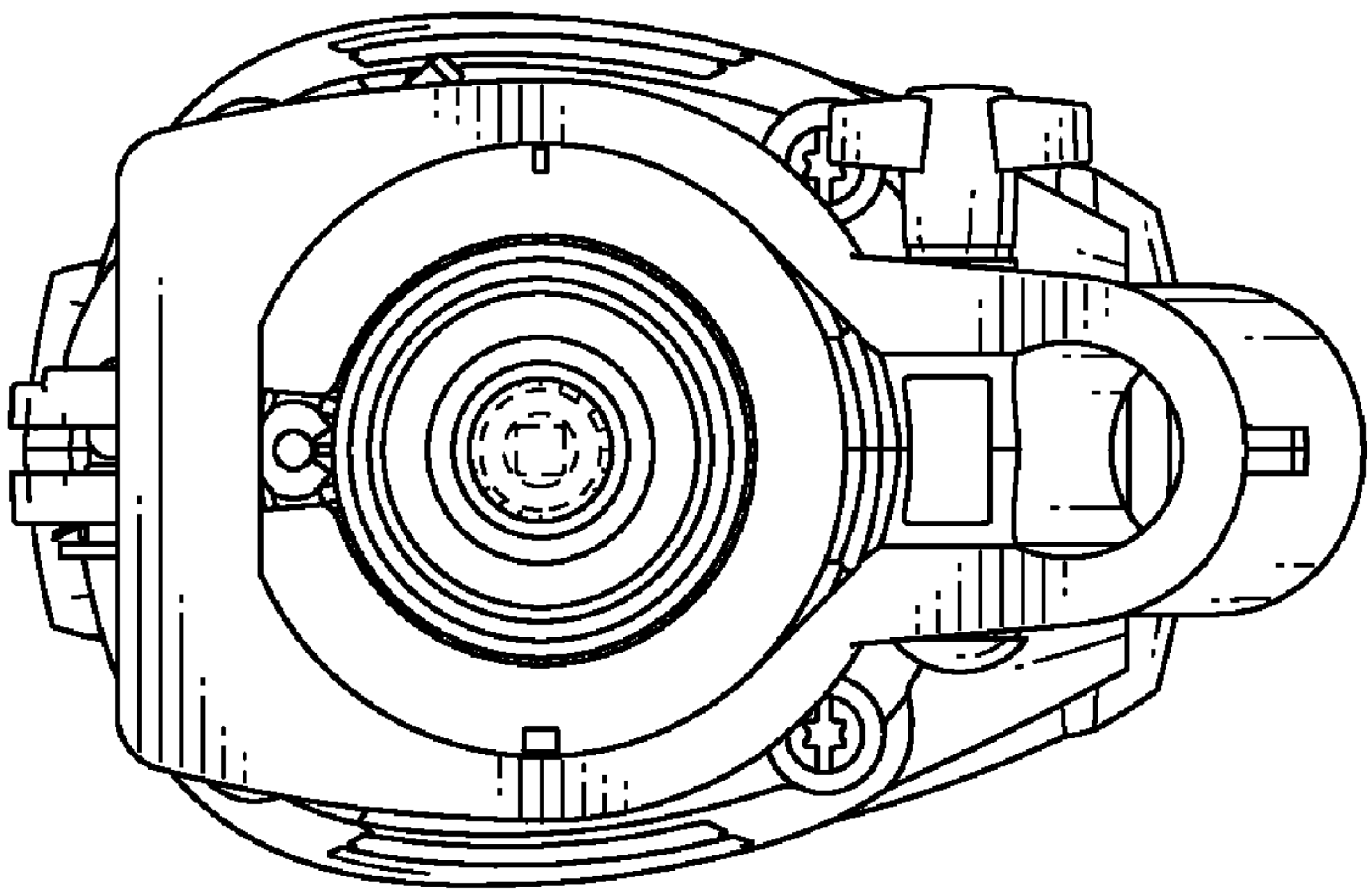


FIG. 4

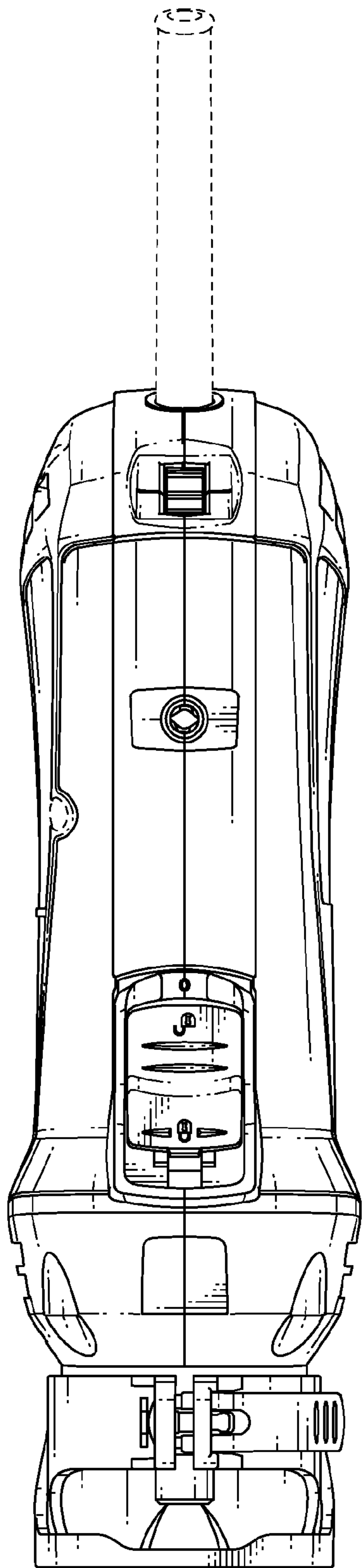


FIG. 7

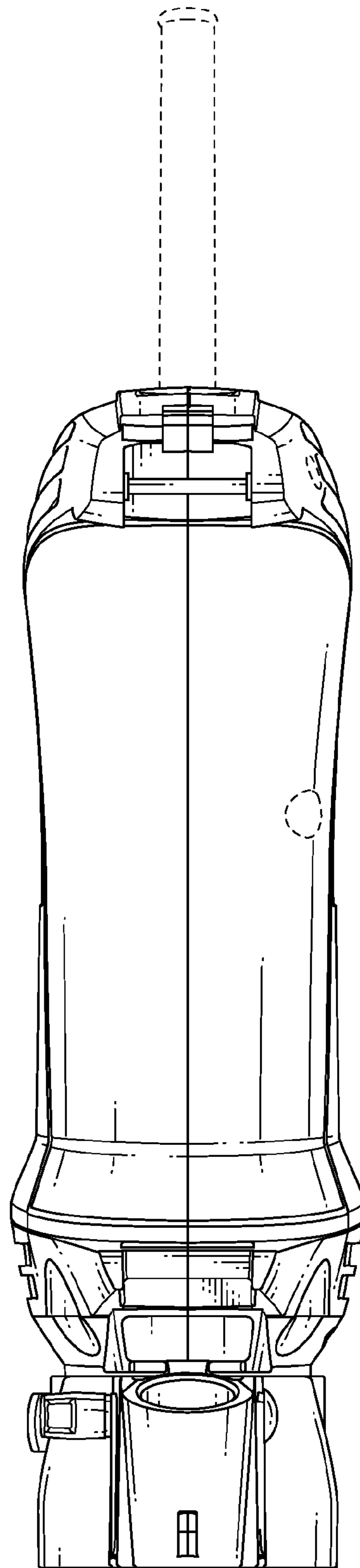


FIG. 6