



US00D630072S

(12) **United States Design Patent**
Krumpe et al.

(10) **Patent No.:** **US D630,072 S**
(45) **Date of Patent:** **** Jan. 4, 2011**

(54) **FASTENING TOOL**

(75) Inventors: **Geraint Krumpe**, Chicago, IL (US);
Michael Reedy, Chicago, IL (US);
Victor Hoernig, Lowell, IN (US); **Man**
Ki Yoo, Skokie, IL (US); **Gregg J.**
Malanga, Wayne, NJ (US); **Steven J.**
Mandel, New York, NY (US)

(73) Assignee: **Arrow Fastener Co., LLC**, Saddle
Brook, NJ (US)

(**) Term: **14 Years**

(21) Appl. No.: **29/358,043**

(22) Filed: **Mar. 22, 2010**

(51) **LOC (9) Cl.** **19-02**

(52) **U.S. Cl.** **D8/49**

(58) **Field of Classification Search** D8/48,
D8/49, 50, 61, 68, 69, 70; D19/72, 73, 65,
D19/69; D21/532; D24/145; 7/158, 160;
227/4, 5, 6, 7, 8, 120, 127, 128, 131, 132,
227/134, 144, 156, 175.1; 606/139, 143,
606/153, 219; 30/329

See application file for complete search history.

(56) **References Cited**

U.S. PATENT DOCUMENTS

1,687,871 A * 10/1928 Maynard 227/128
D91,703 S * 3/1934 Cavanagh D8/49
D144,673 S * 5/1946 Barclay D8/49
D148,032 S * 12/1947 Lindstrom D8/49
2,501,703 A * 3/1950 Wember 227/133

D168,517 S * 12/1952 Marano 81/492
2,655,963 A * 10/1953 Dell 81/492
5,107,390 A 4/1992 Goldner
5,165,587 A 11/1992 Marks
5,328,075 A 7/1994 Marks
5,407,118 A 4/1995 Marks
5,497,932 A 3/1996 Brewer et al.
5,511,716 A 4/1996 Marks
5,622,258 A 4/1997 Baublitz et al.
D384,257 S 9/1997 Marks et al.

(Continued)

Primary Examiner—Austin Murphy

(74) *Attorney, Agent, or Firm*—Nirav D. Parikh; Edgar A.
Zarins

(57) **CLAIM**

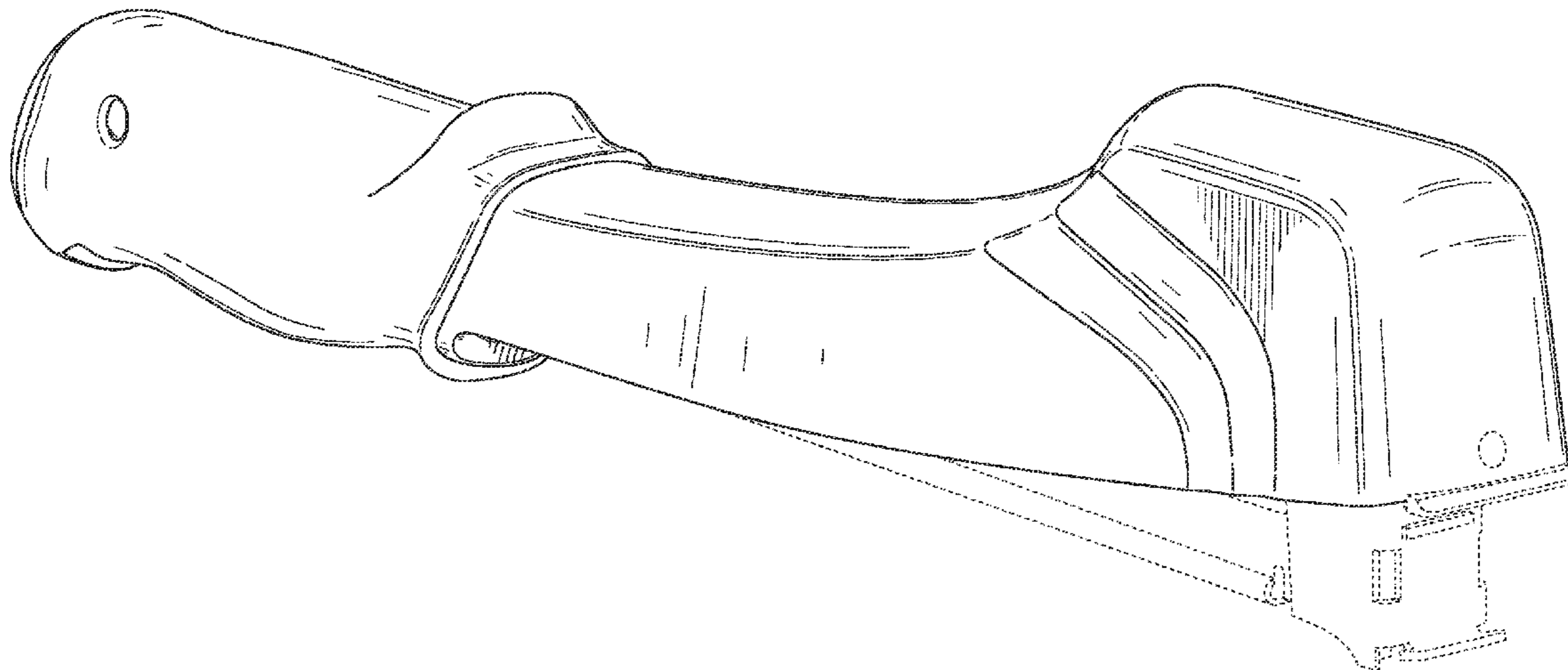
The ornamental design for a fastening tool, as shown and
described.

DESCRIPTION

FIG. 1 is a perspective view thereof;
FIG. 2 is a right side elevational view thereof;
FIG. 3 is a left side elevational view thereof;
FIG. 4 is a top plan view thereof;
FIG. 5 is a bottom plan view thereof;
FIG. 6 is a front elevational view thereof; and,
FIG. 7 is a rear elevational view thereof.

The broken lines are for illustrative purposes only and form
no part of the claimed design.

1 Claim, 4 Drawing Sheets



US D630,072 S

Page 2

U.S. PATENT DOCUMENTS

D384,258 S	9/1997	Marks et al.	D552,951 S	10/2007	Shor	
5,664,722 A	9/1997	Marks	D553,459 S	10/2007	Shor	
5,699,949 A	12/1997	Marks	D553,460 S	10/2007	Shor	
5,735,444 A	4/1998	Wingert	D560,987 S *	2/2008	Krushlin et al.	D8/49
5,765,742 A	6/1998	Marks	D561,550 S *	2/2008	Krushlin et al.	D8/49
5,816,470 A	10/1998	Plato et al.	7,344,026 B2	3/2008	Melgaard	
5,884,829 A	3/1999	Wingert	D573,089 S	7/2008	Mandel et al.	
5,975,401 A *	11/1999	Fealey 227/134	D573,428 S *	7/2008	Fraga 227/134	D8/49
5,988,478 A	11/1999	Marks	D574,205 S	8/2008	Krushlin et al.	
D417,375 S *	12/1999	Fealey et al. D8/49	D576,545 S	9/2008	Mandel et al.	
D432,883 S	10/2000	Wingert	D578,365 S	10/2008	Mandel et al.	
6,131,788 A	10/2000	Marks	D580,246 S	11/2008	Mandel et al.	
6,145,728 A	11/2000	Marks	7,503,400 B2	3/2009	Llewellyn	
6,173,877 B1	1/2001	Wingert	7,506,789 B2	3/2009	Shor	
6,355,892 B1	3/2002	Marks	D600,085 S	9/2009	Mandel et al.	
6,550,660 B1 *	4/2003	Chlebowski et al. 227/133	D600,986 S	9/2009	Betsalel et al.	
6,789,719 B2	9/2004	Shor	D604,576 S	11/2009	Betsalel et al.	
6,823,592 B1 *	11/2004	Rowe 30/329	7,637,407 B2	12/2009	Shor	
7,097,088 B2	8/2006	Shor	2006/0253996 A1 *	11/2006	Bianco 7/160	
			2008/0190983 A1 *	8/2008	Ebbesson et al. 227/8	

* cited by examiner

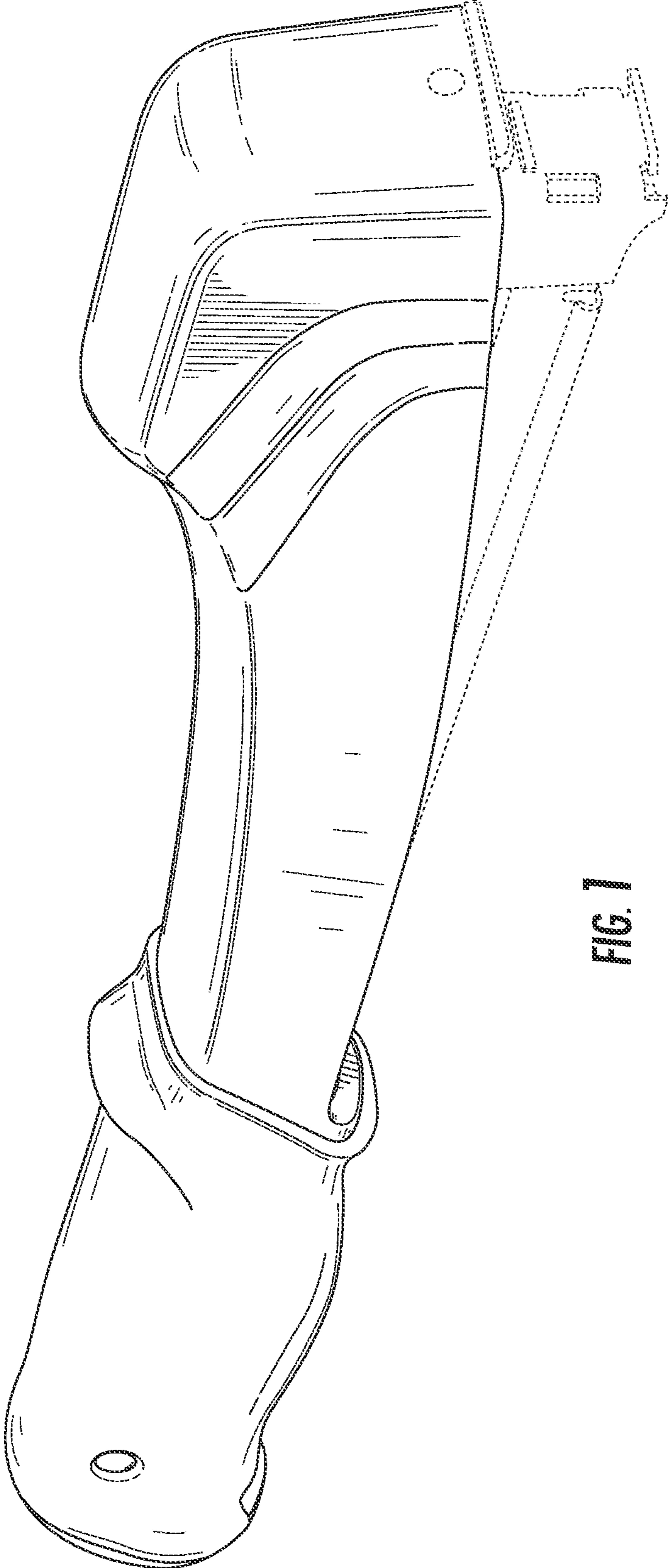


FIG. 1

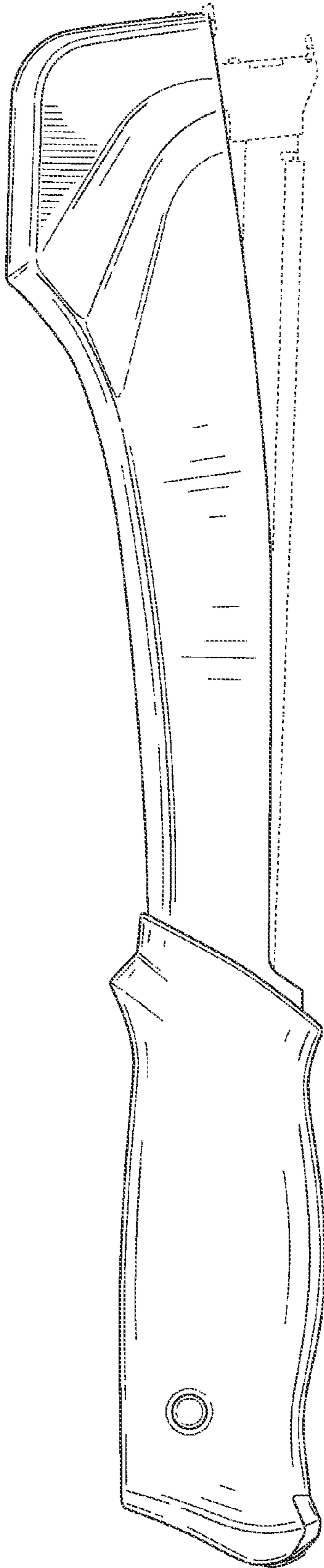


FIG. 2

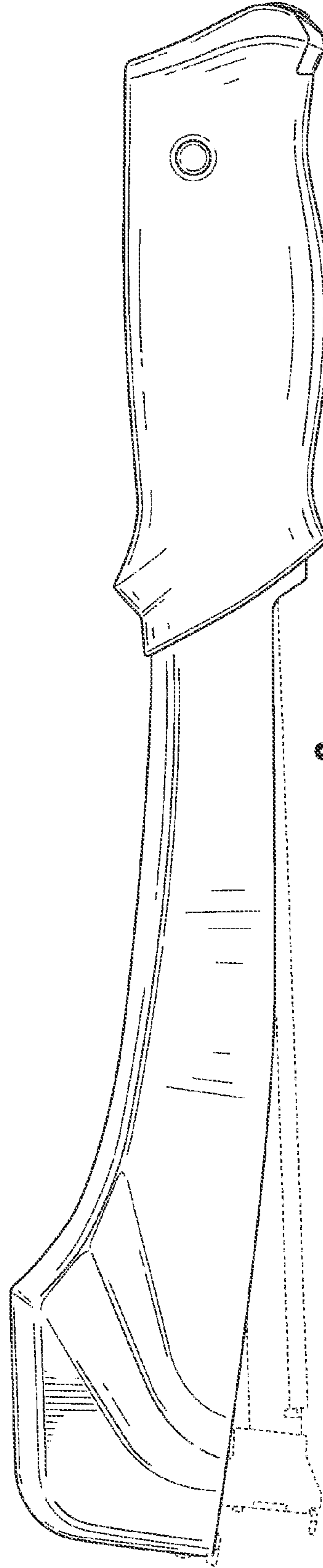


FIG. 3

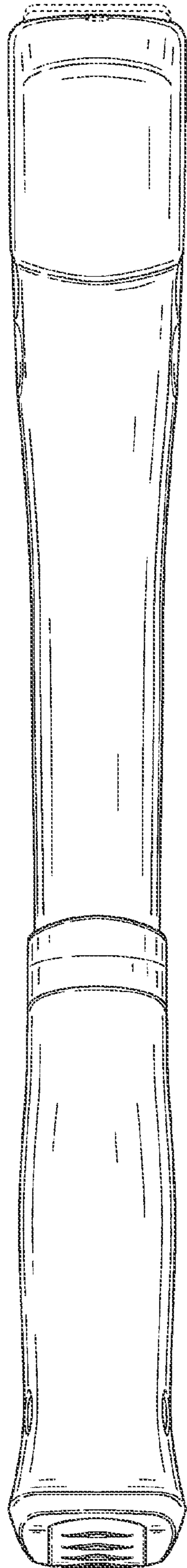


FIG. 4

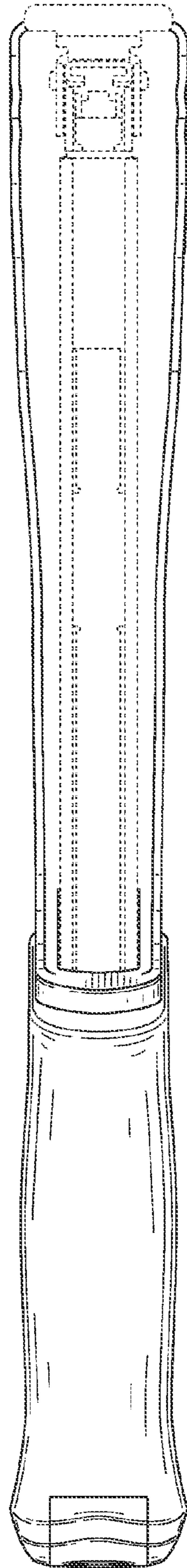


FIG. 5

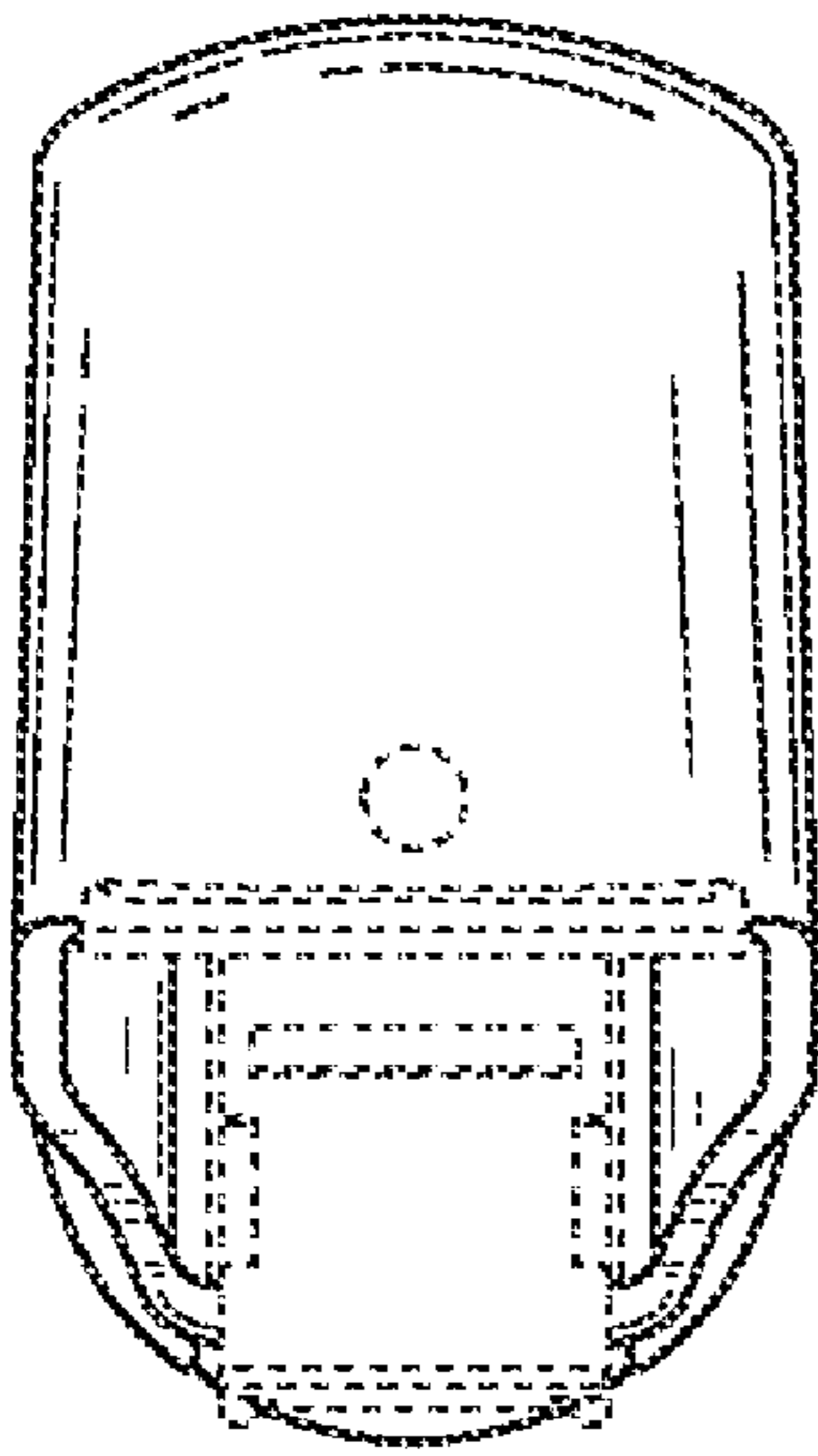


FIG. 6

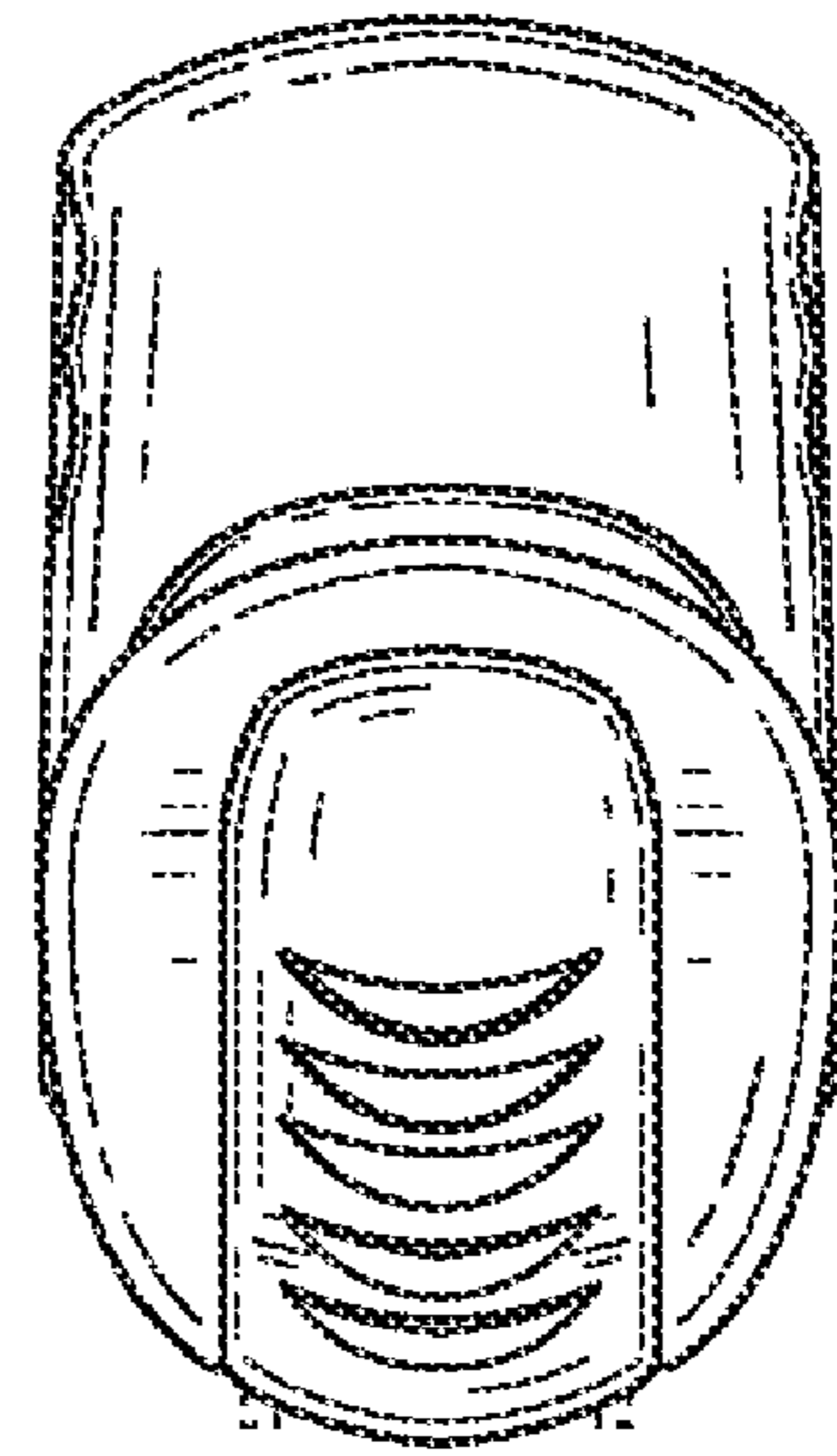


FIG. 7